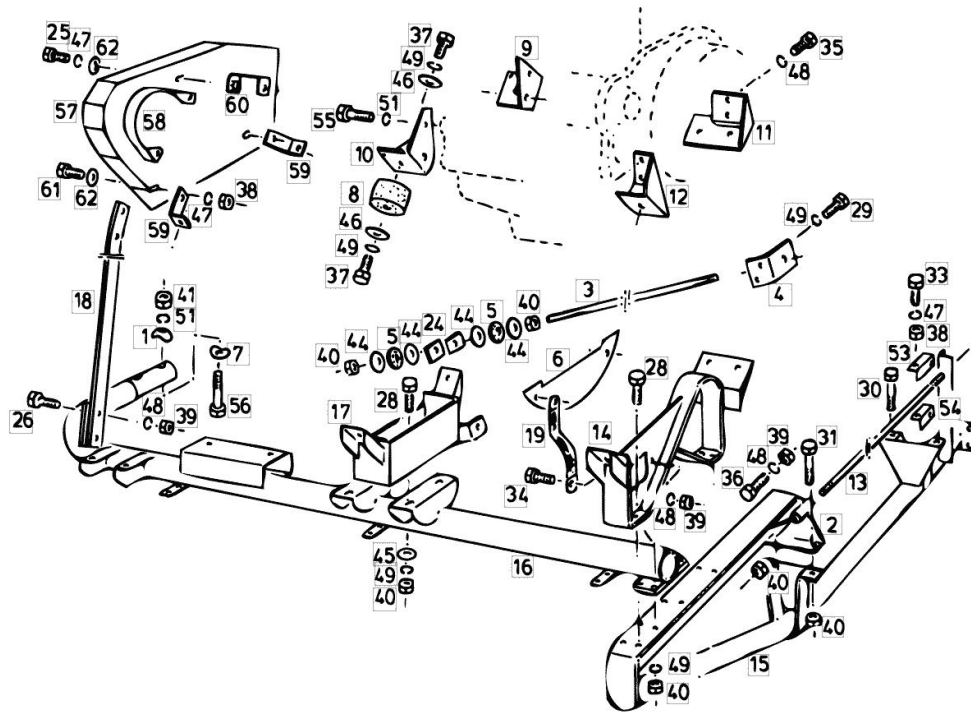


**ENGINE ASSEMBLY PARTS**

Fig.	P/n	QTY	Name
------	-----	-----	------

**Notes:**

MOTOR F4L 912 56 KW / 78 PS ----- [FARMLINER 3370]



1	06233965	3	washer 32x54
2	06233943	1	square
3	06233967	1	rod
4	06277798	1	square
5	06233969	4	disc
6	06507850	1	plate
7	06233414	1	disc
8	06234037	5	bearing
9	06277825	1	square L
10	06296946	1	square R
11	06539383	1	saddle sx/lh/li
12	06234008	1	saddle
13	06279468	1	rod
14	06539386	1	square
15	06259498	1	crosspiece
16	06536022	1	side member
17	06536018	1	square
18	06536029	1	bracket
19	06231883	1	electric cable
24	01107579	4	washer 14 d435
25	01112333	6	screw m 8 x 25, d933
26	01112447	2	screw m 10 x 40
28	01112538	10	screw m 12 x 35, d933
29	01112554	2	screw m 12 x 45
30	01111551	2	screw m12x95 d931
31	01112588	2	screw m12x100 d933
34	01112407	1	screw m 10 x 20, d933
35	01112418	4	screw m 10 x 25, d933
36	01112429	4	screw m 10 x 30, d933
37	01112502	8	screw m 12 x 20
38	01112824		nut m 8, d934
39	01102659		nut m 10, d934
40	01112858		nut m 12, d934
41	01112886		nut m 16
44	06214210	8	washer 13 x 40 x 5.0, zn
45	01133726	6	washer 13
46	01133726	8	washer 13
47	01102799		washer 8, d128
48	01102800		washer 10.2

**ENGINE ASSEMBLY PARTS**

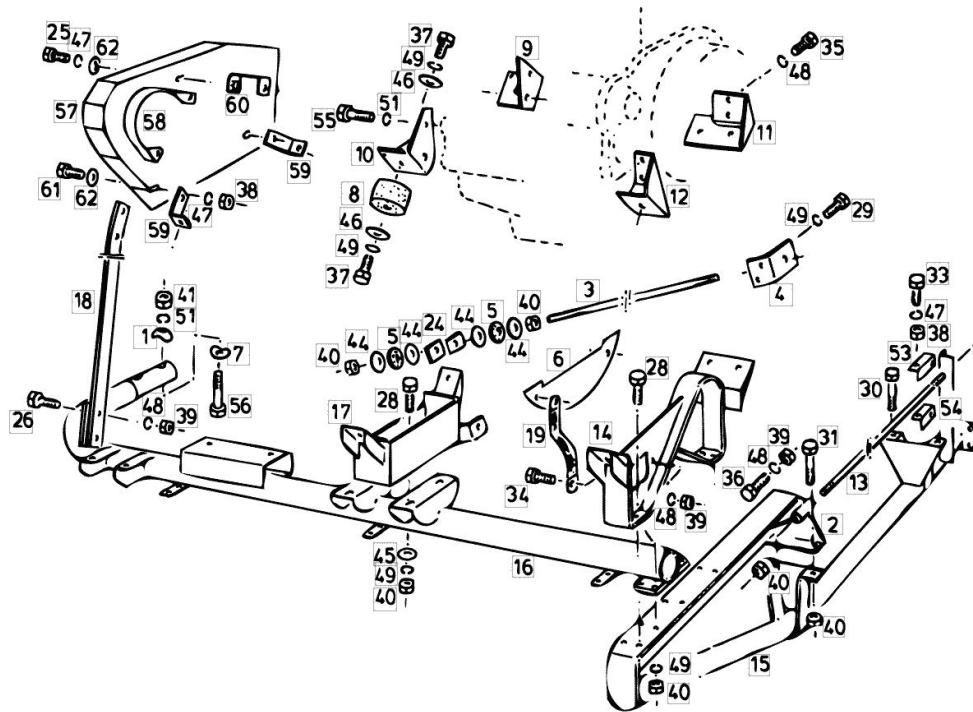


Fig.	P/n	QTY	Name
49	01102801		washer 12
51	01102803		washer 16
53	06259477	1	square
54	06259478	1	square
55	01112693	4	screw m 16 x 45, d933
56	01101543	2	screw m 16 x 110
57	06539354	1	plate
58	NE		plate MOTOR F4L 912 56 KW / 78 PS
-----			
59	06539358	2	square
60	06539364	1	bracket
61	01112307	1	screw m 8 p.1.25 x 15, d933
62	01107163		washer 9, d126

Section: ENGINE  
**ENGINE BEARING**

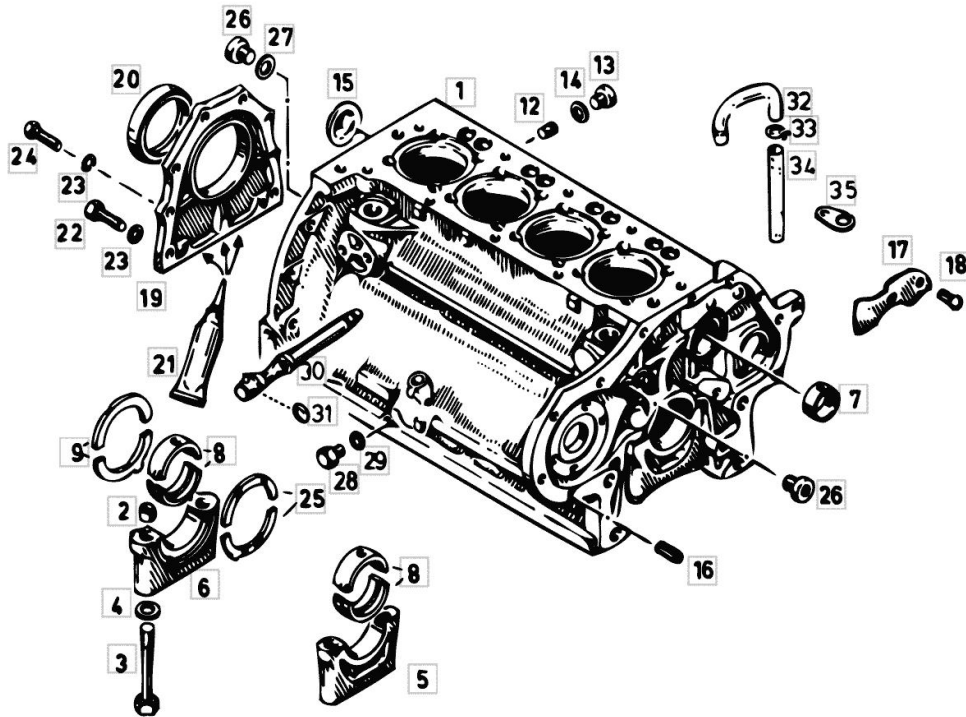
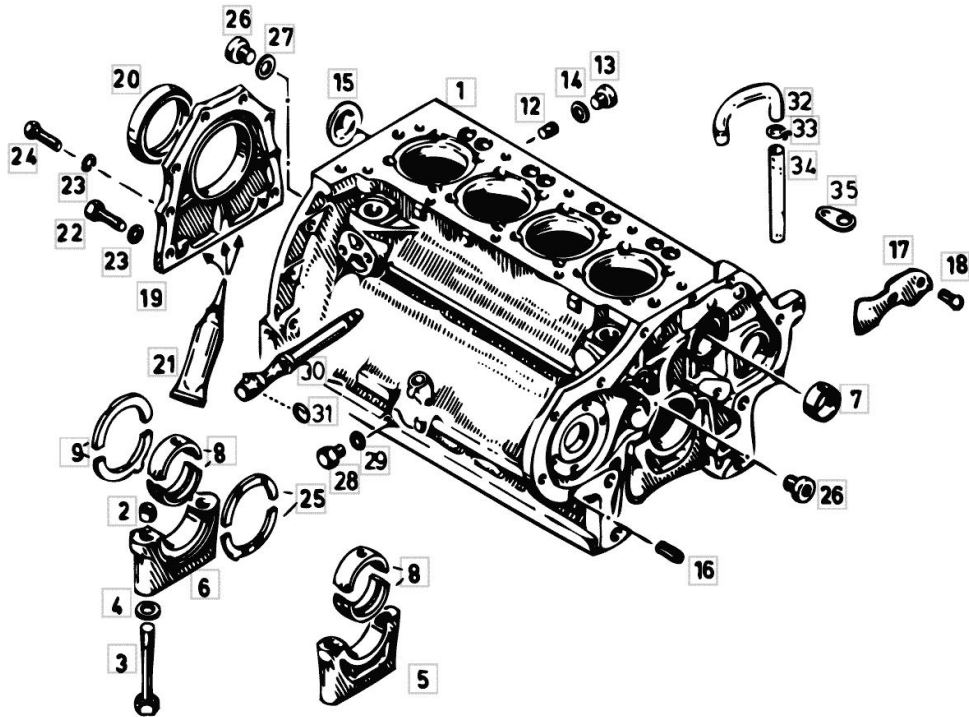


Fig.	P/n	QTY	Name
<b>Notes:</b> [FARMLINER 3370]			
1	04156247	1	crankcase -A 05.96
1.1	04231988	1	crankcase +A 06.96 G 2-7,12-18,26-29
2	04160764	10	bushing
3	04156058	10	screw
4	01216107	10	washer 15x23x1,5
5	NL		cannot be supplied
6	NL		cannot be supplied
7	02139737	1	bushing
8	03362379	5	bearing 70,00 MM
8.1	03362380		bearing 69,75 MM
8.2	03362381		bearing 69,50 MM
9	02230181	1	shim -A 05.96 / 3,00 MM
9.1	02230182		shim -A 05.96 / 3,25 MM
9.2	04232786	1	shim +A 06.96 / 2,94 MM
9.3	04232788		disc +A 06.96 / 3,14 MM
11	03362337	1	gasket
12	01215235	5	plug
13	01110422	5	screw
14	01118673	5	oil seal
15	01216240	1	disc
16	01167266	2	bush
17	02231082	1	plate
18	01115333	2	self tapping screw
19	02234870	1	cover
20	04230392	1	special oil seal
21	01016120	1	compound 1 kg
21.1	01001202	1	gasket
22	01112322	8	screw m 8 p.1.25 x 20
23	01107101	8	washer 8.4
25	02230170	1	shim -A 05.96 / 3,00 MM

Section: ENGINE  
**ENGINE BEARING**

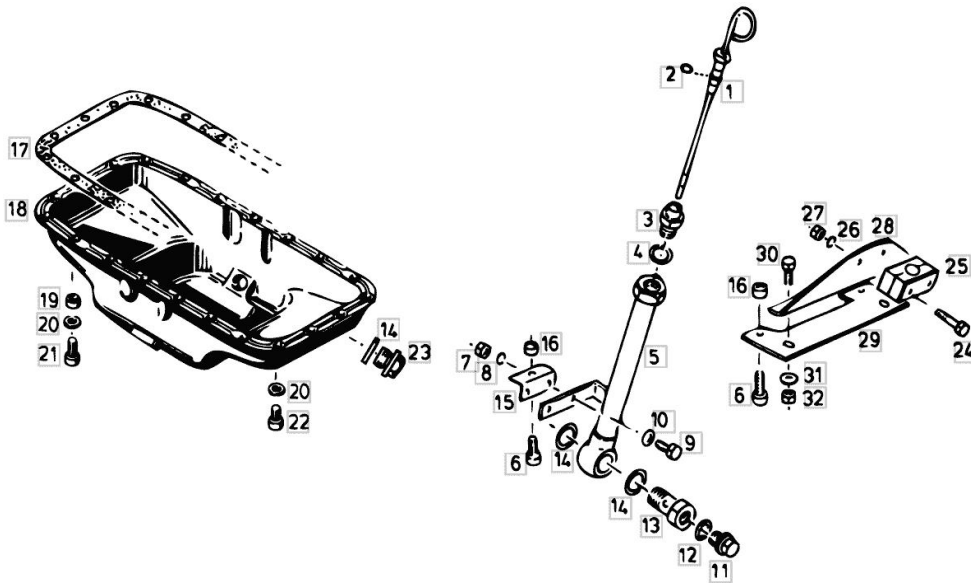
Fig.	P/n	QTY	Name
25.1	02230172		shim -A 05.96 / 3,25 MM
25.2	04232787	1	shim +A 06.96 / 2,94 MM
25.3	04232789		disc +A 06.96 / 3,14 MM
26	01214987	2	screw
27	01118727	1	oil seal
28	01118997	1	screw cm10x1
29	01118659	1	oil seal
30	02239589	4	sprayer nozzle
31	01173838	4	oil seal
32	02101937	1	tube
33	01163942	1	clamp
34	01402545	1	flexible hose
35	02101292	1	fan



Section: ENGINE  
**ENGINE OIL PAN**

Fig.	P/n	QTY	Name
------	-----	-----	------

Notes:  
 [FARMLINER 3370]



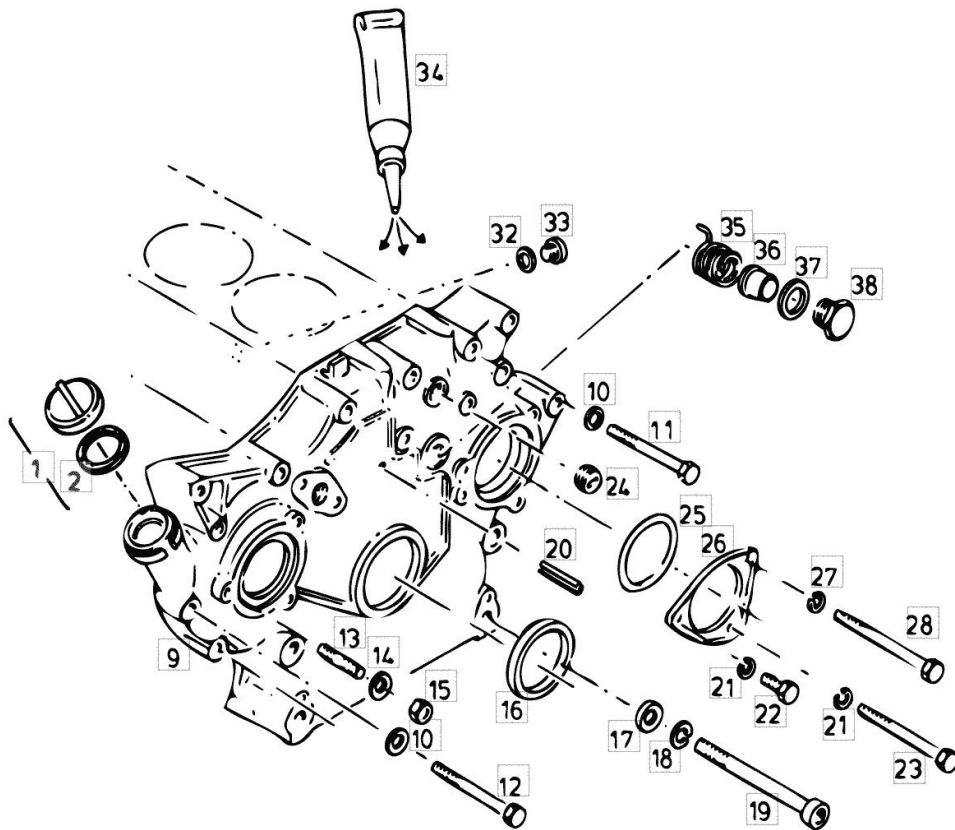
0.1	01016120		compound 1 kg
1	01176369	1	dipstick
2	01174311	1	oil seal
3	06536084	1	vent
4	01118754	1	gasket
5	16003301	1	tube
6	01110577		screw m 8 x 25
7	NE		plate
8	NE		plate
9	NE		plate
10	NE		plate
11	01118979	1	plug m22x1,5 d7604
12	01118737	1	oil seal 22 x 27
13	06536095	1	screw
14	01118784	3	oil seal 30x36x2 d7603
15	NE		plate
16	03372362	1	washer
17	04157236	1	gasket
18	04153145	1	oil sump
19	01216151	1	bushing
20	02233181	21	washer
21	01110577	1	screw m 8 x 25
22	01102193	20	screw m 8 x 16
23	01220240	1	screw
24	01112287	2	screw m 6 x 60, d933
25	06272796	1	bracket PVC, Ø 28
26	01102797	2	washer 6, d128
27	01112813	2	nut m 6
28	16003297	1	support
29	16003298	1	support
30	01137607	2	screw m8x16 sb d933
31	01107163	2	washer 9, d126
32	01104944	2	nut m 8, d985

Section: ENGINE  
**ENGINE FRONT COVER**

Fig.	P/n	QTY	Name
------	-----	-----	------

Notes:  
 [FARMLINER 3370]

1	01236291	1	plug
2	01216293	1	oil seal
9	04158412	1	cover
10	01107101	5	washer 8.4
11	01111179	3	screw m 8 x 70, d931
12	01127046	1	screw m 8 x 60
13	01174192	2	screw
14	01216108	2	washer
15	01112824	2	nut m 8, d934
16	04154144	1	special oil seal
17	01107556	16	washer
18	01102802	4	washer 14.2
19	01111770	4	screw m14x100 d931
20	01115460	1	pin
21	01102799	2	washer 8, d128
22	01102396	1	screw
23	01122399	1	screw
24	01165788	1	plug m 18 x 1,5
25	01166111	1	oil seal
26	04152404	1	cover
27	01102800	1	washer 10.2
28	01111336	1	screw m 10 x 75
32	01118673	1	oil seal
33	01110422	1	screw
34	01016120		compound 1 kg
35	02237638	1	spring B A12
36	02135019	1	tube B A12
37	01118750	1	oil seal B A12
38	04230057	1	screw B A12



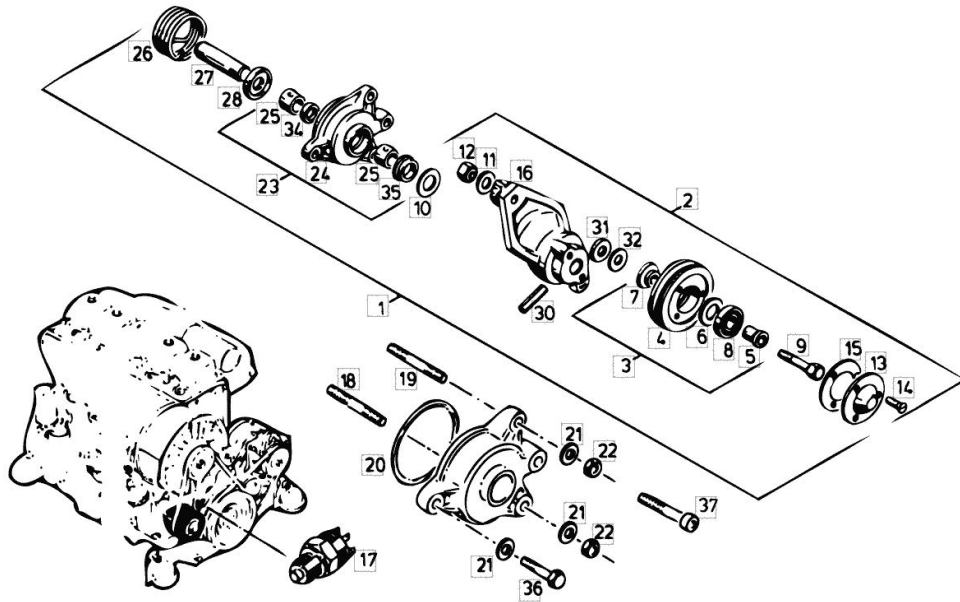
Section: ENGINE

**ENGINE COVER WITH IDLER PULLEY**

Fig.	P/n	QTY	Name
------	-----	-----	------

Notes:

[FARMLINER 3370]



1	04152510	1	tensioner
2	04152520	1	pulley
3	02134806	1	tensioner
4	02133837	1	pulley
5	02133835	1	bush
6	02136433	1	washer
7	02136432	1	ring
8	01172655	1	ring rk 17x40x12
9	01124457	1	screw m 8 x 45
10	04152509	1	shim
10.1	04152517	1	shim
11	01107101	1	washer 8.4
12	01112824	1	nut m 8, d934
13	02237847	1	cover
14	01136951	3	screw
15	02136434	1	gasket
16	04152519	1	lever
17	04191001	1	push-button
18	01174192	1	screw
19	01174191	1	screw m 8 x 25
20	01166111	1	oil seal
21	01216108	3	washer
22	01112824	2	nut m 8, d934
23	04153128	1	cover
24	04153130	1	cover
25	02238022	2	bushing
26	02238021	1	spring
27	02238081	1	shaft
28	02238083	1	washer
30	01157364	1	grub screw
31	02134884	1	washer
32	02238196	3	washer
34	02238084	1	bushing
35	04158766	1	oil seal
36	01174194	1	screw

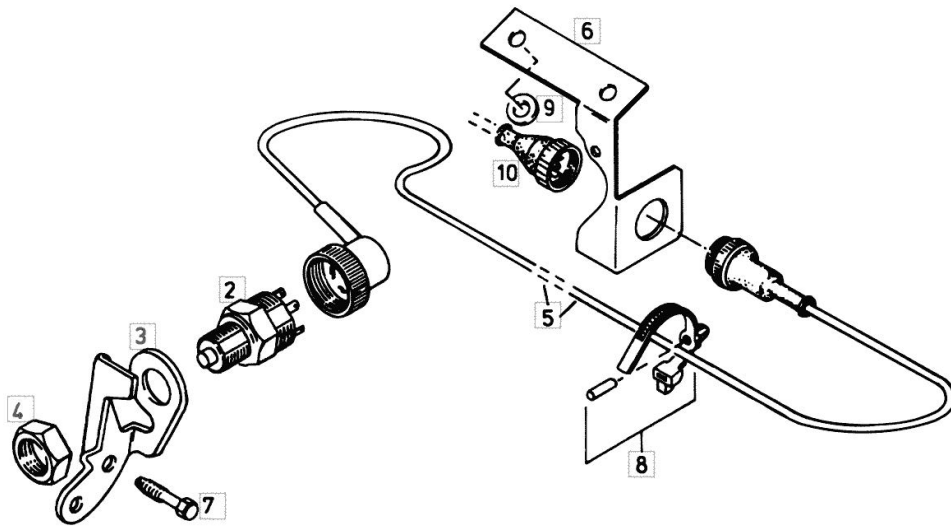
**ENGINE STOP-SWITCH MOUNTING**

Fig.	P/n	QTY	Name
------	-----	-----	------

**Notes:**

POS.NR. 5,6, 8-10 NOT INSTALLED ----- [FARMLINER 3370]

2	04191001	1	push-button
3	02245062	1	console
4	01101294	1	nut
7	01171763	1	screw m 8 p.1.25 x 20





Section: ENGINE

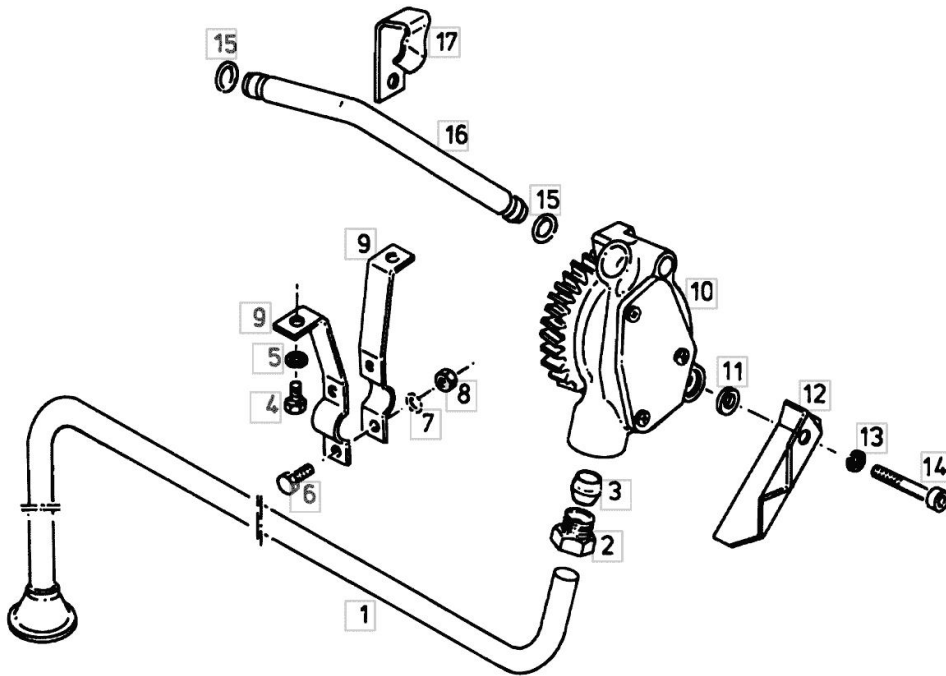
**ENGINE OIL PUMP**

Fig.	P/n	QTY	Name
------	-----	-----	------

**Notes:**

[FARMLINER 3370]

1	04153138	1	primer
2	01216500	1	screw
3	01216512	1	ring
4	01112297	2	screw m8x12 d933
5	01107548	2	washer 8.4
6	01103316	2	screw m 6 p.1.0 x 16
7	01117861	2	washer
8	01112813	2	nut m 6
9	03363064	2	fascia
10	04231309	1	oil pump
12	02238751	1	division
13	01169689	1	washer
14	01122398	2	screw m 8x60 d931
15	01174605	2	oil seal
16	02239984	1	tube
17	04157058	1	bracket

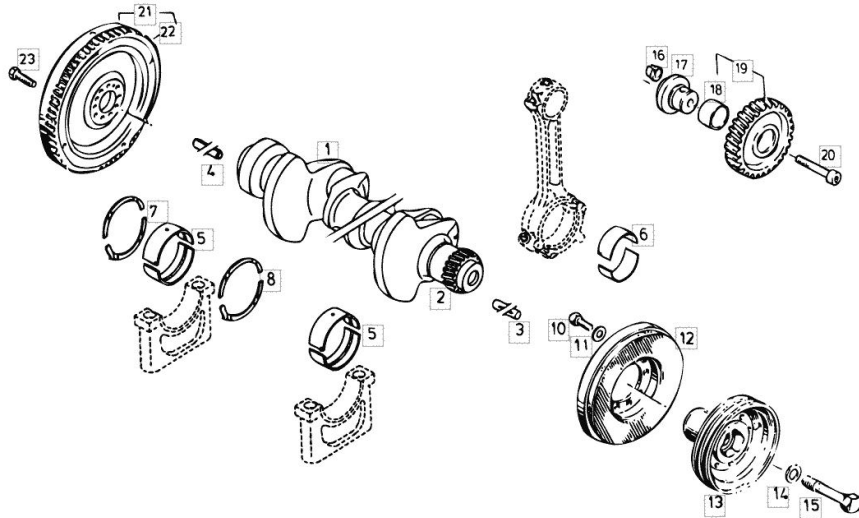


Section: ENGINE  
**ENGINE CRANKSHAFT**

Fig.	P/n	QTY	Name
------	-----	-----	------

Notes:  
 [FARMLINER 3370]

1	02929340	1	crankshaft -A 03.98 / G 2-8
1.1	02931048	1	crankshaft +A 04.98 / G 2-8
2	04156890	1	gear
3	01137239	1	pin
4	01157357	1	grub screw
5	03362379	5	bearing 70,00 MM
5.1	03362380		bearing 69,75 MM
5.2	03362381		bearing 69,50 MM
6	02137750	4	conrod bearing 60,00 MM
6.1	04231896		bearing 59,75 MM
6.2	02137758		conrod bearing 59,50 MM
7	04232786	1	shim 2,94 MM
7.1	04232788	1	disc 3,14 MM
8	04232787	1	shim 2,94 MM
8.1	04232789	1	disc 3,14 MM
10	01112307	8	screw m 8 p.1.25 x 15, d933
11	01172303	8	washer
12	03362699	1	shock absorber
13	02230774	1	pulley
14	01216128	1	washer
15	01166951	1	screw
16	02101007	1	bushing
17	02234172	1	pin
18	03362538	1	bushing
19	04153996	1	gear wheel
20	01110688	1	screw
21	02160759	1	flywheel
22	02131081	1	crown wheel
23	01104845	10	screw m10x1x35 10.9



Section: ENGINE

ENGINE CYLINDER / PISTON

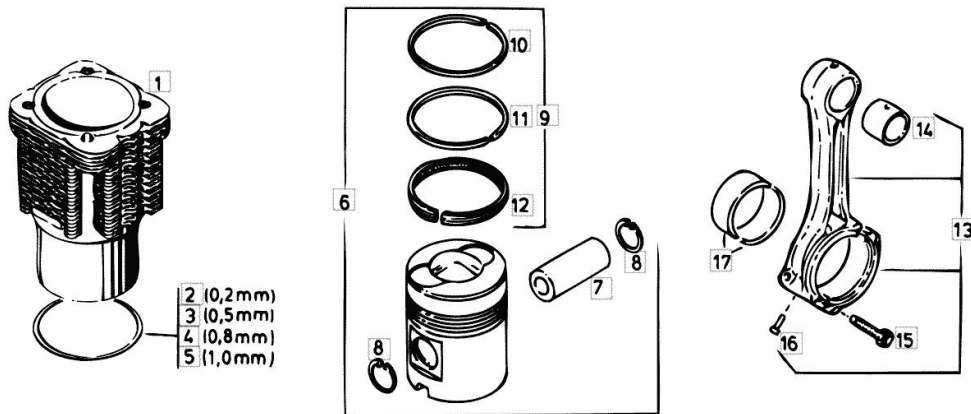


Fig.	P/n	QTY	Name
------	-----	-----	------

Notes:  
[FARMLINER 3370]

1	04231497	4	engine cylinder 100,0 MM
2	02137256	12	shim mm 0.20 0,2 MM
3	04231432		ring mm 0.50 0,5 MM
4	04150264		shim 0,8 MM
5	02239331		shim 1,0 MM
6	04231966	4	piston -A 11.98 / 100,0 MM
6.1	04231968		piston -A 11.98 / 100,5 MM
6.2	04232407	4	piston +A 12.98 / 100,0 MM
6.3	04232408		piston +A 12.98 / 100,5 MM
7	03371660	4	piston pin
8	01107821	8	circlip 35x1,5 d472
9	04156566	4	piston ring set -A 11.98 / 100,0 MM
9.1	04156574		piston ring set -A 11.98 / 100,5 MM
9.2	04231722	4	piston ring set +A 12.98 / 100,0 MM
9.3	04231723		piston ring set +A 12.98 / 100,5 MM
10	01177826		piston ring -A 11.98 / 100,0 MM
10.1	01177827		piston ring -A 11.98 / 100,5 MM
11	01176107		ring -A 11.98 / 100,0 MM
11.1	01178158		ring -A 11.98 / 100,5 MM
12	01174336		ring -A 11.98 / 100,0 MM
12.1	01176213		ring -A 11.98 / 100,5 MM
13	04150450	4	rod

Thank you so much for reading.  
Please click the “Buy Now!”  
button below to download the  
complete manual.



After you pay.

You can download the most  
perfect and complete manual in  
the world immediately.

Our support email:

[ebooklibonline@outlook.com](mailto:ebooklibonline@outlook.com)