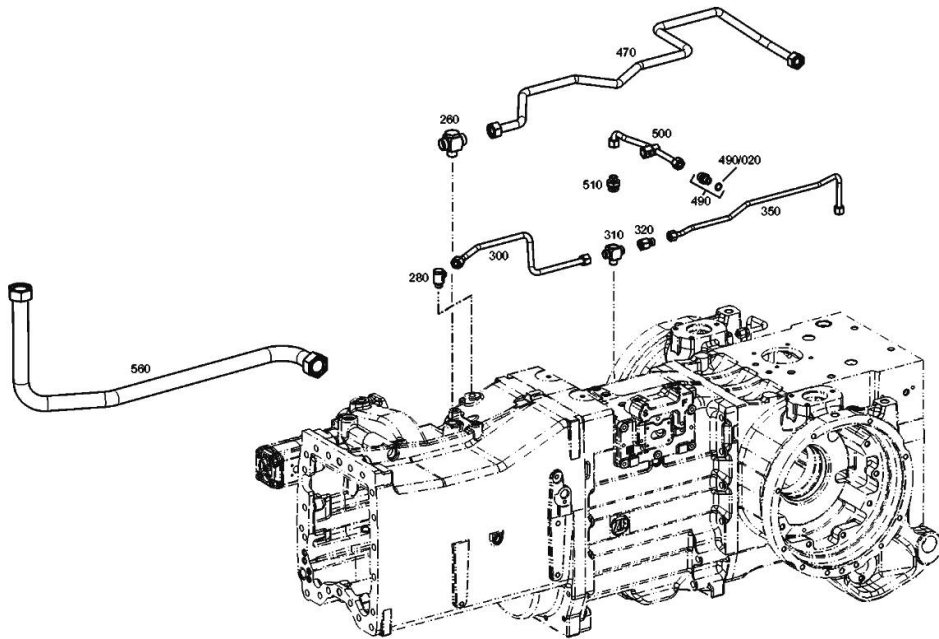


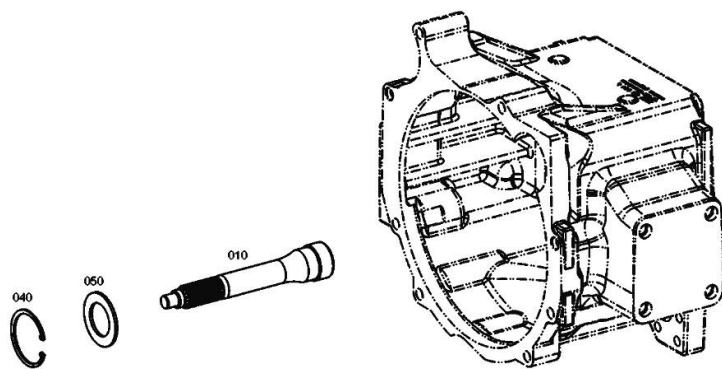
Section: D0 - TRANSMISSION  
**OIL SUPPLY - 2095 011 002**

Fig.	P/n	QTY	Name
260	04416647	1	screw
280	0.900.1362.6	1	straight union
300	0.900.2184.8	1	tube
310	04416428	1	screw
320	04417781	1	reduction
350	0.900.2184.9	1	tube
470	0.900.2185.0	1	tube
490	0.900.2185.1	1	pipe union
490.20	02315162	1	oil seal 13x2
500	0.900.2185.2	1	tube
510	0.010.3805.0	1	vent
560	0.900.2185.3	1	tube



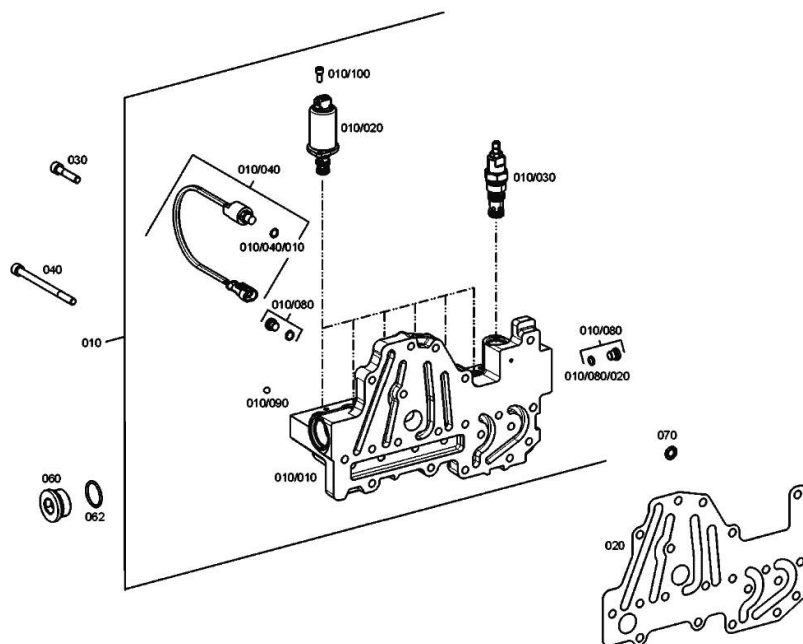
**GEARBOX INPUT SHAFT - 2095 011 002**

Fig.	P/n	QTY	Name
10	0.900.2185.4	1	shaft
40	0.010.2883.2	1	circlip 85x3
50	04415635	1	washer



**HYDRAULIC CONTROL - 2095 011 002**

Fig.	P/n	QTY	Name
10	0.900.2048.4	1	hydraulic control block
10.10	0.900.2050.8	1	hydraulic control block
10.20	0.900.2045.8	6	regulator
10.30	0.900.2045.3	1	valve
10.40	04431690	1	pressure switch
10.40.10	04415683	1	oil seal 8x1.5
10.80	0.900.2136.4	7	plug
10.80.20	04415683	1	oil seal 8x1.5
10.90	0.900.2046.5	6	ball Ø mm 7
10.100	04434506	12	screw m 5 x 12
20	0.900.2050.9	1	gasket
30	0.900.2046.8	12	screw m8x40
40	0.900.2046.9	6	screw m8x115
60	0.900.2123.8	1	screw m 33 x 2
62	04415825	1	ring 30x2.5
70	01160038	1	oil seal



**HYDRAULIC CONTROL - 2095 011 002**

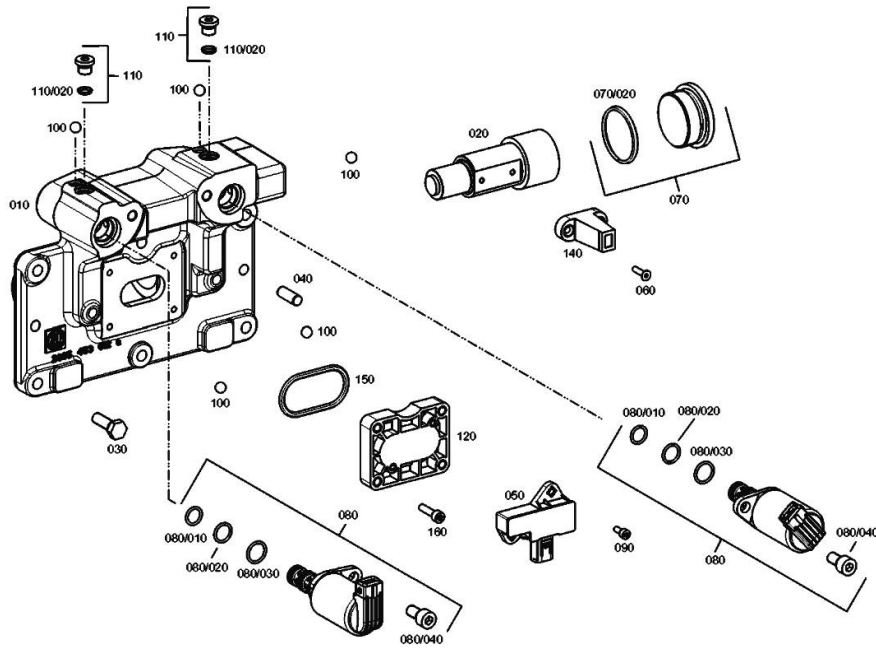


Fig.	P/n	QTY	Name
10	0.900.2185.5	1	box
20	0.900.0957.9	1	piston
30	04434498	6	screw m 8 x 25
40	0.010.3820.1	2	pin m 6 x 20
50	0.900.0277.8	1	position sensor
60	0.900.0470.1	2	screw m 4 x 16
70	0.900.1409.4	1	plug
70.20	02315144	1	oil seal 38x2.5
80	0.900.0952.8	2	solenoid valve DV
80.10	0.900.1377.6	1	gasket 13 x 1.5
80.20	0.900.1377.5	1	gasket 12,4 x 1,78
80.30	0.900.1377.7	1	gasket 14x1.78
80.40	0.900.1377.8	1	screw m 8 x 16
90	0.900.0280.3	2	screw
100	04415909	5	ball
110	0.900.2136.4	2	plug
110.20	04415683	1	oil seal 8x1.5
120	0.900.0286.3	1	cover
140	0.900.0283.7	1	support
150	0.900.0279.1	1	ring
160	0.900.0953.5	4	screw

Section: D0 - TRANSMISSION  
**PUMP DRIVE - 2095 011 002**

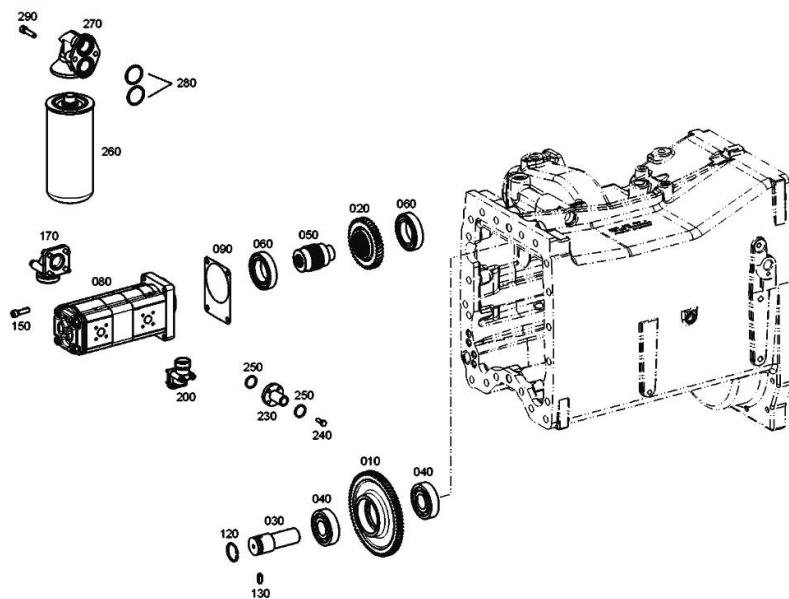
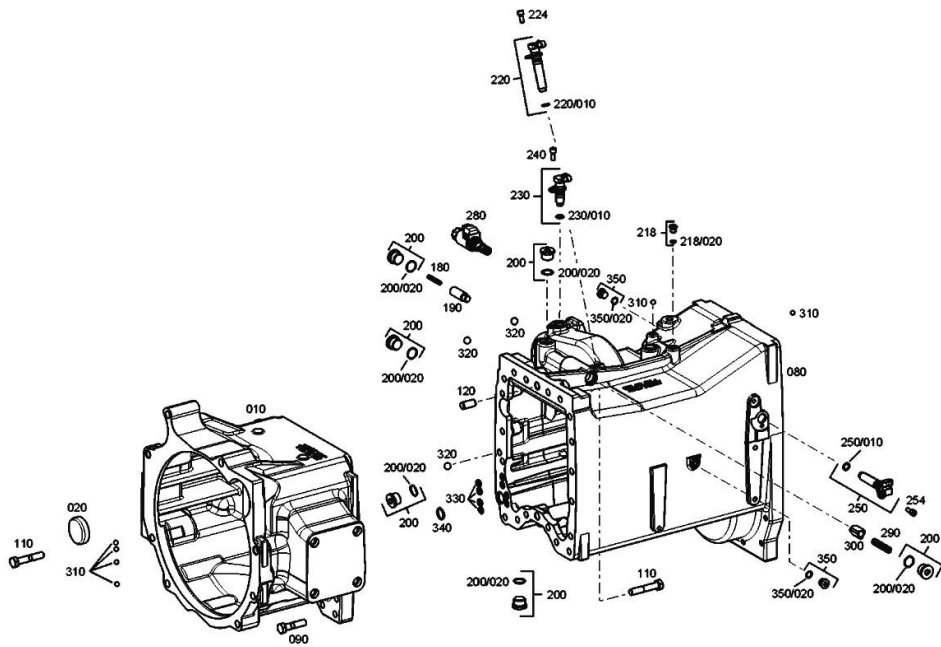


Fig.	P/n	QTY	Name
10	0.900.1589.2	1	gear wheel
20	0.900.0884.7	1	gear z=39
30	0.900.1589.1	1	shaft
40	0.900.1586.7	2	ball bearing
50	0.900.0488.6	1	bush z=38
60	0.010.2877.0	2	ball bearing
80	0.900.2185.6	1	pump
90	04415921	1	gasket
120	0.900.2185.7	1	ring
130	0.900.1224.7	1	pin 8x20
150	01110576	4	screw
170	0.900.2185.8	1	flange
200	0.900.2185.9	1	flange
230	0.900.2186.0	1	flange
240	0.900.2186.1	4	screw
250	0.900.2186.2	2	oil seal
260	0.900.2186.3	1	filter
270	0.900.2186.4	1	head
280	0.900.2186.5	2	oil seal
290	0.010.3821.0	2	screw m 8 x 35

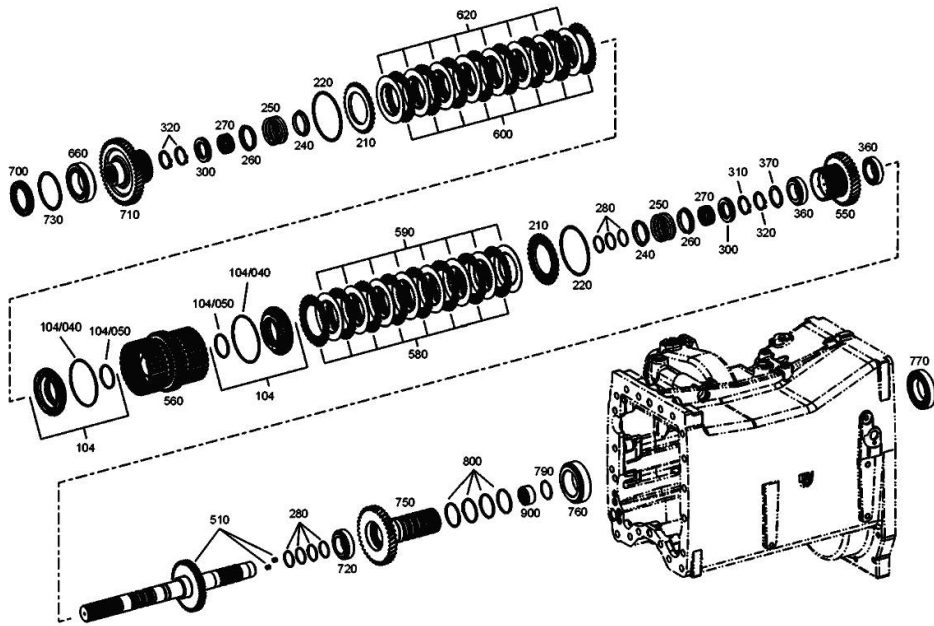
Section: D0 - TRANSMISSION  
**GEARBOX - 2095 011 002**

Fig.	P/n	QTY	Name
10	0.900.2186.6	1	box
20	01138947	1	cover
80	0.900.2186.7	1	box
90	0.010.2887.1	7	screw m 14 x 60
110	0.900.2186.8	12	screw
120	04416090	2	cylindrical plug 16 m 6x30
180	04415972	1	spring
190	04415971	1	small piston
200	04434341	6	plug
200.20	04436328	1	oil seal 23x2
218	04433215	1	plug
218.20	04415796	1	oil seal 9.5x2
220	04438438	1	position sensor L = 83,2mm
220.10	04417747	1	oil seal 15.54x2.62
224	04434551	1	screw m 8 p.1.25 x 20
230	0.010.2874.2	1	speed sensor
230.10	04417747	1	oil seal 15.54x2.62
240	04434551	1	screw m 8 p.1.25 x 20
250	04438438	1	position sensor L = 83,2mm
250.10	04417747	1	oil seal 15.54x2.62
254	04434551	1	screw m 8 p.1.25 x 20
280	0.900.2094.5	1	solenoid valve
290	04415955	1	spring
300	0.900.0489.2	1	cone
310	04309268	6	ball
320	04416962	3	ball
330	01160038	4	oil seal
340	0.900.2186.9	1	ring
350	04435199	2	screw
350.20	02315162	1	oil seal 13x2



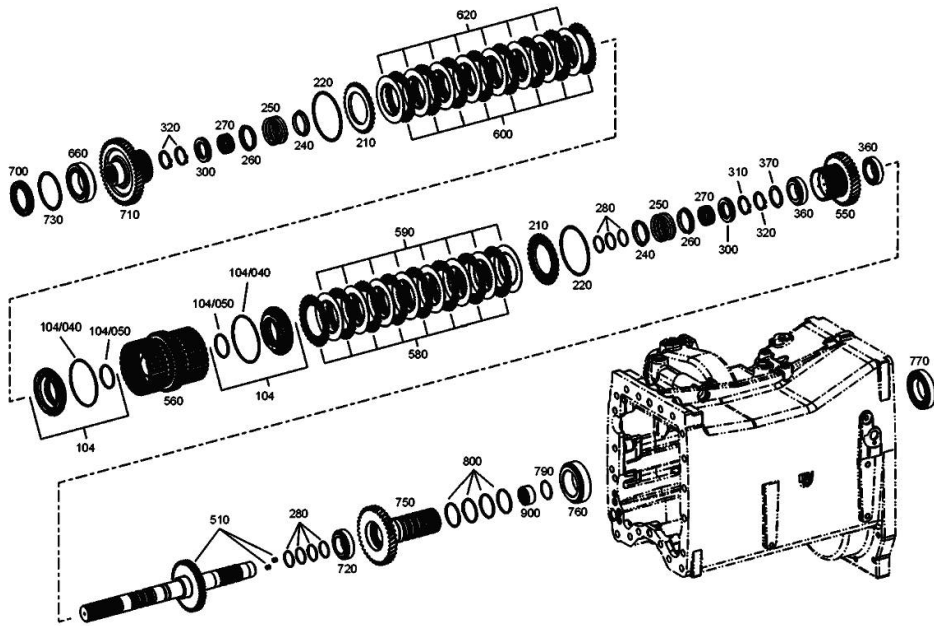
Section: D0 - TRANSMISSION  
**SPLITTER - 2095 011 002**

Fig.	P/n	QTY	Name
104	04431746	4	piston
104.40	04419762	1	oil seal 104x3
104.50	04419763	1	oil seal 50x3
210	04416763	4	disc
220	0.900.0801.9	1	circlip A=2,75
220	0.900.0802.0	1	circlip A=3,25
220	0.900.0802.1	1	circlip A=2,25
220	04416765	1	circlip A = 2.0
220	04416766	1	circlip A = 2.5
220	04416767	1	circlip A = 3.0
220	04416768	1	circlip A = 3.5
240	04416758	4	ring
250	04416759	4	spring
260	04416954	4	ring
270	04416955	4	roller cage
280	04416956	10	ring 38/35.2x2
300	04416957	4	bearing
310	04416951	2	circlip
320	0.010.3347.1	5	circlip 38x2.5
360	04416950	4	bearing
370	0.010.2886.0	1	washer mm 1.175
370	0.010.2886.1	1	washer mm 1.15
370	0.900.2137.0	1	washer mm 1.025
370	0.900.2137.1	1	washer mm 1.075
370	0.900.2137.2	1	washer mm 1.125
370	04416969	1	ring mm 1.5
370	04417016	1	washer mm 1.2
370	04417017	1	washer mm 1.25
370	04417018	1	washer mm 1.30
370	04417019	1	washer mm 1.35
370	04417020	1	washer mm 1.4
370	04417021	1	washer mm 1.45
370	04417023	1	washer mm 1.55
370	04417024	1	washer mm 1.60
370	04417025	1	washer mm 1.65
370	04417026	1	washer mm 1.7
370	04417027	1	washer mm 1.75
370	04417028	1	washer mm 1.80
370	04417029	1	shim mm 1.225
370	04417030	1	shim mm 1.275
370	04417031	1	shim mm 1.325
370	04417032	1	shim mm 1.375
370	04417033	1	shim mm 1.425
370	04417034	1	shim mm 1.475



Section: D0 - TRANSMISSION  
**SPLITTER - 2095 011 002**

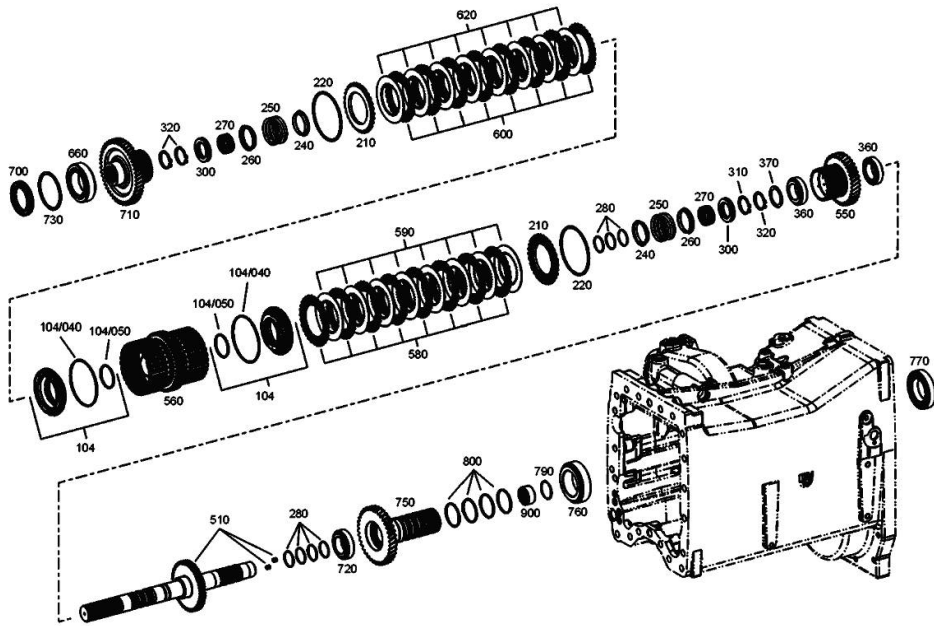
Fig.	P/n	QTY	Name
370	04417035	1	shim mm 1.525
370	04417036	1	shim mm 1.575
370	04417037	1	shim mm 1.625
370	04417038	1	shim mm 1.675
370	04417039	1	shim mm 1.725
370	04417040	1	shim mm 1.775
510	0.900.2187.7	1	ring
550	0.900.0955.6	1	gear wheel
560	0.900.0954.4	1	plate carrier
580	04416760	8	clutch plate AV 35
590	04416967	8	clutch plate
600	04416760	8	clutch plate AV 35
620	04416967	8	clutch plate
660	0.010.3256.1	1	roller bearing
700	04416975	1	oil seal
710	0.900.0885.0	1	gear z=47
720	04416110	1	roller bearing
730	0.900.0974.5	1	shim S = 2.00
730	0.900.0974.6	1	shim s = 2.05
730	0.900.0974.7	1	shim s = 2.10
730	0.900.0974.8	1	shim s = 2.15
730	0.900.0974.9	1	shim s = 2.20
730	0.900.0975.0	1	shim s = 2.25
730	0.900.0975.1	1	shim s = 2.30
730	0.900.0975.2	1	washer
730	0.900.0975.3	1	washer
730	0.900.0975.4	1	shim
730	0.900.0975.5	1	shim
730	0.900.0975.6	1	shim
730	0.900.0975.7	1	shim
730	0.900.0975.8	1	shim
730	0.900.0975.9	1	shim
730	0.900.0976.0	1	shim
730	0.900.0976.1	1	shim
730	0.900.0978.1	1	washer
730	0.900.0978.2	1	washer
730	0.900.2188.2	1	shim S=2.95
730	0.900.2188.3	1	shim S=3,00
730	0.900.2188.4	1	shim A=1,90
730	0.900.2188.5	1	shim A=1,950
730	0.900.2188.6	1	shim h=2,68
730	0.900.2188.7	1	shim h=2,730
730	0.900.2188.8	1	shim h=2,780
730	0.900.2188.9	1	shim h=2,830





Section: D0 - TRANSMISSION  
**SPLITTER - 2095 011 002**

Fig.	P/n	QTY	Name
730	0.900.2189.0	1	shim h=2,880
730	0.900.2189.1	1	shim S=3.10
750	0.900.2187.8	1	shaft
760	0.900.2188.0	1	bearing
770	0.900.2188.1	1	bearing
790	0.900.1246.2	1	circlip
800	0.900.0293.5	4	oil seal
900	0.900.2187.9	1	bush



Section: D0 - TRANSMISSION  
**SPLITTER - 2095 011 002**

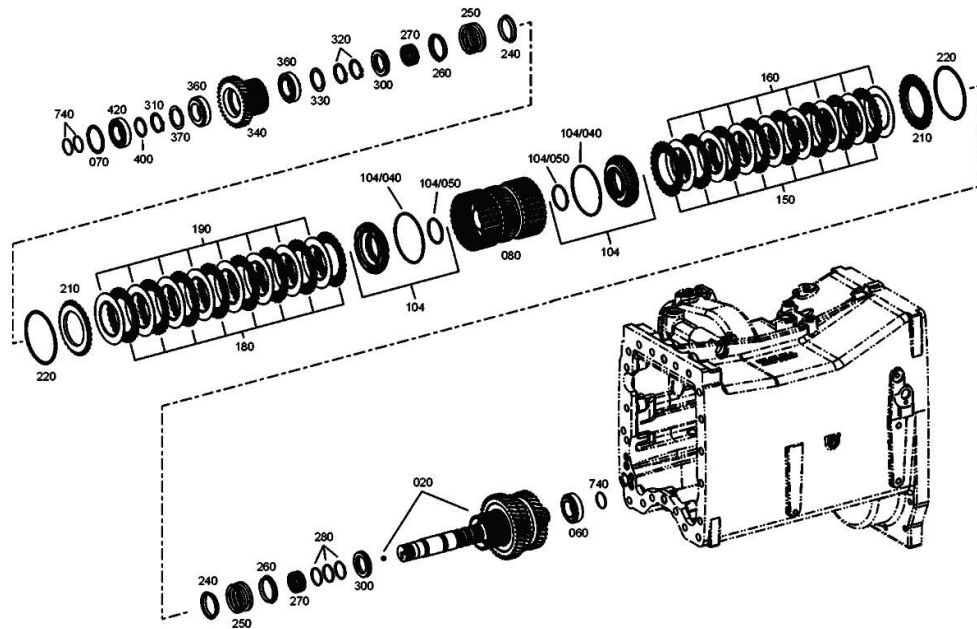


Fig.	P/n	QTY	Name
20	0.900.2187.6	1	shaft
60	04415988	2	bearing
70	04417051	1	washer mm 2.40
70	04417052	1	washer mm 2.45
70	04417053	1	washer mm 2.50
70	04417054	1	washer mm 2.55
70	04417055	1	washer mm 2.60
70	04424430	1	washer mm 2.65
70	04424431	1	washer mm 2.70
80	0.900.0954.5	1	carrier
104	04431746	4	piston
104.40	04419762	1	oil seal 104x3
104.50	04419763	1	oil seal 50x3
150	04416760	8	clutch plate AV 35
160	04416967	8	clutch plate
180	04416760	8	clutch plate AV 35
190	04416967	8	clutch plate
210	04416763	4	disc
220	0.900.0801.9	1	circlip A=2,75
220	0.900.0802.0	1	circlip A=3,25
220	0.900.0802.1	1	circlip A=2,25
220	04416765	1	circlip A = 2.0
220	04416766	1	circlip A = 2.5
220	04416767	1	circlip A = 3.0
220	04416768	1	circlip A = 3.5
240	04416758	4	ring
250	04416759	4	spring
260	04416954	4	ring
270	04416955	4	roller cage
280	04416956	10	ring 38/35.2x2
300	04416957	4	bearing
310	04416951	2	circlip
320	0.010.3347.1	5	circlip 38x2.5
330	04416969	1	ring mm 1.5
340	0.900.0955.5	1	gear
360	04416950	4	bearing
370	0.010.2886.0	1	washer mm 1.175
370	0.010.2886.1	1	washer mm 1.15
370	0.900.2137.0	1	washer mm 1.025
370	0.900.2137.1	1	washer mm 1.075
370	0.900.2137.2	1	washer mm 1.125
370	04416969	1	ring mm 1.5
370	04417016	1	washer mm 1.2
370	04417017	1	washer mm 1.25

Section: D0 - TRANSMISSION  
**SPLITTER - 2095 011 002**

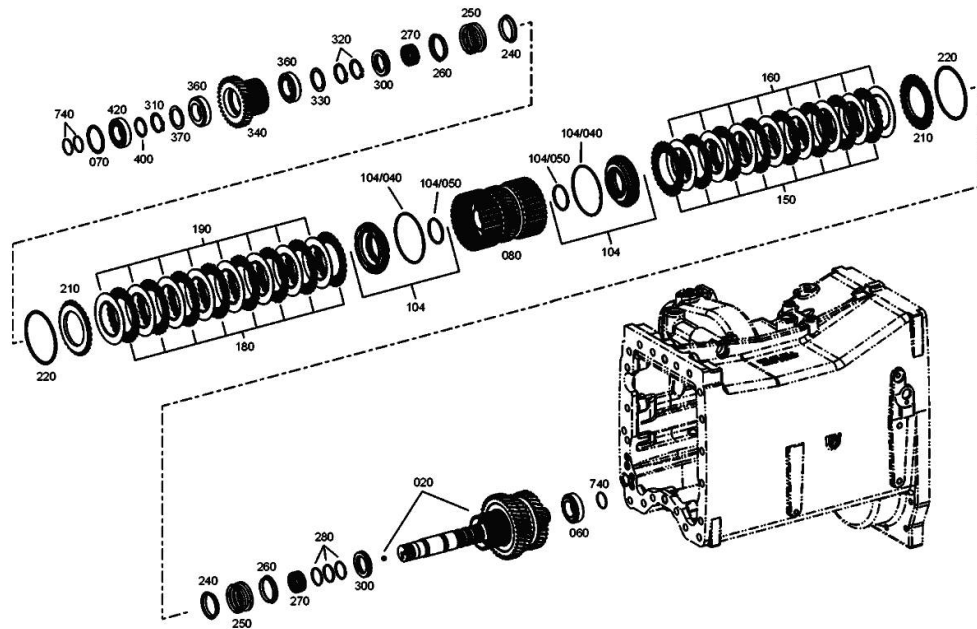


Fig.	P/n	QTY	Name
370	04417018	1	washer mm 1.30
370	04417019	1	washer mm 1.35
370	04417020	1	washer mm 1.4
370	04417021	1	washer mm 1.45
370	04417023	1	washer mm 1.55
370	04417024	1	washer mm 1.60
370	04417025	1	washer mm 1.65
370	04417026	1	washer mm 1.7
370	04417027	1	washer mm 1.75
370	04417028	1	washer mm 1.80
370	04417029	1	shim mm 1.225
370	04417030	1	shim mm 1.275
370	04417031	1	shim mm 1.325
370	04417032	1	shim mm 1.375
370	04417033	1	shim mm 1.425
370	04417034	1	shim mm 1.475
370	04417035	1	shim mm 1.525
370	04417036	1	shim mm 1.575
370	04417037	1	shim mm 1.625
370	04417038	1	shim mm 1.675
370	04417039	1	shim mm 1.725
370	04417040	1	shim mm 1.775
400	04416762	1	disc
420	04415988	1	bearing
740	04415761	3	ring 35x2

Thank you so much for reading.  
Please click the “Buy Now!”  
button below to download the  
complete manual.



After you pay.

You can download the most  
perfect and complete manual in  
the world immediately.

Our support email:

[ebooklibonline@outlook.com](mailto:ebooklibonline@outlook.com)