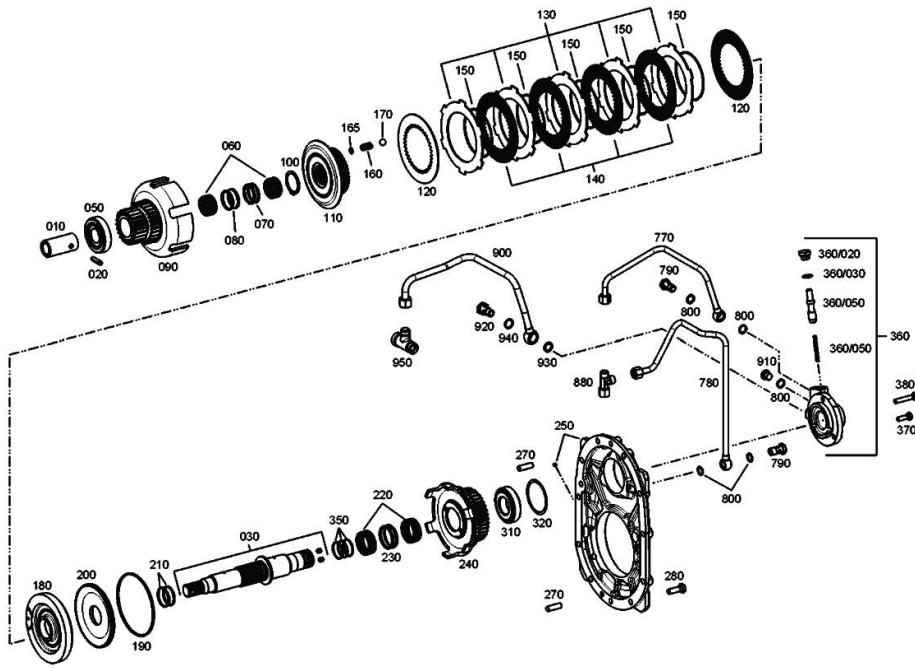


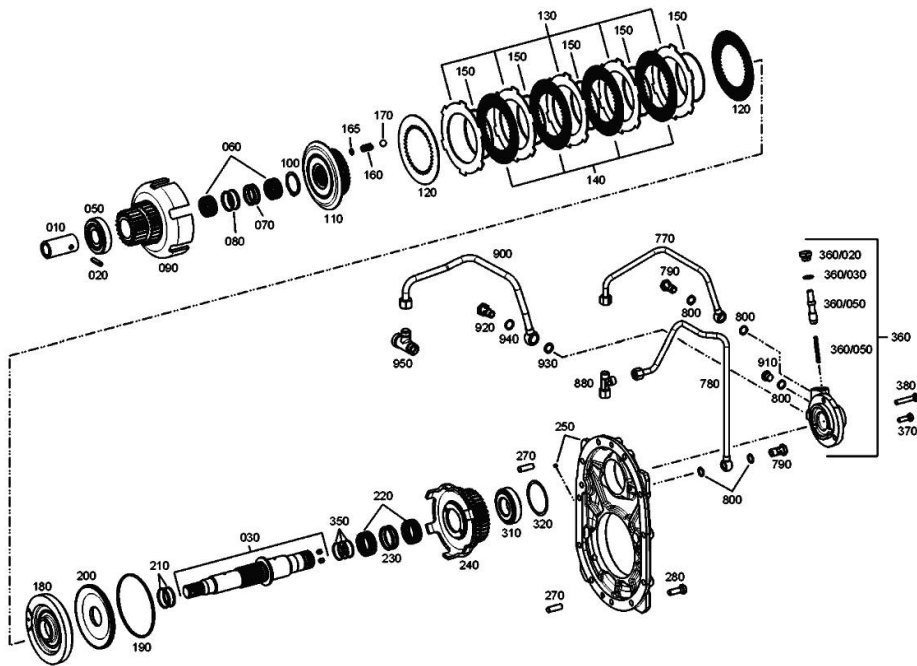
P.T.O. - POWER TAKE OFF - 2095 011 003

Fig.	P/n	QTY	Name
10	04421009	1	sleeve
20	0.010.2894.1	1	pin 8 x 30
30	0.900.1408.2	1	shaft
50	0.900.1406.7	1	roller bearing
60	04417336	2	roller cage
70	04417337	1	roller cage
80	04417338	3	roller cage
90	0.900.2094.7	1	shaft
100	0.010.3724.2	1	circlip 40 x 1.75
110	0.900.0955.7	1	hub
120	0.900.1498.2	2	disc z=38
130	0.900.1402.9	5	ring
140	0.900.1441.4	4	thin plate z=38
150	0.900.1498.1	5	spring
160	04417347	8	spring
165	0.900.1637.6	8	shim 6x12
170	04415830	8	ball 12 mm
180	0.900.1408.9	1	cylinder
190	0.900.0468.4	1	oil seal 120x3
200	0.900.0489.5	1	piston
210	0.900.0879.0	2	ring
220	04417352	2	roller cage
230	04417353	1	roller cage
240	0.900.0287.8	1	gear
250	0.900.2078.0	1	cover
270	04328555	2	cylindrical plug 10 m 6x20
280	0.900.0279.9	11	screw m 10 x 30
310	0.900.1385.0	1	bearing
320	0.900.0294.8	1	washer
320	0.900.0294.9	1	washer s = 0.15
320	04417362	1	shim s = 0.40
350	0.900.0293.6	3	locking segment
360	0.900.1235.6	1	cover
360.20	0.900.2078.2	1	plug m16x1,5
360.30	04436331	1	oil seal 16 x 20
360.40	0.900.1386.4	1	piston
360.50	0.900.1384.9	1	spring
370	04434498	5	screw m 8 x 25
380	0.900.0280.0	1	screw m 8 x 45
770	0.900.0993.5	1	tube
780	0.900.2078.3	1	tube
790	0.900.0282.1	1	pipe union
800	04423731	4	oil seal 14 x 18
880	0.900.2123.7	1	pipe fitting



P.T.O. - POWER TAKE OFF - 2095 011 003

Fig.	P/n	QTY	Name
900	0.900.0283.5	1	tube
910	0.900.0280.7	1	stop
920	04427560	1	pipe union
930	0.010.2895.0	1	gasket 14x20
940	04436331	1	oil seal 16 x 20
950	04431782	1	threaded joint



P.T.O. - POWER TAKE OFF - 2095 011 003

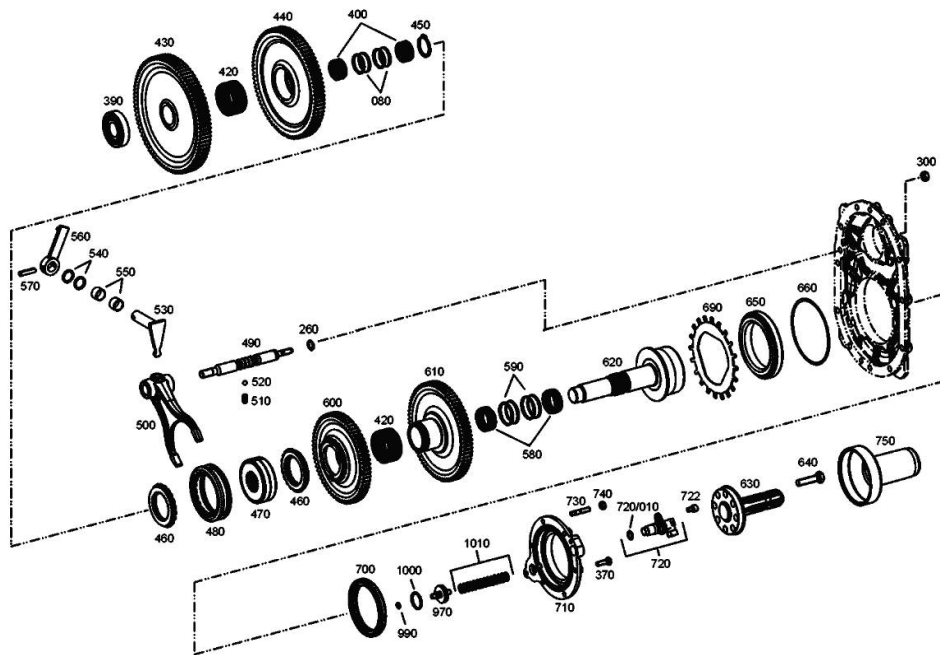
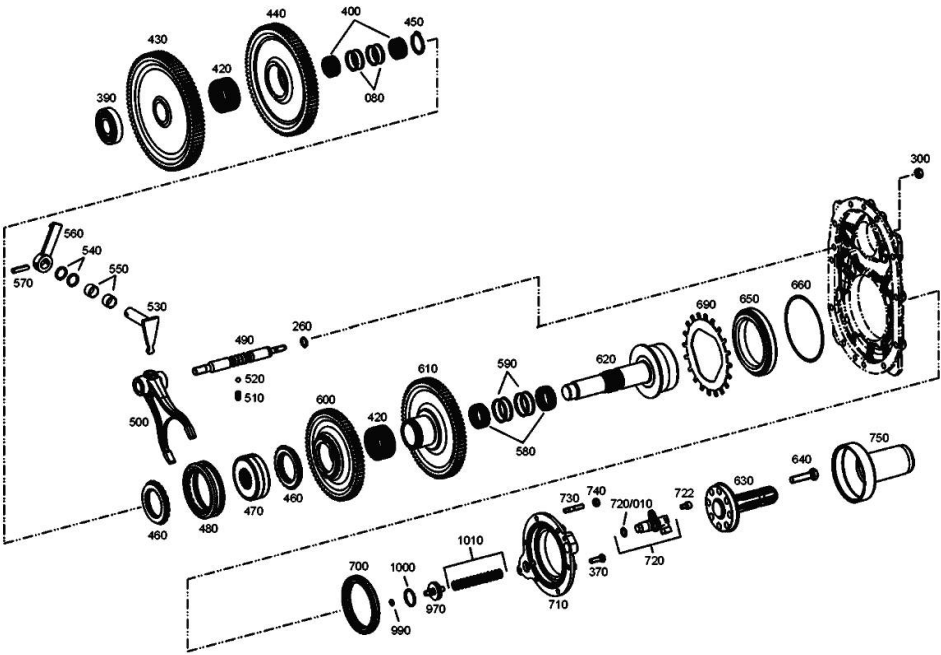


Fig.	P/n	QTY	Name
80	04417338	3	roller cage
260	0.900.0278.8	1	oil seal
300	0.900.2017.6	1	nut
370	04434498	5	screw m 8 x 25
390	0.900.1406.7	1	roller bearing
400	04417336	2	roller cage
420	04417368	2	roller cage
430	0.900.2094.8	1	gear wheel
440	0.900.2094.9	1	gear wheel
450	0.010.3347.1	1	circlip 38x2.5
460	04423336	2	driver
470	04423335	1	support
480	04423337	1	sleeve
490	0.900.1499.8	1	rod
500	0.010.3701.2	1	fork
510	04417378	1	spring
520	04415909	1	ball
530	04417379	1	small lever
540	0.900.0278.5	2	ring 20x3.5
550	04417381	2	bushing
560	0.900.0294.2	1	lever
570	0.010.3348.2	1	roll pin 8x36
580	04417352	2	roller cage
590	04417384	2	roller cage
600	0.900.0288.5	1	gear
610	0.900.0288.4	1	gear
620	0.900.0957.0	1	shaft
630	04417388	1	shaft
640	0.900.2017.2	8	screw
650	0.900.0282.9	1	roller bearing
660	04417391	1	shim s = 0.10
660	04417392	1	shim s = 0.15
660	04417393	1	shim s = 0.40
690	0.900.1432.0	1	gear
700	0.900.2208.8	1	ring
710	0.900.2078.4	1	cover
720	0.010.2874.2	1	speed sensor
720.10	04417747	1	oil seal 15.54x2.62
722	0.900.1637.7	1	screw m 8 x 12
730	0.900.2016.4	4	grub screw
740	0.900.2017.3	4	nut
750	04417440	1	guard
970	0.900.2045.1	1	piston
990	02371264	1	oil seal

P.T.O. - POWER TAKE OFF - 2095 011 003

Fig.	P/n	QTY	Name
1000	0.010.3781.1	1	ring 29x3
1010	0.900.2078.5	14	spring



PTO OUTPUT SHAFT - 2095 011 003

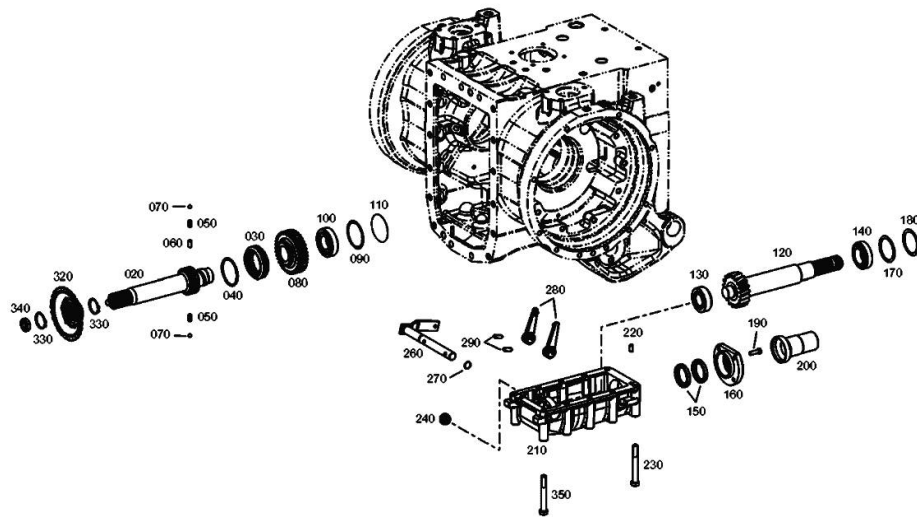
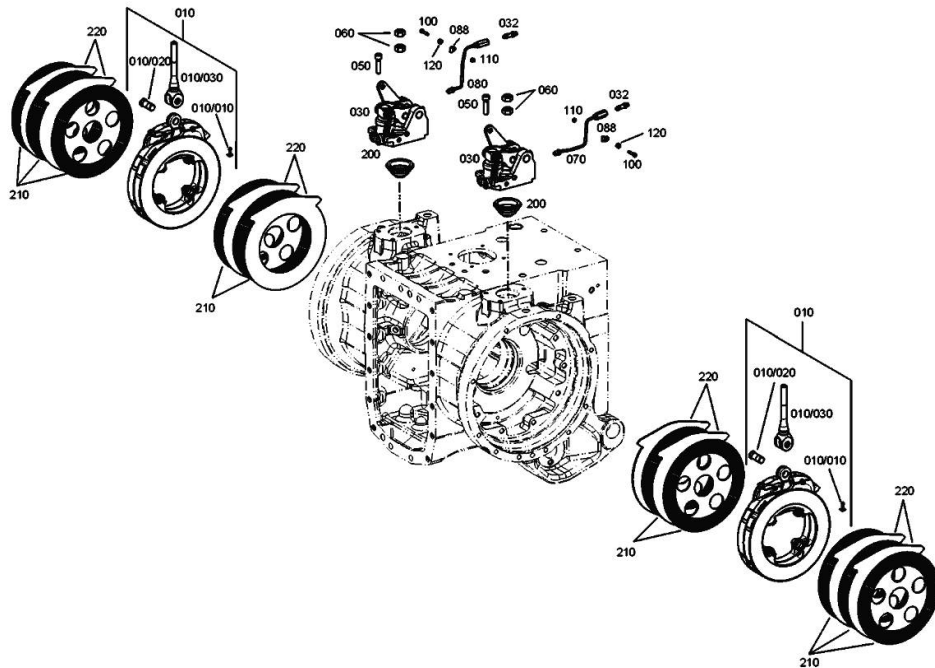


Fig.	P/n	QTY	Name
20	0.900.1590.2	1	shaft
30	04417488	1	sleeve
40	0.900.0278.0	1	circlip
50	04417378	2	spring
60	0.900.0953.2	1	cylindrical plug m 6 x 15
70	04415909	2	ball
80	0.900.2196.1	1	gear wheel
90	0.900.0294.8	1	washer
90	0.900.0294.9	1	washer s = 0.15
90	04417362	1	shim s = 0.40
100	0.900.0279.3	1	roller bearing
110	04417494	1	cover
120	0.900.2196.2	1	shaft
130	0.900.0293.9	1	roller bearing
140	04416110	1	roller bearing
150	04417498	2	ring
160	04417499	1	cover
170	0.010.3343.2	1	small block 55x68x0.5
180	0.010.3343.1	1	small block 55x68x0.1
190	04434498	4	screw m 8 x 25
200	04417500	1	guard
210	0.900.1590.3	1	box
220	0.900.0953.2	2	cylindrical plug m 6 x 15
230	0.900.1589.6	8	screw m 12 x 100
240	0.010.3847.2	1	stop
260	0.010.3454.1	1	shaft
270	0.900.0278.8	1	oil seal
280	04417505	2	lever
290	0.010.3348.1	2	roll pin 8x26
320	0.900.1500.1	1	driver
330	0.900.1498.4	2	ring
340	0.900.1498.9	1	ball bearing
350	0.900.1589.7	2	screw m 12x95

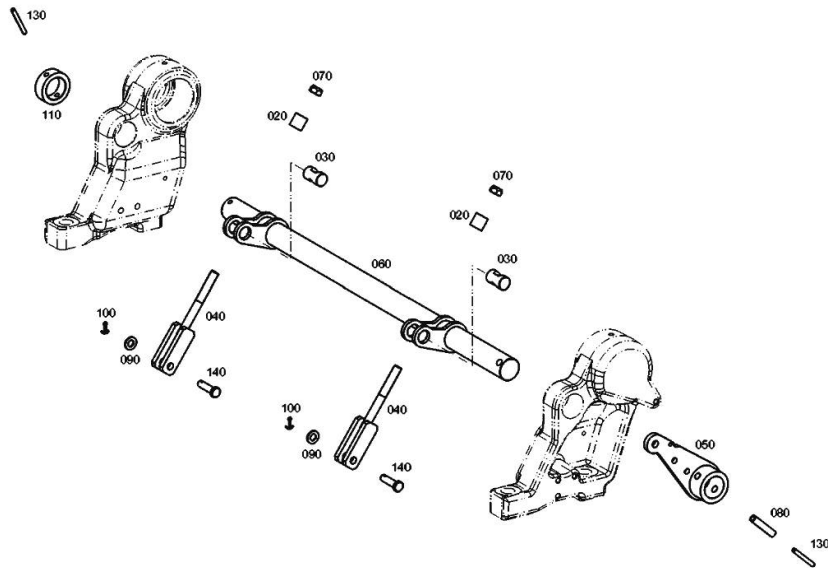
REAR BRAKES - 2095 011 003

Fig.	P/n	QTY	Name
10	0.900.1583.9	2	transmission brake
10.10	04435741	1	split pin
10.20	04435740	1	pin
10.30	04428551	1	rod
30	0.900.2018.5	2	operation
32	0.900.2124.5	2	breather
50	0.900.0469.7	6	screw m 10 x 40
60	0.900.2019.0	4	nut
70	04428558	1	tube sx/lh/li
80	04428559	1	tube dx/rh/re
88	0.900.0468.2	2	clamp 6x12
100	0.900.0280.1	2	screw m 5 x 25
110	0.900.2181.3	2	nut
120	0.900.2181.4	2	nut
200	0.900.0800.9	2	rubber bushing
210	0.900.1584.6	10	disc
220	0.900.0801.3	8	disc



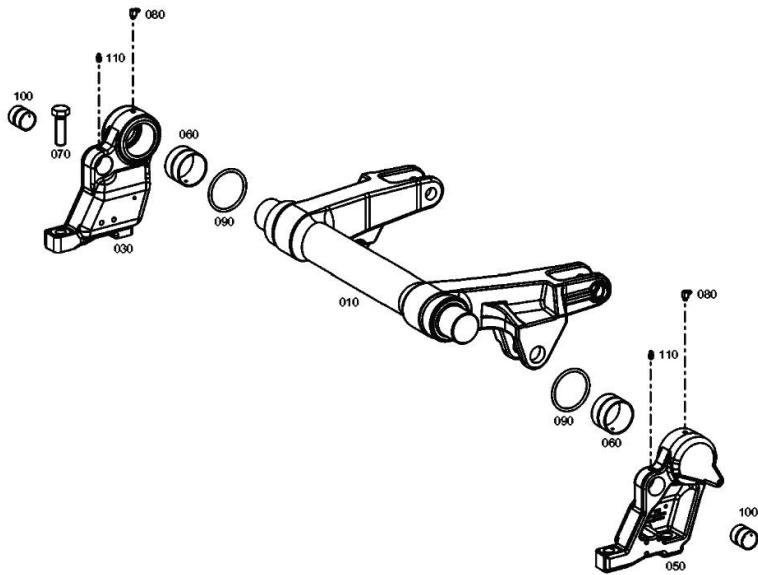
BRAKE CONTROLS - 2095 011 003

Fig.	P/n	QTY	Name
20	0.900.1239.8	2	tube
30	0.900.1239.9	2	pin
40	0.900.2095.0	2	rod
50	0.900.2124.6	1	lever
60	0.900.2095.1	1	shaft
70	0.900.0281.9	2	nut m 12
80	0.900.2018.9	1	pin
90	0.900.0466.9	2	washer
100	0.900.2082.0	2	pin
110	0.900.1240.3	1	spacer
130	0.010.2901.1	2	pin 6x50
140	0.900.2015.9	2	ring



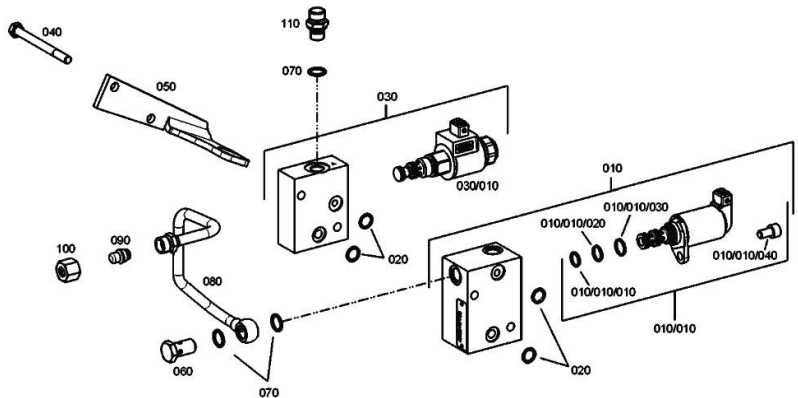
LIFTING - 2095 011 003

Fig.	P/n	QTY	Name
10	0.900.0824.6	1	shaft
30	0.900.1407.9	1	bearing block dx/rh/re
50	0.900.1408.0	1	bearing block sx/lh/li
60	04417549	2	special bushing
70	0.900.0469.1	4	screw m 20x65
80	0.900.0498.6	2	grease gun
90	04417552	2	ring 78.5x6
100	0.900.1431.3	2	bearing
110	0.010.2922.2	2	grease gun m 8 p.1 x 8



SOLENOID VALVE - 2095 011 003

Fig.	P/n	QTY	Name
10	0.900.0952.1	1	control
10.10	0.900.0952.8	1	solenoid valve DV
10.10.10	0.900.1377.6	1	gasket 13 x 1.5
10.10.20	0.900.1377.5	1	gasket 12,4 x 1,78
10.10.30	0.900.1377.7	1	gasket 14x1.78
10.10.40	0.900.1377.8	1	screw m 8 x 16
20	0.900.0801.4	4	ring 11,3 x 2,4 NBR-70-10
30	0.900.1363.3	1	small block
30.10	0.900.1384.6	1	solenoid valve
40	0.900.1405.5	2	screw m 8x90
50	0.900.1499.9	1	plate
60	0.900.2189.8	3	screw
70	04423731	1	oil seal 14 x 18
80	0.900.2181.6	1	pipng
90	0.900.1638.1	1	plug
100	0.900.2158.6	1	nut
110	0.900.2209.1	1	pipe union



Section: D0 - TRANSMISSION
GEARBOX - 2095 011 003

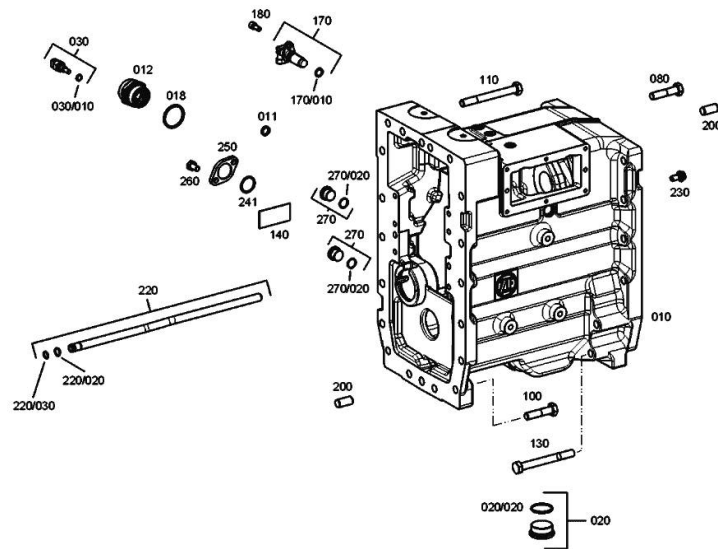
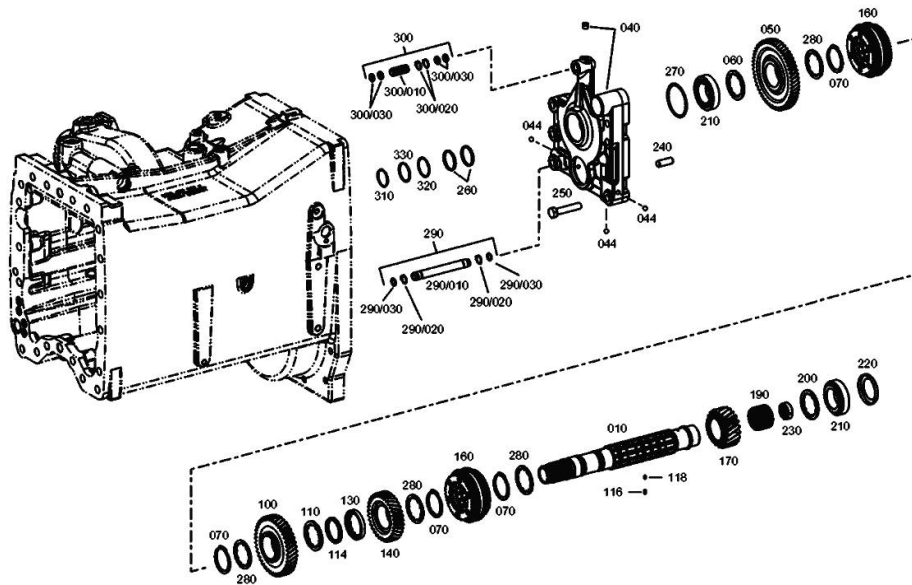


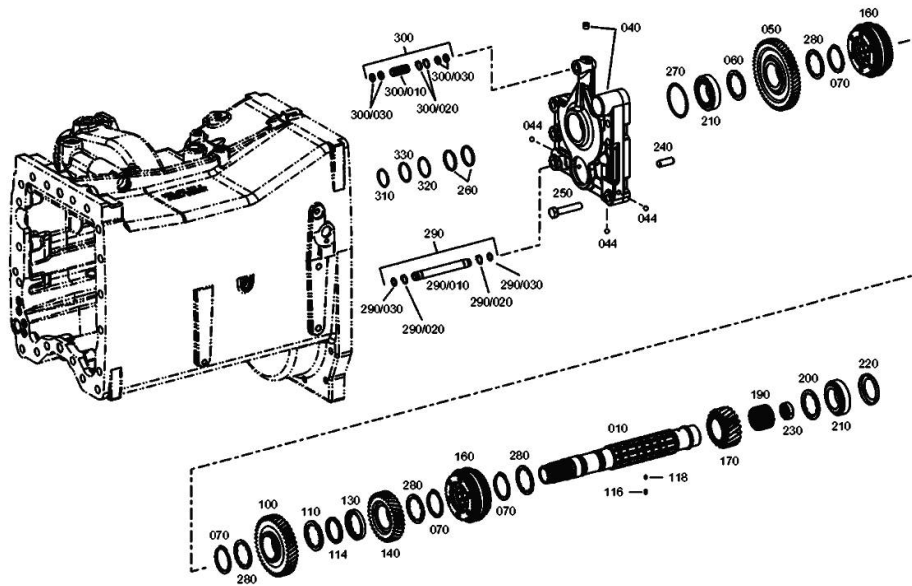
Fig.	P/n	QTY	Name
10	0.900.2189.9	1	box
11	04433579	1	oil seal 13.80 - 2.60
12	0.900.2182.1	1	insert
18	01118830	1	oil seal 42x49
20	04435197	1	plug
20.20	02315144	1	oil seal 38x2.5
30	0.900.0800.6	1	temperature gauge
30.10	0.900.0801.6	1	ring 11x2 ZFN 744 FPM-80-10
80	0.010.2887.1	1	screw m 14 x 60
100	0.010.2887.1	12	screw m 14 x 60
110	0.010.3354.1	6	screw m 14x130
130	0.010.3354.1	4	screw m 14x130
140	04416088	1	number plate
170	04438450	1	speed sensor L = 53,0mm
170.10	04417747	1	oil seal 15.54x2.62
180	04434551	1	screw m 8 p.1.25 x 20
200	04416090	4	cylindrical plug 16 m 6x30
220	0.010.3437.0	1	flexible hose
220.20	0.010.3344.1	1	circlip 15x1
220.30	06214801	1	oil seal 12x1.5
230	04416628	1	screw
241	0.010.3257.2	1	gasket 28x2.5
250	0.900.2190.0	1	cover
260	0.900.1639.3	2	screw
270	04434343	2	screw
270.20	04415900	1	oil seal

Fig.	P/n	QTY	Name
10	0.900.0956.3	1	shaft
40	0.900.1289.3	1	cap
44	04415909	3	ball
50	0.900.2183.3	1	gear
60	04416108	1	shim mm 3.2
70	04416096	4	circlip
100	0.900.0956.1	1	gear
110	04416099	1	shim mm 4.0
114	04416100	1	ring
116	04416101	1	pin 4x8
118	04416102	1	pin 2.5x8
130	04416103	1	shim
140	0.900.2183.4	1	gear
160	0.900.0462.5	2	lock synchronizer
170	0.900.2183.5	1	gear
190	0.900.2223.5	1	needle
200	0.010.3418.0	1	washer mm 3.3
200	0.010.3418.1	1	washer mm 3.4
200	04416108	1	shim mm 3.2
200	04416109	1	shim mm 3.5
210	04416110	2	roller bearing
220	02374320	1	fan
230	04416112	1	bearing
240	04416439	2	cylindrical plug 12x25
250	0.010.3354.2	6	screw m 12 x 60
260	04335064	2	oil seal 34x3
270	04417246	1	shim mm 1.00
270	04417247	1	shim mm 1.05
270	04417248	1	shim mm 1.10
270	04417249	1	shim mm 1.15
270	04417250	1	shim mm 1.20
270	04417251	1	shim mm 1.25
270	04417252	1	shim mm 1.30
270	04417253	1	shim mm 1.35
270	04417254	1	shim mm 1.40
270	04417268	1	shim mm 1.45
270	04417269	1	shim mm 1.50
270	04417270	1	shim mm 1.60
270	04417271	1	shim mm 1.60
270	04419713	1	shim mm 1.65
270	04419714	1	shim mm 1.70
270	04419715	1	shim mm 1.75
270	04419716	1	shim mm 1.80
270	04419717	1	shim mm 1.85



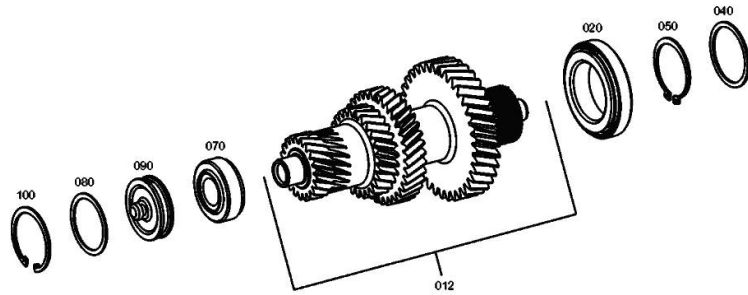
Section: D0 - TRANSMISSION
LAYSHAFT - 2095 011 003

Fig.	P/n	QTY	Name
270	04419718	1	shim mm 1.90
270	04419719	1	shim mm 1.95
270	04419720	1	shim mm 2.00
270	04419721	1	shim mm 2.05
270	04419722	1	shim mm 2.10
270	04419723	1	shim mm 2.15
270	04419724	1	shim mm 2.20
280	0.900.0282.7	1	slewing ring
290	0.010.3437.1	4	flexible hose
290.10	04416629	1	tube
290.20	0.010.3344.1	2	circlip 15x1
290.30	06214801	2	oil seal 12x1.5
300	0.010.3436.1	1	flexible hose
300.10	04431768	1	tube
300.20	0.010.3344.1	2	circlip 15x1
300.30	04419168	4	oil seal 11x2.5
310	0.900.0293.6	1	locking segment
320	04431776	1	ring mm 1.30
330	04416116	1	circlip



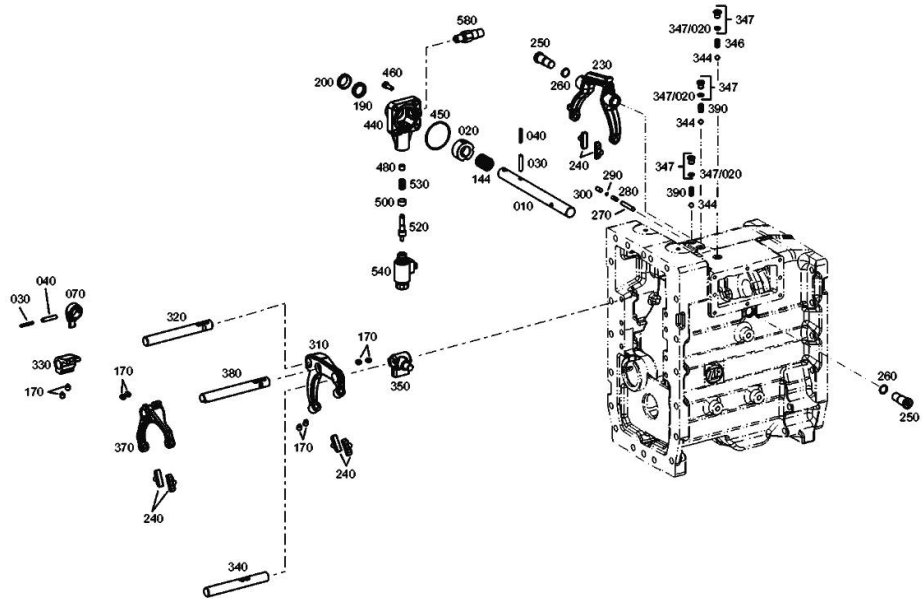
MAIN SHAFT - 2095 011 003

Fig.	P/n	QTY	Name
12	0.900.2183.6	1	main shaft
20	04438468	1	roller bearing
40	04417051	1	washer mm 2.40
40	04417052	1	washer mm 2.45
40	04417053	1	washer mm 2.50
40	04417054	1	washer mm 2.55
40	04417055	1	washer mm 2.60
40	04424430	1	washer mm 2.65
40	04424431	1	washer mm 2.70
50	0.010.3345.2	1	circlip 52x2
70	04368537	1	roller bearing
80	0.010.3395.0	1	small block mm 1.75
80	0.010.3395.1	1	small block mm 1.80
80	0.900.2183.7	1	washer
80	0.900.2183.8	1	washer
80	0.900.2183.9	1	washer
80	04416486	1	shim mm 1.30
80	04416487	1	shim mm 1.35
80	04416488	1	shim mm 1.40
80	04416489	1	shim mm 1.45
80	04416490	1	shim mm 1.50
80	04416491	1	shim mm 1.55
80	04416492	1	shim mm 1.60
80	04416493	1	shim mm 1.65
80	04416494	1	shim mm 1.70
90	04416612	1	ring
100	04416121	1	circlip 57x2



DRIVE - 2095 011 003

Fig.	P/n	QTY	Name
10	0.900.0285.4	1	shaft
20	0.900.0285.3	1	ring
30	04416371	2	pin
40	04416191	2	pin 5 x 36
70	0.900.0284.8	1	lever
144	0.900.0283.1	1	clip
170	01272647	9	stud bolt L = 13.7
190	04415773	1	oil seal 25x35x7
200	04415774	1	oil seal AS 25x35x7x10
230	0.900.0956.5	1	fork
240	04415779	6	shoe
250	04416145	2	screw
260	0.010.2619.1	2	oil seal 17x2
270	04415787	1	ferrule
280	01299482	1	spring
290	04415788	1	circlip B 7 din 7993
300	04416148	1	ferrule
310	0.900.0956.7	1	fork
320	0.900.1408.7	1	rod
330	04416151	1	control panel
340	0.900.0285.6	1	rod
344	04309268	3	ball
346	01272113	1	spring
347	04433215	3	plug
347.20	04415796	1	oil seal 9.5x2
350	0.900.0285.1	1	driver
370	0.900.0956.4	1	fork
380	0.900.1408.6	1	rod
390	04416041	2	spring
440	0.900.0285.2	1	cover
450	0.900.0279.0	1	ring
460	04434546	2	screw m 8 x 30
480	0.900.1405.2	1	bearing
500	04416443	1	bearing
520	0.900.0286.7	1	interlock
530	0.010.3420.0	1	spring
540	0.010.3343.0	1	electromagnet
580	04416066	1	switch



Thank you so much for reading.
Please click the “Buy Now!”
button below to download the
complete manual.



After you pay.

You can download the most
perfect and complete manual in
the world immediately.

Our support email:

ebooklibonline@outlook.com