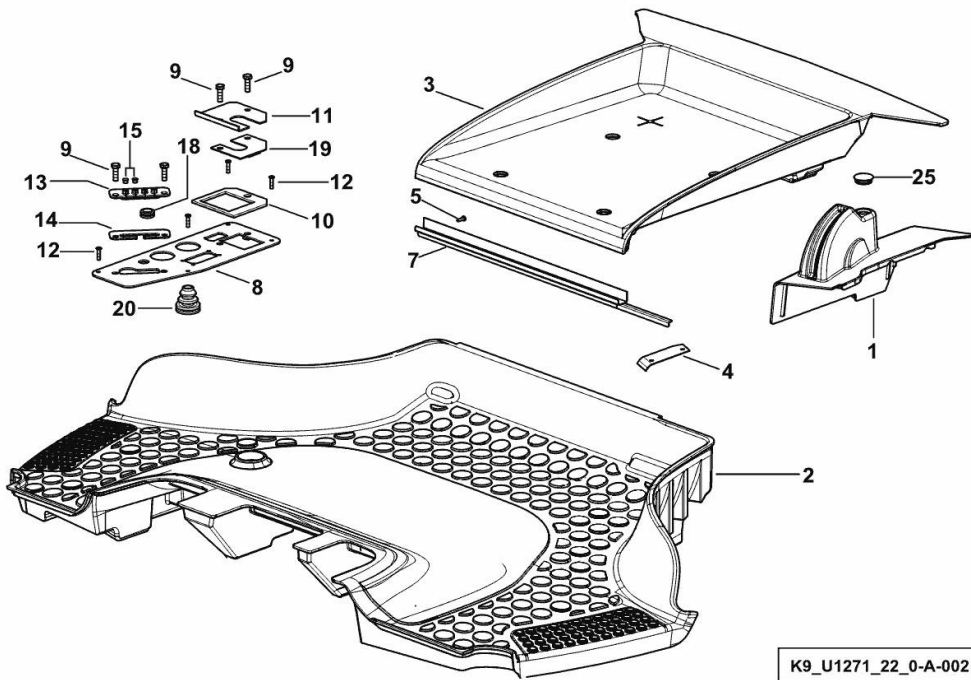


CAB FLOOR COVERING

Fig.	P/n	QTY	Name
------	-----	-----	------

Notes:
[FORTIS 140.4]

1	0.020.1422.0S	1	cover
2	0.012.6504.2/10	1	mat
3	04429039/10	1	mat
4	0.018.0181.0	1	bracket
5	04426906	1	screw 4.2x16
7	04429938	1	channel
8	0.019.3556.3/10	1	plate
9	2.0114.209.2	4	screw m 8 x 25
10	0.015.6237.0	1	gasket
11	0.015.3731.0/30	1	plate
12	01176029	4	rivet a5x21 h2416
13	04429293	1	gasket
14	04429437	1	plate
15	01167308	2	plug 7.2x5.2x9
18	2.6569.056.0	1	grommet
19	0.017.5546.2	1	bracket
20	06544636	2	bellows
25	2.3199.326.0	1	plug



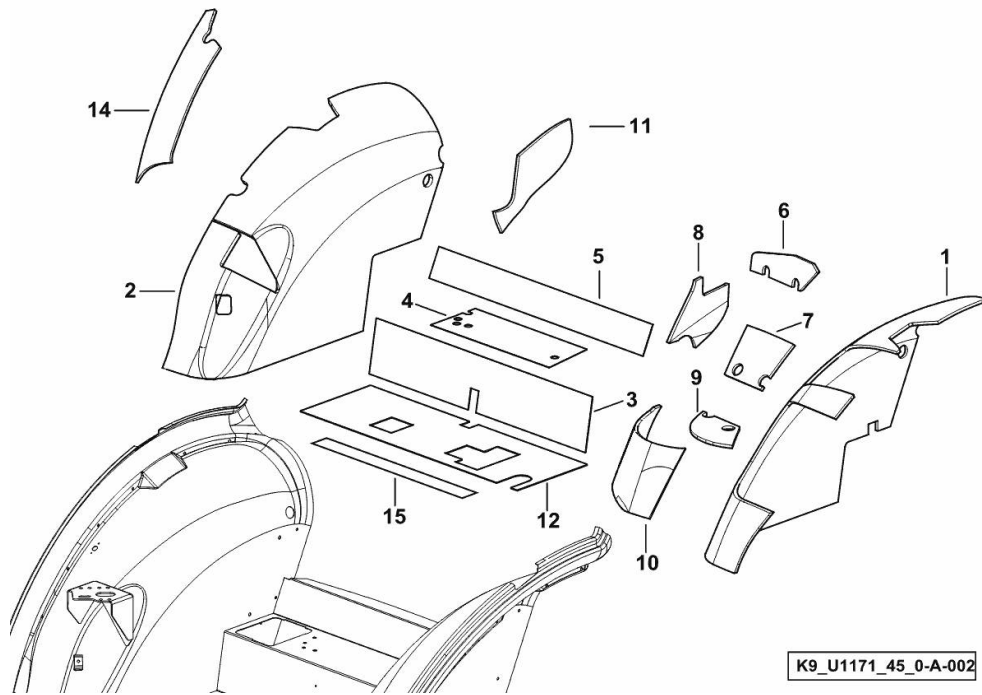
K9_U1271_22_0-A-002

Section: G0 - BODYWORK - CAB
CAB SOUNDPROOF PANELS

Fig.	P/n	QTY	Name
------	-----	-----	------

Notes:
 [FORTIS 140.4]

1	0.017.0056.0/30	1	sound deadening sx/lh/li
2	0.019.8706.0	1	sound deadening dx/rh/re
3	04439939/10	1	sound deadening
4	04439940/10	1	sound deadening
5	04439941/10	1	sound deadening
6	0.017.0079.0/10	1	sound deadening sx/lh/li
7	0.017.0065.0	1	sound deadening sx/lh/li
8	0.017.0078.0	1	sound deadening sx/lh/li
9	0.017.0064.0	1	sound deadening sx/lh/li
10	0.017.0063.0	1	sound deadening sx/lh/li
11	0.017.0075.0/10	1	sound deadening dx/rh/re
12	04439938/10	1	sound deadening
14	0.017.0069.0	1	sound deadening dx/rh/re
15	01388899	0.5	gasket



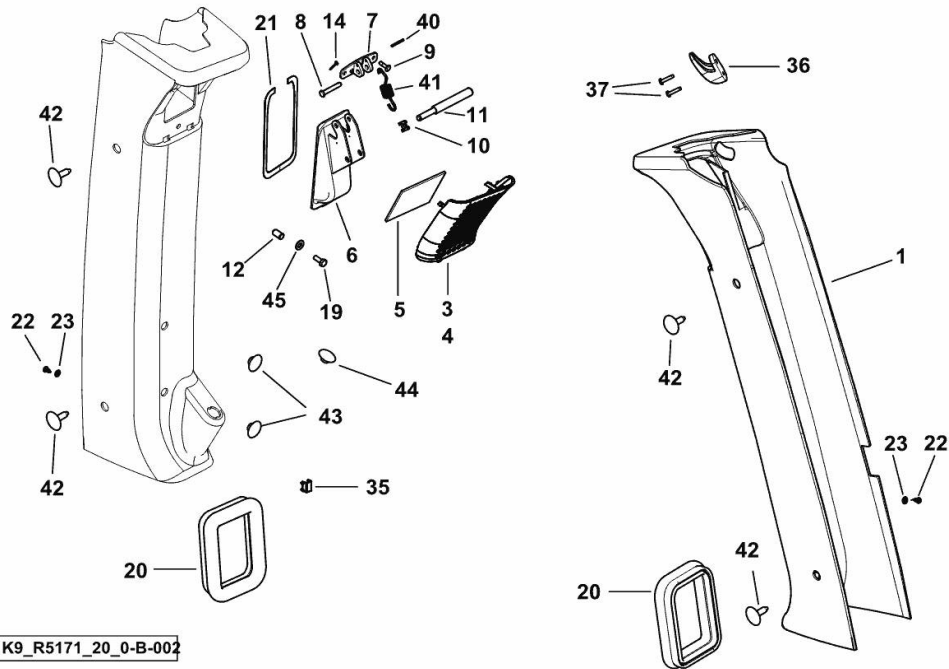
INTERNAL CAB LININGS SX/LH/LI - DX/RH/RE

Fig.	P/n	QTY	Name
------	-----	-----	------

Notes:

FOR TYPES WITH FIXED FRONT WINDSCREEN [FORTIS 140.4]

1	0.016.4301.0/20	1	lining sx/lh/li
3	0.016.4307.0	1	grille sx/lh/li
4	0.016.4305.0	1	grille dx/rh/re
5	0.011.3775.0	2	filter
6	0.010.9688.0/10	2	switch
7	0.010.9689.0/10	2	support
8	2.1671.111.2	2	pin 6x38
9	2.1856.307.0	4	rivet 4.8x12
10	2.1680.004.2	2	clip Ø 8
11	2.1699.523.2	2	pin
12	2.1142.010.2	2	insert m 6
14	2.1690.106.2	2	split pin 1.6x16
19	2.0330.407.2	2	screw m 6 p.1 x 20
20	0.011.4085.0/20	2	gasket mm 390
21	0.011.0057.0/10	2	gasket
22	2.0350.405.3	2	screw m 4.2 x 16
23	2.1310.001.2	2	flat washer 5.3 x 10
35	04418149/10	2	clip
36	0.007.6732.0	1	coat hanger
37	2.0350.255.3	2	screw m 3.5 x 16 -AB-
40	2.1630.111.0	2	roll pin 2.5x24
41	2.4049.216.2/10	2	spring
42	01175900	4	plug
43	04425759	2	cap
44	04413366	1	plug 20.6
45	2.1312.003.2	2	washer 6



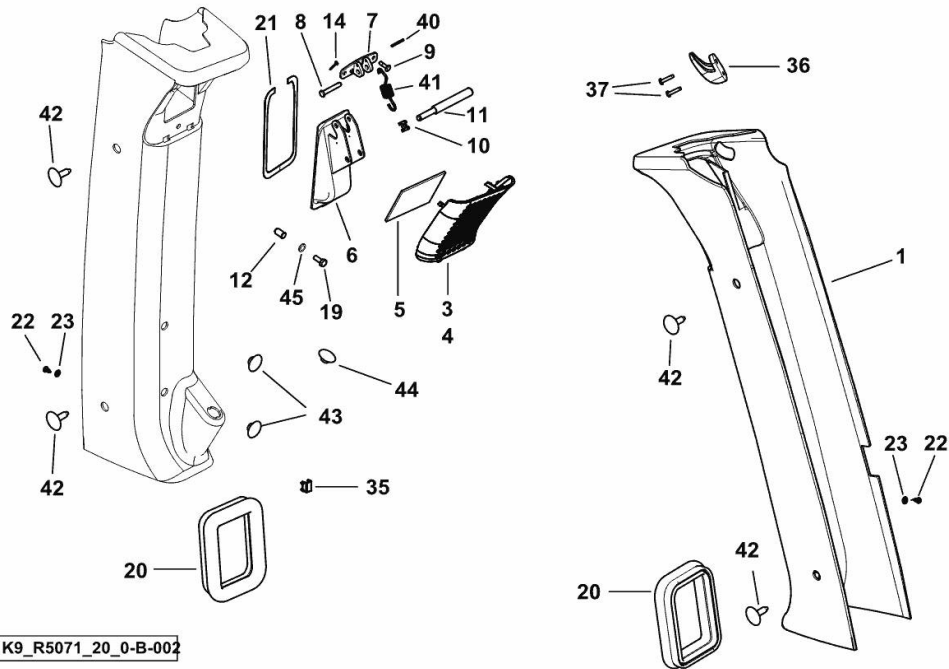
INTERNAL CAB LININGS SX/LH/LI - DX/RH/RE

Fig.	P/n	QTY	Name
------	-----	-----	------

Notes:

FOR TYPES W/ OPENABLE FRONT WINDSCREEN [FORTIS 140.4]

1	0.016.4301.0/20	1	lining sx/lh/li
3	0.016.4307.0	1	grille sx/lh/li
4	0.016.4305.0	1	grille dx/rh/re
5	0.011.3775.0	2	filter
6	0.010.9688.0/10	2	switch
7	0.010.9689.0/10	2	support
8	2.1671.111.2	2	pin 6x38
9	2.1856.307.0	4	rivet 4.8x12
10	2.1680.004.2	2	clip Ø 8
11	2.1699.523.2	2	pin
12	2.1142.010.2	2	insert m 6
14	2.1690.106.2	2	split pin 1.6x16
19	2.0330.407.2	2	screw m 6 p.1 x 20
20	0.011.4085.0/20	2	gasket mm 390
21	0.011.0057.0/10	2	gasket
22	2.0350.405.3	2	screw m 4.2 x 16
23	2.1310.001.2	2	flat washer 5.3 x 10
35	04418149/10	2	clip
36	0.007.6732.0	1	coat hanger
37	2.0350.255.3	2	screw m 3.5 x 16 -AB-
40	2.1630.111.0	2	roll pin 2.5x24
41	2.4049.216.2/10	2	spring
42	01175900	4	plug
43	04425759	2	cap
44	04413366	1	plug 20.6
45	2.1312.003.2	2	washer 6

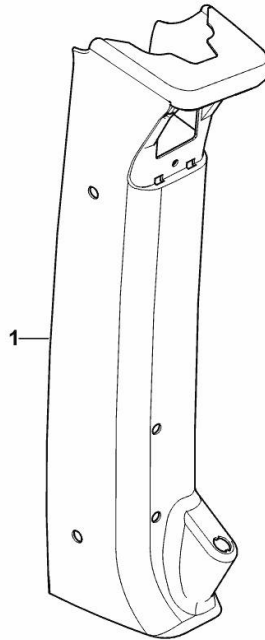


INTERNAL CAB LININGS - DX/RH/RE

Fig.	P/n	QTY	Name
------	-----	-----	------

Notes:
[FORTIS 140.4]

1	0.016.4300.0/20	1	lining dx/rh/re
---	-----------------	---	-----------------



K9_R5271_20_0-A-001

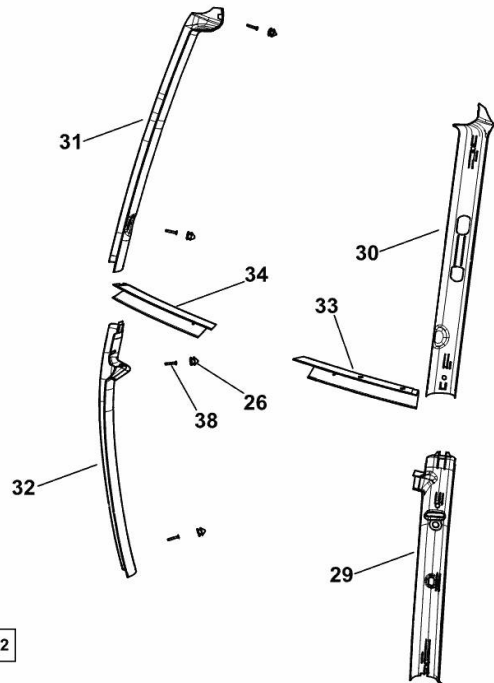
INTERNAL CAB LININGS SX/LH/LI - DX/RH/RE

Fig.	P/n	QTY	Name
------	-----	-----	------

Notes:

FOR TYPES WITH FIXED FRONT WINDSCREEN [FORTIS 140.4] -> 50010

26	04419538	8	cap
29	0.016.4293.0	1	cover sx/lh/li
30	0.016.4287.0/20	1	cover sx/lh/li
31	0.016.4290.0/10	1	cover dx/rh/re
32	0.017.0363.0	1	cover dx/rh/re
33	0.016.4299.0	1	cover sx/lh/li
34	0.016.4298.0	1	cover dx/rh/re
38	2.0351.559.3	8	screw m 4.8x32



K9_R5171_20_0-A-002

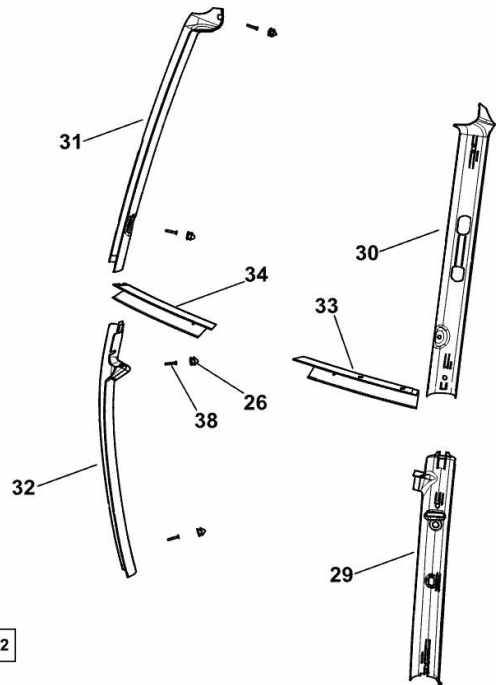
INTERNAL CAB LININGS SX/LH/LI - DX/RH/RE

Fig.	P/n	QTY	Name
------	-----	-----	------

Notes:

FOR TYPES W/ OPENABLE FRONT WINDSCREEN [FORTIS 140.4]

26	04419538	8	cap
29	0.016.4293.0	1	cover sx/lh/li
30	0.017.9970.0/10	1	cover sx/lh/li
31	0.017.9971.0	1	cover dx/rh/re
32	0.017.0363.0	1	cover dx/rh/re
33	0.016.4299.0	1	cover sx/lh/li
34	0.016.4298.0	1	cover dx/rh/re
38	2.0351.559.3	8	screw m 4.8x32



K9_R5071_20_0-A-002

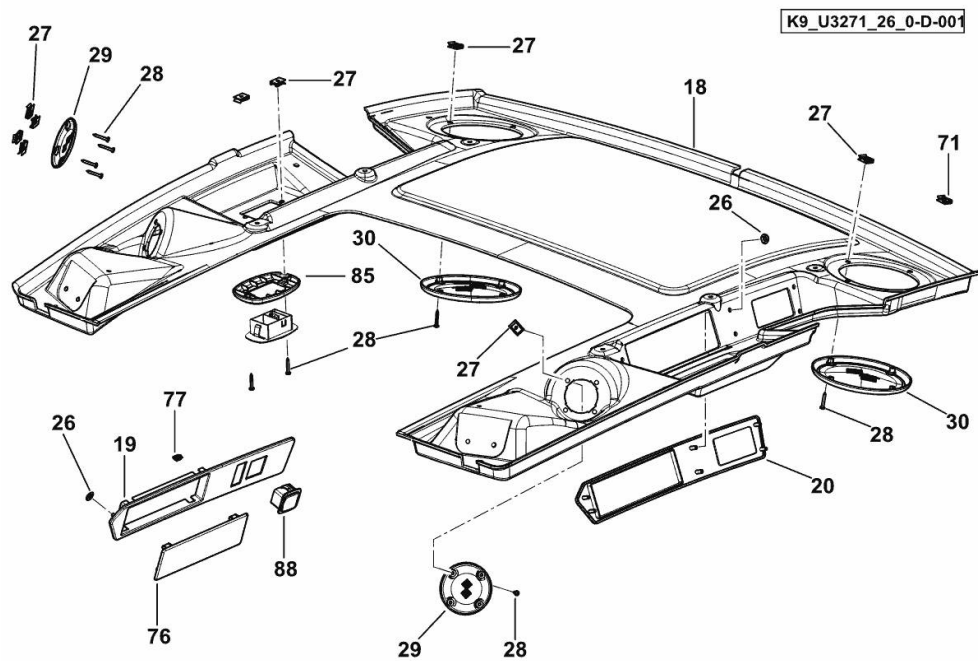
INTERIOR TRIM F.O.P.S.

Fig.	P/n	QTY	Name
------	-----	-----	------

Notes:

- FOR TYPES WITH F.O.P.S. [FORTIS 140.4]

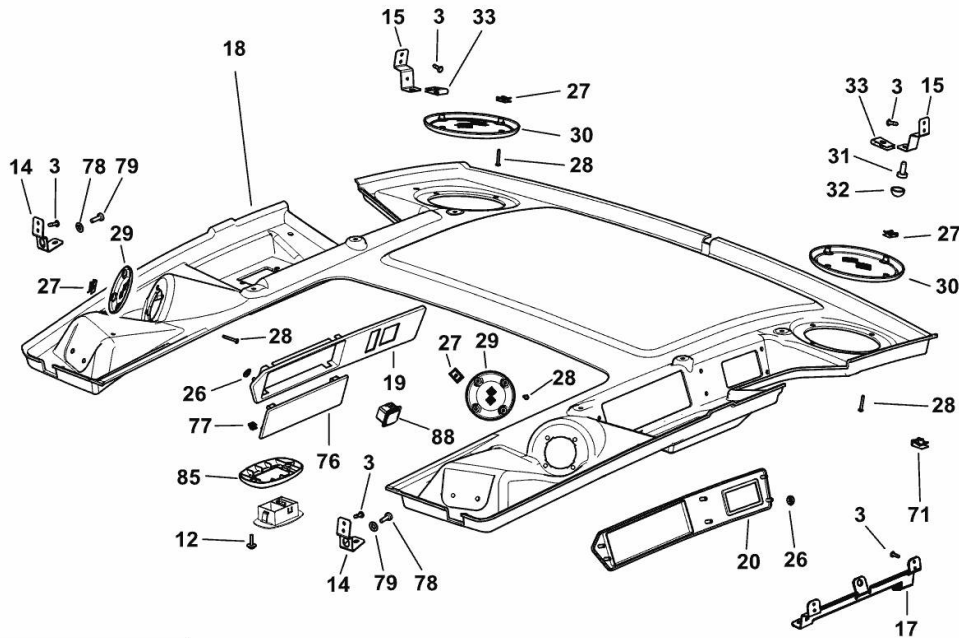
18	0.016.4223.0/10	1	inner cab roof panel
19	0.016.2828.0/10	1	front grille dx/rh/re
20	0.016.7603.0	1	front grille sx/lh/li
26	2.6999.053.0	12	clip D5x15
27	2.6999.052.0	18	clip m 3.5
28	2.0350.258.3	18	screw m 3.5 x 25
29	0.012.1723.0	2	grille
30	0.012.1724.0	2	grille
71	2.6999.064.6	2	special nut m 6
76	0.013.7536.0/10	1	plug
77	0.013.4283.0	4	clip
85	0.016.2826.0/10	1	frame
88	0.016.7902.0	1	plug



INTERIOR TRIM

Fig.	P/n	QTY	Name
------	-----	-----	------

Notes:
[FORTIS 140.4]



K9_L0271_26_0-D-001

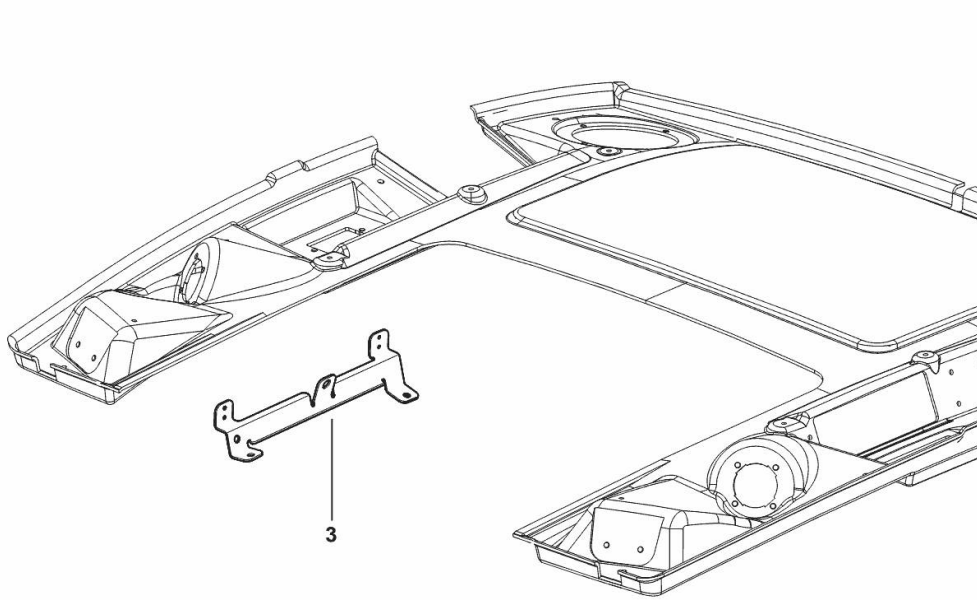
3	2.1856.307.0	20	rivet 4.8x12
12	2.0363.306.3	15	screw m 6x18
14	0.016.1365.0/10	2	bracket
15	0.011.3831.0	2	bracket
17	0.011.3828.0/10	1	bracket sx/lh/li
18	0.016.4223.0/10	1	inner cab roof panel
19	0.016.2828.0/10	1	front grille dx/rh/re
20	0.016.7603.0	1	front grille sx/lh/li
26	2.6999.053.0	12	clip D5x15
27	2.6999.052.0	18	clip m 3.5
28	2.0350.258.3	18	screw m 3.5 x 25
29	0.012.1723.0	2	grille
30	0.012.1724.0	2	grille
31	04428727	14	screw
32	04419538	14	cap
33	2.6999.047.0	10	clip
71	2.6999.064.6	2	special nut m 6
76	0.013.7536.0/10	1	plug
77	0.013.4283.0	4	clip
78	2.0362.206.2	2	screw m 6x18
79	2.1310.004.2	2	flat washer 8.4x17
85	0.016.2826.0/10	1	frame
88	0.016.7902.0	1	plug

FIXINGS FOR CAB INTERIOR TRIM

Fig.	P/n	QTY	Name
------	-----	-----	------

Notes:
[FORTIS 140.4]

3	0.011.3827.0/10	1	bracket dx/rh/re
---	-----------------	---	------------------



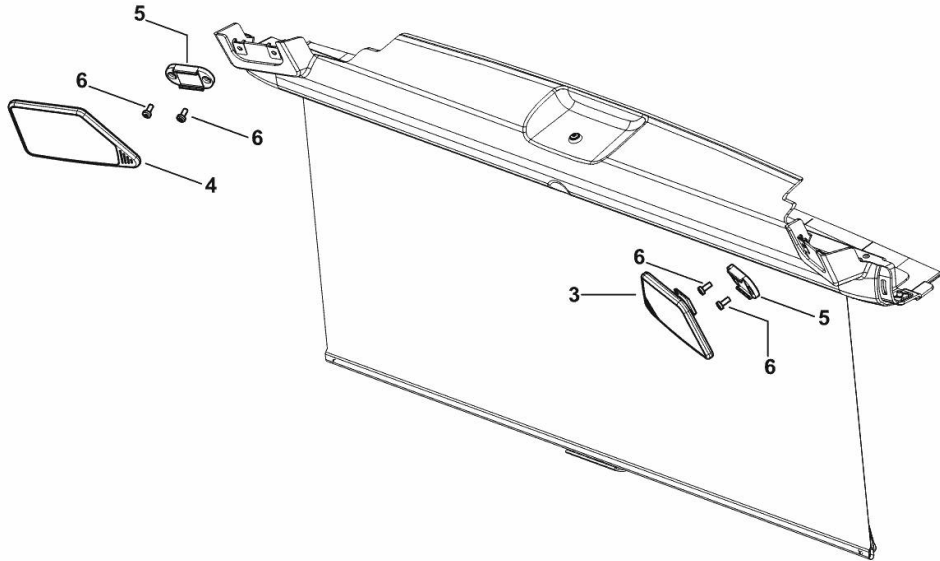
K9_L0284_16_0-B-001

REARVIEW MIRROR

Fig.	P/n	QTY	Name
------	-----	-----	------

Notes:
[FORTIS 140.4]

3	0.012.2112.4	1	mirror dx/rh/re
4	0.012.2111.4	1	mirror sx/lh/li
5	0.012.2107.0/10	2	support
6	2.0330.304.2	9	screw m 5 x 12



K9_J5771_28_0-B-001

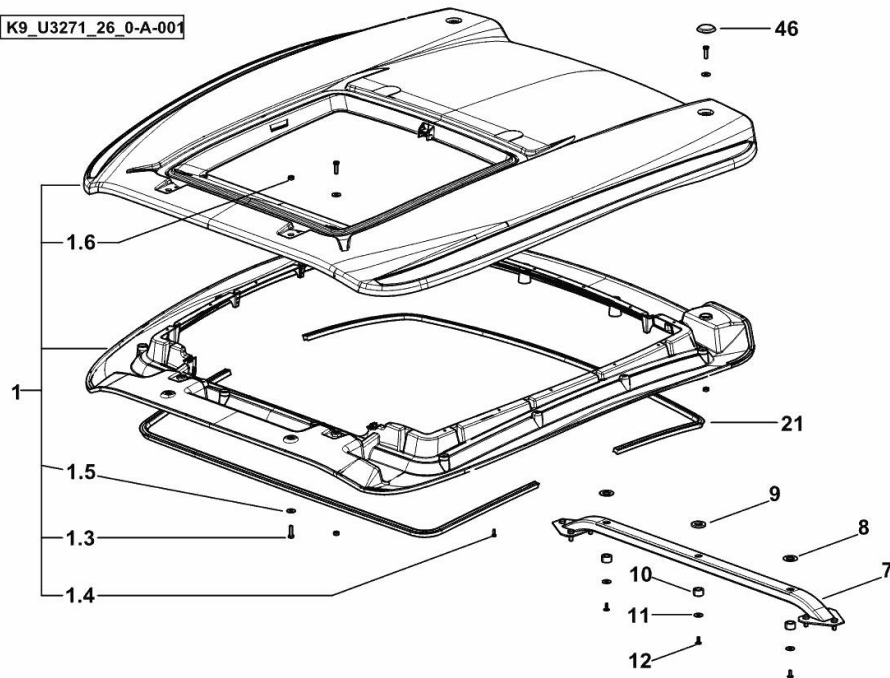
Section: G0 - BODYWORK - CAB
DRIVER'S CAB ROOF F.O.P.S.

Fig.	P/n	QTY	Name
------	-----	-----	------

Notes:
 - FOR TYPES WITH F.O.P.S. [FORTIS 140.4]

1	0.012.9222.4/10	1	roof
1.3	2.0112.211.2	6	screw m 8 p.1.25 x 30
1.4	2.0363.306.3	12	screw m 6x18
1.5	2.1312.004.2	6	washer 8x24x2
1.6	2.1011.105.2	6	nut m 8 p.1.25
7	0.010.7460.3/10	1	crosspiece
8	2.1569.183.0	1	rubber plug Ø 40x5
9	2.1569.198.0	2	rubber plug Ø 40x2
10	2.1569.181.0	3	rubber plug Ø 28x16
11	2.1312.004.3	3	washer 8,4x24x2
12	2.0363.306.3	15	screw m 6x18
21	04438115/10	2	gasket mm 2000
46	04413793	11	cap

K9_U3271_26_0-A-001



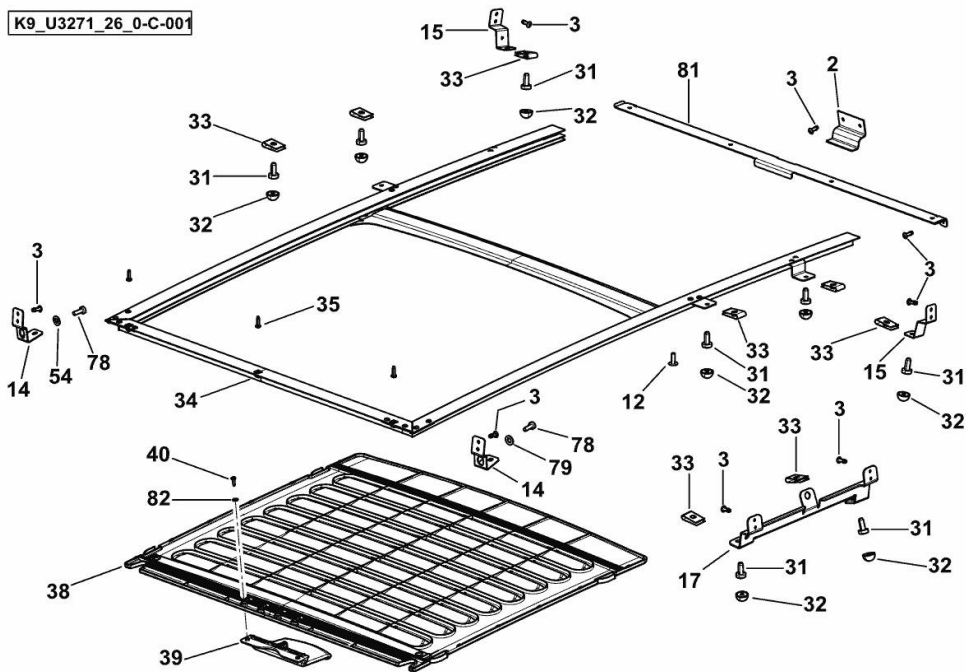
ROOF KIT F.O.P.S.

Fig.	P/n	QTY	Name
------	-----	-----	------

Notes:

- FOR TYPES WITH F.O.P.S. [FORTIS 140.4]

K9_U3271_26_0-C-001



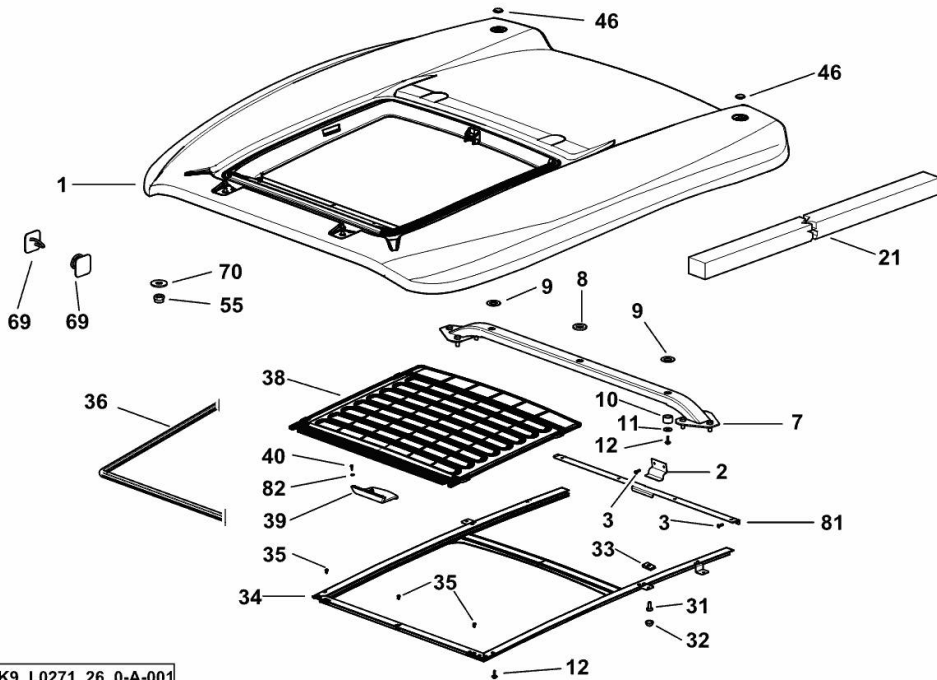
2	0.011.0678.0	1	bracket
3	2.1856.307.0	20	rivet 4.8x12
12	2.0363.306.3	15	screw m 6x18
14	0.016.1365.0/10	2	bracket
15	0.011.3831.0	2	bracket
17	0.011.3828.0/10	1	bracket sx/lh/li
31	04428727	14	screw
32	04419538	14	cap
33	2.6999.047.0	10	clip
34	0.010.7783.3/10	1	chassis frame
35	2.0350.405.3	3	screw m 4.2 x 16
38	0.016.4321.2/10	1	canopy
39	0.016.3611.0/20	1	handle
40	2.0350.204.6	5	screw m 3.5x13B
54	2.1310.004.2	10	flat washer 8.4x17
78	2.0362.206.2	2	screw m 6x18
79	2.1310.004.2	2	flat washer 8.4x17
81	0.015.4077.0	1	bracket
82	2.1310.028.2	5	flat washer

DRIVER'S CAB ROOF

Fig.	P/n	QTY	Name
------	-----	-----	------

Notes:
[FORTIS 140.4]

1	0.012.9222.4/10	1	roof
2	0.011.0678.0	1	bracket
3	2.1856.307.0	20	rivet 4.8x12
7	0.010.7460.3/10	1	crosspiece
8	2.1569.183.0	1	rubber plug Ø 40x5
9	2.1569.198.0	2	rubber plug Ø 40x2
10	2.1569.181.0	3	rubber plug Ø 28x16
11	2.1312.004.3	3	washer 8,4x24x2
12	2.0363.306.3	15	screw m 6x18
21	04438115/10	2	gasket mm 2000
31	04428727	14	screw
32	04419538	14	cap
33	2.6999.047.0	10	clip
34	0.010.7783.3/10	1	chassis frame
35	2.0350.405.3	3	screw m 4.2 x 16
36	0.010.9556.0	1	gasket mm 1760
38	0.016.4321.2/10	1	canopy
39	0.016.3611.0/20	1	handle
40	2.0350.204.6	5	screw m 3.5x13B
46	04413793	11	cap
55	2.1120.105.2	9	self-locking nut m 8 p.1.25
69	0.012.6105.0	14	stop
70	2.1312.004.2	4	washer 8x24x2
81	0.015.4077.0	1	bracket
82	2.1310.028.2	5	flat washer



K9_L0271_26_0-A-001

Section: G0 - BODYWORK - CAB
SKYLIGHT F.O.P.S.

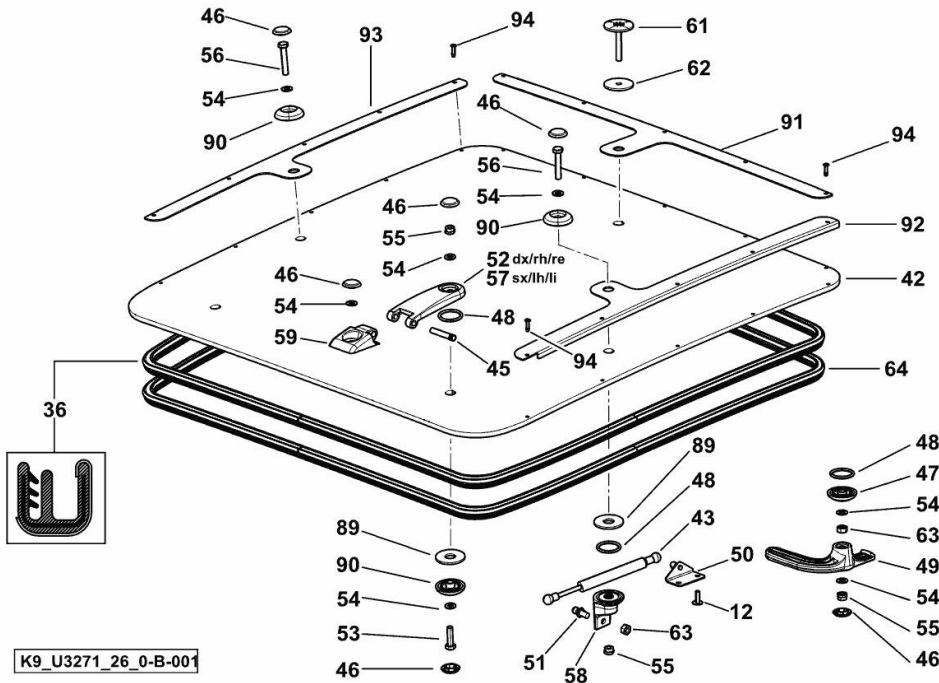


Fig.	P/n	QTY	Name
------	-----	-----	------

Notes:
 - FOR TYPES WITH F.O.P.S. [FORTIS 140.4]

12	2.0363.306.3	15	screw m 6x18
36	0.010.9556.0	1	gasket mm 1760
42	0.020.6570.0	1	window glass
43	04414159	2	shock absorber
45	2.1699.486.2	2	pin
46	04413793	11	cap
47	04411716	1	washer
48	2.1530.078.0	5	oil seal 29.74x3.53
49	0.010.6477.0	1	handle
50	0.010.7739.3	2	support
51	04399070	2	ball joint
52	0.010.7525.0	1	hinge dx/rh/re
53	2.0112.211.2	2	screw m 8 p.1.25 x 30
54	2.1310.004.2	10	flat washer 8.4x17
55	2.1120.105.2	9	self-locking nut m 8 p.1.25
56	2.0112.217.2	2	screw m 8 p.1.25 x 45
57	0.010.6479.0	1	hinge sx/lh/li
58	0.010.7738.0/10	2	support
59	0.010.6480.0	2	hinge
61	0.010.7736.2	1	screw
62	0.010.7737.0	1	gasket
63	2.1011.105.2	3	nut m 8 p.1.25
64	0.010.8352.0	1	gasket mm 2900
89	2.1499.197.0	4	gasket 16x44x3
90	04429423	4	washer
91	0.020.5778.0	1	brace
92	0.020.5853.0	1	brace dx/rh/re
93	0.020.5883.0	1	brace sx/lh/li
94	2.1856.205.0	15	rivet

Thank you so much for reading.
Please click the “Buy Now!”
button below to download the
complete manual.



After you pay.

You can download the most
perfect and complete manual in
the world immediately.

Our support email:

ebooklibonline@outlook.com