

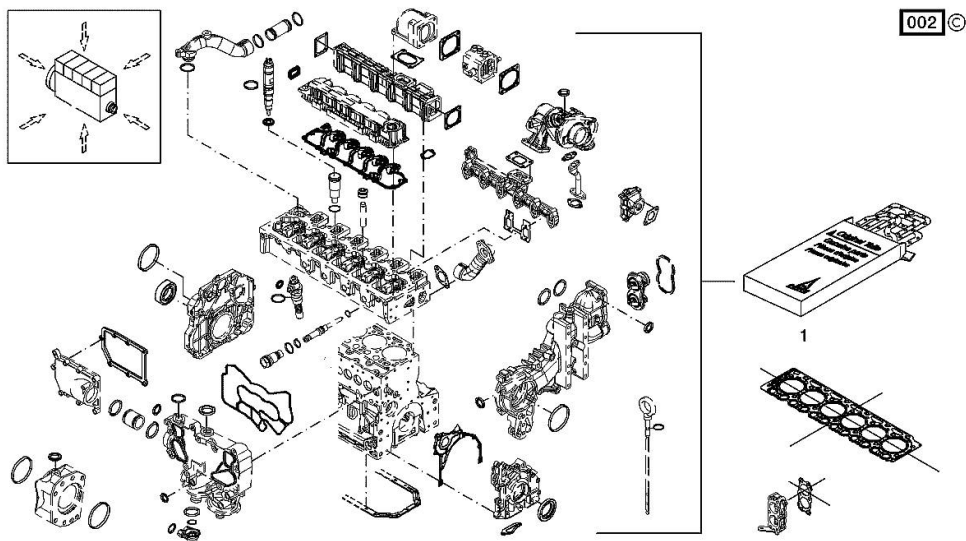
Section: B0 - ENGINE
SERIE GUARNIZIONI

Fig.	P/n	QTY	Name
------	-----	-----	------

Notes:
 [FORTIS 140]

Engine serial number:
 11425626 11428072 11428073 11428074 11443761 11443762 11443763 11479197 11479198 11484755 11484756
 11519365 11519366 11519367 11519368 11519369 11519370 11519371 11519372 11519373 11519374 11526476
 11526477 11526478 11526479 11526480 11526481 11527170 11527339 11527340 11527341 11527342 11527343
 11527344 11527345 11527346 11527347 22000413 22000430 22000592 22000593 22000594 22000595

1	02937844	1	gasket set THE KIT DOES NOT CONTAIN ALL THE GASKETS: SEE SM 0199-99-9449
---	----------	---	--



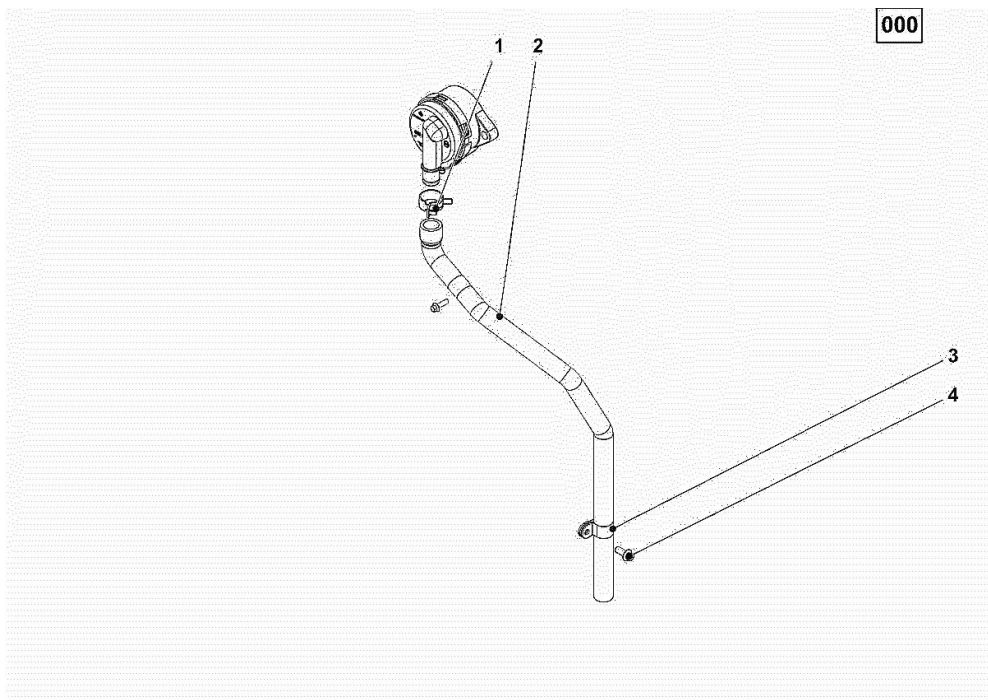
Section: B0 - ENGINE

BLEEDING TUBE

Fig.	P/n	QTY	Name
------	-----	-----	------

Notes:
[FORTIS 140]

Engine serial number:
 11425626 11428072 11428073 11428074 11443761 11443762 11443763 11479197 11479198 11484755 11484756
 11519365 11519366 11519367 11519368 11519369 11519370 11519371 11519372 11519373 11519374 11526476
 11526477 11526478 11526479 11526480 11526481 11527170 11527339 11527340 11527341 11527342 11527343
 11527344 11527345 11527346 11527347 22000413 22000430 22000592 22000593 22000594 22000595



1	01178750	1	clamp DIN 3021 -A-29X15
2	04504657	1	tube
3	01173523	2	fascia DIN 3016 -1-A1-25X20-W1-2
4	01181433	1	screw 20 Nm EN 1662 -F-M8X20-LG2,5-10.9-ZNAL-A

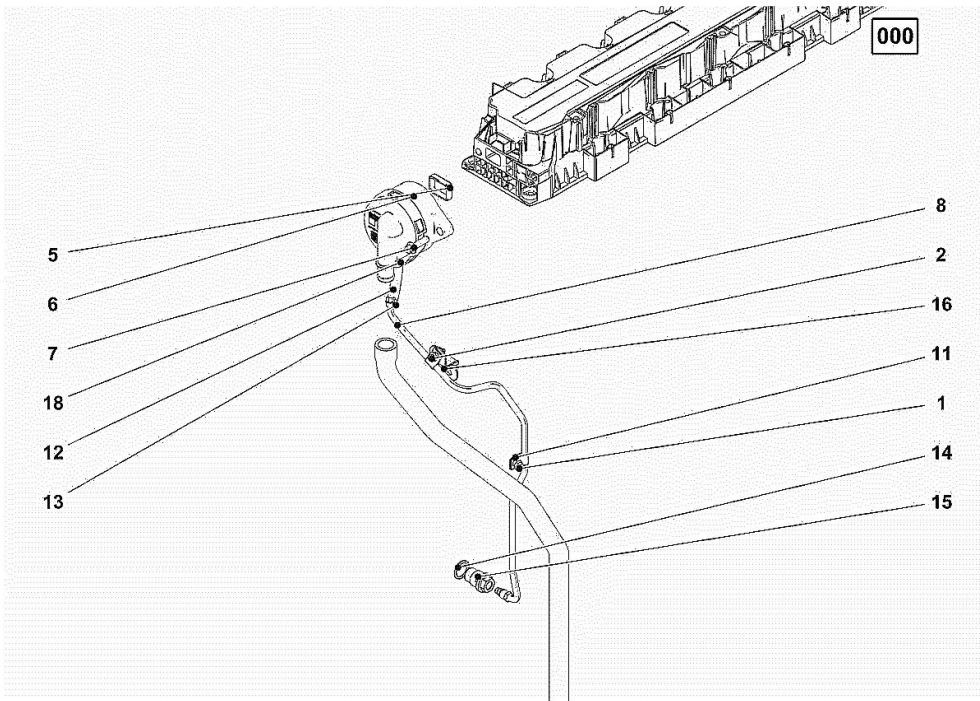
Section: B0 - ENGINE
CRANKCASE BREATHER

Fig.	P/n	QTY	Name
------	-----	-----	------

Notes:
 [FORTIS 140]

Engine serial number:

11425626 11428072 11428073 11428074 11443761 11443762 11443763 11479197 11479198 11484755 11484756
 11519365 11519366 11519367 11519368 11519369 11519370 11519371 11519372 11519373 11519374 11526476
 11526477 11526478 11526479 11526480 11526481 11527170 11527339 11527340 11527341 11527342 11527343
 11527344 11527345 11527346 11527347 22000413 22000430 22000592 22000593 22000594 22000595



1	01181442	1	screw m6x12 13 Nm
2	01181433	1	screw 13 Nm
5	04298547	1	rubber plug
6	04905110	1	breather EN 1662 -F-M8X20-LG2,5-10.9-ZNAL-A WITH POS.... (5)
7	01181432	2	screw m8x30 21 Nm
8	04504866	1	EN 1662 -F-M8X30-10.9-ZNAL-A tube WITH POS.... 11-13 20 Nm
11	02144961	2	fascia
12	04291246	1	rubber tube H 3407 -F8X14X72-EAM/ARAMID/EAM
13	01182878	1	fascia H 3461 -F-13,0/8
14	01118737	1	oil seal 22 x 27 DIN 7603 -A22X27-CU
15	04505853	1	pipe union 80 Nm
16	04504828	1	support
18	01182878	1	fascia H 3461 -F-13,0/8

Section: B0 - ENGINE
KURBELGEHAEUSE

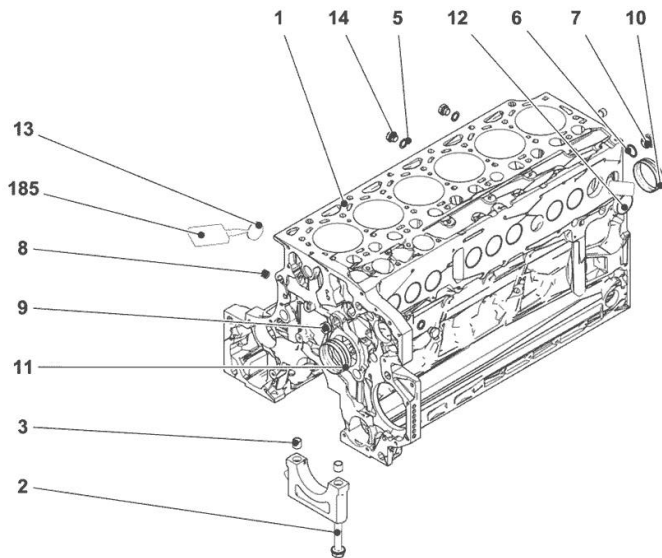
Fig.	P/n	QTY	Name
------	-----	-----	------

Notes:
 [FORTIS 140]

Engine serial number:

11425626 11428072 11428073 11428074 11443761 11443762 11443763 11479197 11479198 11484755 11484756
 11519365 11519366 11519367 11519368 11519369 11519370 11519371 11519372 11519373 11519374 11526476
 11526477 11526478 11526479 11526480 11526481 11527170 11527339 11527340 11527341 11527342 11527343
 11527344 11527345 11527346 11527347 22000413 22000430 22000592 22000593 22000594 22000595

000



1	04600334	1	crankcase MIT POS.... (2,3,5-14)
2	04254240	14	screw 50 Nm , 90° , 90°
3	04160764	14	bushing
5	01148836	2	oil seal DIN 7603 -D14X20-CU-VERZINNT
6	01148863	1	rubber plug DIN 7603 -D22X27-CU-VERZINNT
7	04292706	1	plug 80 Nm
8	01182031	2	screw 35 Nm H 2812 -906-M14X1,5-ST-A3C-LOCTITE506
9	04226536	1	bottom 30 Nm
10	04507244	6	bushing
11	04507765	1	bushing
12	01148032	9	cover DIN 443 -A45-ZNPHR
13	01148031	6	plug DIN 443 -A36-ZNPHR
14	01100940	2	screw 35 Nm DIN 7604 -AM14X1,5-ST-A4C
185	01319910	1	guard

ACCESSORIES

Fig.	P/n	QTY	Name
------	-----	-----	------

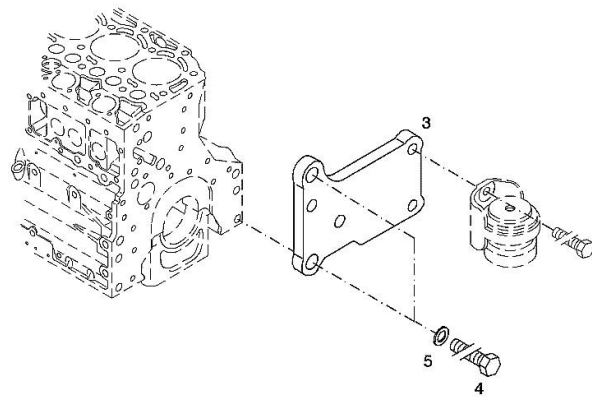
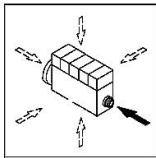
Notes:
[FORTIS 140]

Engine serial number:

11425626 11428072 11428073 11428074 11443761 11443762 11443763 11479197 11479198 11484755 11484756
11519365 11519366 11519367 11519368 11519369 11519370 11519371 11519372 11519373 11519374 11526476
11526477 11526478 11526479 11526480 11526481 11527170 11527339 11527340 11527341 11527342 11527343
11527344 11527345 11527346 11527347 22000592 22000593 22000594 22000595

3	04288659	1	support
4	01148261	2	screw ISO 4017 -M16X40-10.9-ZNAL-A
5	01181400	2	washer H 2308 -18X25X1,5-A4C

006 ©



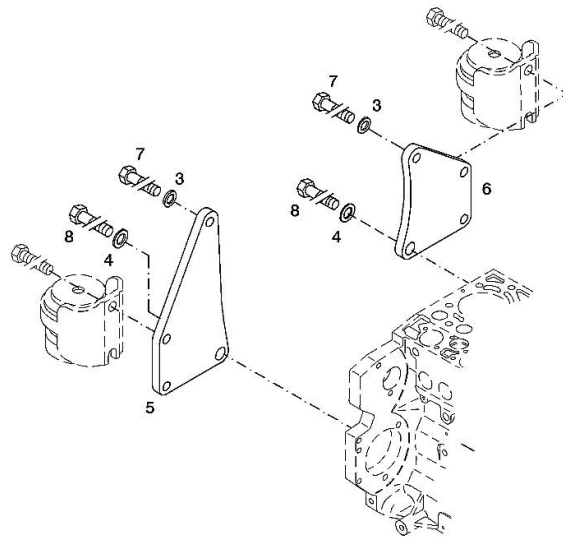
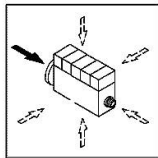
ACCESSORIES

Fig.	P/n	QTY	Name
------	-----	-----	------

Notes:
[FORTIS 140]

Engine serial number:

11425626 11428072 11428073 11428074 11443761 11443762 11443763 11479197 11479198 11484755 11484756
11519365 11519366 11519367 11519368 11519369 11519370 11519371 11519372 11519373 11519374 11526476
11526477 11526478 11526479 11526480 11526481 11527170 11527339 11527340 11527341 11527342 11527343
11527344 11527345 11527346 11527347 22000413 22000430 22000592 22000593 22000594 22000595



003 ©

3	01182016	2	disc H 2308 -13X24X3-ZNAL-A
4	01181400	2	washer H 2308 -18X25X1,5-A4C
5	04206926	1	plate dx/rh/re
6	04206927	1	plate sx/lh/li
7	01148137	2	screw - UP TO MONTH OF ASSEMBLY (A) - FROM MONTH OF ASSEMBLY SEE POS. (B) A = 06.2009 B = POS. 950 DIN 931 -M12X75-10.9-ZNAL-A
8	01148037	2	screw UP TO MONTH OF ASSEMBLY (A) - FROM MONTH OF ASSEMBLY SEE POS. (B) A = 06.2009 B = POS. 951 ISO 4014 -M16X75-10.9-OELGESCHW
950	01149017	2	screw - FROM MONTH OF ASSEMBLY SEE POS. (B) - UP TO MONTH OF ASSEMBLY (A) FROM MONTH OF ASSEMBLY A = 07.2009 B = 7 DIN 34800 -BM12X75-10.9-ZNAL-A
951	01180235	2	screw - FROM MONTH OF ASSEMBLY SEE POS. (B) - UP TO MONTH OF ASSEMBLY (A) FROM MONTH OF ASSEMBLY A = 07.2009 B= Pos.8 H 2032 -HBM16X75-10.9-GESCHW

ACCESSORIES

Fig.	P/n	QTY	Name
------	-----	-----	------

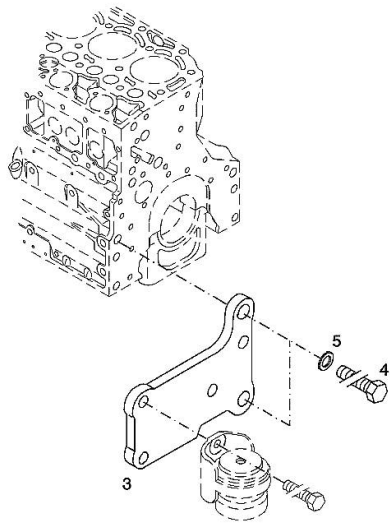
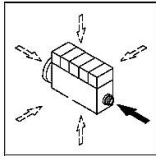
Notes:
[FORTIS 140]

Engine serial number:

11425626 11428072 11428073 11428074 11443761 11443762 11443763 11479197 11479198 11484755 11484756
11519365 11519366 11519367 11519368 11519369 11519370 11519371 11519372 11519373 11519374 11526476
11526477 11526478 11526479 11526480 11526481 11527170 11527339 11527340 11527341 11527342 11527343
11527344 11527345 11527346 11527347 22000592 22000593 22000594 22000595

3	04288660	1	support
4	01148261	2	screw ISO 4017 -M16X40-10.9-ZNAL-A
5	01181400	2	washer H 2308 -18X25X1,5-A4C

003 ©



OIL FILLER NECK

Fig.	P/n	QTY	Name
------	-----	-----	------

Notes:
[FORTIS 140]

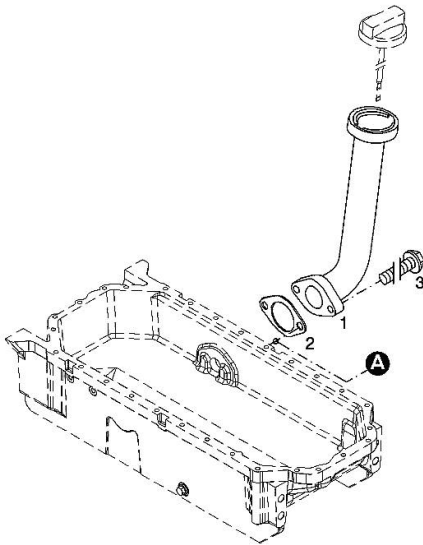
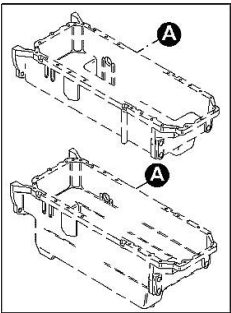
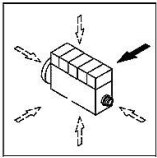
Engine serial number:

11425626 11428072 11428073 11428074 11443761 11443762 11443763 11479197 11479198 11484755 11484756
11519365 11519366 11519367 11519368 11519369 11519370 11519371 11519372 11519373 11519374 11526476
11526477 11526478 11526479 11526480 11526481 11527170 11527339 11527340 11527341 11527342 11527343
11527344 11527345 11527346 11527347 22000413 22000430 22000592 22000593 22000594 22000595

1	04207099	1	tube
2	01178421	1	gasket
3	01181433	2	screw

30 Nm

001 ©



PLUG

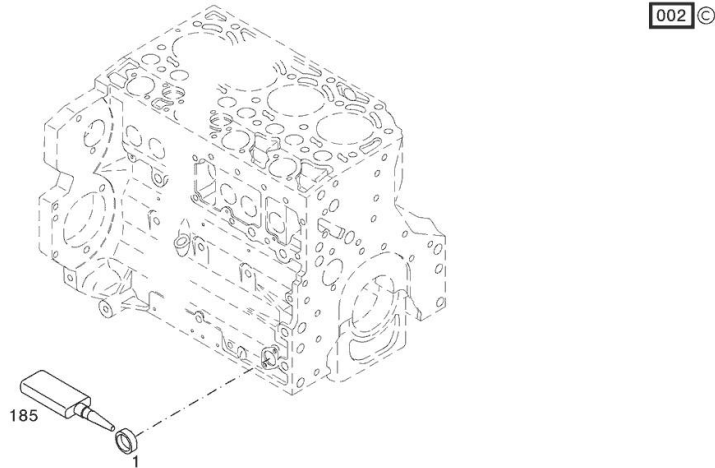
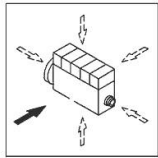
Fig.	P/n	QTY	Name
------	-----	-----	------

Notes:
[FORTIS 140]

Engine serial number:

11425626 11428072 11428073 11428074 11443761 11443762 11443763 11479197 11479198 11484755 11484756
11519365 11519366 11519367 11519368 11519369 11519370 11519371 11519372 11519373 11519374 11526476
11526477 11526478 11526479 11526480 11526481 11527170 11527339 11527340 11527341 11527342 11527343
11527344 11527345 11527346 11527347 22000413 22000430 22000592 22000593 22000594 22000595

1	01148031	1	plug DIN 443 -A36-ZNPHR
185	01319911	1	sealing compound ml. 50



FILLER CAP

Fig.	P/n	QTY	Name
------	-----	-----	------

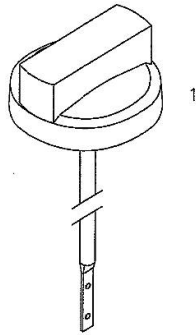
Notes:
[FORTIS 140]

Engine serial number:

11479197 11479198 11484755 11484756 11519365 11519366 11519367 11519368 11519369 11519370 11519371
11519372 11519373 11519374 11526476 11526477 11526478 11526479 11526480 11526481 11527170 11527339
11527340 11527341 11527342 11527343 11527344 11527345 11527346 11527347

1	01180286	1	plug H 2875 -B2-OL40-166X4-130X12
---	----------	---	--------------------------------------

000



FILLER CAP

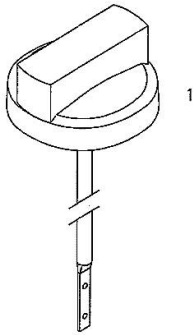
Fig.	P/n	QTY	Name
------	-----	-----	------

Notes:
[FORTIS 140]

Engine serial number:
11425626 11428072 11428073 11428074 11443761 11443762 11443763 22000413 22000430 22000592 22000593
22000594 22000595

1	01180341	1	plug H 2875 -B2-OL40-166X4X145X15
---	----------	---	--------------------------------------

000



Thank you so much for reading.
Please click the “Buy Now!”
button below to download the
complete manual.



After you pay.

You can download the most
perfect and complete manual in
the world immediately.

Our support email:

ebooklibonline@outlook.com