

**FASTENINGS**

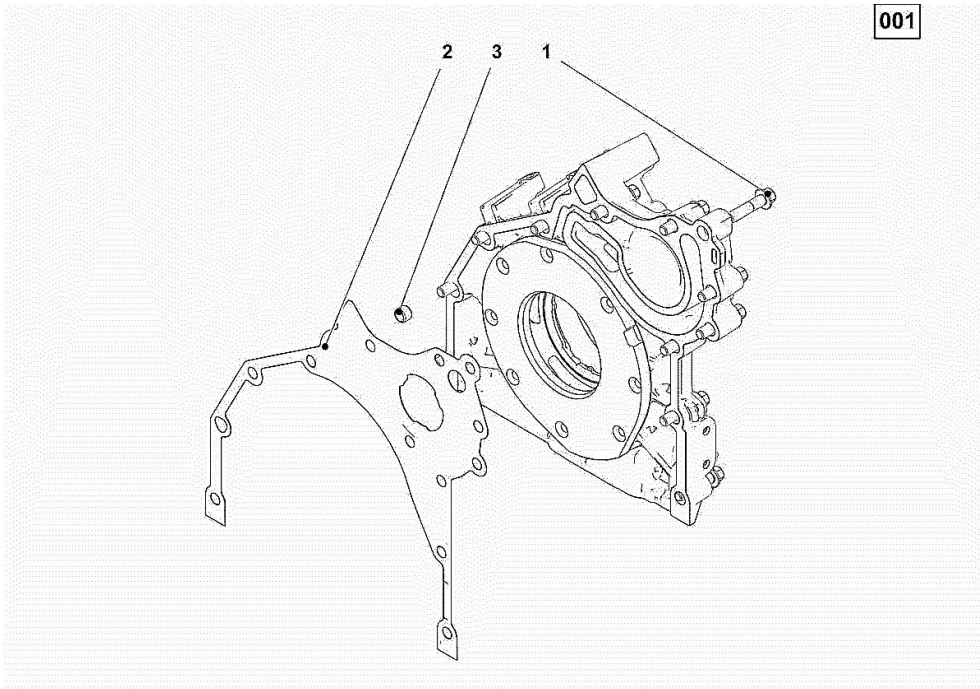
Fig.	P/n	QTY	Name
------	-----	-----	------

**Notes:**

[Fortis 150 -&gt;WSXU120200LS50010]

**Engine serial number:**

11236116 11252853 11252854 11252855 11252856 11252857 11252858 11278931 11278932 11286782 11286783  
 11286784 11302521 11302522 11302523 11302524 11302525 22000040 22000200



1	01143362	12	screw 5 Nm, 30 Nm. consult workshop manual EN 1662 -F-M8X35-10.9-A4C
2	04504325	1	gasket
3	01181406	1	bushing H 2341 -B11X8-FE/ZN12C*

**SERIE GUARNIZIONI**

Fig.	P/n	QTY	Name
------	-----	-----	------

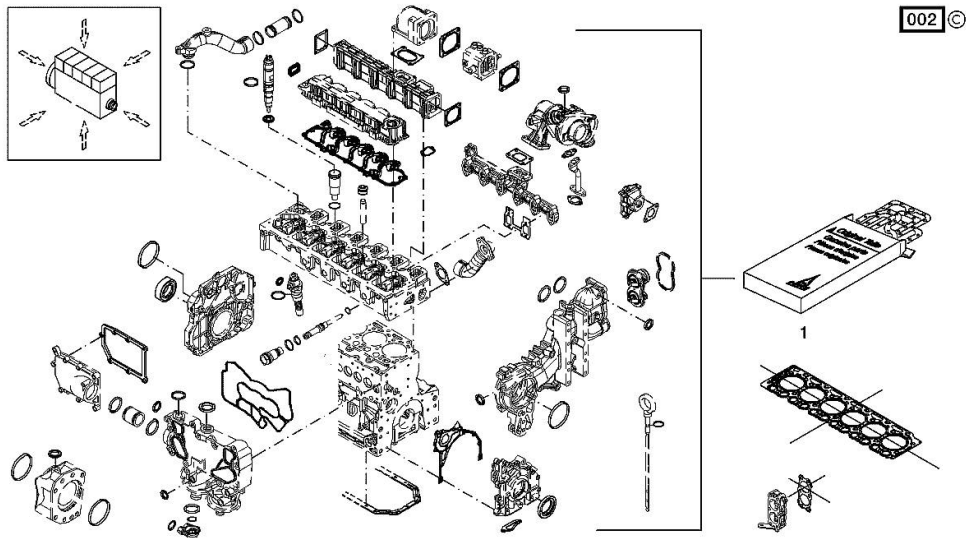
**Notes:**

[Fortis 150 ->WSXU120200LS50010]

**Engine serial number:**

11236116 11252853 11252854 11252855 11252856 11252857 11252858 11278931 11278932 11286782 11286783  
11286784 11302521 11302522 11302523 11302524 11302525 22000040 22000200

1	02937844	1	gasket set THE KIT DOES NOT CONTAIN ALL THE GASKETS: SEE SM 0199-99-9449
---	----------	---	--



**BLEEDING TUBE**

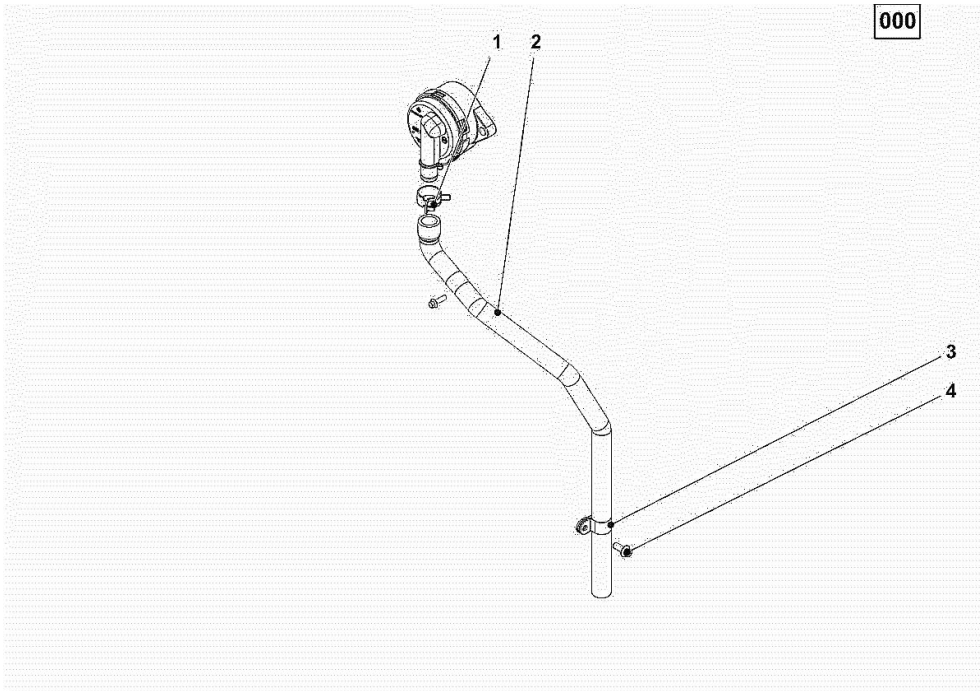
Fig.	P/n	QTY	Name
------	-----	-----	------

**Notes:**

[Fortis 150 ->WSXU120200LS50010]

**Engine serial number:**

11236116 11252853 11252854 11252855 11252856 11252857 11252858 11278931 11278932 11286782 11286783  
 11286784 11302521 11302522 11302523 11302524 11302525 22000040 22000200



1	01178750	1	clamp DIN 3021 -A-29X15
2	04504657	1	tube
3	01173523	2	fascia DIN 3016 -1-A1-25X20-W1-2
4	01181433	1	screw 20 Nm EN 1662 -F-M8X20-LG2,5-10.9-ZNAL-A

**CRANKCASE BREATHER**

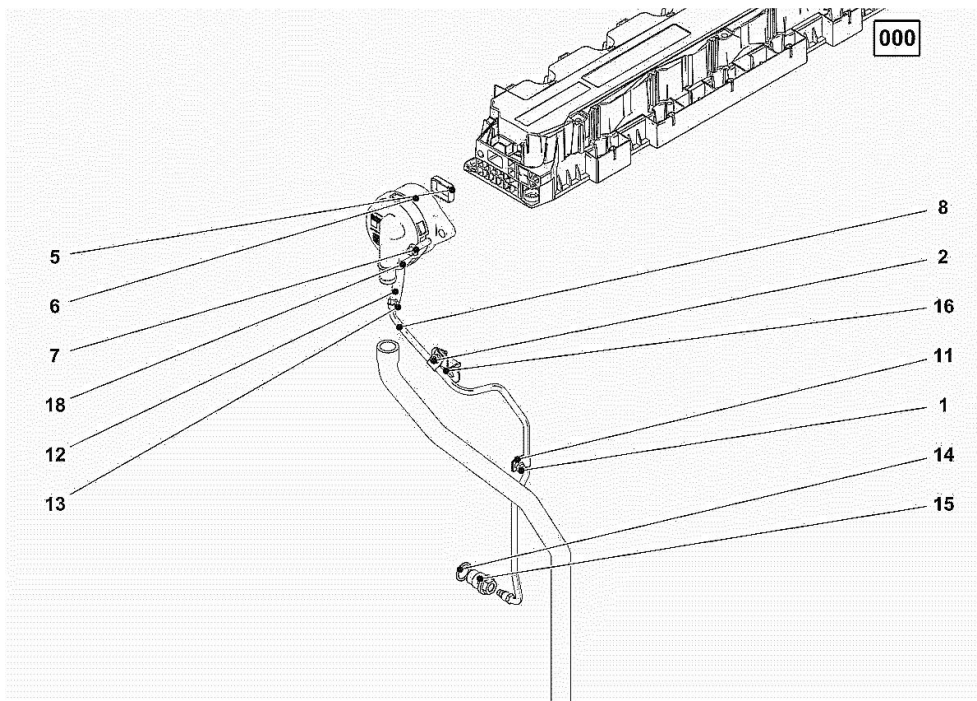
Fig.	P/n	QTY	Name
------	-----	-----	------

**Notes:**

[Fortis 150 -&gt;WSXU120200LS50010]

**Engine serial number:**

11236116 11252853 11252854 11252855 11252856 11252857 11252858 11278931 11278932 11286782 11286783  
 11286784 11302521 11302522 11302523 11302524 11302525



1	01181442	1	screw m6x12 13 Nm EN 1662 -F-M6X12-10.9-ZNAL-A
2	01181433	1	screw 13 Nm EN 1662 -F-M8X20-LG2,5-10.9-ZNAL-A
5	04298547	1	rubber plug
6	04905110	1	breather WITH POS.... (5)
7	01181432	2	screw m8x30 21 Nm EN 1662 -F-M8X30-10.9-ZNAL-A
8	04504866	1	tube WITH POS.... 11-13 20 Nm
11	02144961	2	fascia
12	04291246	1	rubber tube H 3407 -F8X14X72-EAM/ARAMID/EAM
13	01182878	1	fascia H 3461 -F-13,0/8
14	01118737	1	oil seal 22 x 27 DIN 7603 -A22X27-CU
15	04505853	1	pipe union 80 Nm
16	04504828	1	support
18	01182878	1	fascia H 3461 -F-13,0/8

**CRANKCASE BREATHER**

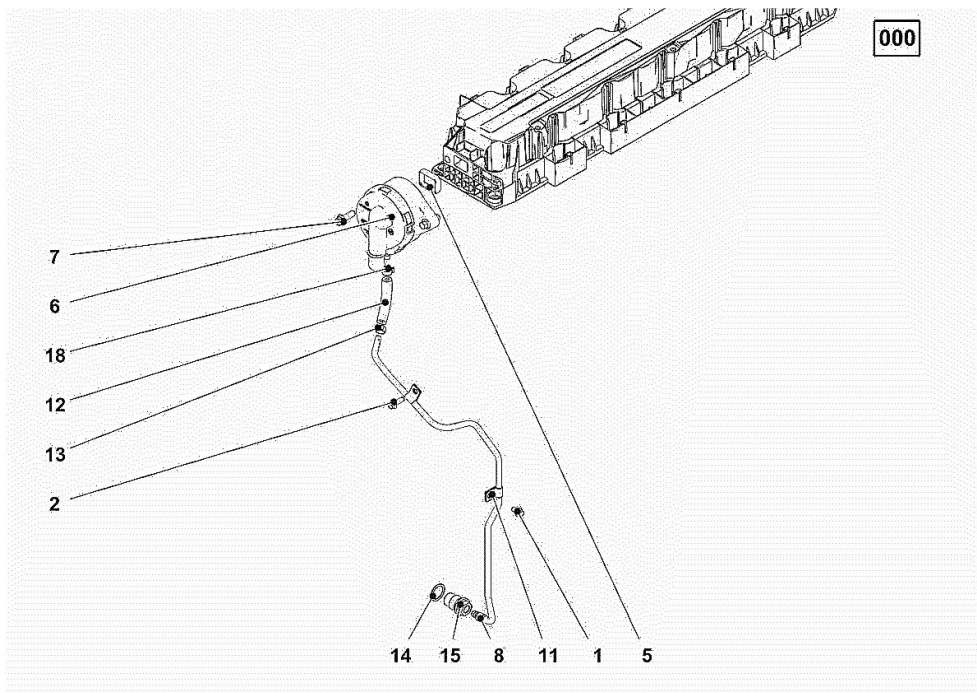
Fig.	P/n	QTY	Name
------	-----	-----	------

**Notes:**

[Fortis 150 -&gt;WSXU120200LS50010]

**Engine serial number:**

22000040 22000200



1	01181442	1	screw m6x12 13 Nm EN 1662 -F-M6X12-10.9-ZNAL-A
2	01181965	1	screw 13 Nm EN 1662 -F-M6X20-10.9-ZNAL-A
5	04298547	1	rubber plug
6	04905110	1	breather WITH POS.... (5)
7	01181432	2	screw m8x30 21 Nm EN 1662 -F-M8X30-10.9-ZNAL-A
8	04504866	1	tube WITH POS.... 11-13 20 Nm
11	02144961	2	fascia
12	04291246	1	rubber tube H 3407 -F8X14X72-EAM/ARAMID/EAM
13	01182878	1	fascia H 3461 -F-13,0/8
14	01118737	1	oil seal 22 x 27 DIN 7603 -A22X27-CU
15	04505853	1	pipe union 80 Nm
18	01182878	1	fascia H 3461 -F-13,0/8

**KURBELGEHAEUSE**

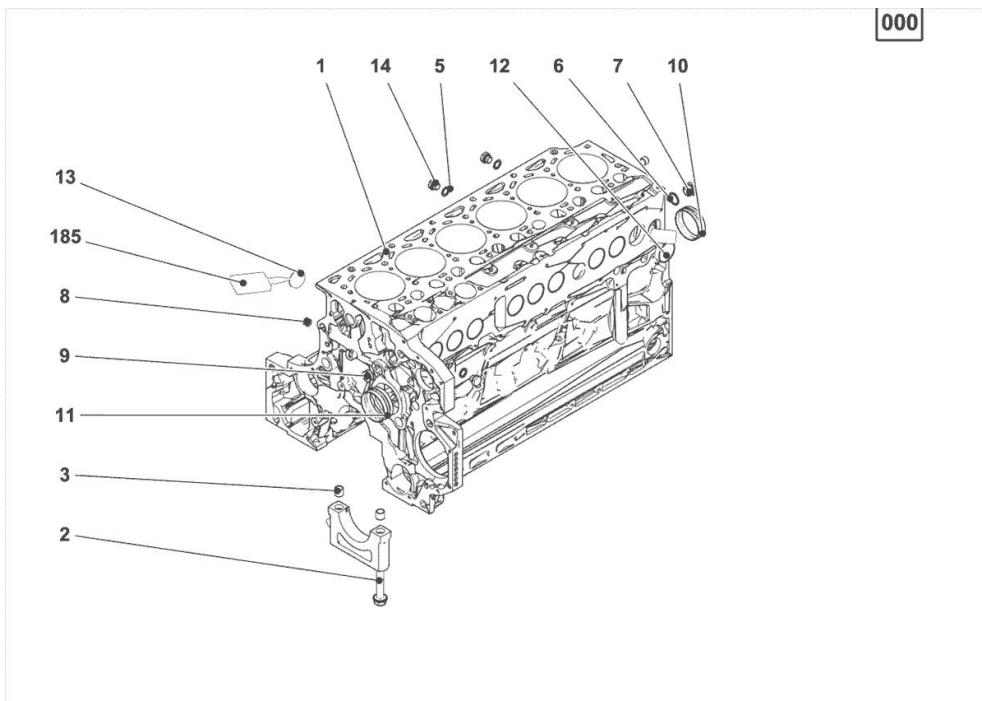
Fig.	P/n	QTY	Name
------	-----	-----	------

**Notes:**

[Fortis 150 -&gt;WSXU120200LS50010]

**Engine serial number:**

11236116 11252853 11252854 11252855 11252856 11252857 11252858 11278931 11278932 11286782 11286783  
 11286784 11302521 11302522 11302523 11302524 11302525



1	04600334	1	crankcase MIT POS.... (2,3,5-14)
2	04254240	14	screw 50 Nm , 90° , 90°
3	04160764	14	bushing
5	01148836	2	oil seal DIN 7603 -D14X20-CU-VERZINNT
6	01148863	1	rubber plug DIN 7603 -D22X27-CU-VERZINNT
7	04292706	1	plug 80 Nm
8	01182031	2	screw 35 Nm H 2812 -906-M14X1,5-ST-A3C-LOCTITE506
9	04226536	1	bottom 30 Nm
10	04507244	6	bushing
11	04507765	1	bushing
12	01148032	9	cover DIN 443 -A45-ZNPHR
13	01148031	6	plug DIN 443 -A36-ZNPHR
14	01100940	2	screw 35 Nm DIN 7604 -AM14X1,5-ST-A4C
185	01319910	1	guard

**ACCESSORIES**

Fig.	P/n	QTY	Name
------	-----	-----	------

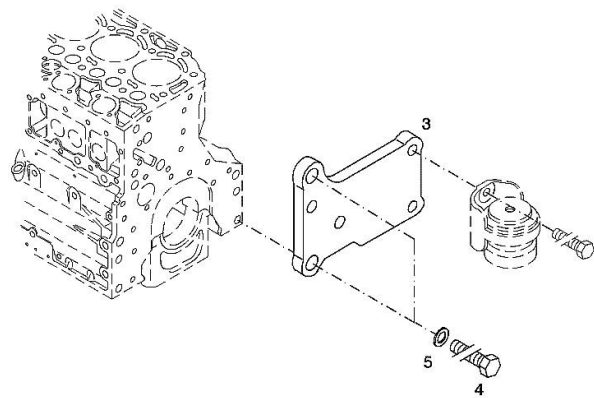
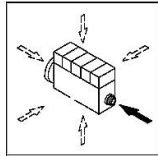
**Notes:**

[Fortis 150 ->WSXU120200LS50010]

**Engine serial number:**

11278931 11278932 11286782 11286783 11286784 11302521 11302522 11302523 11302524 11302525

3	04288659	1	support
4	01148261	2	screw ISO 4017 -M16X40-10.9-ZNAL-A
5	01181400	2	washer H 2308 -18X25X1,5-A4C



**OIL FILLER NECK**

Fig.	P/n	QTY	Name
------	-----	-----	------

**Notes:**

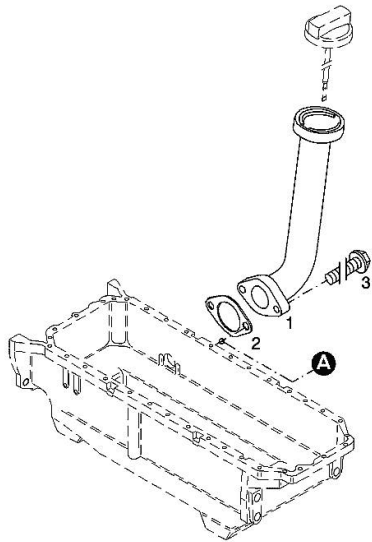
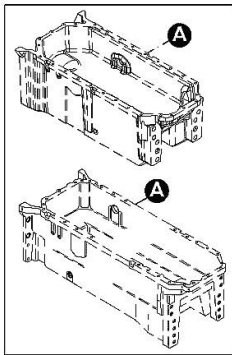
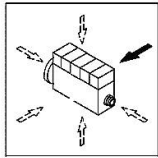
[Fortis 150 ->WSXU120200LS50010]

**Engine serial number:**

22000040

1	04207099	1	tube
2	01178421	1	gasket DIN 71511 -35X58X1,5-DEUTZFW31
3	01181433	2	screw 30 Nm EN 1662 -F-M8X20-LG2,5-10.9-ZNAL-A

001 ©





**ACCESSORIES**

Fig.	P/n	QTY	Name
------	-----	-----	------

**Notes:**

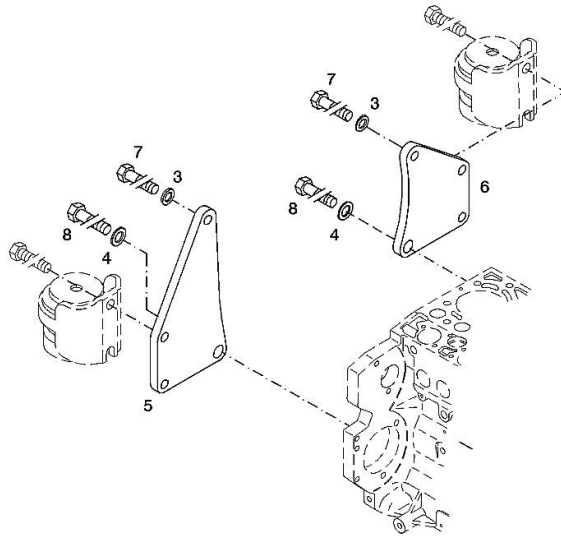
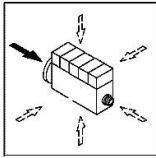
[Fortis 150 ->WSXU120200LS50010]

**Engine serial number:**

11236116 11252853 11252854 11252855 11252856 11252857 11252858 11278931 11278932 11286782 11286783  
 11286784 11302521 11302522 11302523 11302524 11302525 22000040 22000200

3	01182016	2	disc H 2308 -13X24X3-ZNAL-A
4	01181400	2	washer H 2308 -18X25X1,5-A4C
5	04206926	1	plate dx/rh/re
6	04206927	1	plate sx/lh/li
7	01148137	2	screw - UP TO MONTH OF ASSEMBLY ( A ) - FROM MONTH OF ASSEMBLY SEE POS. ( B ) A = 06.2009 B = POS. 950 DIN 931 -M12X75-10.9-ZNAL-A
8	01148037	2	screw UP TO MONTH OF ASSEMBLY ( A ) - FROM MONTH OF ASSEMBLY SEE POS. ( B ) A = 06.2009 B = POS. 951 ISO 4014 -M16X75-10.9-OELGESCHW
950	01149017	2	screw - FROM MONTH OF ASSEMBLY SEE POS. ( B ) - UP TO MONTH OF ASSEMBLY (A) FROM MONTH OF ASSEMBLY A = 07.2009 B = 7 DIN 34800 -BM12X75-10.9-ZNAL-A
951	01180235	2	screw - FROM MONTH OF ASSEMBLY SEE POS. ( B ) - UP TO MONTH OF ASSEMBLY ( A ) FROM MONTH OF ASSEMBLY A = 07.2009 B= Pos.8 H 2032 -HBM16X75-10.9-GESCHW

003 ©



**KURBELGEHAEUSE**

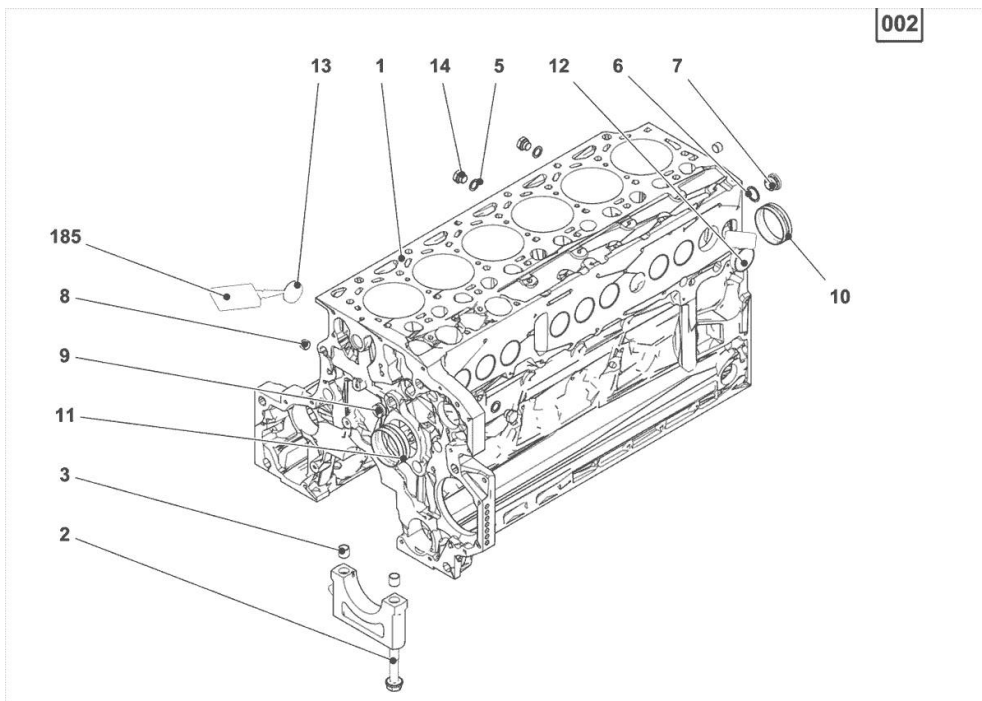
Fig.	P/n	QTY	Name
------	-----	-----	------

**Notes:**

[Fortis 150 -&gt;WSXU120200LS50010]

**Engine serial number:**

22000040 22000200



185	01319910	1	guard
1	04505233	1	crankcase MIT POS.... (2,3,5-14)
2	04254240	14	screw 50 Nm , 90° , 90°
3	04160764	14	bushing
5	01148836	2	oil seal DIN 7603 -D14X20-CU-VERZINNT
6	01148863	1	rubber plug DIN 7603 -D22X27-CU-VERZINNT
7	04292706	1	plug 80 Nm
8	01182031	2	screw 35 Nm H 2812 -906-M14X1,5-ST-A3C-LOCTITE506
9	04226536	1	bottom 30 Nm
10	04251884	6	plug
11	04507765	1	bushing
12	01148032	9	cover DIN 443 -A45-ZNPHR
13	01148031	6	plug DIN 443 -A36-ZNPHR
14	01100940	2	screw 35 Nm DIN 7604 -AM14X1,5-ST-A4C

**ACCESSORIES**

Fig.	P/n	QTY	Name
------	-----	-----	------

**Notes:**

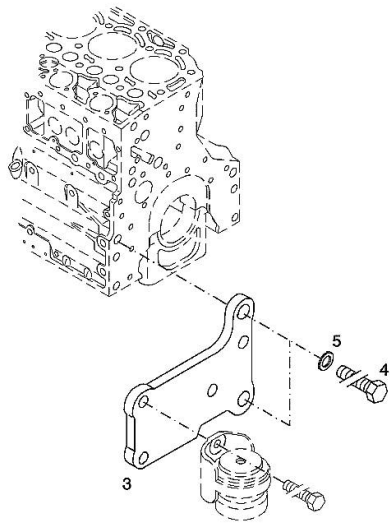
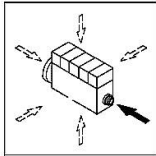
[Fortis 150 ->WSXU120200LS50010]

**Engine serial number:**

11278931 11278932 11286782 11286783 11286784 11302521 11302522 11302523 11302524 11302525

3	04288660	1	support
4	01148261	2	screw ISO 4017 -M16X40-10.9-ZNAL-A
5	01181400	2	washer H 2308 -18X25X1,5-A4C

003 ©



Thank you so much for reading.  
Please click the “Buy Now!”  
button below to download the  
complete manual.



After you pay.

You can download the most  
perfect and complete manual in  
the world immediately.

Our support email:

[ebooklibonline@outlook.com](mailto:ebooklibonline@outlook.com)