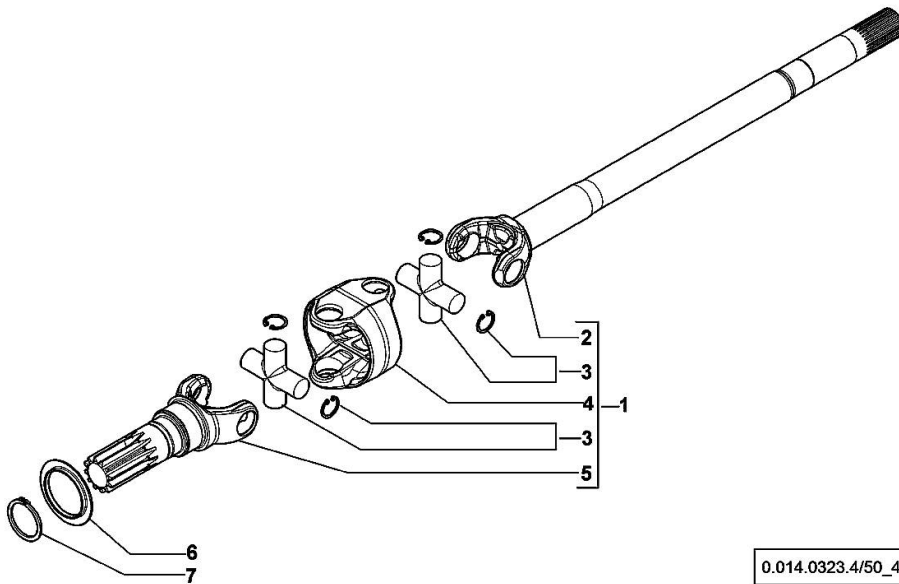


DOUBLE COUPLING

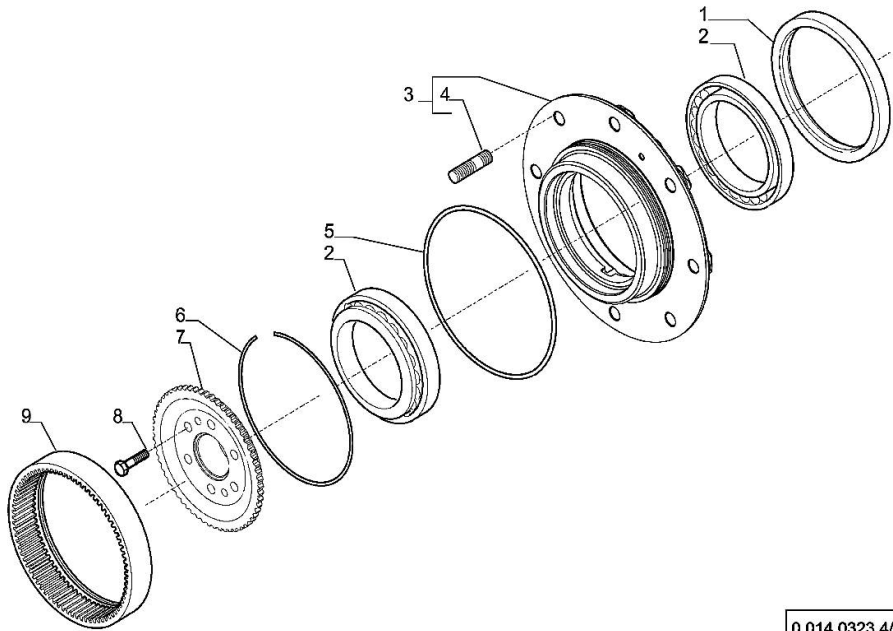
Fig.	P/n	QTY	Name
1	0.900.0912.7	1	shaft dx/rh/re
1	0.900.0912.8	1	shaft sx/lh/li
2	0.900.0965.4	1	half-shaft dx/rh/re
2	0.900.0965.5	1	half-shaft sx/lh/li
3	0.900.0572.7	4	universal joint
4	0.900.0110.5	2	box
5	0.900.0110.6	2	gear
6	0.900.0090.9	2	cover
7	0.900.0091.0	2	circlip



0.014.0323.4/50_4

WHEEL HUB

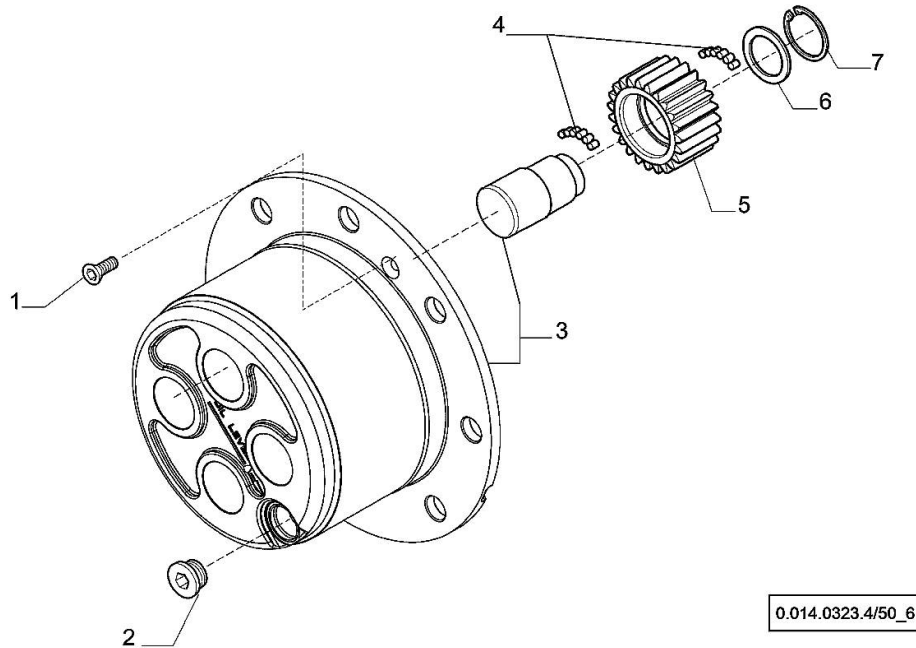
Fig.	P/n	QTY	Name
1	0.900.0091.1	2	oil seal 155x180x14,5
2	0.900.1360.6	4	bearing
3	0.900.0530.9	2	wheel hub
4	0.900.0091.4	8	stud bolt
5	0.900.0091.5	2	oil seal
6	0.900.0091.6	2	circlip
7	0.900.1360.7	2	hub
8	0.900.0091.8	12	screw m 12 x 45
9	0.900.1537.0	2	crown wheel z=60



0.014.0323.4/50_5

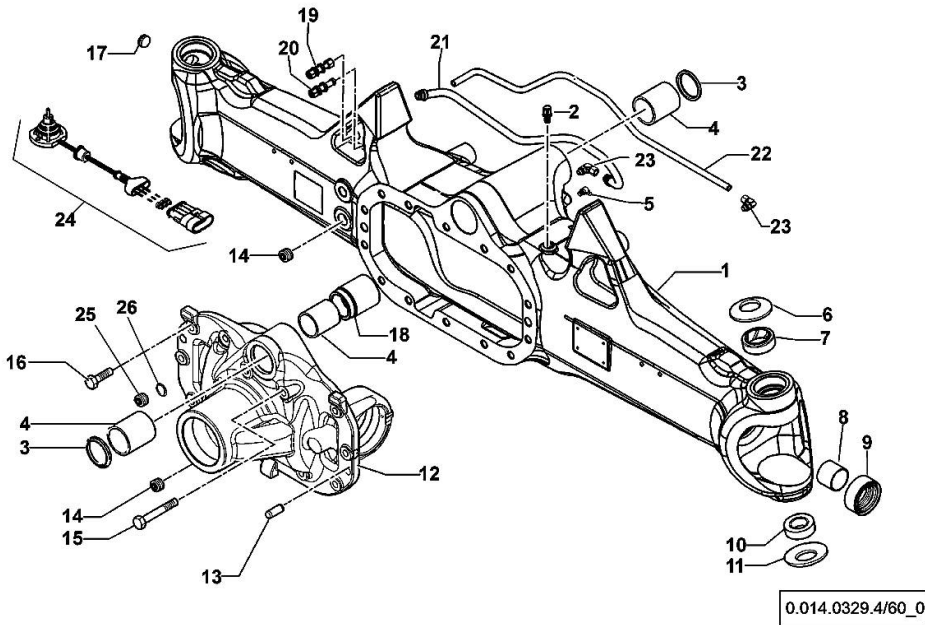
PLANETARY GEAR

Fig.	P/n	QTY	Name
1	0.900.0092.0	4	screw m 8 p.1.25 x 20
2	0.900.0092.1	2	plug m 30 p.2
3	0.900.0960.8	2	spider - KIT
4	0.900.0092.3	45	roller
5	0.900.0092.4	8	gear Z = 23
6	0.900.0092.5	8	slewing ring
7	0.900.0092.6	8	circlip



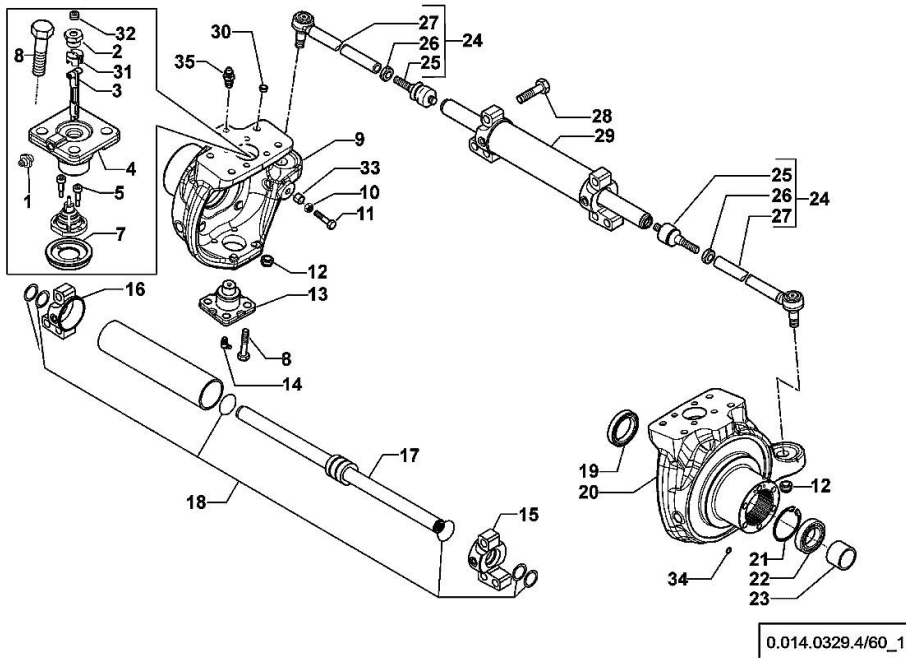
DRIVEN FRONT AXLE

Fig.	P/n	QTY	Name
1	0.900.0965.1	1	front axle
2	0.900.0079.8	1	breather m 10 p.1
3	0.900.0079.9	2	circlip
4	0.900.0080.0	3	bushing
5	0.900.0080.1	1	grease gun m 8 p.1, 45°
6	0.900.0080.2	2	spring
7	0.900.0080.3	2	bushing
8	0.900.0080.4	2	bushing
9	0.900.0912.6	2	oil seal 40x65x27,5
10	0.900.0080.6	2	bearing
11	0.900.0080.7	2	spring
12	0.900.0960.4	1	support
13	0.900.0081.0	2	pin Ø 15x45
14	0.900.0081.1	2	plug m 24 p.1.5
15	0.900.0081.2	2	screw m 14x75
16	0.900.0081.3	12	screw m14 x 40
17	0.900.0081.6	1	plug m 26 p.1.5
18	0.900.0082.2	1	bushing
19	0.900.0081.7	1	pipe fitting
20	0.900.0081.8	1	pipe fitting
21	0.900.0965.2	1	tube
22	0.900.0965.3	1	tube
23	0.900.0107.0	2	pipe fitting
24	0.900.0504.8	1	sensor - KIT
25	0.900.1641.1	1	plug
26	0.900.0541.6	1	washer



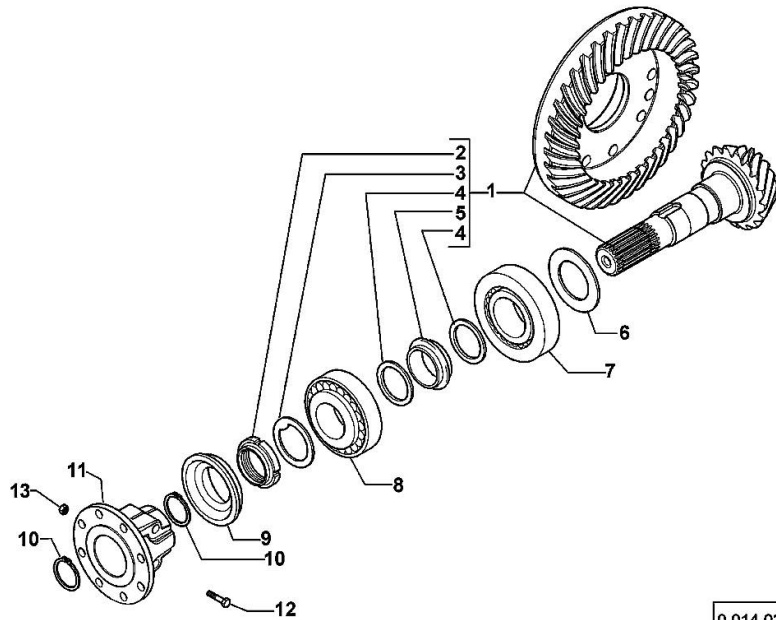
STEERING CYLINDER

Fig.	P/n	QTY	Name
1	0.900.0542.4	2	grease gun m 6 p.1
2	0.900.0082.4	2	screw m 20 p.1.5
3	0.900.0502.3	1	shaft
4	0.900.0502.5	2	pin
5	0.900.0082.7	2	screw m 4 x 10
7	0.900.0865.2	1	cover
8	0.900.0082.9	16	screw m 14 x 35
9	0.900.0111.8	1	fork sx/lh/li
10	0.900.0083.1	2	nut m 14
11	0.900.0948.6	2	screw m 14
12	0.900.0083.3	2	nut m 20 p.1
13	0.900.0083.4	2	pin
14	0.900.0083.5	2	grease gun m 6 p.1, 45°
15	0.900.0107.1	1	fork dx/rh/re
16	0.900.0107.2	1	fork sx/lh/li
17	0.900.0107.3	1	stem
18	0.900.0107.4	1	gasket set
19	0.900.0083.9	2	oil seal 56x80x13/14,5
20	0.900.0111.9	1	fork dx/rh/re
21	0.900.0112.0	2	circlip
22	0.900.0112.1	2	bearing
23	0.900.0112.2	2	spacer
24	0.900.0107.6	2	rod
25	0.900.0084.5	2	ball joint
26	0.900.0084.6	2	nut m 24x10
27	0.900.0107.7	2	rod
28	0.900.0105.9	6	screw m 20x80
29	0.900.0107.8	1	jack
30	0.900.0085.0	8	plug
31	0.900.0961.2	1	small block
32	0.900.0894.3	2	plug
33	0.900.0948.7	2	bush
34	0.900.0503.9	2	oil seal
35	0.900.0112.6	2	breather m10 p.1



BEVEL WHEEL GEAR

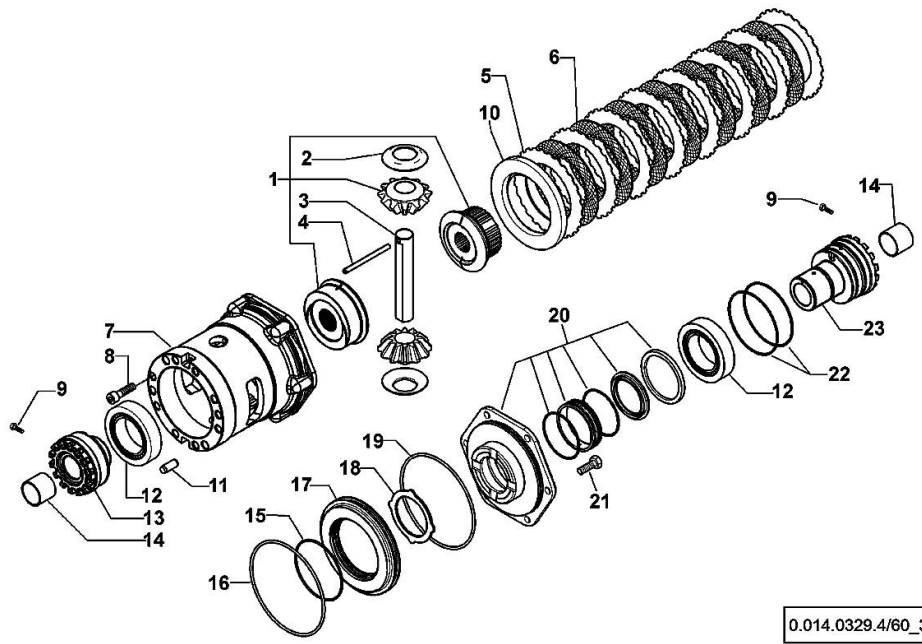
Fig.	P/n	QTY	Name
1	0.900.0108.0	1	bevel drive Z = 14/37
2	0.900.0085.5	1	ring nut m 40 p.1.5
3	0.900.0085.6	1	washer
4	0.900.0085.7	2	washer
5	0.900.0108.1	1	spacer
6	0.900.0108.2		shim 2.50
6	0.900.0108.3		shim 2.60
6	0.900.0108.4		shim 2.70
6	0.900.0108.5		shim 2.80
6	0.900.0108.6		shim 3.00
6	0.900.0108.7		shim 2.90
6	0.900.0108.8		shim 3.10
6	0.900.0108.9		shim 3.20
6	0.900.0109.0		shim 3.30
6	0.900.0109.1		shim 3.40
7	0.900.0109.2	1	bearing
8	0.900.0086.9	1	bearing
9	0.900.0087.0	1	oil seal 35x92/98x13/27
10	0.900.0087.1	2	circlip d = 35
11	0.900.0960.5	1	flange
12	0.900.0960.9	2	screw
13	0.900.0961.0	2	nut



0.014.0329.4/60_2

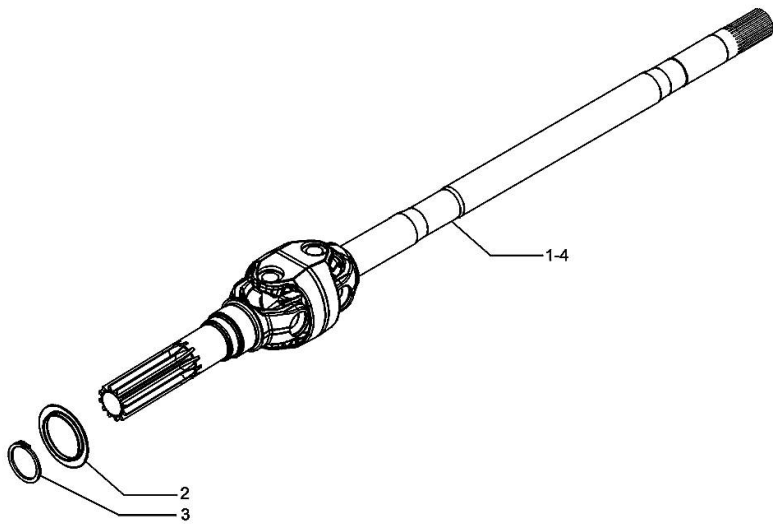
DIFFERENTIAL

Fig.	P/n	QTY	Name
1	0.900.0109.4	1	gear
2	0.900.0109.5	2	slewing ring
3	0.900.0109.6	1	pin
4	0.900.0109.7	1	pin Ø 6 x 86
5	0.900.0087.7	8	disc
6	0.900.0087.8	7	disc
7	0.900.0109.8	1	box
8	0.900.0088.0	10	screw m 12 x 35
9	0.900.0088.1	2	screw m 6 x 25
10	0.900.0090.0	1	disc
11	0.900.0088.3	2	pin Ø 12 x 28
12	0.900.0090.1	2	bearing
13	0.900.0109.9	1	ring nut m 94 p.1.5
14	0.900.0088.6	2	bushing
15	0.900.0088.7	1	oil seal
16	0.900.0088.8	1	oil seal
17	0.900.0088.9	1	piston
18	0.900.0089.0	1	disc
19	0.900.0089.1	1	oil seal
20	0.900.0952.0	1	cover - KIT
21	0.900.0089.3	6	screw m 10 x 35
22	0.900.0089.8	2	oil seal
23	0.900.0089.9	1	ring nut m 94 p.1.5



DOUBLE COUPLING

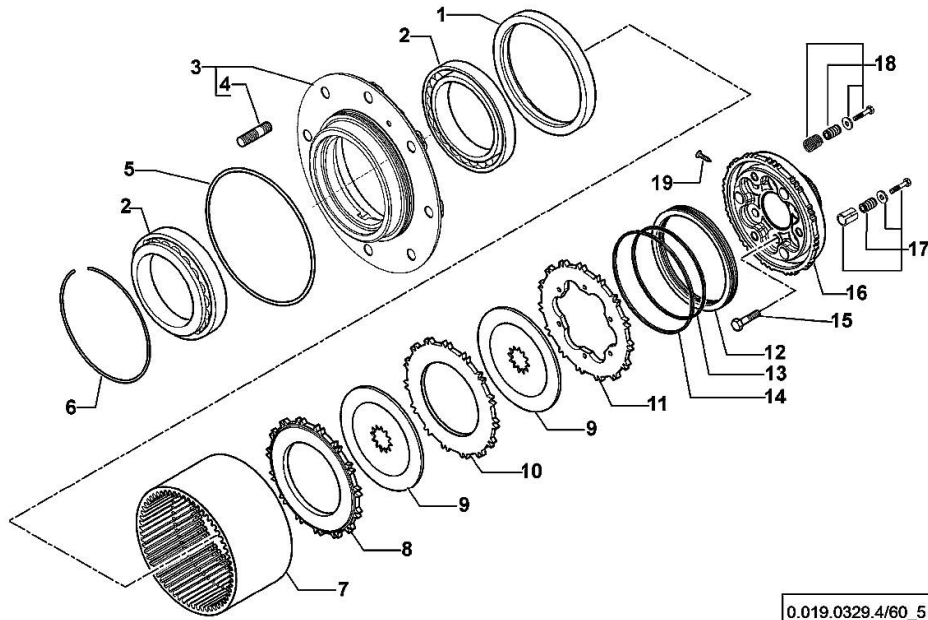
Fig.	P/n	QTY	Name
1	0.900.0961.4	1	joint dx/rh/re
2	0.900.0090.9	2	cover
3	0.900.0091.0	2	circlip
4	0.900.0961.5	1	joint sx/lh/li



0.014.0329.4/60_4

WHEEL HUB - WITH FRONT BRAKES

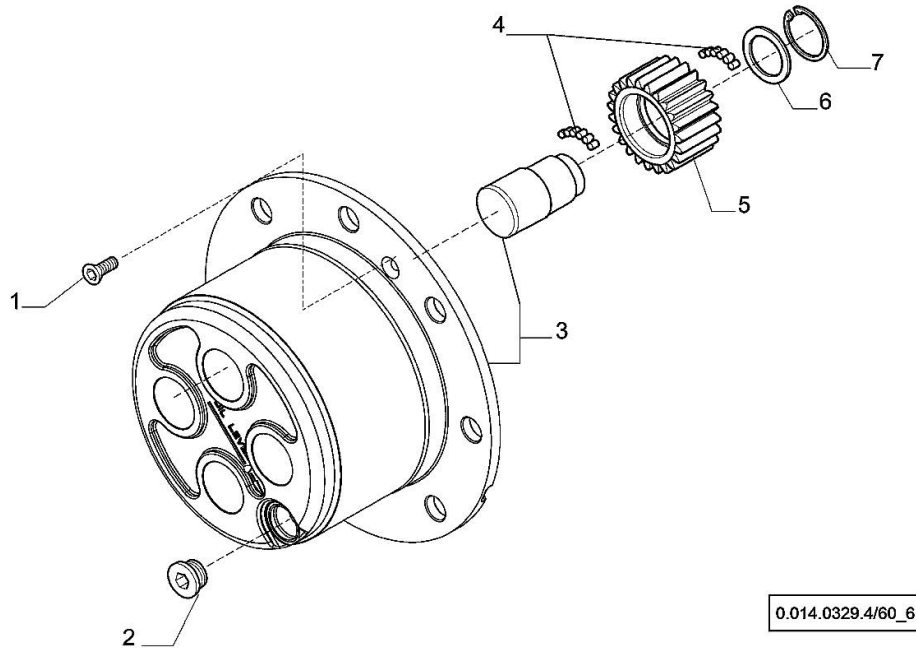
Fig.	P/n	QTY	Name
1	0.900.0115.6	2	circlip 165x195x16,5/18
2	0.900.0115.7	4	bearing
3	0.900.0531.0	2	wheel hub
4	0.900.0091.4	8	stud bolt
5	0.900.0091.5	2	oil seal
6	0.900.0091.6	2	circlip
7	0.900.0115.9	2	crown wheel Z = 60
8	0.900.0116.0	2	clutch plate
9	0.900.0116.1	4	brake disc
10	0.900.0116.2	2	brake disc
11	0.900.0116.3	2	brake disc
12	0.900.0116.4	2	piston
13	0.900.0116.5	2	circlip
14	0.900.0116.6	2	circlip
15	0.900.0091.8	12	screw m 12 x 45
16	0.900.0116.7	2	hub
17	0.900.0116.8	2	screw - KIT
18	0.900.0116.9	2	screw - KIT
19	0.900.0117.0	4	rivet



0.019.0329.4/60_5

PLANETARY GEAR

Fig.	P/n	QTY	Name
1	0.900.0092.0	4	screw m 8 p.1.25 x 20
2	0.900.0092.1	2	plug m 30 p.2
3	0.900.1360.8	2	spider
4	0.900.0117.2	45	roller
5	0.900.1212.1	8	gear Z = 23
6	0.900.0092.5	8	slewing ring
7	0.900.0092.6	8	circlip



FORTIS 150 Infinity -> WSXAS80200LS50010

Section: F0 - FRONT AXLE

Ref: F0.01.0 (1)

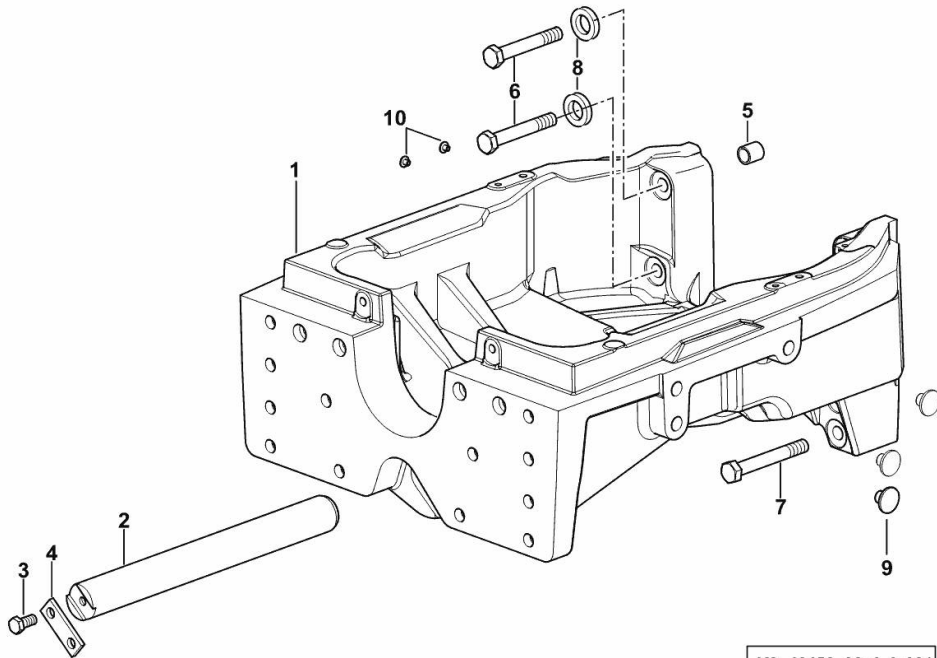
4WD - FRONT SUPPORT

Fig.	P/n	QTY	Name
------	-----	-----	------

Notes:

[FORTIS 150 Infinity -> WSXAS80200LS50010]

1	0.016.0970.0/40	1	front support
2	04411024	1	pin
3	2.0114.409.2	2	screw m 12 x 25
4	04419914	1	bracket
5	2.2680.047.0	2	ring 17x22x23
6	2.0113.630.2	4	screw m 16x105
7	2.0119.282.6	4	screw m 16 x 120
8	01174740	4	washer 16.5x31x7
9	01167322	10	bottom 18.4x15.5x25
10	0.017.8802.0	2	bottom



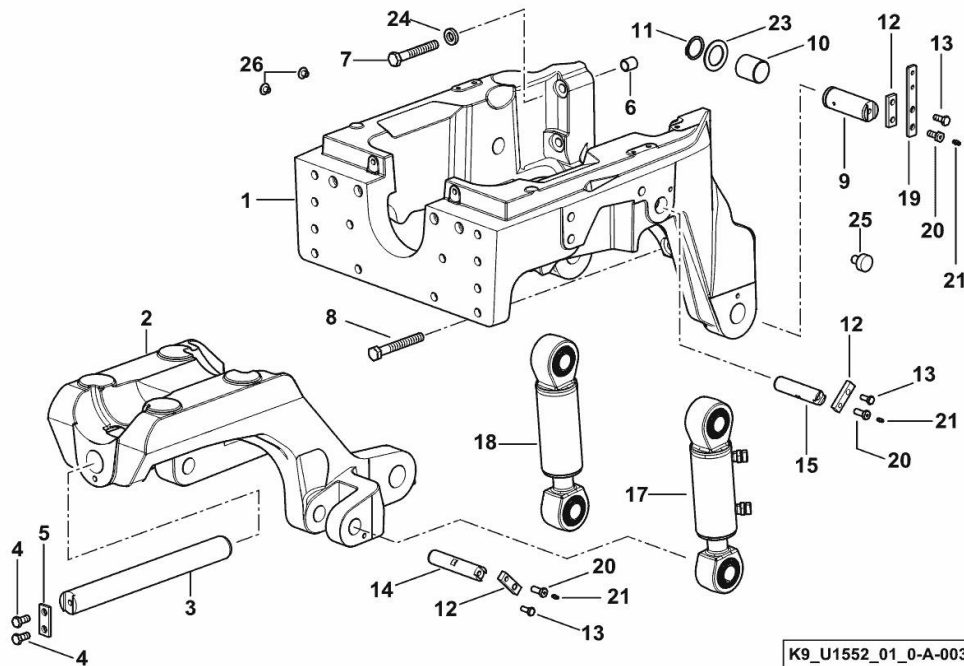
K9_J6452_00_0-A-001

FORTIS 150 Infinity -> WSXAS80200LS50010

Section: F0 - FRONT AXLE

Ref: F0.01.1 (3)

4WD - FRONT CARRIER WITH SUSPENSION



K9_U1552_01_0-A-003

Fig.	P/n	QTY	Name
------	-----	-----	------

Notes:

[FORTIS 150 Infinity -> WSXAS80200LS50010] -> 50010

1	0.016.0971.0/40	1	front support
2	04455624/30	1	support
3	04411024	1	pin
4	2.0114.409.2	2	screw m 12 x 25
5	04411025	1	flange
6	2.2680.047.0	2	ring 17x22x23
7	2.0113.630.2	4	screw m 16x105
8	2.0119.282.6	4	screw m 16 x 120
9	2.1679.130.0	2	pin
10	04424134/20	2	bushing
11	2.1410.016.7	2	circlip 40x1.75
12	0.020.8164.0	6	small plate
13	2.0114.309.2	6	screw m 10 p 1.25 x 25
14	0.021.0516.0	2	pin
15	0.021.8686.0	2	pin
17	2.3749.036.0/10	1	jack sx/lh/li - Weber
18	2.3749.035.0/10	1	jack dx/rh/re - Weber
19	0.021.5396.0	1	small plate
20	2.3249.736.7	6	screw m 12 x 30
21	2.3820.101.2	6	grease gun m 6 p.1 x 5
23	04438682	2	ring
24	01174740	4	washer 16.5x31x7
25	01167322	10	bottom 18.4x15.5x25
26	0.017.8802.0	2	bottom

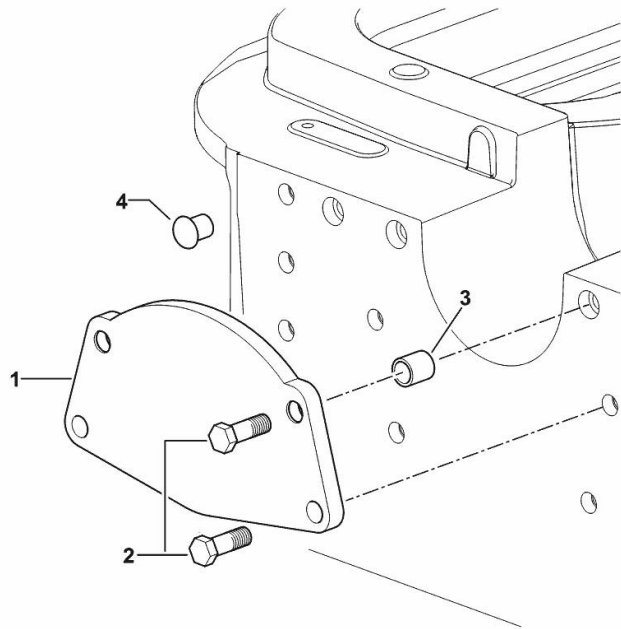
FRONT COVER WITHOUT FRONT HOOK

Fig.	P/n	QTY	Name
------	-----	-----	------

Notes:

[FORTIS 150 Infinity -> WSXAS80200LS50010]

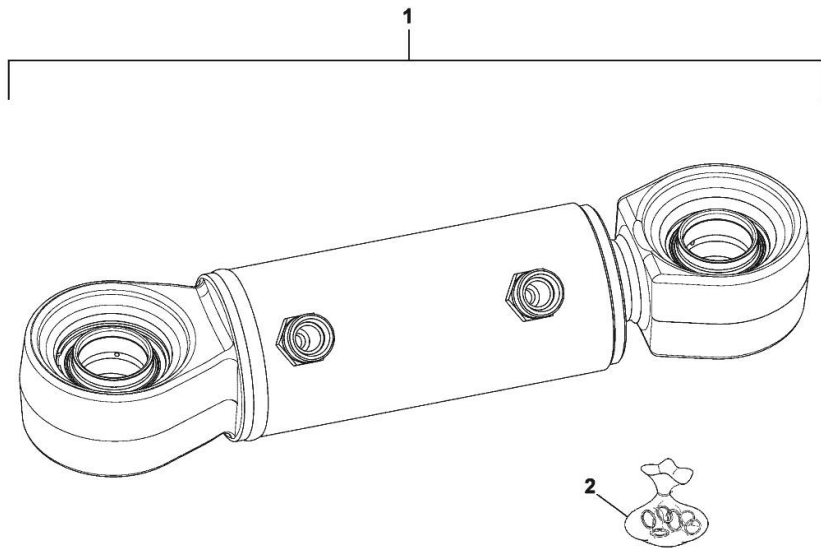
1	04422634/10	1	plate
2	2.0112.615.2	4	screw m 16 p.2 x 40
3	2.2680.047.0	2	ring 17x22x23
4	01167317	12	plug 14.5X11.5X21



K9_95052_31_0-A-001

HYDRAULIC CYLINDERS

Fig.	P/n	QTY	Name
1	2.3749.035.0/10	1	jack dx/rh/re - Weber
2	0.900.2274.6	1	gasket set



2.3749.035.0/10

FORTIS 150 Infinity -> WSXAS80200LS50010

Section: F0 - FRONT AXLE

Ref: F0.04.0 (2)

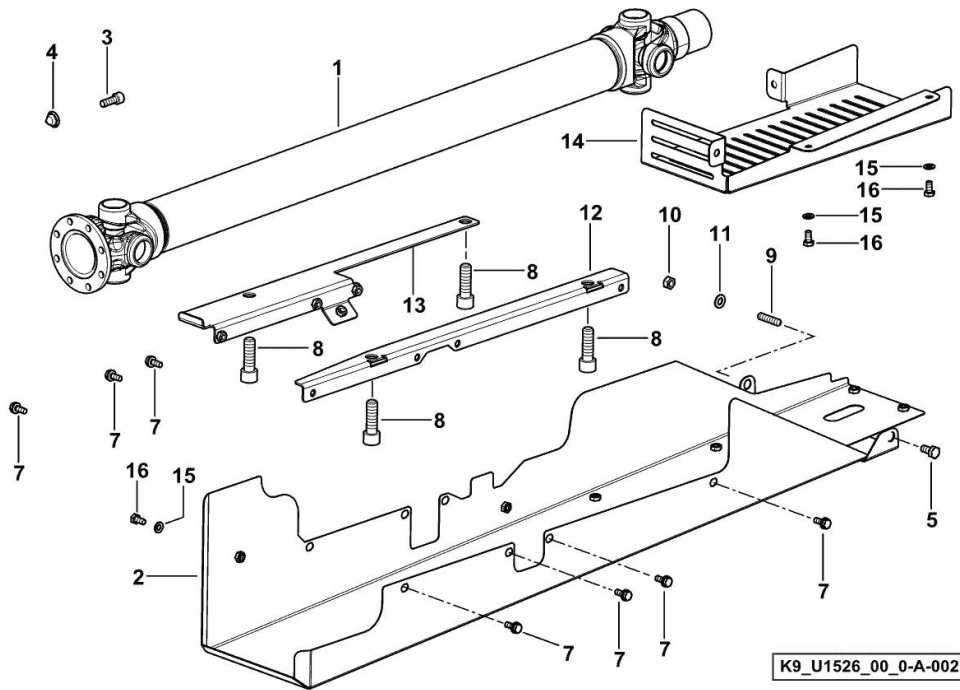
4WD - TRANSMISSION SHAFT

Fig.	P/n	QTY	Name
------	-----	-----	------

Notes:

- FOR TYPES WITH SUSPENDED DRIVING AXLE [FORTIS 150 Infinity -> WSXAS80200LS50010]

1	04419898.4	1	transmission shaft
2	0.016.4846.3/20	1	guard
3	2.0319.023.6/10	8	screw m 10 p.1x29
4	01136456	8	nut m 10
5	2.0114.307.2	1	screw m 10 x 20, d933
7	2.0119.305.2	7	screw m8x20
8	2.0314.616.2	4	screw m 16 p.2x50
9	2.0422.307.7	1	stud bolt m 10 x 30
10	2.1011.106.2	1	nut m 10 p.1.5
11	2.1310.006.2	1	flat washer 10.5x21
12	04455852	1	support
13	04455863	1	support
14	0.020.0086.0/10	1	guard
15	2.1310.004.2	4	flat washer 8.4x17
16	2.0114.205.2	4	screw m 8 p.1.25 x 16



Thank you so much for reading.
Please click the “Buy Now!”
button below to download the
complete manual.



After you pay.

You can download the most
perfect and complete manual in
the world immediately.

Our support email:

ebooklibonline@outlook.com