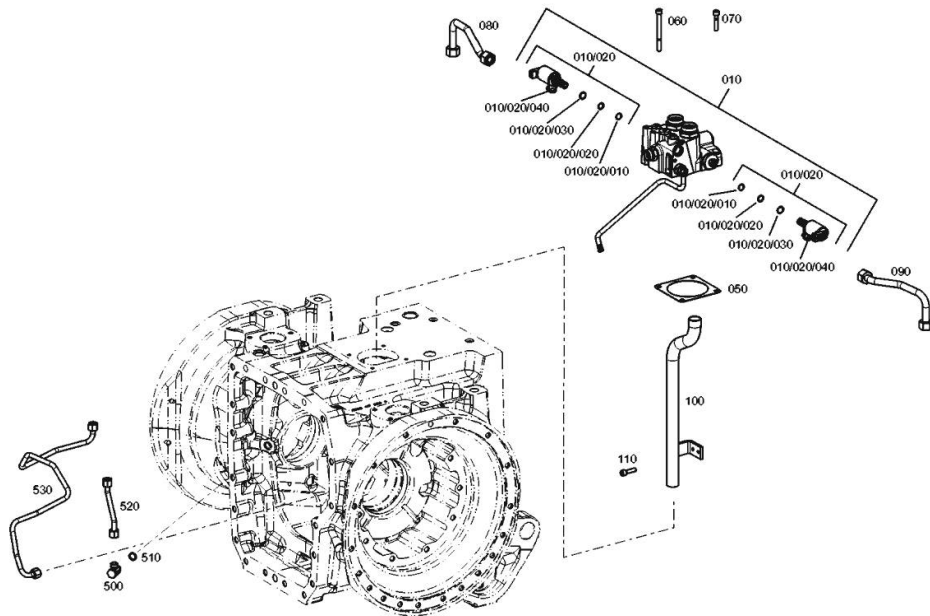


OIL SUPPLY - 2093 011 022

Fig.	P/n	QTY	Name
10	0.900.0984.8	1	valve
10.20	0.900.0952.8	2	solenoid valve DV
10.20.10	0.900.1377.6	1	gasket 13 x 1.5
10.20.20	0.900.1377.5	1	gasket 12,4 x 1,78
10.20.30	0.900.1377.7	1	gasket 14x1.78
10.20.40	0.900.1377.8	1	screw m 8 x 16
50	0.900.0885.3	1	gasket
60	0.900.0882.4	2	screw m 8x95
70	0.900.0882.1	2	screw m 8 x 40
80	0.900.0954.0	1	gasket
90	0.900.0954.1	1	pipng
100	0.900.0883.3	1	tube
110	04434509	2	screw m 8 x 30
500	04417707	1	pipe fitting
510	04423731	1	oil seal 14 x 18
520	0.010.2973.0	1	pipng
530	0.010.2899.2	1	tube



OIL SUPPLY - 2093 011 022

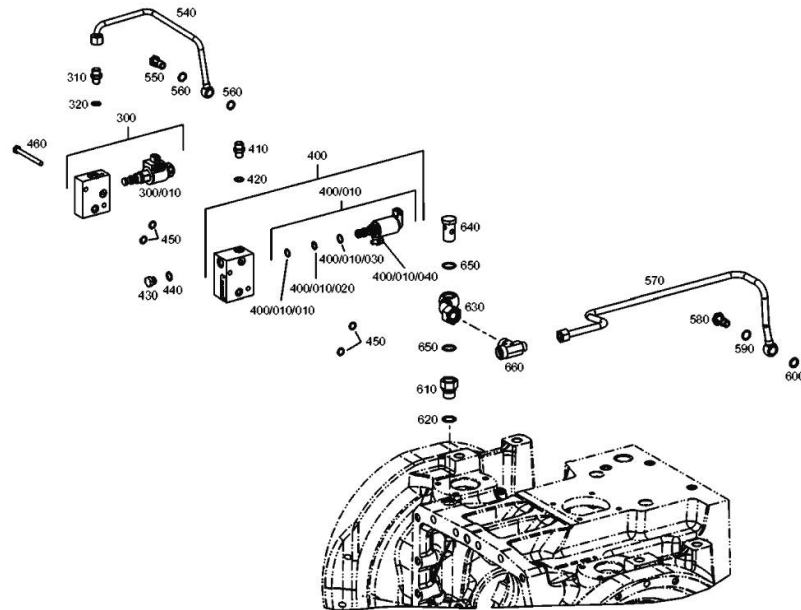
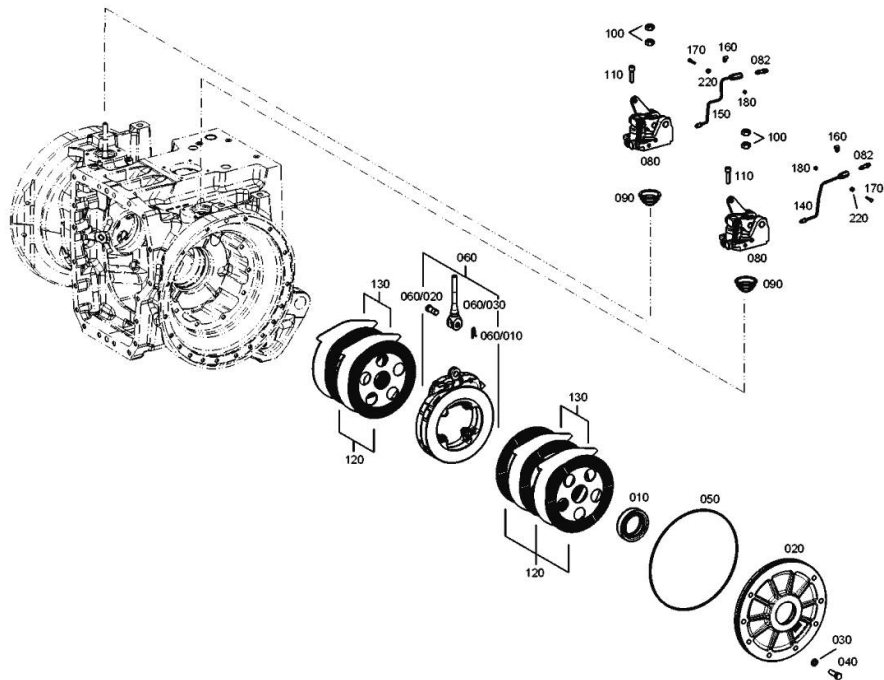


Fig.	P/n	QTY	Name
300	0.900.1363.3	1	small block
300.10	0.900.1384.6	1	solenoid valve
310	04417466	1	pipe fitting
320	04423731	1	oil seal 14 x 18
400	0.900.0952.1	1	control
400.10	0.900.0952.8	1	solenoid valve DV
400.10.10	0.900.1377.6	1	gasket 13 x 1.5
400.10.20	0.900.1377.5	1	gasket 12,4 x 1,78
400.10.30	0.900.1377.7	1	gasket 14x1.78
400.10.40	0.900.1377.8	1	screw m 8 x 16
410	04417466	1	pipe fitting
420	04423731	1	oil seal 14 x 18
430	0.900.0281.0	1	plug m 14 p.1.5
440	04423731	1	oil seal 14 x 18
450	0.900.0801.4	4	ring 11,3 x 2,4 NBR-70-10
460	0.900.1363.4	2	screw
540	0.900.1363.2	1	tube
550	0.900.0282.1	1	pipe union
560	04423731	2	oil seal 14 x 18
570	0.010.2894.2	1	pipng
580	04427560	1	pipe union
590	04436331	1	oil seal 16 x 20
600	0.010.2895.0	1	gasket 14x20
610	0.010.3826.2	1	pipe fitting
620	01118737	1	oil seal 22 x 27
630	0.010.3826.0	1	pipng
640	04415923	1	pipe union 18 DIN 7643
650	01118737	2	oil seal 22 x 27
660	04435710	1	vent

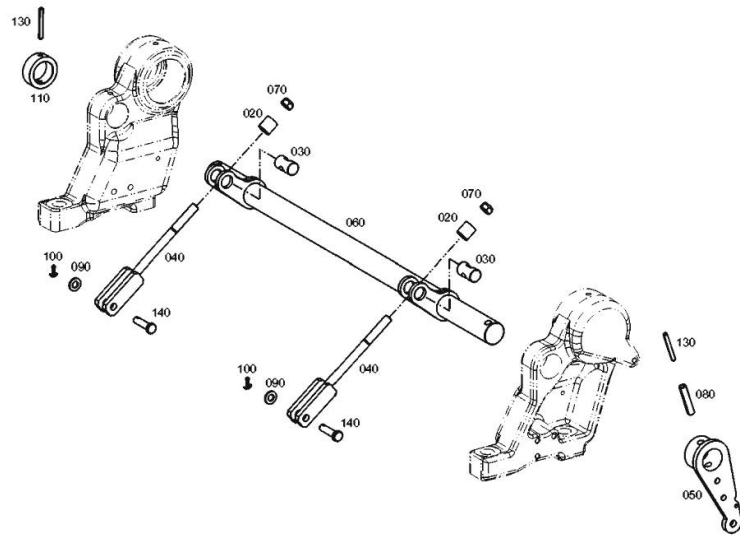
REAR BRAKES - 2093 011 022

Fig.	P/n	QTY	Name
10	04417316	2	oil seal
20	0.900.1239.5	2	cover
30	0.900.0277.9	4	washer
40	0.900.2018.4	16	screw
50	0.900.2124.6	2	lever
60	0.900.1583.9	2	transmission brake
60.10	04435741	1	split pin
60.20	04435740	1	pin
60.30	04428551	1	rod
80	0.900.2018.5	2	operation
82	0.900.2124.5	2	breather
90	0.900.0800.9	2	rubber bushing
100	0.900.2019.0	4	nut
110	0.900.0469.7	6	screw m 10 x 40
120	0.900.1584.6	10	disc
130	0.900.0801.3	8	disc
140	04428545	1	tube sx/lh/li
150	04428546	1	pipng dx/rh/re
160	0.900.0468.2	2	clamp 6x12
170	0.900.0280.1	2	screw m 5 x 25
180	0.900.0470.2	2	nut m 5
220	0.900.0281.6	2	nut



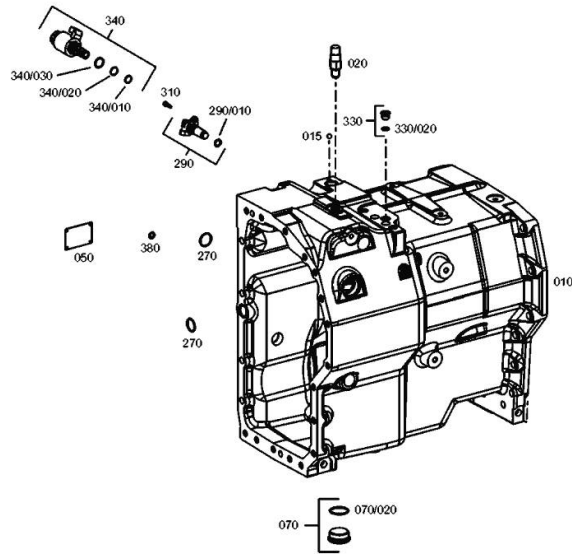
BRAKE CONTROLS - 2093 011 022

Fig.	P/n	QTY	Name
20	0.900.1239.8	2	tube
30	0.900.1239.9	2	pin
40	0.900.2018.6	2	rod
50	0.900.2018.7	1	lever
60	0.900.2018.8	1	shaft
70	0.900.0281.9	2	nut m 12
80	0.900.2018.9	1	pin
90	0.900.0466.9	2	washer
100	0.900.2082.0	2	pin
110	0.900.1240.3	1	spacer
130	0.010.2901.1	2	pin 6x50
140	0.900.2015.9	2	ring



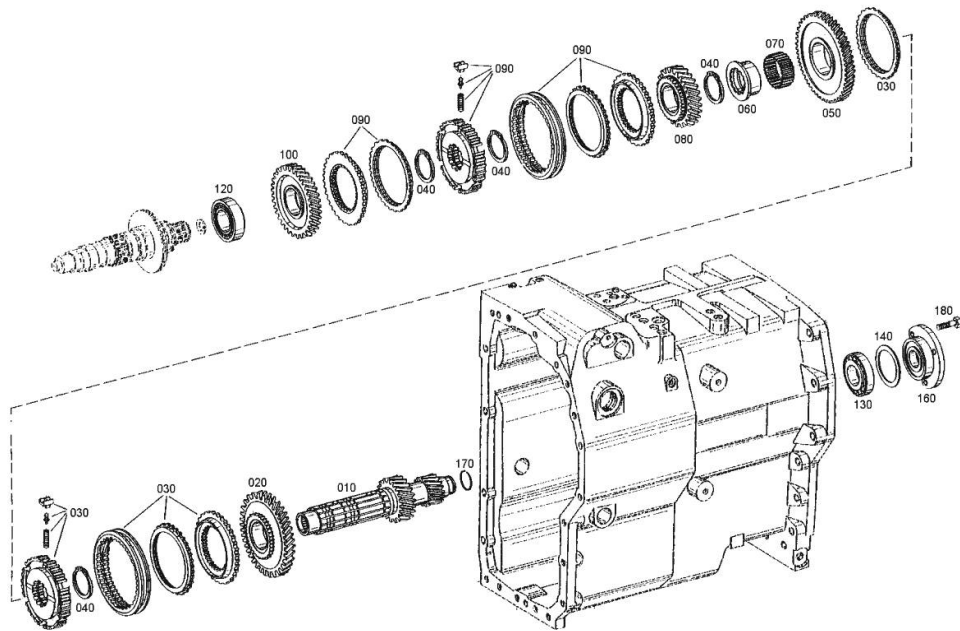
GEARBOX - 2093 011 006

Fig.	P/n	QTY	Name
10	0.900.2048.9	1	gear box
15	04417322	1	ball
20	04416066	1	switch
50	04415260	1	plate
70	04435197	1	plug
70.20	02315144	1	oil seal 38x2.5
270	0.010.3257.2	2	gasket 28x2.5
290	04438450	1	speed sensor L = 53,0mm
290.10	04417747	1	oil seal 15.54x2.62
310	04434551	1	screw m 8 p.1.25 x 20
330	04435199	1	screw
330.20	04419216	1	oil seal 13x2
340	0.900.2094.5	1	solenoid valve
380	01295714	1	ring 10X3



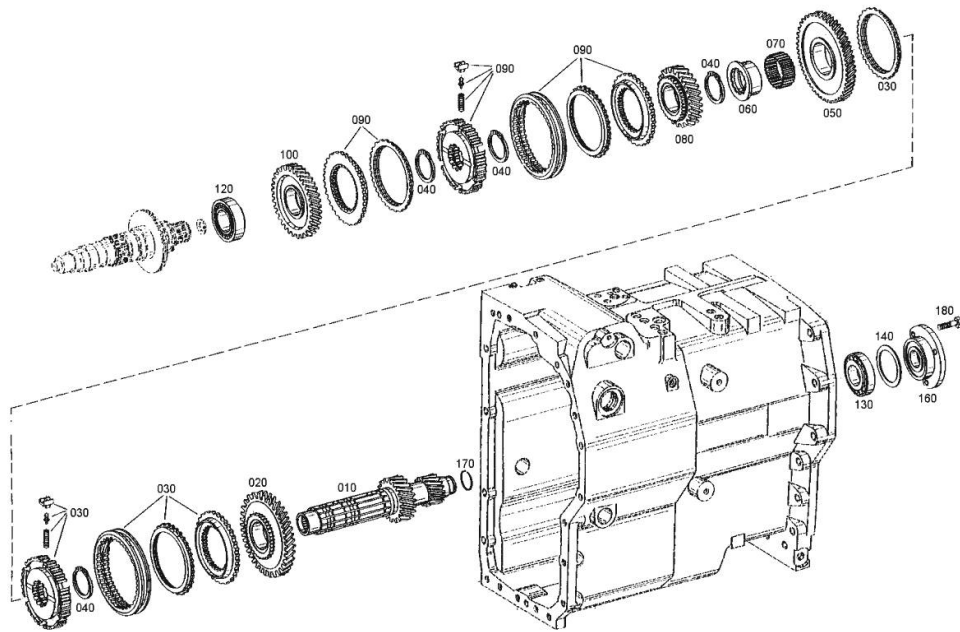
LAYSHAFT - 2093 011 006

Fig.	P/n	QTY	Name
10	04435202	1	shaft
20	0.900.1380.7	1	gear Z = 47
30	0.900.0881.6	1	lock synchronizer
40	04415687	4	circlip
50	0.900.1380.8	1	gear Z = 58
60	04417177	1	bush L = 32.3
60	04417178	1	bush L = 32.4
60	04417179	1	bush L = 32.5
60	04417180	1	bush L = 32.6
60	04417181	1	bush L = 32.7
60	04417182	1	bush L = 32.8
70	0.010.2849.1	1	roller cage
80	0.900.1380.6	1	gear
90	0.900.0881.7	1	lock synchronizer
100	0.900.0071.0	1	gear
120	0.010.3759.0	1	roller bearing
130	04416363	1	roller bearing
140	02965988	1	shim mm 2.40
140	04334537	1	shim mm 2.60
140	04334538	1	shim mm 2.55
140	04334539	1	shim mm 2.50
140	04334540	1	shim mm 2.45
140	04334541	1	shim mm 2.35
140	04334542	1	shim mm 2.30
140	04334543	1	shim mm 2.25
140	04334544	1	shim mm 2.20
140	04334545	1	shim mm 2.15
140	04334546	1	shim mm 2.10
140	04334547	1	shim mm 2.05
140	04334548	1	shim mm 2.00
140	04334549	1	shim mm 1.95
140	04334550	1	shim mm 1.90
140	04334551	1	shim mm 1.85
140	04334552	1	shim mm 1.80
140	04334553	1	shim mm 1.75
140	04433184	1	shim mm 1.65
140	04433997	1	washer mm 1.60
140	04436332	1	shim mm 1.725
140	04436333	1	shim mm 1.775
140	04436334	1	shim mm 1.875
140	04436335	1	shim mm 1.925
140	04436336	1	shim mm 1.975
140	06255623	1	shim mm 1.70
160	04415760	1	cover



LAYSHAFT - 2093 011 006

Fig.	P/n	QTY	Name
170	04415761	1	ring 35x2
180	0.010.2616.1	3	screw m 10x32



MAIN SHAFT - 2093 011 006

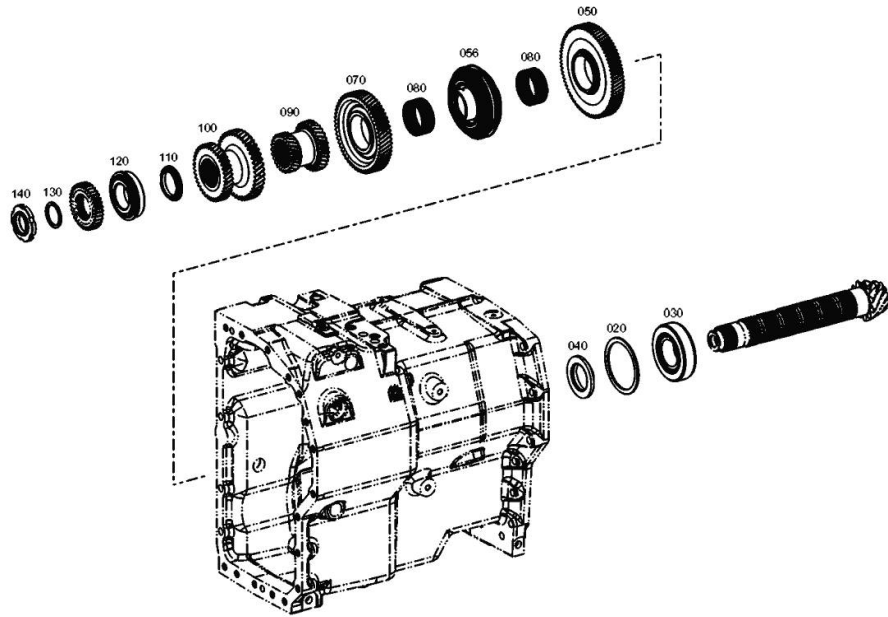


Fig.	P/n	QTY	Name
20	0.010.2849.2	1	shim s = 3.75
20	0.010.2850.0	1	shim s = 3.70
20	0.010.2850.1	1	shim s = 3.65
20	0.010.2850.2	1	shim s = 3.60
20	0.010.2851.0	1	shim s = 3.55
20	0.010.2851.1	1	shim s = 3.50
20	0.010.2851.2	1	shim s = 3.45
20	0.010.2852.0	1	shim s = 3.40
20	0.010.2852.2	1	shim s = 3.77
20	0.900.1459.7	1	shim s = 3.2
20	0.900.1459.8	1	shim s = 3.25
20	0.900.1459.9	1	shim s = 3.3
20	0.900.1460.0	1	shim s = 3.35
20	0.900.1460.1	1	shim s = 3.56
20	0.900.1460.2	1	shim s = 3.57
20	0.900.1460.6	1	shim s = 3.62
20	0.900.1461.0	1	shim s = 3.67
20	0.900.1461.4	1	shim s = 3.72
20	04417170	1	shim s = 3.95
20	04417171	1	shim s = 3.9
20	04417172	1	shim s = 3.85
20	04417173	1	shim s = 3.8
20	04417174	1	shim s = 4.0
20	04417175	1	shim s = 4.05
20	04417176	1	shim s = 4.10
30	0.900.0882.5	1	roller bearing
40	0.900.1459.6	1	slewing ring Z = 46
50	0.900.1381.1	1	gear Z = 75
56	0.010.3840.2	1	lock synchronizer
70	0.900.1380.9	1	gear z = 57
80	04427570	2	roller cage
90	0.900.1381.2	1	gear Z = 31
100	0.900.1381.0	1	gear z=39/41
110	0.010.2858.0	1	shim s = 10.25
110	0.010.2858.1	1	shim s = 10.45
110	0.010.2858.2	1	shim s = 10.50
110	0.010.2859.0	1	shim s = 10.55
110	0.010.2859.1	1	shim s = 10.60
110	04417159	1	shim s = 10.4
110	04417160	1	shim s = 10.3
110	04417161	1	shim s = 10.2
110	04417162	1	shim s = 10.1
110	04417163	1	shim s = 10.0
110	04417164	1	shim s = 9.9

MAIN SHAFT - 2093 011 006

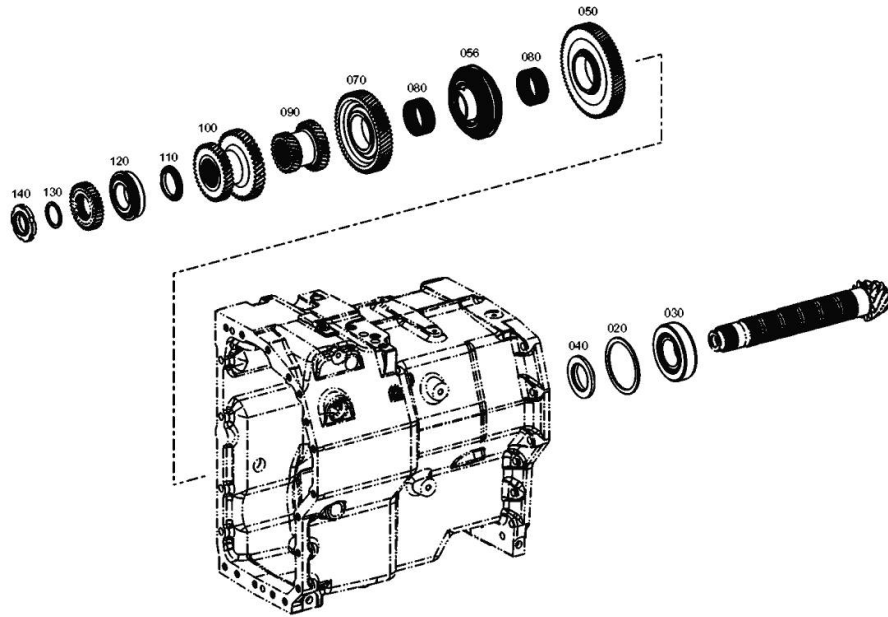


Fig.	P/n	QTY	Name
110	04417165	1	shim s = 9.8
110	04417166	1	shim s = 9.7
110	04417167	1	shim s = 9.6
110	04424444	1	shim s = 9.85
110	04424445	1	shim s = 9.95
110	04424446	1	shim s = 10.05
110	04424447	1	shim s = 10.15
110	04435222	1	shim s = 10.35
120	04416082	1	roller bearing
130	0.010.2859.2	1	shim s = 3.75
130	0.010.2860.0	1	shim s = 3.80
130	0.010.2860.1	1	shim s = 3.85
130	0.010.2860.2	1	shim s = 3.90
130	0.010.2861.0	1	shim s = 3.95
130	0.010.2861.1	1	shim s = 4.00
130	0.900.1462.0	1	shim s = 2.70
130	0.900.1462.1	1	shim s = 2.8
130	04417146	1	shim s = 3.4
130	04417147	1	shim s = 3.35
130	04417148	1	shim s = 3.3
130	04417149	1	shim s = 3.25
130	04417150	1	shim s = 3.2
130	04417151	1	shim s = 3.15
130	04417152	1	shim s = 3.1
130	04417153	1	shim s = 3.45
130	04417154	1	shim s = 3.50
130	04417155	1	shim s = 3.55
130	04417156	1	shim s = 3.60
130	04417157	1	shim s = 3.65
130	04417158	1	shim s = 3.70
130	04424442	1	shim s = 2.90
130	04424443	1	shim s = 3.00
140	04415763	1	ring nut

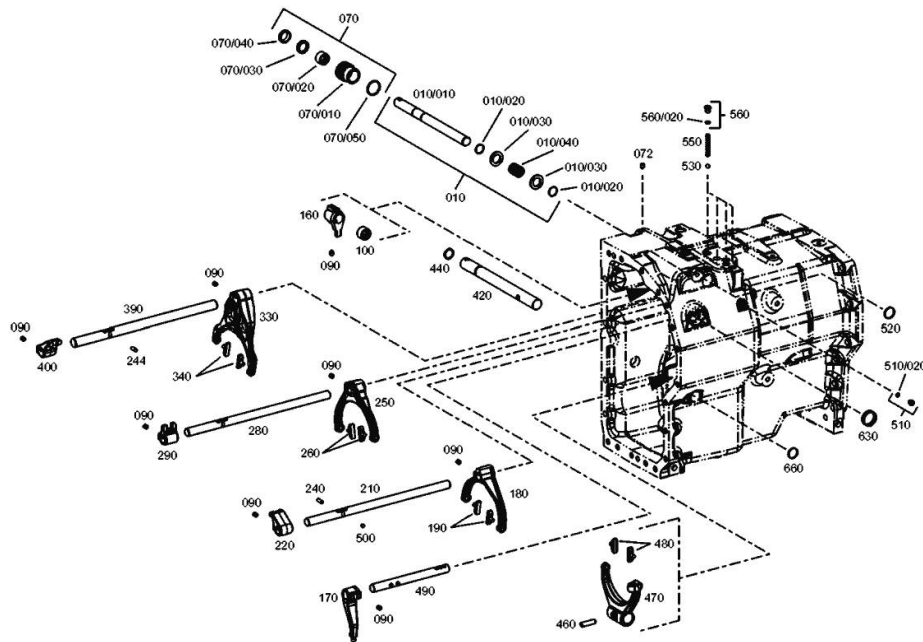
MAIN SHAFT - 2093 011 006

Fig.	P/n	QTY	Name
10	0.900.2049.0	1	main shaft Z = 11



DRIVE FOR GEAR CHANGE BOX - 2093 011 006

Fig.	P/n	QTY	Name
10	0.010.2861.2	1	rod
10.10	04423794	1	rod
10.20	04415766	2	circlip
10.30	04427574	2	washer
10.40	04416140	1	spring
70	0.010.2862.0	1	bushing
70.10	04415769	1	bush
70.20	04415772	1	bearing
70.30	04415773	1	oil seal 25x35x7
70.40	04415774	1	oil seal AS 25x35x7x10
70.50	04416048	1	oil seal 37x3
72	01272647	1	stud bolt L = 13.7
90	01272647	16	stud bolt L = 13.7
100	04415772	1	bearing
160	0.010.3795.2	1	control
170	04415777	1	small lever
180	0.900.0802.4	1	fork
190	04415779	2	shoe
210	0.900.0488.4	1	rod
220	04415781	1	driver
240	04415782	1	pin
244	04415783	1	pin
250	0.900.0802.2	1	fork 3/4
260	04415779	2	shoe
280	0.900.0121.7	1	rod
290	04415786	1	driver A = 4.2
290	04424422	1	driver A = 3.6
290	04424423	1	driver A = 3.9
290	04424424	1	driver A = 4.5
290	04424425	1	control panel A = 4.8
330	0.900.0884.1	1	fork
340	04415779	2	shoe
390	04423250	1	rod
400	04415791	1	driver
420	04419231	1	rod
440	0.010.2862.1	1	oil seal 25x3
460	0.010.2862.2	1	pin 12x45
470	0.900.0802.3	1	fork
480	04415779	2	shoe
490	04415794	1	rod
500	04415795	1	pin
510	0.900.2136.4	1	plug
510.20	04415683	1	oil seal 8x1.5
520	04433214	1	cover 32



Thank you so much for reading.
Please click the “Buy Now!”
button below to download the
complete manual.



After you pay.

You can download the most
perfect and complete manual in
the world immediately.

Our support email:

ebooklibonline@outlook.com