

COUNTERWEIGHTS

Fig.	P/n	QTY	Name
------	-----	-----	------

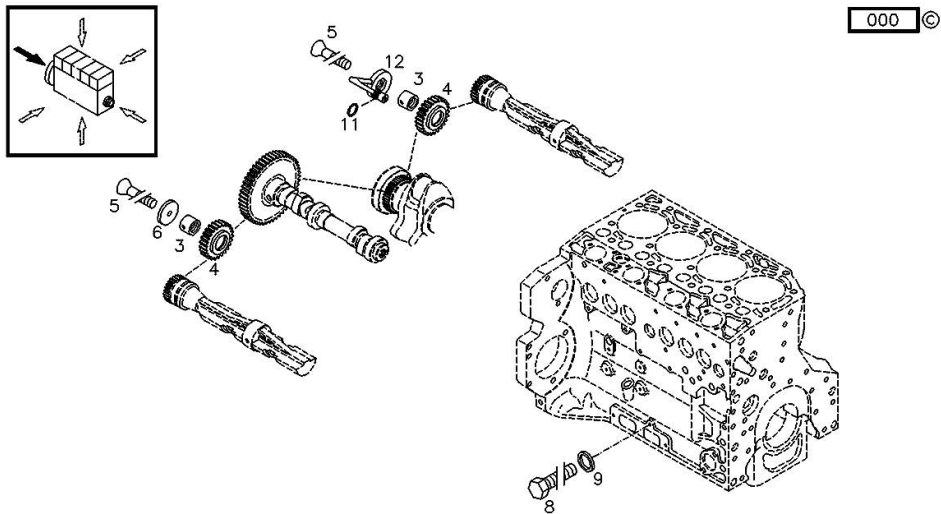
Notes:

[Fortis 150.4 -> WSXV360200LS50010]

Engine serial number:

22000507 22000508 22000573

3	04288828	2	journal
4	04294449	2	gear
5	01181673	2	screw
			H 2091 -7991-M8X45-10.9-GESCHW-MK-1.0
6	04255410	1	ring
8	01148220	2	valve
			ISO 4017 -M8X10-8.8-ZNAL-A
9	01118647	2	oil seal 8x11,5 d7603
			DIN 7603 -A8X11,5-CU
11	01181582	1	shoulder ring
			H 2927 -7X1,5-ACM-1-70
12	04255412	1	pin



0507 8756

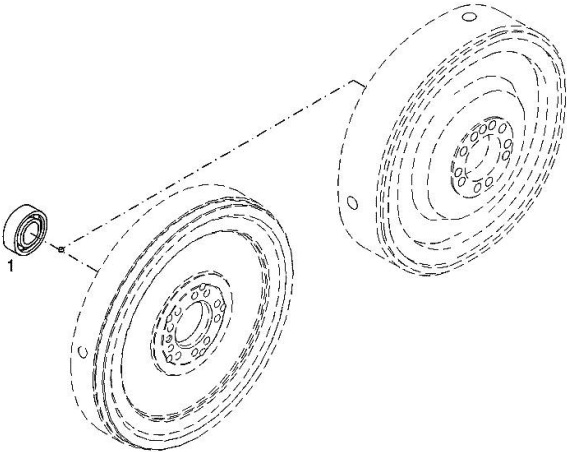
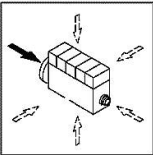
ACCESSORIES

Fig.	P/n	QTY	Name
------	-----	-----	------

Notes:
 [Fortis 150.4 -> WSXV360200LS50010]

Engine serial number:
 22000507 22000508 22000573

1	01136432	1	ball bearing DIN 625 -6304-2RS1
---	----------	---	------------------------------------



001 ©

MAIN BEARINGS

Fig.	P/n	QTY	Name
------	-----	-----	------

Notes:

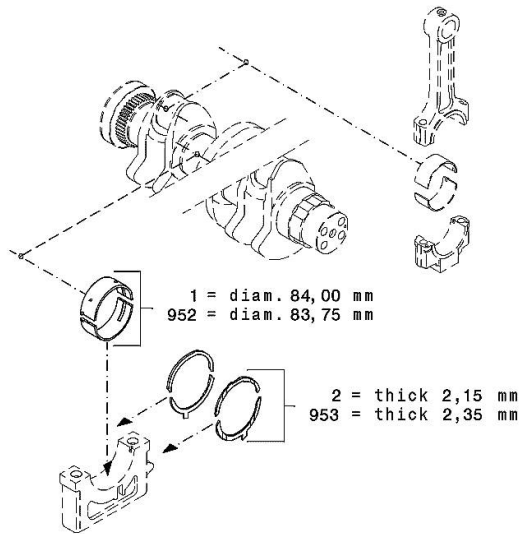
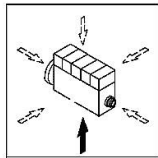
[Fortis 150.4 -> WSXV360200LS50010]

Engine serial number:

22000507 22000508 22000573

1	02931580	5	main bearing STANDARD STANDARD (A) MM RD, UNDERSIZE SEE POS. (B) A = 84.00 MM B = POS. 952
2	02931585	2	shoulder ring STANDARD STANDARD (A) MM, OVERSIZE SEE POS. (B) POS. (B) A = 2.15 MM B = Pos. 953
952	02931583	5	main bearing - mm 0.25 1st UNDERSIZE A = 83.75 MM
953	02931586	2	shoulder ring 1st OVERSIZE A = 2.35 MM

002 ©

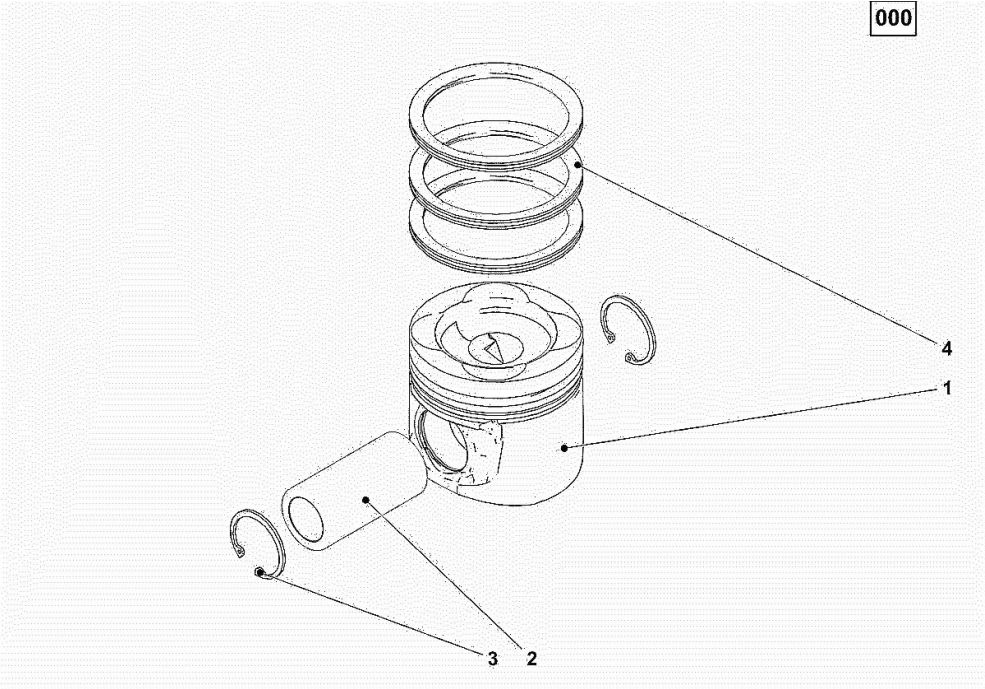


PISTON

Fig.	P/n	QTY	Name
------	-----	-----	------

Notes:
 [Fortis 150.4 -> WSXV360200LS50010]

Engine serial number:
 22000507 22000508 22000573



1	04509329	1	piston WITH POS.... (2-4)
2	00667126	1	piston pin
3	01148841	2	circlip DIN 472 -40X1,75*
4	04509331	1	piston ring set

CONNECTING ROD

Fig.	P/n	QTY	Name
------	-----	-----	------

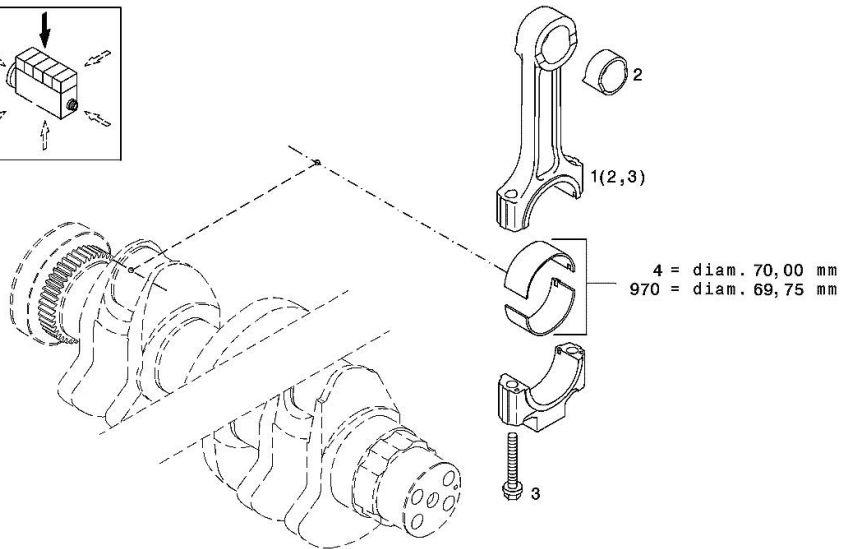
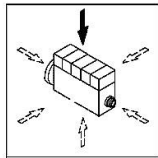
Notes:

[Fortis 150.4 -> WSXV360200LS50010]

Engine serial number:

22000507 22000508 22000573

1	04293425	1	connecting rod WITH POS.... (2,3)
2	04288314	1	bushing
3	04284184	2	screw 30 Nm , 60° , 60°
4	02931578	1	conrod bearing STANDARD NORMALE (A) MM RD, MINORAZIONE VEDERE POS. (B) A = 70.00 MM B = Pos.970
970	02931579	1	conrod bearing - mm 0.25 1st UNDERSIZE N A = 69.75 MM



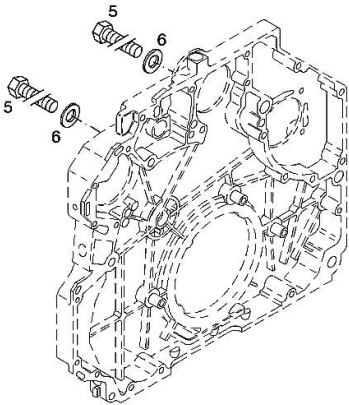
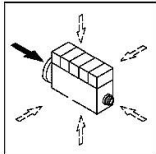
FASTENINGS

Fig.	P/n	QTY	Name
------	-----	-----	------

Notes:
 [Fortis 150.4 -> WSXV360200LS50010]

Engine serial number:
 22000507 22000508 22000573

5	01148131	2	screw 70 Nm ISO 4017 -M16X60-10.9-ZNAL-A
6	01107117	2	washer 17 DIN 125 -A17-140HV-A4C



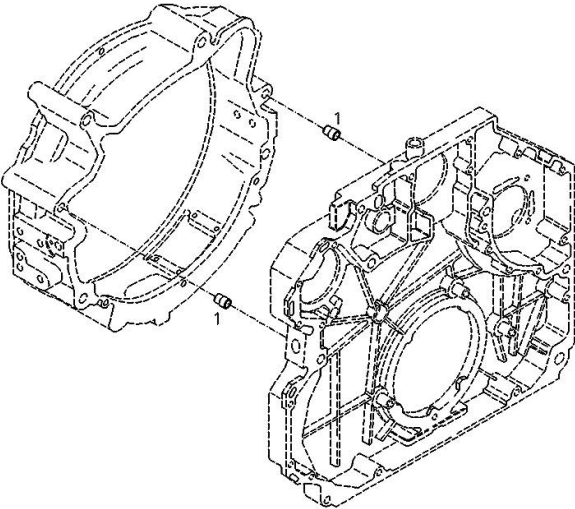
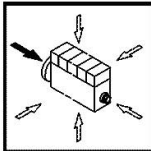
BUSH

Fig.	P/n	QTY	Name
------	-----	-----	------

Notes:
 [Fortis 150.4 -> WSXV360200LS50010]

Engine serial number:
 22000507 22000508 22000573

1	04282959	2	bush
---	----------	---	------



000 ©

0507 8284

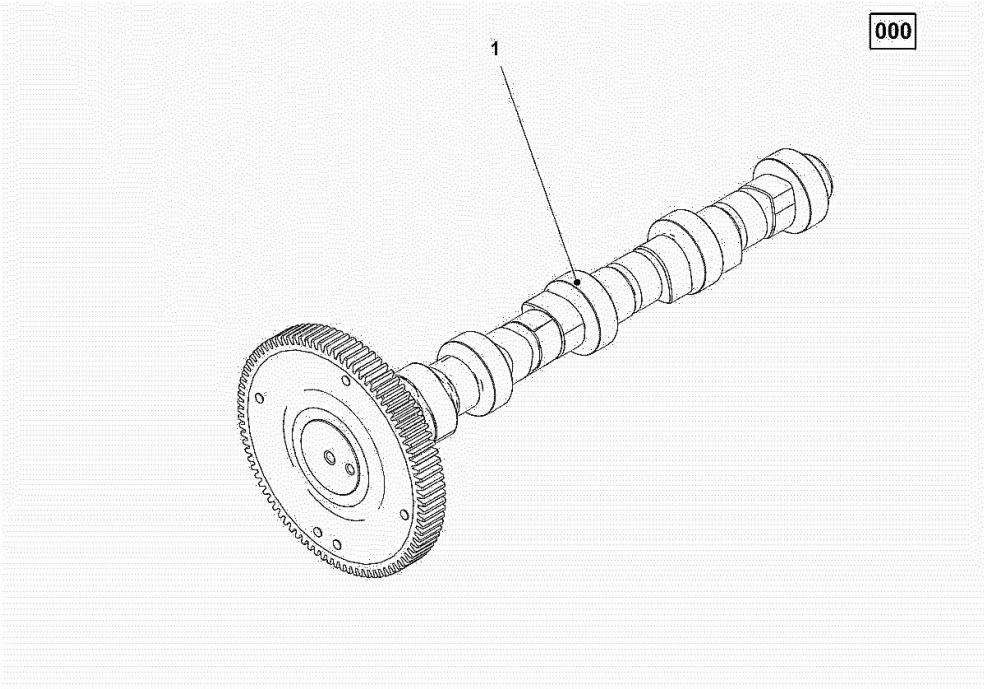
CAMSHAFT

Fig.	P/n	QTY	Name
------	-----	-----	------

Notes:
[Fortis 150.4 -> WSXV360200LS50010]

Engine serial number:
22000507 22000508 22000573

1	04506718	1	shaft
---	----------	---	-------

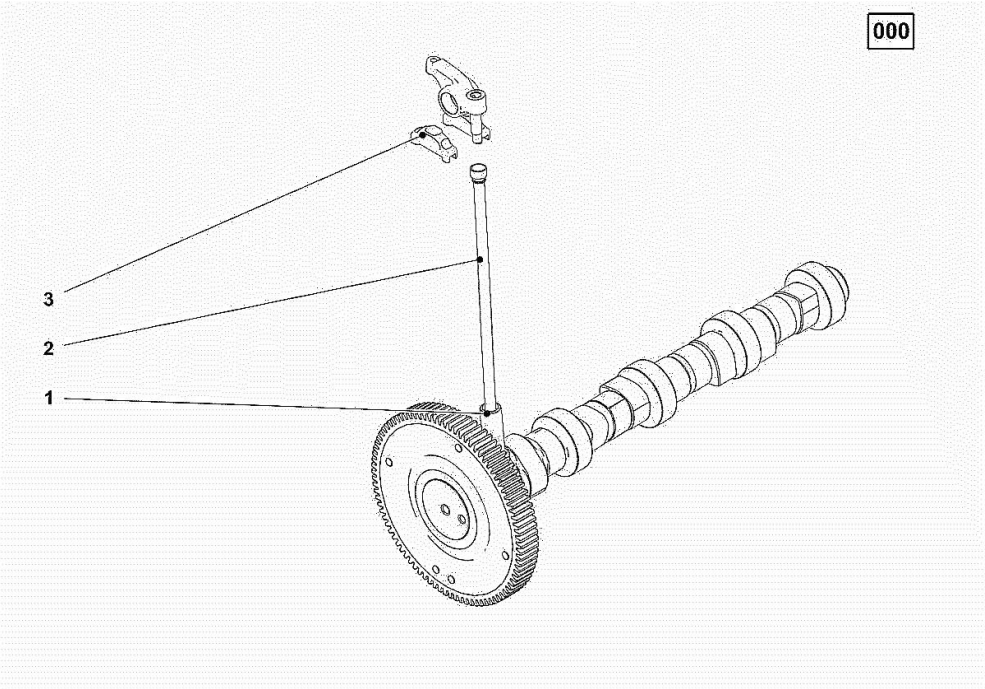


VALVE DRIVE

Fig.	P/n	QTY	Name
------	-----	-----	------

Notes:
[Fortis 150.4 -> WSXV360200LS50010]

Engine serial number:
22000507 22000508 22000573



1	04283150	8	cap
2	04501080	8	rod
3	04500016	8	rocker arm

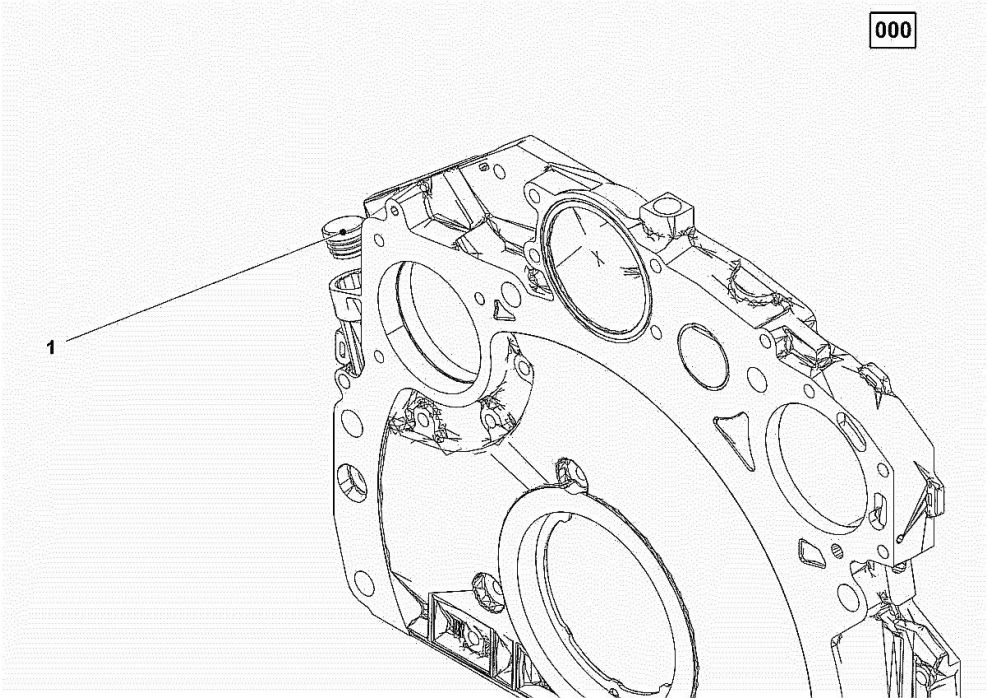
PLUG

Fig.	P/n	QTY	Name
------	-----	-----	------

Notes:
 [Fortis 150.4 -> WSXV360200LS50010]

Engine serial number:
 22000507 22000508 22000573

1	01181264	1	plug H 2870 -F3-28X14,0-PE-LLD
---	----------	---	-----------------------------------



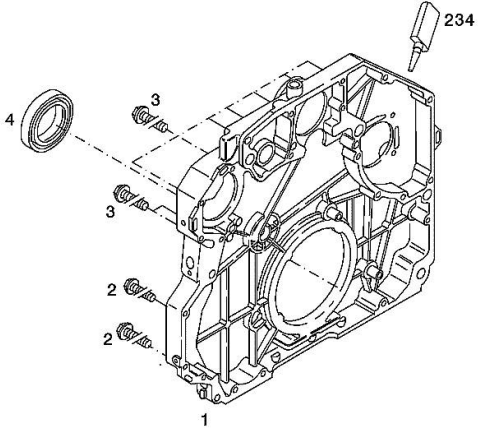
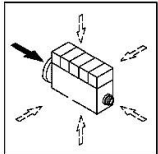
GEARCASE

Fig.	P/n	QTY	Name
------	-----	-----	------

Notes:
 [Fortis 150.4 -> WSXV360200LS50010]

Engine serial number:
 22000507 22000508 22000573

1	04291432	1	plate
2	01143362	12	screw 30 Nm EN 1662 -F-M8X35-10.9-A4C
3	01181437	9	screw 30 Nm EN 1662 -F-M8X45-10.9-ZNAL-A
4	04502203	1	ring
234	01016024	1	gasket H 0699 -DEUTZDW67-50ML



VENTILSTEUERUNG

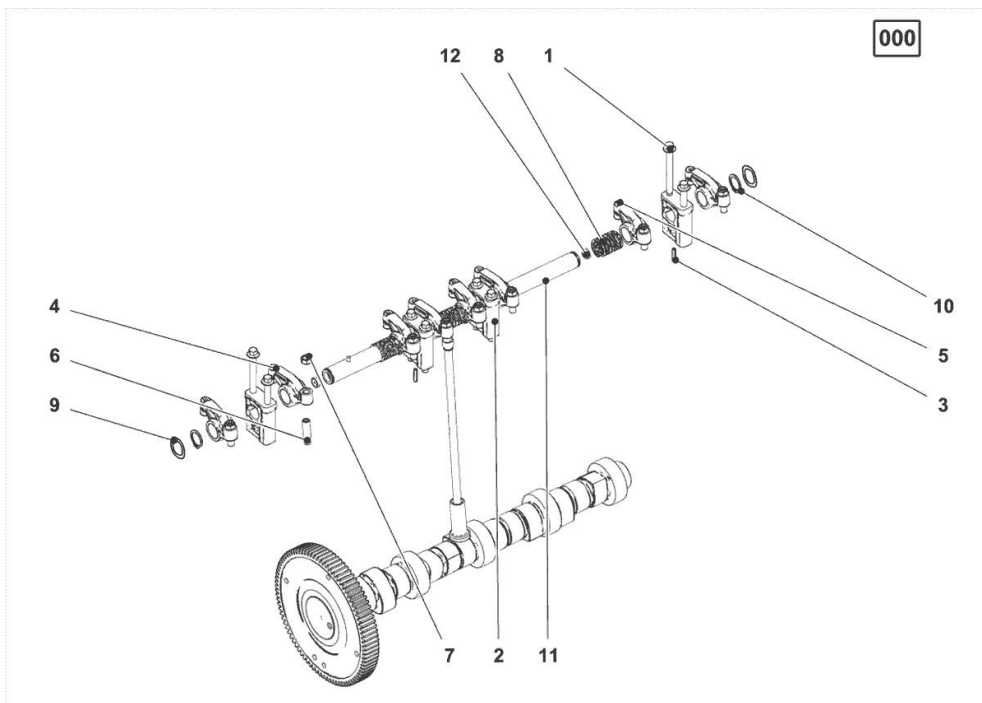
Fig.	P/n	QTY	Name
------	-----	-----	------

Notes:

[Fortis 150.4 -> WSXV360200LS50010]

Engine serial number:

22000507 22000508 22000573



1	01181435	8	screw 20 Nm , 30 Nm EN 1662 -F-M8X75-10.9-ZNAL-A*
2	04501728	4	support
3	01144117	2	pin ISO 8750 -5X20-ST
4	04501050	4	rocker arm MIT POS.... (6,7)
5	04501048	4	rocker arm MIT POS.... (6,7)
6	04902838	8	register
7	02109637	8	nut 20 Nm
8	04901080	3	spring
9	04504710	2	washer
10	01107732	2	circlip DIN 471 -22X1,2
11	04502015	1	rod MIT POS.... (12)
12	01180113	2	plug DIN 443 -14
950	04504712	1	none MIT POS.... (1-12)

FASTENINGS

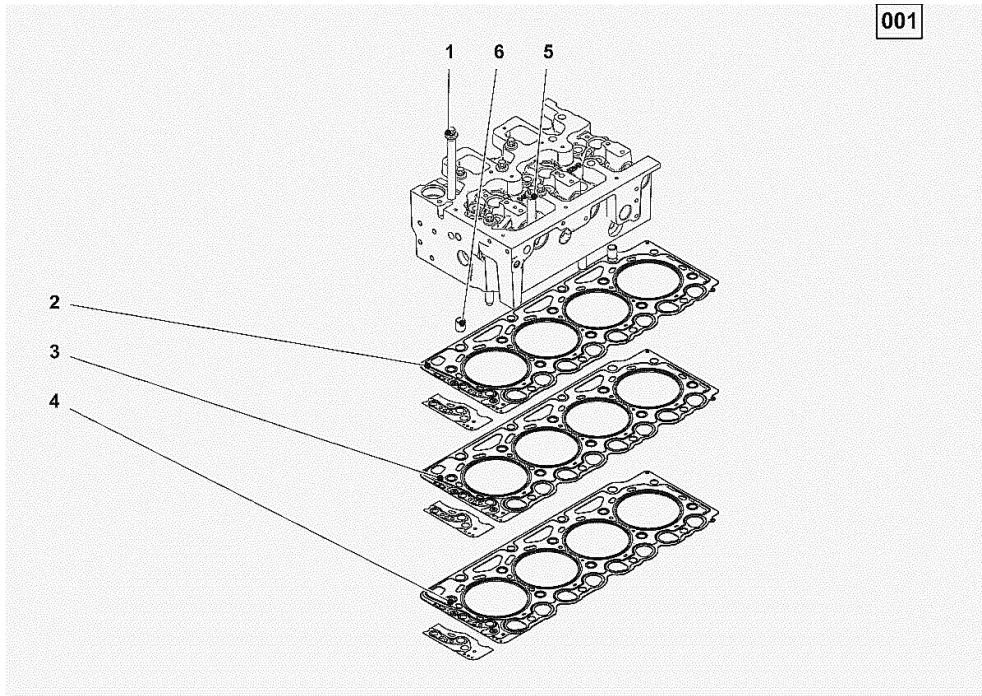
Fig.	P/n	QTY	Name
------	-----	-----	------

Notes:

[Fortis 150.4 -> WSXV360200LS50010]

Engine serial number:

22000507 22000508 22000573



1	04501930	14	screw 40 Nm ,70 Nm, 150°
2	04504793	1	gasket DEPENDING ON THE MEASUREMENT, GASKET THICKNESS DELIVERY STATUS (A)= ...MM ASSEMBLY STATUS (B)= ...MM FOR OTHER THICKNESSES SEE POS. (C) A = 1.30 mm
3	04504794	1	gasket DEPENDING ON THE MEASUREMENT, GASKET THICKNESS DELIVERY STATUS (A)= ...MM ASSEMBLY STATUS (B)= ...MM FOR OTHER THICKNESSES SEE POS. (C) A = 1.40 mm
4	04504795	1	gasket DEPENDING ON RESULTS OF THE MEASUREMENT, GASKET THICKNESS DELIVERY CONDITION (A)= ...MM ASSEMBLY CONDITION (B)= ...MM FOR OTHER THICKNESSES REFER TO POS. (C)
5	04251251	4	screw 40 Nm ,70 Nm, 120°
6	01181405	2	grub screw H 2341 -B15X18-FE/ZN12C*

MOTORAUFHAENGUNG

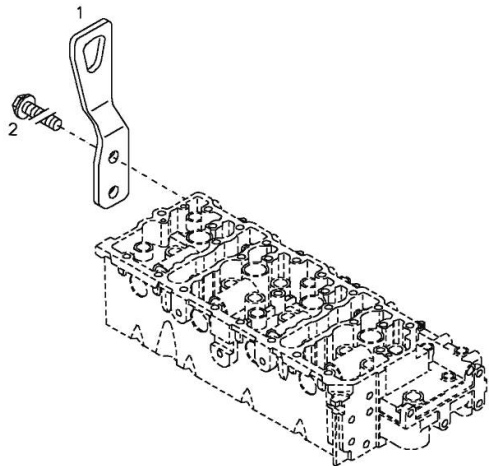
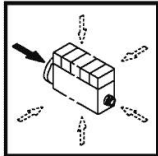
Fig.	P/n	QTY	Name
------	-----	-----	------

Notes:
 [Fortis 150.4 -> WSXV360200LS50010]

Engine serial number:
 22000507 22000508 22000573

2	01183652	2	screw 40.5 Nm EN 1662 -F-M10X25-10.9-ZNAL-A
1	04289469	1	bracket

000 ©



CYLINDER HEAD

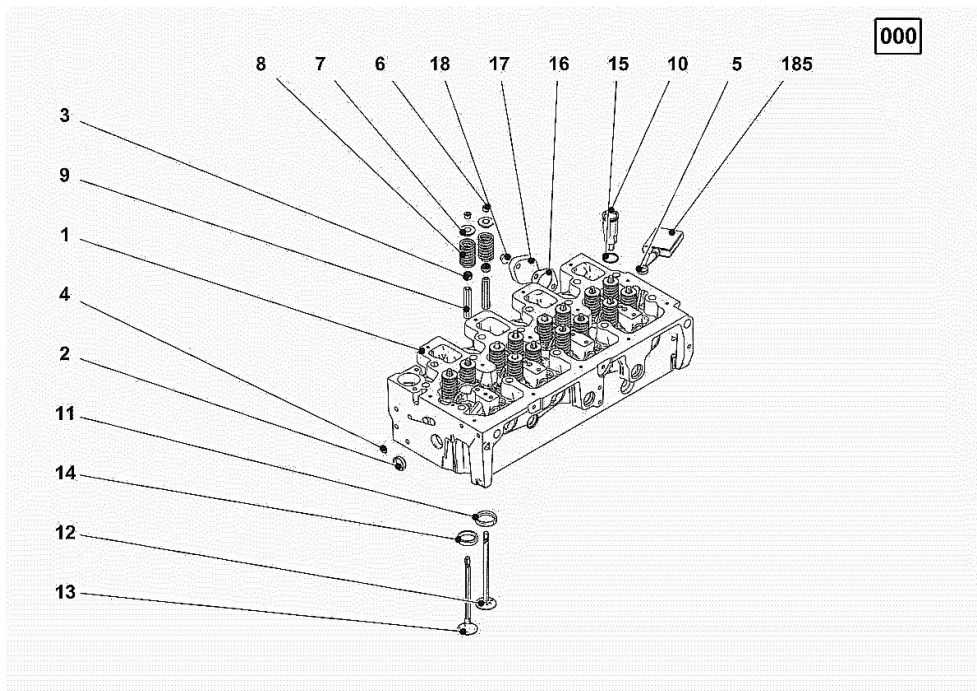
Fig.	P/n	QTY	Name
------	-----	-----	------

Notes:

[Fortis 150.4 -> WSXV360200LS50010]

Engine serial number:

22000507 22000508 22000573



1	04510156	1	head WITH POS.... (2-18)
2	01165830	4	plug H 711 -B25
3	04153728	16	gasket
4	01182778	2	plug H 711 -B12-7*
5	01165828	10	stop H 711 -B20
6	02108102	32	half shell H 7020 -MK8
7	04250029	16	cup
8	04250396	16	spring
9	04908629	16	valve guide
10	04904885	4	bushing
11	04504789	8	valve seat
12	04500651	8	inlet valve
13	04501941	8	exhaust valve
14	04501935	8	valve seat
15	01182790	4	circlip H 2927 -23,6X2,0-FPM-1-70
16	01120818	1	gasket DIN 71511 -35X58X1-DEUTZDW20
17	01215164	1	flange DIN 71501 -B0X58-1
18	01181433	2	screw 30 Nm EN 1662 -F-M8X20-LG2,5-10.9-ZNAL-A
185	01319910	1	guard

Thank you so much for reading.
Please click the “Buy Now!”
button below to download the
complete manual.



After you pay.

You can download the most
perfect and complete manual in
the world immediately.

Our support email:

ebooklibonline@outlook.com