

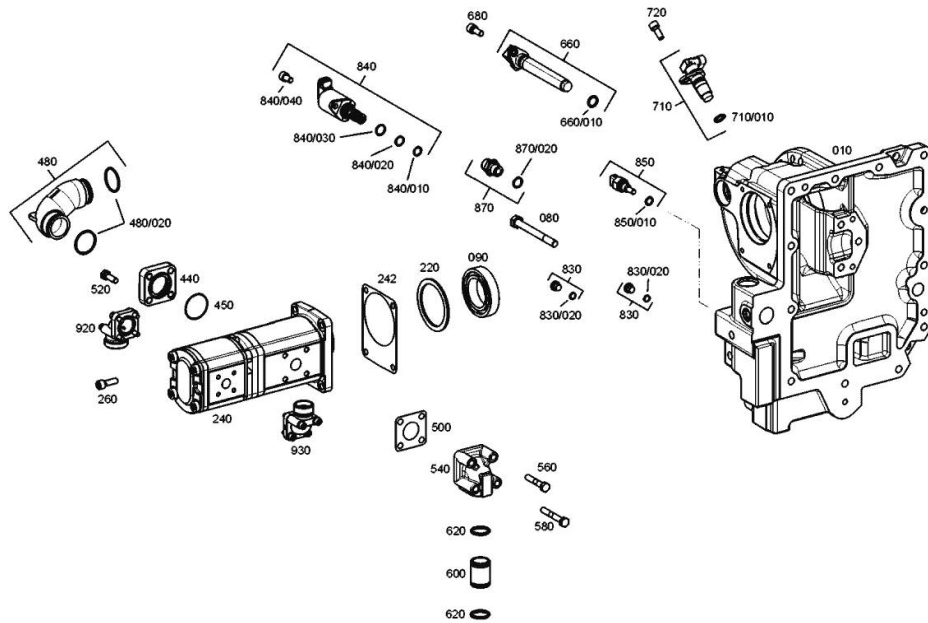
FORTIS 150.4 Infinity ->WSXAP40200LS50010

Section: D0 - TRANSMISSION

Ref: 0.019.1522.4/10

**PUMP DRIVE - 2093 011 006**

Fig.	P/n	QTY	Name
10	0.900.2053.3	1	box
80	0.010.2872.0	1	screw m 10 x 100
90	04415834	2	ball bearing
220	04417130	1	washer mm 3.00
240	0.900.2045.2	1	pump
242	04415921	1	gasket
260	01110576	4	screw
440	0.900.0051.2	1	flange
450	0.900.0051.3	1	oil seal
480	0.900.0051.4	1	manifold
480.20	0.010.3728.0	1	oil seal 33x2.5
500	04415827	1	gasket
520	04434498	4	screw m 8 x 25
540	04415836	1	manifold
560	04434549	2	screw m 8 x 45
580	0.010.3782.2	2	screw m 8 x 55
600	0.900.2050.3	1	tube
620	04415838	2	ring 23X2.5
660	04438436	1	speed sensor L = 125,1mm
660.10	04417747	1	oil seal 15.54x2.62
680	04434551	1	screw m 8 p.1.25 x 20
710	0.010.2874.2	1	speed sensor
710.10	04417747	1	oil seal 15.54x2.62
720	04434551	1	screw m 8 p.1.25 x 20
830	0.900.2136.4	2	plug
830.20	04415683	1	oil seal 8x1.5
840	0.900.0952.8	1	solenoid valve DV
840.10	0.900.1377.6	1	gasket 13 x 1.5
840.20	0.900.1377.5	1	gasket 12,4 x 1,78
840.30	0.900.1377.7	1	gasket 14x1.78
840.40	0.900.1377.8	1	screw m 8 x 16
850	0.900.0800.6	1	temperature gauge
850.10	0.900.0801.6	1	ring 11x2 ZFN 744 FPM-80-10
870	0.900.1381.5	1	vent
870.20	02315162	1	oil seal 13x2
920	0.900.1459.5	1	flange
930	0.900.1466.2	1	flange



FORTIS 150.4 Infinity ->WSXAP40200LS50010

Section: D0 - TRANSMISSION

Ref: 0.019.1522.4/10

PUMP DRIVE - 2093 011 006

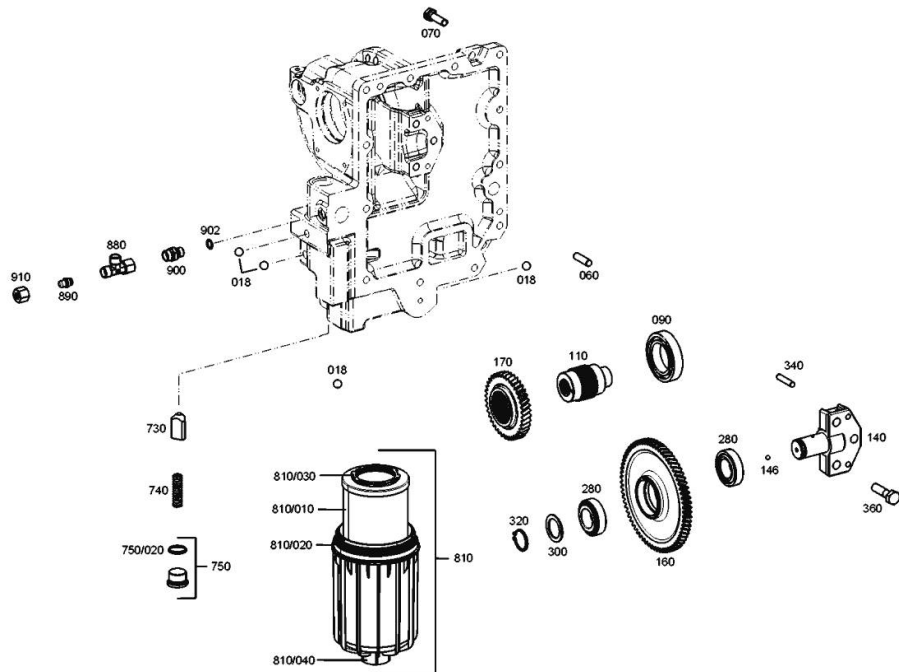
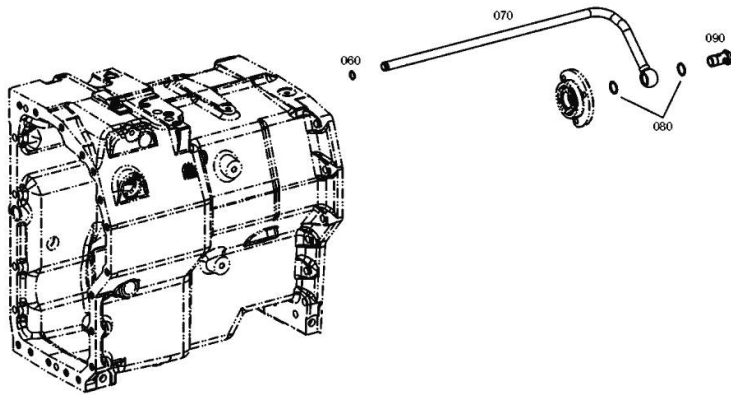


Fig.	P/n	QTY	Name
18	04415830	4	ball 12 mm
60	04415833	2	cylindrical plug 10 m 6x35
70	04434540	11	screw m 10 x 35
90	04415834	1	ball bearing
110	0.900.0488.6	1	bush z=38
140	04415918	1	bearing block
146	04415919	1	ball
160	0.900.0884.6	1	gear z=71
170	0.900.0884.7	1	gear z=39
280	04415821	2	ball bearing
300	04416775	1	shim mm 2.50
300	04416776	1	shim mm 2.00
300	04416777	1	shim mm 2.40
300	04416778	1	shim mm 2.50
300	04417056	1	shim mm 2.10
300	04417115	1	shim mm 2.05
300	04417117	1	shim mm 2.15
300	04417118	1	shim mm 2.20
300	04417119	1	shim mm 2.25
300	04417120	1	shim mm 2.30
300	04417121	1	shim mm 2.35
300	04417123	1	shim mm 2.45
300	04417126	1	shim mm 1.85
300	04417127	1	shim mm 1.90
300	04417128	1	shim mm 1.95
320	0.010.2621.1	1	circlip 30x2
340	04415823	2	screw 8 m 6x36
360	04431795	3	screw
730	0.900.0489.2	1	cone
740	04415955	1	spring
750	04434341	1	plug
750.20	04436328	1	oil seal 23x2
810	0.900.0119.6	1	oil filter
	☞ 0.900.0119.6		hydr.oil filter elem.
810.10	0.900.0374.4	1	gasket
810.20	0.900.0379.1	1	oil seal
810.30	0.900.0466.4	1	plug
810.40	0.900.0466.5	1	plug
880	0.900.2123.7	1	pipe fitting
890	0.900.1638.1	1	plug
900	0.900.0282.2	1	pipe union
902	0.010.2627.1	1	oil seal 11x2
910	04417784	1	nut

**HYDRAULIC SYSTEM - 2093 011 006**

Fig.	P/n	QTY	Name
60	02968175	1	oil seal 15x2
70	04415922	1	tube
80	0.010.2622.0	2	gasket 22 x 27
90	04415923	1	pipe union 18 DIN 7643



TRANSMISSION - 2093 011 006

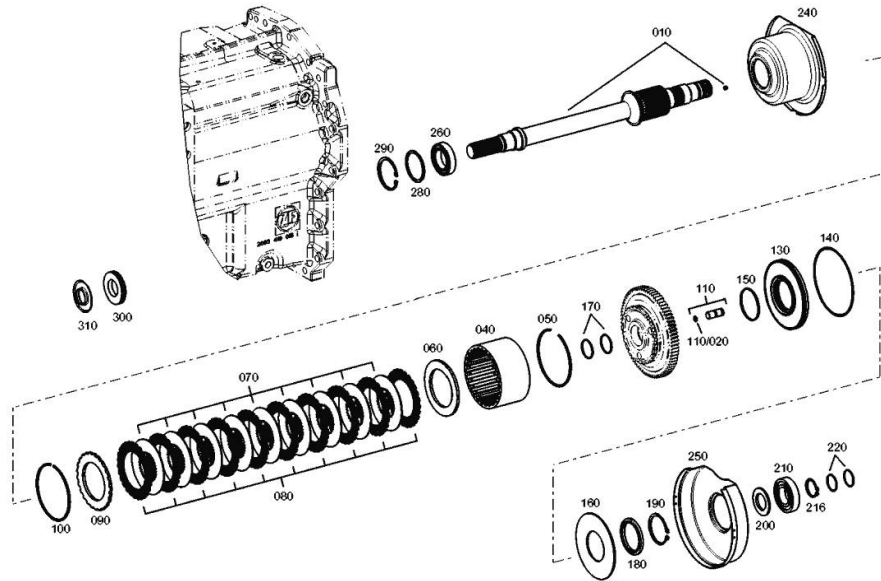


Fig.	P/n	QTY	Name
10	0.900.2048.6	1	shaft
40	04416804	1	support z = 27
50	0.900.0985.1	1	circlip
60	0.010.2875.2	1	shim mm 7.3
60	04416588	1	shim mm 5.5
60	04416589	1	shim mm 5.7
60	04416590	1	shim mm 5.9
60	04416591	1	shim mm 6.1
60	04416592	1	shim mm 6.3
60	04416593	1	shim mm 6.5
60	04416594	1	shim mm 6.7
60	04416595	1	shim mm 6.9
60	04416596	1	shim mm 7.1
60	04416598	1	shim mm 7.5
60	04416599	1	shim mm 7.7
60	04416600	1	shim mm 7.9
60	04416601	1	shim mm 8.1
60	04416602	1	shim mm 8.3
60	04416603	1	shim mm 8.5
60	04416604	1	shim mm 8.7
70	04415930	9	disc
80	0.900.1498.0	10	disc
90	04415932	1	disc
100	04415933	1	circlip mm 2.5
110	0.010.2876.0	3	pin
110.20	0.010.3258.2	1	oil seal 12x2.5
130	0.900.2050.6	1	piston
140	0.900.2046.4	1	oil seal 156x3
150	0.900.2046.3	1	oil seal 70x3
160	04415938	1	spring
170	04415939	2	ring 45x2
180	04436290	1	washer
190	0.010.2876.1	1	circlip 68x2.5
200	04415941	1	washer
210	04415942	1	bearing
216	0.010.2876.2	1	circlip 40x2.5
220	04416364	2	ring 40x2
240	04415945	1	plate
250	0.900.1357.1	1	guard
260	0.010.2877.0	1	ball bearing
280	0.010.3259.0	1	washer mm 2.00
280	0.010.3259.1	1	washer mm 2.05
280	0.010.3259.2	1	washer mm 2.10
280	0.010.3260.0	1	washer mm 2.15

FORTIS 150.4 Infinity ->WSXAP40200LS50010

Section: D0 - TRANSMISSION

Ref: 0.019.1522.4/10

TRANSMISSION - 2093 011 006

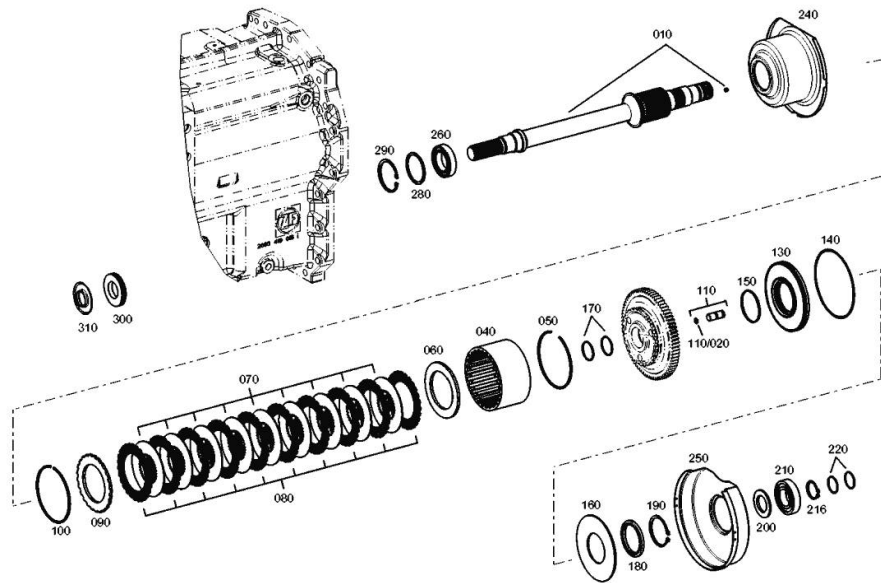
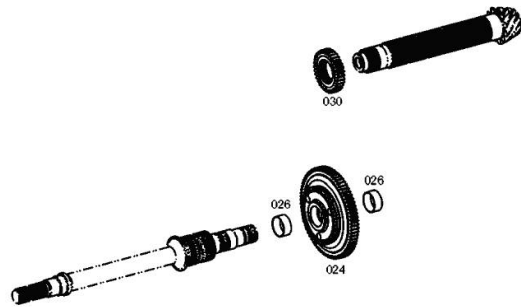


Fig.	P/n	QTY	Name
280	0.010.3260.1	1	washer mm 2.25
280	0.010.3260.2	1	washer mm 2.35
280	0.010.3261.0	1	washer mm 2.45
280	0.010.3261.1	1	washer mm 2.55
280	0.010.3261.2	1	washer mm 2.65
280	0.900.2047.2	1	disc S = 1.70
280	0.900.2047.3	1	disc S = 1.80
280	0.900.2047.4	1	disc S = 1.90
280	04417009	1	washer mm 2.20
280	04417010	1	washer mm 2.30
280	04417011	1	washer mm 2.40
280	04417012	1	washer mm 2.50
280	04417013	1	washer mm 2.60
280	04417014	1	washer mm 2.70
280	04417015	1	washer mm 2.80
280	04424426	1	washer mm 2.90
280	04424427	1	washer mm 3.00
280	04424428	1	washer mm 3.10
280	04424429	1	washer mm 3.20
290	04415949	1	circlip 75x3
300	04415950	1	oil seal
310	04415951	1	plate

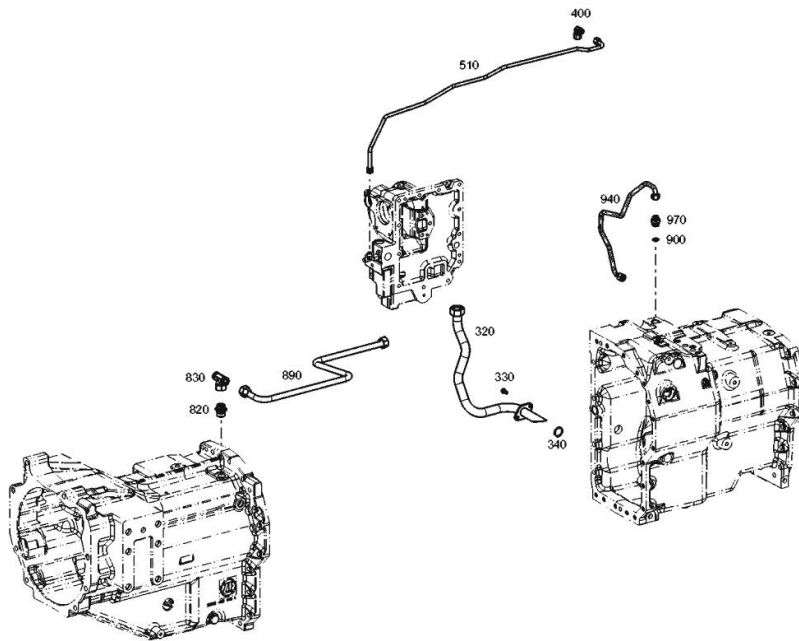
**TRANSMISSION - 2093 011 006**

Fig.	P/n	QTY	Name
24	0.900.2050.7	1	gear z = 61
26	04434385	2	bushing
30	04418573	1	gear Z = 31



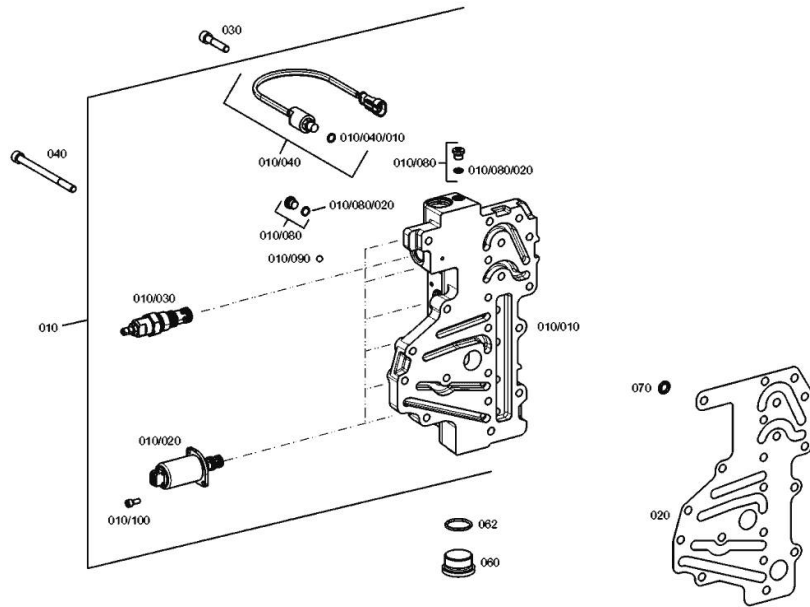
**HYDRAULIC SYSTEM - 2093 011 006**

Fig.	P/n	QTY	Name
320	0.900.1462.2	1	tube kpl.
330	04434497	2	screw m 8 x 18
340	0.010.3257.2	1	gasket 28x2.5
400	0.010.2877.2	1	pipe fitting EEL 10
510	0.900.2048.0	1	tube
820	0.010.2878.2	1	pipe fitting
830	0.900.2047.0	1	pipe fitting
890	0.900.2048.1	1	tube
900	04438451	1	small mesh
940	0.900.0954.2	1	tube
970	0.010.3805.0	1	vent



**HYDRAULIC SYSTEM - 2093 011 006**

Fig.	P/n	QTY	Name
10	0.900.2048.4	1	hydraulic control block
10.10	0.900.2050.8	1	hydraulic control block
10.20	0.900.2045.8	6	regulator
10.30	0.900.2045.3	1	valve
10.40	04431690	1	pressure switch
10.40.10	04415683	1	oil seal 8x1.5
10.80	0.900.2136.4	7	plug
10.80.20	04415683	1	oil seal 8x1.5
10.90	0.900.2046.5	6	ball Ø mm 7
10.100	04434506	12	screw m 5 x 12
20	0.900.2050.9	1	gasket
30	0.900.2046.8	12	screw m8x40
40	0.900.2046.9	6	screw m8x115
60	0.900.2123.8	1	screw m 33 x 2
62	04415825	1	ring 30x2.5
70	01295714	1	ring 10X3





**POWER SHIFT - 2093 011 006**

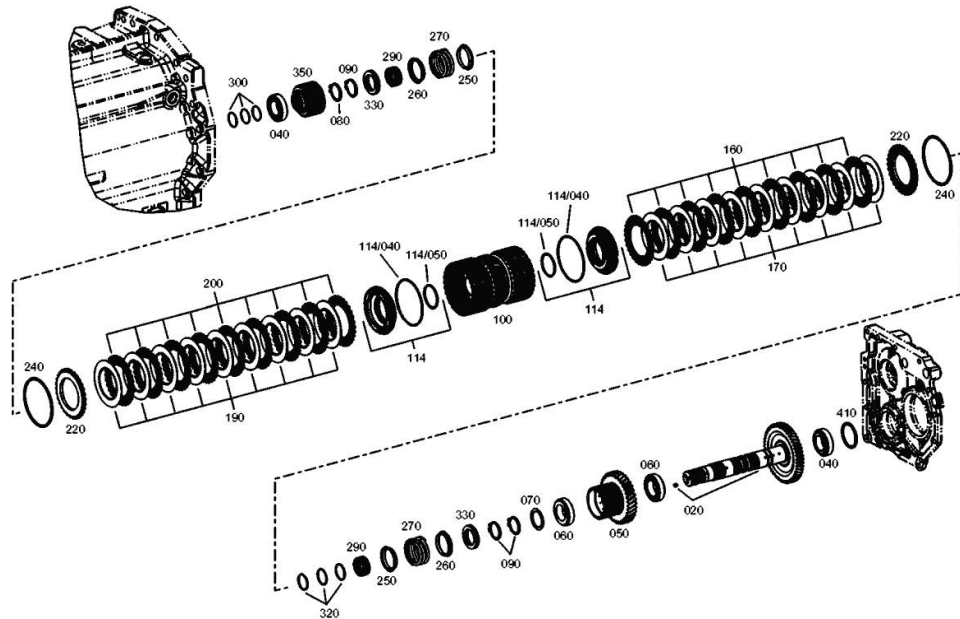


Fig.	P/n	QTY	Name
20	0.900.2048.7	1	shaft
40	04416358	2	roller bearing
50	0.900.0955.6	1	gear wheel
60	04416950	2	bearing
70	0.010.2886.0	1	washer mm 1.175
70	0.010.2886.1	1	washer mm 1.15
70	04417016	1	washer mm 1.2
70	04417017	1	washer mm 1.25
70	04417018	1	washer mm 1.30
70	04417019	1	washer mm 1.35
70	04417020	1	washer mm 1.4
70	04417021	1	washer mm 1.45
70	04417022	1	washer mm 1.5
70	04417023	1	washer mm 1.55
70	04417024	1	washer mm 1.60
70	04417025	1	washer mm 1.65
70	04417026	1	washer mm 1.7
70	04417027	1	washer mm 1.75
70	04417028	1	washer mm 1.80
70	04417029	1	shim mm 1.225
70	04417030	1	shim mm 1.275
70	04417031	1	shim mm 1.325
70	04417032	1	shim mm 1.375
70	04417033	1	shim mm 1.425
70	04417034	1	shim mm 1.475
70	04417035	1	shim mm 1.525
70	04417036	1	shim mm 1.575
70	04417037	1	shim mm 1.625
70	04417038	1	shim mm 1.675
70	04417039	1	shim mm 1.725
70	04417040	1	shim mm 1.775
80	04416951	1	circlip
90	0.010.3347.1	3	circlip 38x2.5
100	0.900.0883.5	1	support
114	04431746	2	piston
114.40	04419762	1	oil seal 104x3
114.50	04419763	1	oil seal 50x3
160	04416760	9	clutch plate AV 35
170	04416967	9	clutch plate
190	04416967	9	clutch plate
200	04416760	9	clutch plate AV 35
220	04416763	2	disc
240	0.900.0801.9	1	circlip A=2,75
240	0.900.0802.0	1	circlip A=3,25

**POWER SHIFT - 2093 011 006**

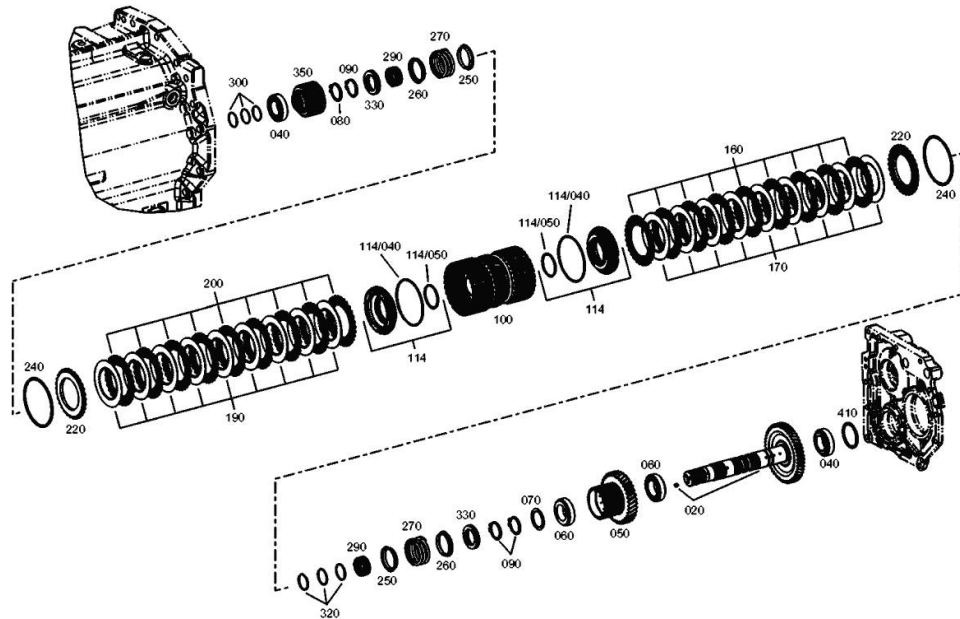


Fig.	P/n	QTY	Name
240	0.900.0802.1	1	circlip A=2,25
240	04416765	1	circlip A = 2.0
240	04416766	1	circlip A = 2.5
240	04416767	1	circlip A = 3.0
240	04416768	1	circlip A = 3.5
250	04416953	2	ring
260	04416954	2	ring
270	04416759	2	spring
290	04416955	2	roller cage
300	04415761	3	ring 35x2
320	04416956	3	ring 38/35.2x2
330	04416957	2	bearing
350	04416958	1	plate carrier Z = 36
410	04417041	1	washer mm 1.90
410	04417042	1	washer mm 1.95
410	04417043	1	washer mm 2.00
410	04417044	1	washer mm 2.05
410	04417045	1	washer mm 2.10
410	04417046	1	washer mm 2.15
410	04417047	1	washer mm 2.20
410	04417048	1	washer mm 2.25
410	04417049	1	washer mm 2.30
410	04417050	1	washer mm 2.35
410	04417051	1	washer mm 2.40
410	04417052	1	washer mm 2.45
410	04417053	1	washer mm 2.50
410	04417054	1	washer mm 2.55
410	04417055	1	washer mm 2.60
410	04424430	1	washer mm 2.65
410	04424431	1	washer mm 2.70
410	04424432	1	washer mm 2.75
410	04424433	1	washer mm 2.80
410	04424434	1	washer mm 2.85
410	04424435	1	washer mm 2.90

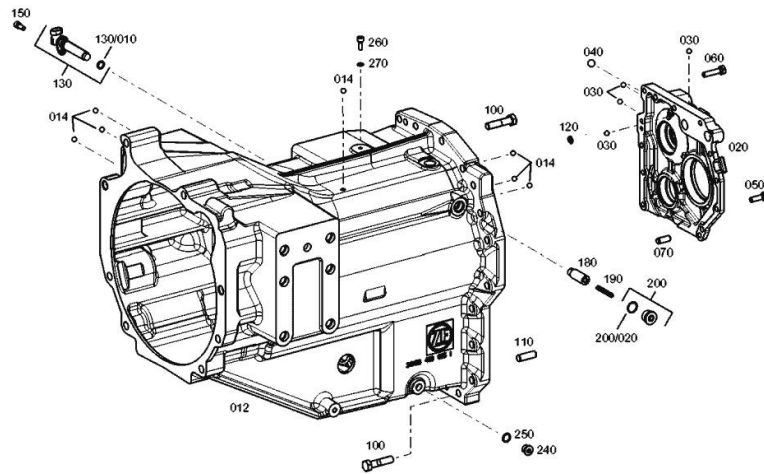
**FORTIS 150.4 Infinity ->WSXAP40200LS50010**

Section: D0 - TRANSMISSION

Ref: 0.019.1522.4/10

**GEARBOX - 2093 011 006**

Fig.	P/n	QTY	Name
12	0.900.2050.2	1	clutch housing
14	04417322	7	ball
20	04419771	1	cover
30	04417322	4	ball
40	04416962	1	ball
50	0.010.2616.1	7	screw m 10x32
60	0.010.2886.2	3	screw m 10 p.1.5 x 45
70	0.010.2887.0	2	pin 12x32
100	0.900.0290.9	20	screw m 14 x 60
110	04415073	2	cylindrical plug 14 m 6x40
120	01295714	2	ring 10X3
130	04438449	1	position sensor L = 94,8mm
130.10	04417747	1	oil seal 15.54x2.62
150	04434551	1	screw m 8 p.1.25 x 20
180	04415971	1	small piston
190	04416991	1	spring
200	04434392	1	plug
200.20	04436296	1	ring 21x2
240	0.010.2909.0	1	plug m 16 p.1.5
250	04436331	1	oil seal 16 x 20
260	04434551	1	screw m 8 p.1.25 x 20
270	0.900.2053.7	1	ring



Thank you so much for reading.  
Please click the “Buy Now!”  
button below to download the  
complete manual.



After you pay.

You can download the most  
perfect and complete manual in  
the world immediately.

Our support email:

[ebooklibonline@outlook.com](mailto:ebooklibonline@outlook.com)