

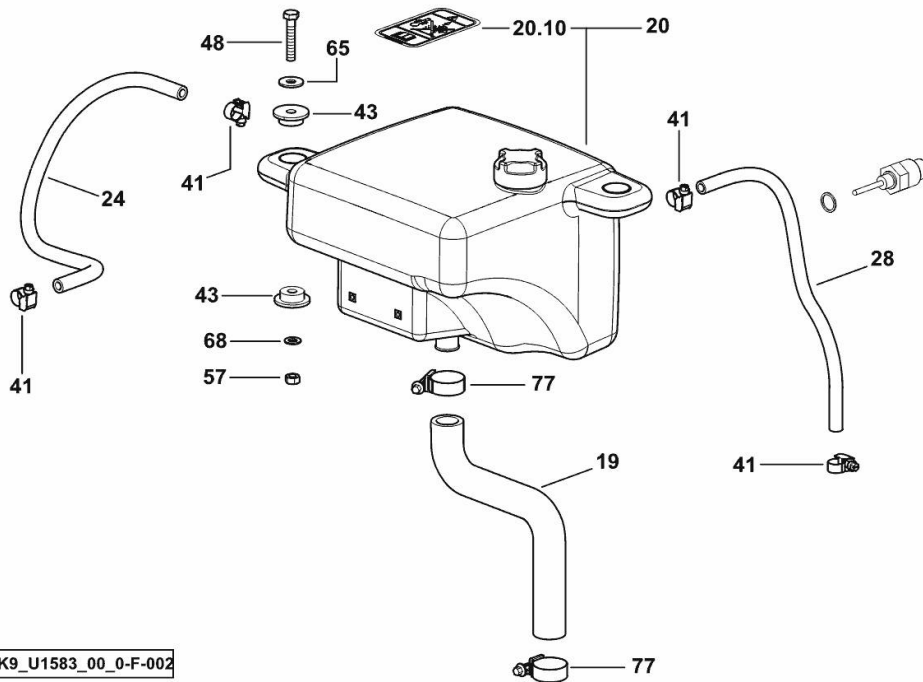
**COOLING - EXPANSION TANK**

Fig.	P/n	QTY	Name
------	-----	-----	------

**Notes:**

[FORTIS 160 ->WSXAS40200LS50010]

19	0.019.7070.0/10	1	tube
20	0.018.5486.4/30	1	small tank ☞ 0.018.5486.4/30
20.10	2.9939.280.0	1	plate
24	0.012.6457.0	1	tube
28	0.012.6457.0	1	tube
41	01173965	4	clamp 10-16/9 h3461
43	04432147	4	ring
48	2.0112.217.2	2	screw m 8 p.1.25 x 45
57	2.1011.105.2	10	nut m 8 p.1.25
65	2.1312.004.2	3	washer 8x24x2
68	2.1475.002.2	2	conical washer 8
77	2.6851.003.0	2	clamp Ø 25/40



K9\_U1583\_00\_0-F-002

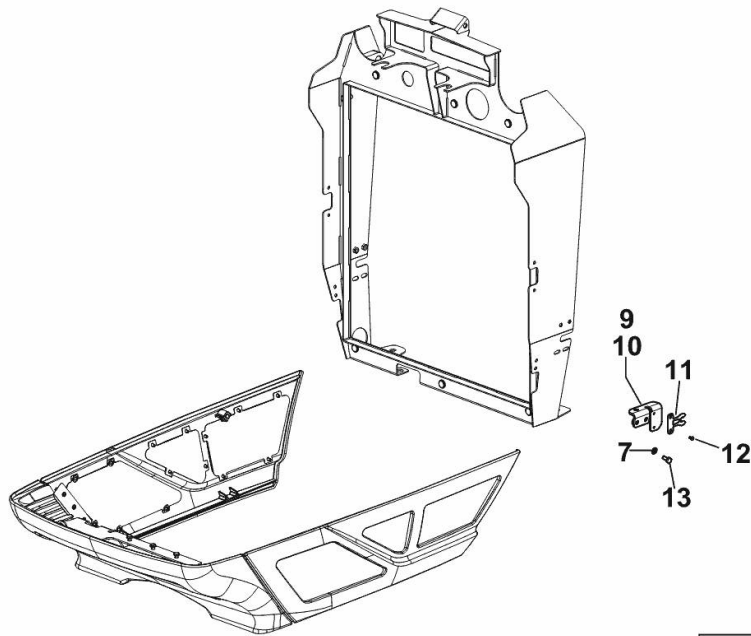
**HOOD SIDE PANEL SX/LH/LI - DX/RH/RE**

Fig.	P/n	QTY	Name
------	-----	-----	------

**Notes:**

[FORTIS 160 ->WSXAS40200LS50010] -> 50024

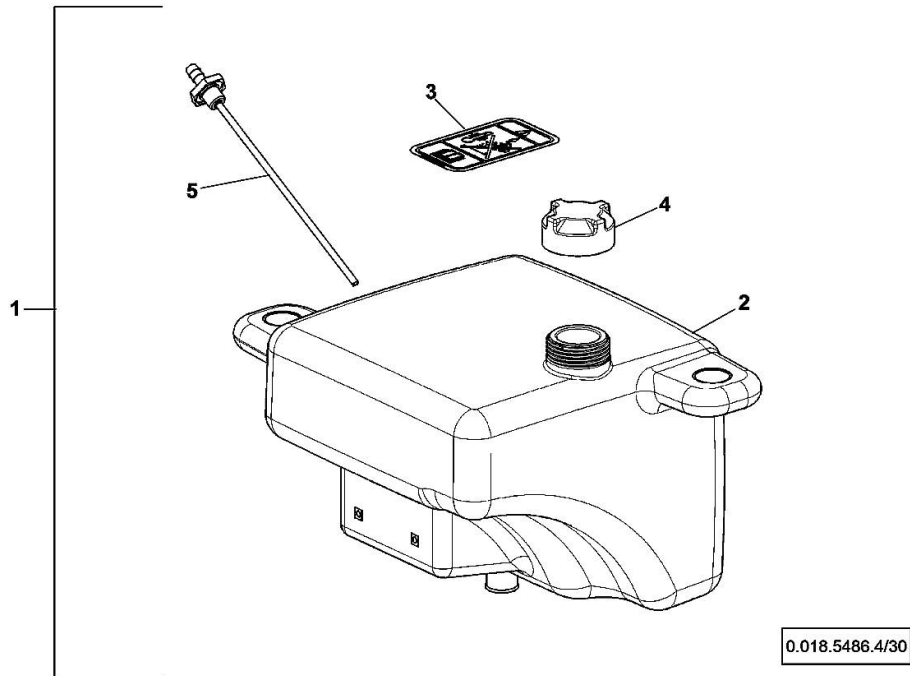
7	2.1310.002.2	15	flat washer 6.4x12.5
9	0.019.0244.3/10	1	bracket dx/rh/re
10	0.019.0245.3/10	1	bracket sx/lh/li
11	0.017.6361.0/30	2	stop
12	04414182	4	rivet 4.8
13	2.0112.004.2	4	screw m 6 p.1 x 14



K9\_U1672\_06\_0-B-001

**WATER TANK**

Fig.	P/n	QTY	Name
1	0.018.5486.4/30	1	small tank
2	0.000.0000.1		cannot be supplied
3	2.9939.280.0	1	plate
4	0.010.3465.1	1	plug
5	0.020.1742.3/10	1	tube

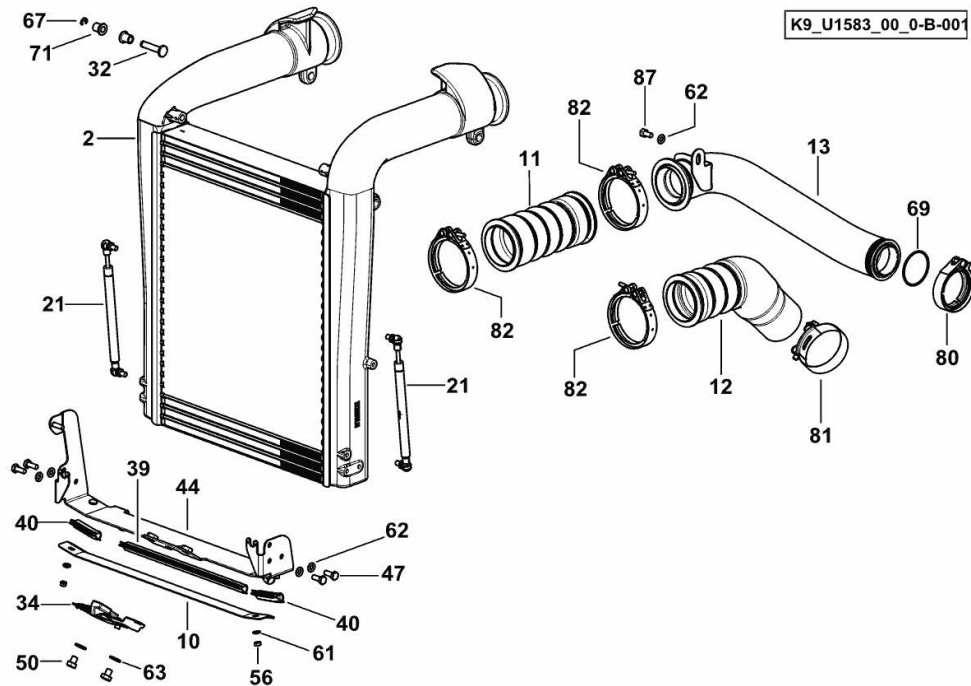


**INTERCOOLER**

Fig.	P/n	QTY	Name
------	-----	-----	------

**Notes:**

[FORTIS 160 ->WSXAS40200LS50010]



2	0.021.2353.4	1	intercooler
10	0.019.0632.0/10	1	bracket
11	0.019.0603.4	1	sleeve
12	0.019.0594.4	1	sleeve
13	0.019.0617.2/10	1	tube
21	0.018.8024.4	2	shock absorber
32	0.017.4798.0	2	pin
34	0.013.3609.4	1	lock
39	0.019.0633.0	1	gasket
40	0.019.0634.0	2	gasket
44	0.019.0098.3/20	1	support
47	2.0112.207.2	4	screw m 8 p 1.25 x 20
50	2.0112.303.2	2	screw m 10 p.1.5x12
56	2.1011.103.2	4	nut m 6 p.1
61	2.1310.002.2	7	flat washer 6.4x12.5
62	2.1310.004.2	13	flat washer 8.4x17
63	2.1310.006.2	6	flat washer 10.5x21
67	2.1430.009.2	2	ring 8
69	2.1532.143.0	1	oil seal
71	2.1559.147.0	4	bushing
80	2.6859.118.0	1	clamp Ø 77
81	2.6859.148.2	1	clamp Ø 79-85
82	2.6859.166.0	3	clamp Ø 97
87	2.0112.205.2	1	screw m 8 p.1.25 x 16

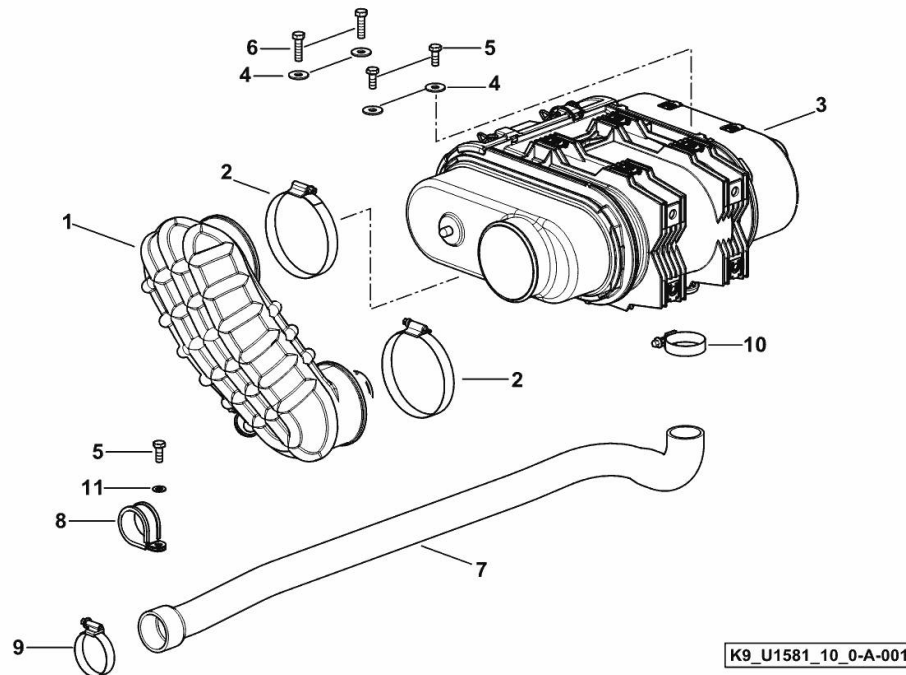
**AIR CLEANER 9"**

Fig.	P/n	QTY	Name
------	-----	-----	------

**Notes:**

[FORTIS 160 ->WSXAS40200LS50010]

1	0.018.4515.4/10	1	sleeve
2	2.6859.150.0	2	clamp 95/118
3	2.4249.731.0/20	1	air filter ( -> 50010 ) ☞ 2.4249.731.0/20
4	2.1312.004.2	4	washer 8x24x2
5	2.0112.207.2	4	screw m 8 p 1.25 x 20
6	2.0112.211.2	2	screw m 8 p.1.25 x 30
7	0.019.0627.0/10	1	tube
8	2.6839.069.0	2	clamp 40/20
9	2.6851.005.0	1	clamp Ø 40/60
10	2.6851.004.0	1	clamp Ø 32/50
11	2.1310.004.2	2	flat washer 8.4x17



K9\_U1581\_10\_0-A-001

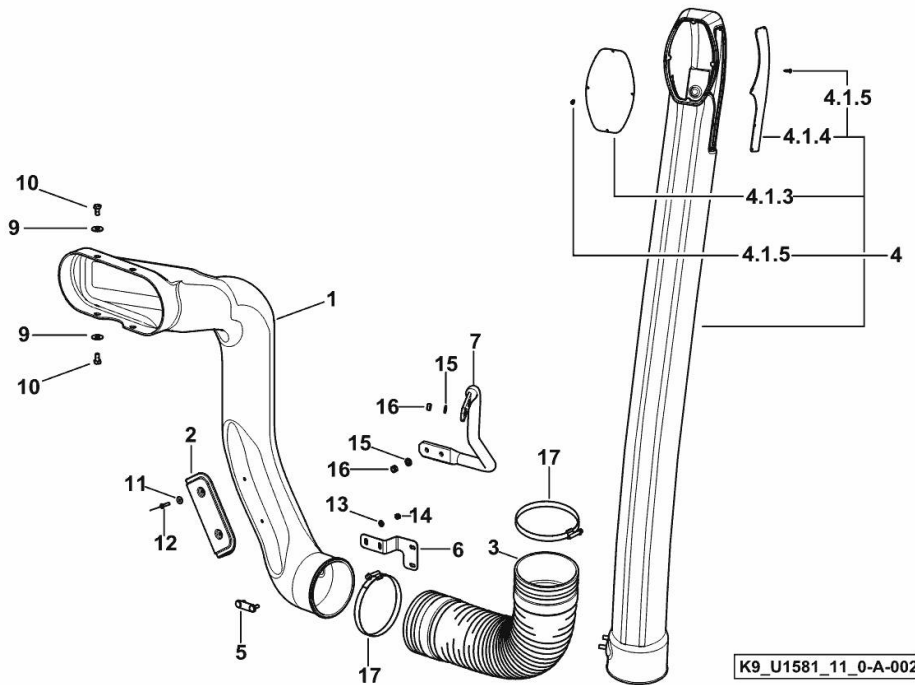
**ENGINE AIR INTAKE PIPE**

Fig.	P/n	QTY	Name
------	-----	-----	------

**Notes:**

[FORTIS 160 ->WSXAS40200LS50010]

1	0.018.1449.0/30	1	sleeve
2	0.018.1794.0	1	shield
3	0.015.7527.0	1	tube
4	04431291.4	1	tube
4.1.3	04434787	1	plate
4.1.4	04434788	1	plate
4.1.5	04423627	13	stop
5	0.017.8380.3	1	small plate
6	0.017.8369.0/20	1	bracket
7	04453928	1	support
9	2.1312.004.2	4	washer 8x24x2
10	2.0112.205.2	4	screw m 8 p.1.25 x 16
11	2.1312.002.2	2	washer 5
12	2.1851.005.0	2	rivet 4.8
13	2.1310.002.2	2	flat washer 6.4x12.5
14	2.1011.103.2	2	nut m 6 p.1
15	2.1310.004.2	4	flat washer 8.4x17
16	2.1011.105.2	4	nut m 8 p.1.25
17	2.6851.013.0	2	clamp 120-140



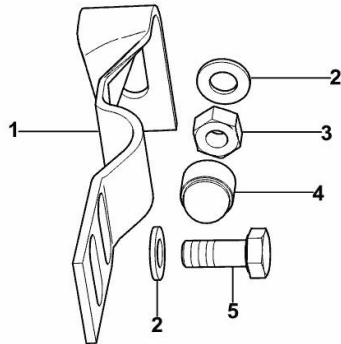
**ENGINE AIR INTAKE PIPE BRACKET**

Fig.	P/n	QTY	Name
------	-----	-----	------

**Notes:**

[FORTIS 160 ->WSXAS40200LS50010]

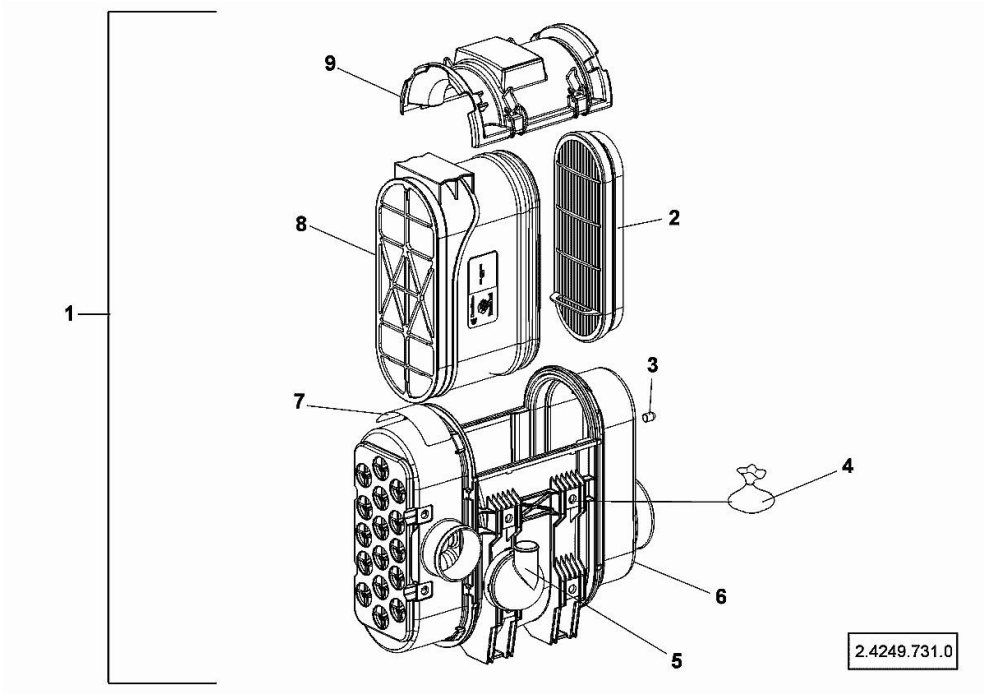
1	04413465	1	bracket
2	2.1310.004.2	2	flat washer 8.4x17
3	2.1011.105.2	1	nut m 8 p.1.25
4	01174042	1	cap
5	2.0114.207.2	1	screw m 8 p.1.25 x 20



K9\_U1581\_12\_0-A-001

**AIR FILTER 9"**

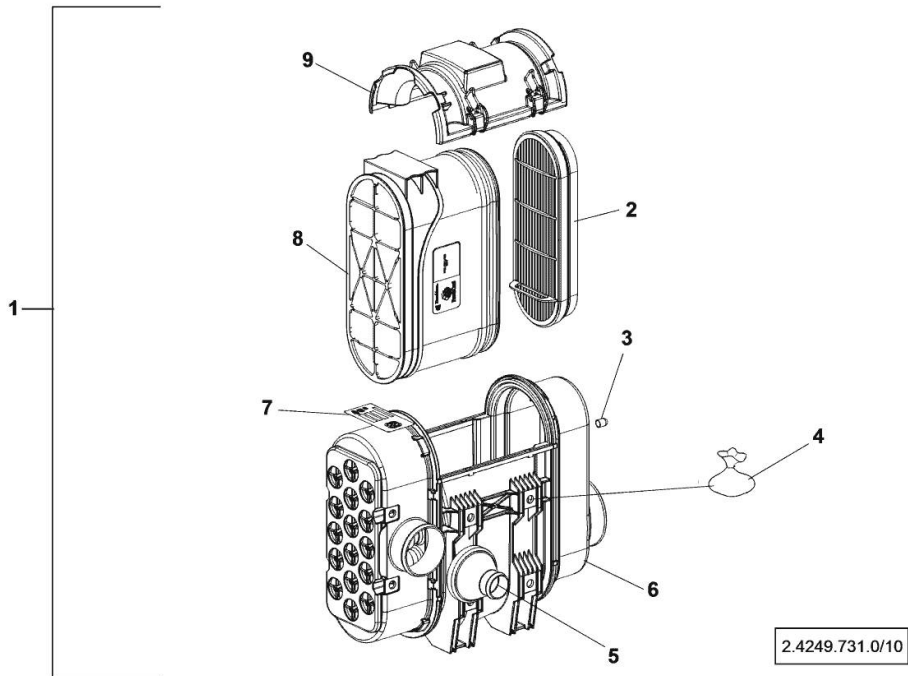
Fig.	P/n	QTY	Name
1	2.4249.731.0	1	air filter
2	0.900.0272.1	1	internal air filter element
3	0.900.1456.7	1	cap
4	0.900.1982.0	1	accessories U-CLIP BAG
5	0.900.1633.6	1	exhaust valve
6	0.000.0000.1		cannot be supplied
7	0.900.1982.1	1	plate
8	0.900.1982.2	1	filter
9	0.900.1409.6	1	cover





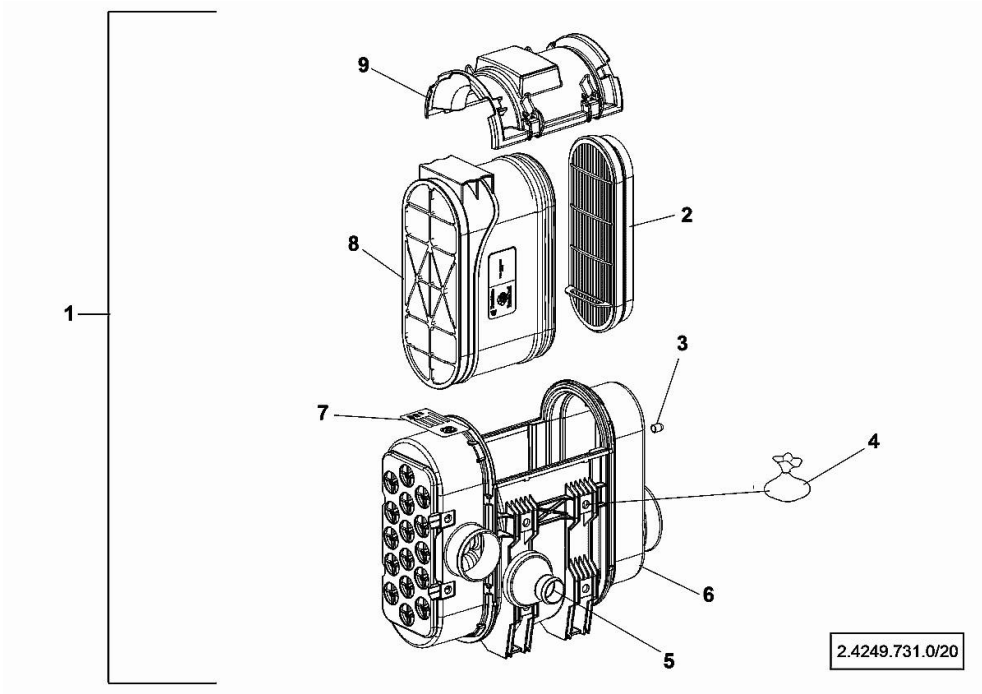
**AIR FILTER 9"**

Fig.	P/n	QTY	Name
1	2.4249.731.0/10	1	air filter
2	0.900.0272.1	1	internal air filter element
3	0.900.1456.7	1	cap
4	0.900.1982.3	1	accessories U-CLIP BAG
5	0.900.1982.4	1	exhaust valve
6	0.000.0000.1		cannot be supplied
7	0.900.1982.5	1	plate
8	0.900.1982.2	1	filter
9	0.900.1409.6	1	cover



**AIR FILTER 9"**

Fig.	P/n	QTY	Name
1	2.4249.731.0/20	1	air filter
2	0.900.0272.1	1	internal air filter element
3	0.900.1456.7	1	cap
4	0.900.2064.4	1	accessories U-CLIP BAG
5	0.900.1982.4	1	exhaust valve
6	0.000.0000.1		cannot be supplied
7	0.000.0000.1		cannot be supplied
8	0.900.1982.2	1	filter
9	0.900.1409.6	1	cover

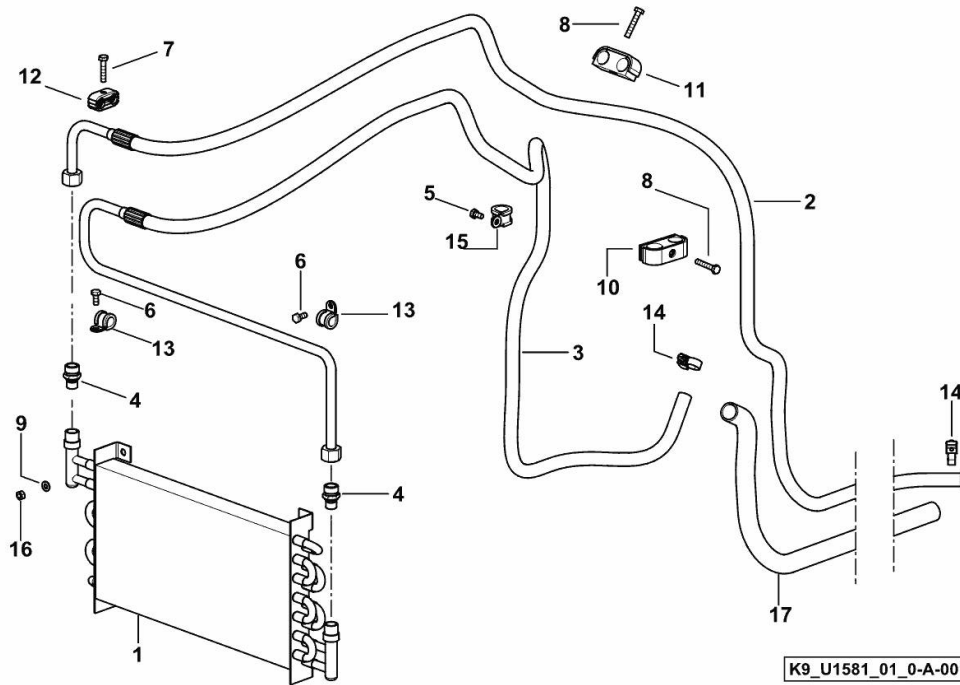


**FUEL COOLER**

Fig.	P/n	QTY	Name
------	-----	-----	------

**Notes:**

[FORTIS 160 ->WSXAS40200LS50010]



1	0.018.8033.4	1	radiator
2	0.019.0278.3	1	tube
3	0.019.0279.3	1	tube
4	04453868	2	pipe fitting m 14 p.1.5
5	2.0112.003.2	1	screw m 6 p.1 x 12
6	2.0112.004.2	2	screw m 6 p.1 x 14
7	2.0112.011.2	1	screw m 6 p.1x30
8	2.0112.013.2	2	screw m 6 p.1 x 35
9	2.1310.002.2	4	flat washer 6.4x12.5
10	2.3320.220.0	1	terminal Ø 18/20 - typ A
11	2.3320.319.0	1	terminal
12	2.3321.010.0	1	collar Ø 12/12
13	2.6839.059.0	2	clamp Ø 12 / 15
14	2.6851.019.0	2	clamp Ø 13/20
15	2.6839.053.0	1	clamp Ø 17/15
16	2.1011.103.2	4	nut m 6 p.1
17	0.016.7110.0	1	sheath mm 2317

**FUEL FEED PIPES AND PREFILTER**

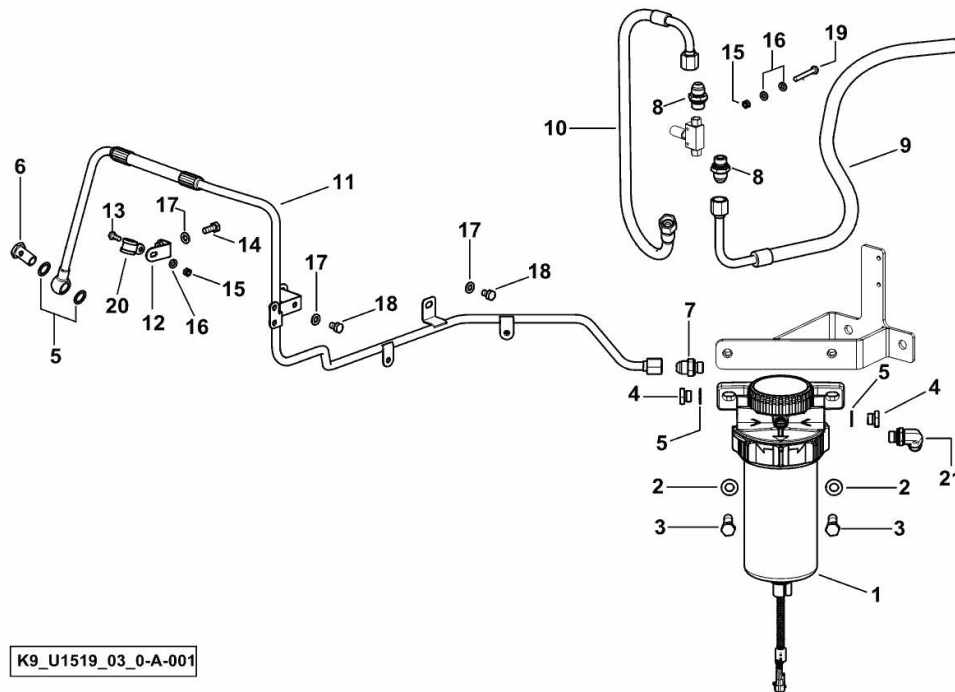


Fig.	P/n	QTY	Name
------	-----	-----	------

Notes:

[FORTIS 160 ->WSXAS40200LS50010]

1	2.4319.300.0/20	1	precleaner ☞ 2.4319.300.0/20
2	2.1310.007.2	2	flat washer 13 x 24
3	2.0114.415.2	2	screw m 12 p.1.75 x 40
4	2.3110.404.2	2	plug m 16 p.1.5
5	2.1560.012.0	4	gasket 16.2 x 22
6	2.3335.007.2	1	pipe union m 16 p.1.5x28
7	2.3249.227.2	1	pipe fitting m 16 p.1.5-3/4"
8	2.3249.138.2	2	pipe fitting m 18 - 3/4" JIC
9	0.015.9527.3/10	1	pipng
10	0.015.9526.3	1	pipng
11	0.018.9697.3/10	1	tube
12	0.017.5170.3	1	bracket
13	2.0112.005.2	1	screw m 6 p.1 x 16
14	2.0112.207.2	1	screw m 8 p 1.25 x 20
15	2.1011.103.2	3	nut m 6 p.1
16	2.1310.002.2	5	flat washer 6.4x12.5
17	2.1310.004.2	3	flat washer 8.4x17
18	2.0112.203.2	2	screw m 8 p.1.25 x 12
19	2.0112.017.2	2	screw m 6 p.1x45
20	2.6839.059.0	1	clamp Ø 12 / 15
21	2.3249.101.2	1	pipe fitting m 16 p1.5

K9\_U1519\_03\_0-A-001

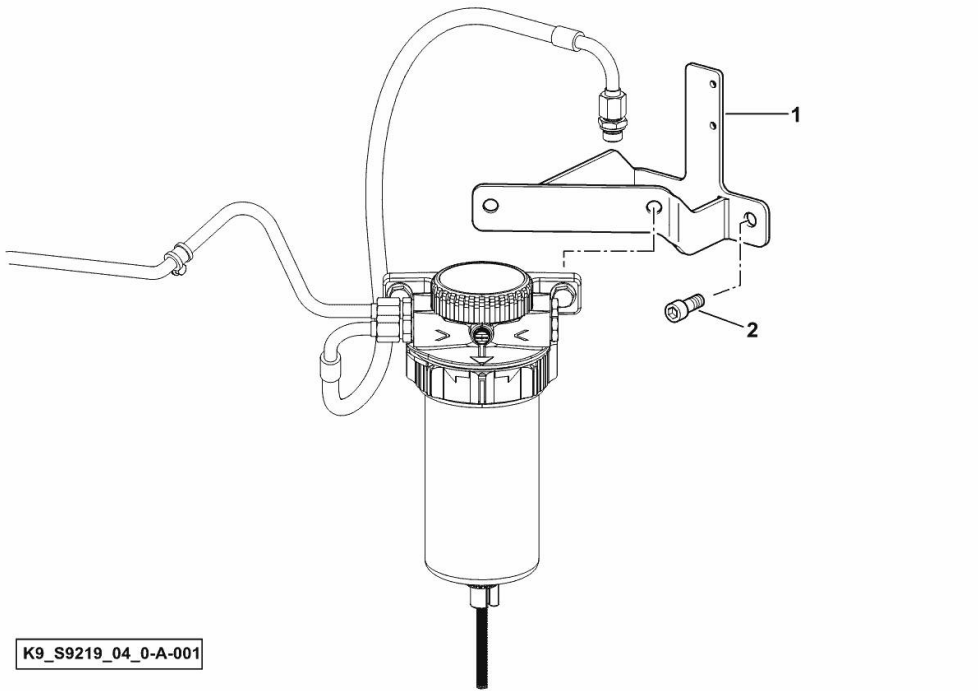
**FUEL PRE-FILTER SUPPORT**

Fig.	P/n	QTY	Name
------	-----	-----	------

**Notes:**

[FORTIS 160 ->WSXAS40200LS50010]

1	0.017.6497.3/20	1	support
2	2.0312.410.2	2	screw m 12 p.1.75 x 30



K9\_S9219\_04\_0-A-001

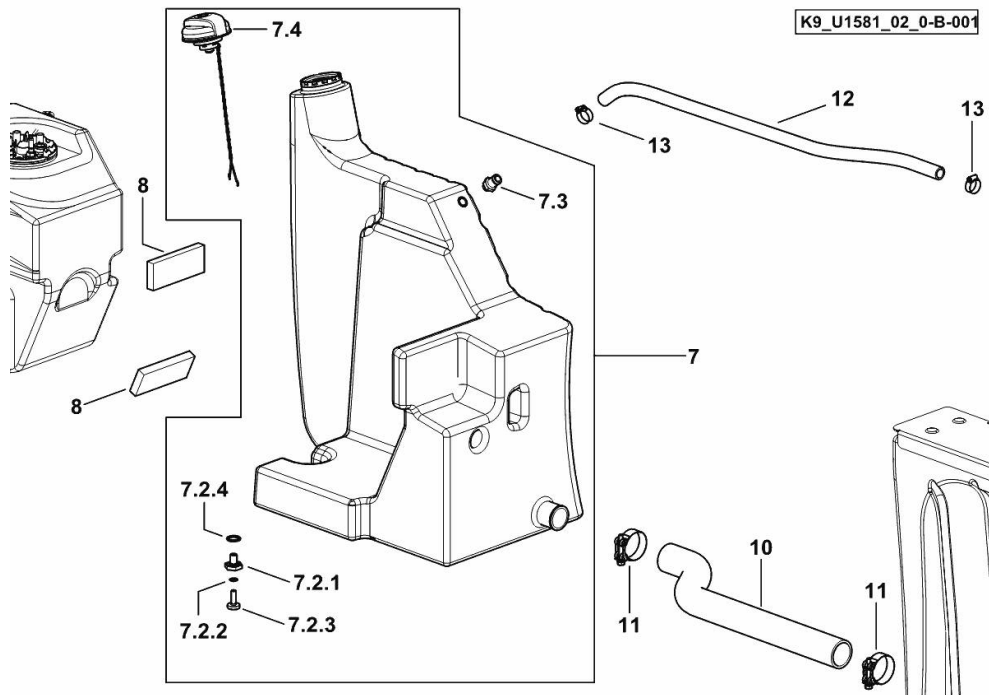
**FUEL TANK DX/RH/RE**

Fig.	P/n	QTY	Name
------	-----	-----	------

**Notes:**

[FORTIS 160 ->WSXAS40200LS50010]

7	0.018.2154.4/50	1	fuel tank dx/rh/re
7.2.1	0.016.9607.0	1	plug m10
7.2.2	2.1560.006.0	1	gasket 10.2 x 16
7.2.3	0.016.9605.0	1	plug m14
7.2.4	2.1539.040.0	1	special oil seal 21.82 x 3.53
7.3	2.3249.245.0	1	pipe fitting Ø 12 / 3/8" GAS
7.4	0.019.6285.4	1	plug ( -> 50010 )
8	0.015.7103.0	2	gasket 60x150x18
10	0.018.3886.0/10	1	tube
11	2.6859.155.0	2	clamp Ø 59/63
12	0.019.9244.0	1	tube
13	01173962	2	clamp Ø 20/32

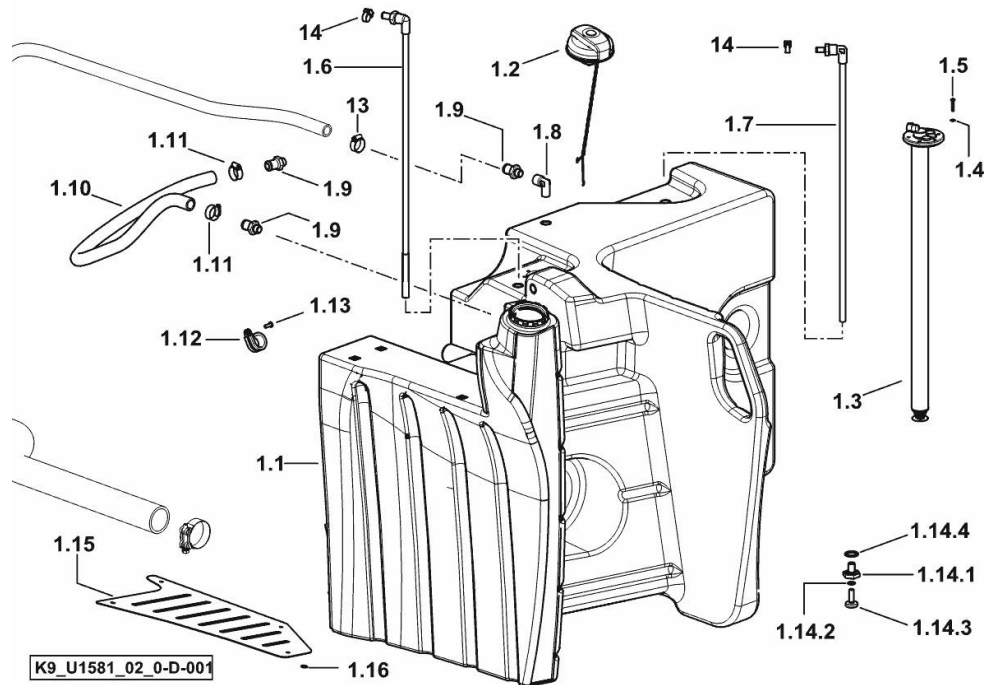


**FUEL TANK SX/LH/LI**

Fig.	P/n	QTY	Name
------	-----	-----	------

**Notes:**

[FORTIS 160 ->WSXAS40200LS50010]



1.1	0.018.6779.3/40	1	fuel tank sx/lh/li
1.2	0.019.6285.4	1	plug (-> 50010)
1.3	2.7059.016.0	1	float
1.4	2.1310.028.2	6	flat washer
1.5	2.0332.208.2	6	screw m4x25
1.6	0.016.7111.3/20	1	tube
1.7	0.016.7518.3/10	1	tube
1.8	2.3249.224.0	1	pipe fitting Ø 22 / 3/8" GAS
1.9	2.3249.245.0	3	pipe fitting Ø 12 / 3/8" GAS
1.10	0.018.8394.0/10	1	tube
1.11	01173962	2	clamp Ø 20/32
1.12	2.6839.068.0	1	clamp Ø 27
1.13	2.0332.406.2	5	screw m 6 p.1.0 x 16
1.14.1	0.016.9607.0	1	plug m10
1.14.2	2.1560.006.0	1	gasket 10.2 x 16
1.14.3	0.016.9605.0	1	plug m14
1.14.4	2.1539.040.0	1	special oil seal 21.82 x 3.53
1.15	0.018.7319.0/20	1	guard
1.16	2.1310.002.2	4	flat washer 6.4x12.5
13	01173962	2	clamp Ø 20/32
14	2.6851.019.0	2	clamp Ø 13/20

K9\_U1581\_02\_0-D-001

Thank you so much for reading.  
Please click the “Buy Now!”  
button below to download the  
complete manual.



After you pay.

You can download the most  
perfect and complete manual in  
the world immediately.

Our support email:

[ebooklibonline@outlook.com](mailto:ebooklibonline@outlook.com)