

**KURBELGEHAEUSE**

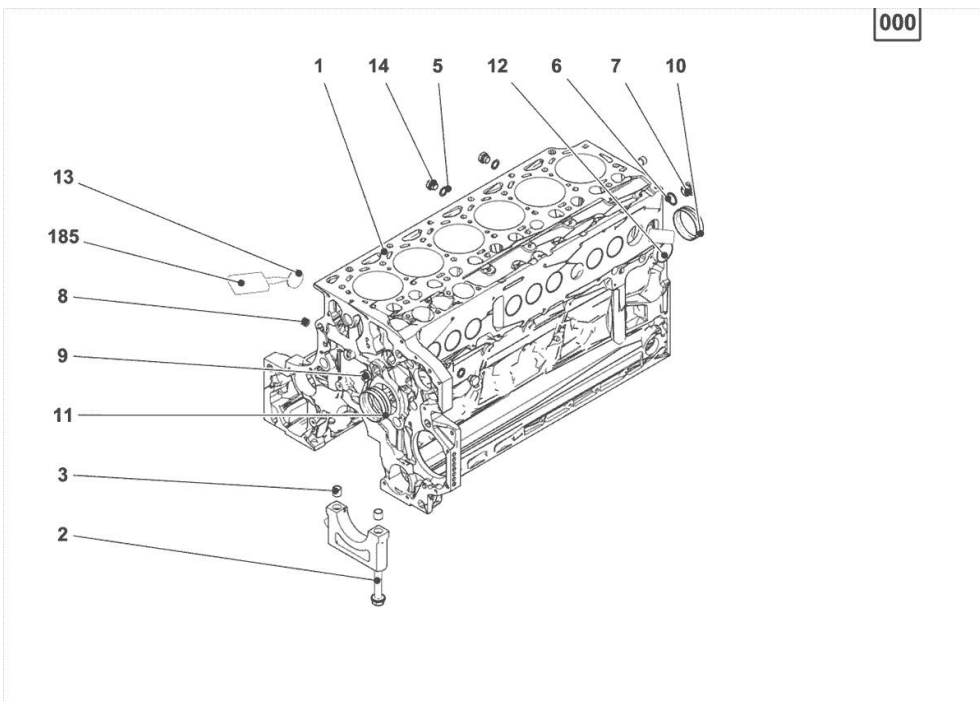
Fig.	P/n	QTY	Name
------	-----	-----	------

**Notes:**

[Fortis 160 -&gt;WSXU200200LS50010]

**Engine serial number:**

11240969 11252850 11252851 11252852 11283794 11283795 11283796 11292073 11292074 22000431



1	04600334	1	crankcase MIT POS.... (2,3,5-14)
2	04254240	14	screw 50 Nm , 90° , 90°
3	04160764	14	bushing
5	01148836	2	oil seal DIN 7603 -D14X20-CU-VERZINNT
6	01148863	1	rubber plug DIN 7603 -D22X27-CU-VERZINNT
7	04292706	1	plug 80 Nm
8	01182031	2	screw 35 Nm H 2812 -906-M14X1,5-ST-A3C-LOCTITE506
9	04226536	1	bottom 30 Nm
10	04507244	6	bushing
11	04507765	1	bushing
12	01148032	9	cover DIN 443 -A45-ZNPHR
13	01148031	6	plug DIN 443 -A36-ZNPHR
14	01100940	2	screw 35 Nm DIN 7604 -AM14X1,5-ST-A4C
185	01319910	1	guard

**ACCESSORIES**

Fig.	P/n	QTY	Name
------	-----	-----	------

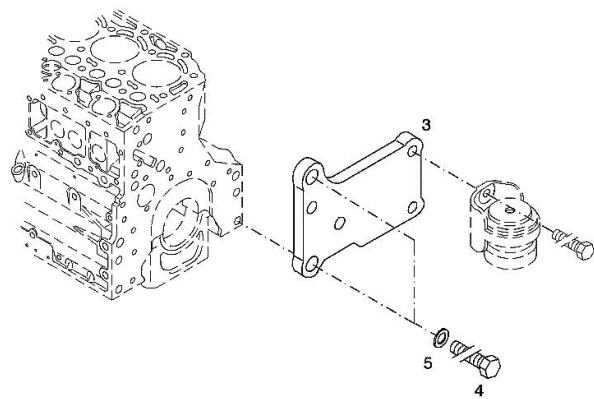
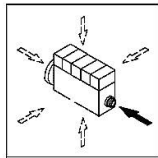
**Notes:**

[Fortis 160 ->WSXU200200LS50010]

**Engine serial number:**

11283794 11283795 11283796 11292073 11292074

3	04288659	1	support
4	01148261	2	screw ISO 4017 -M16X40-10.9-ZNAL-A
5	01181400	2	washer H 2308 -18X25X1,5-A4C



**OIL FILLER NECK**

Fig.	P/n	QTY	Name
------	-----	-----	------

**Notes:**

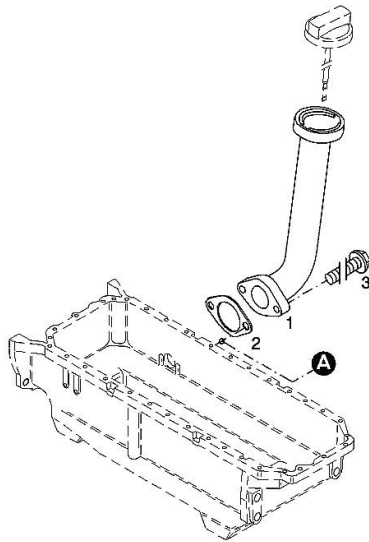
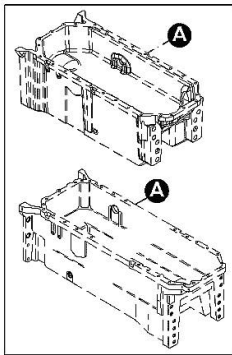
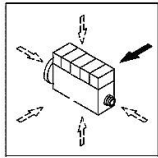
[Fortis 160 ->WSXU200200LS50010]

**Engine serial number:**

22000041

1	04207099	1	tube
2	01178421	1	gasket DIN 71511 -35X58X1,5-DEUTZFW31
3	01181433	2	screw 30 Nm EN 1662 -F-M8X20-LG2,5-10.9-ZNAL-A

001 ©



**ACCESSORIES**

Fig.	P/n	QTY	Name
------	-----	-----	------

**Notes:**

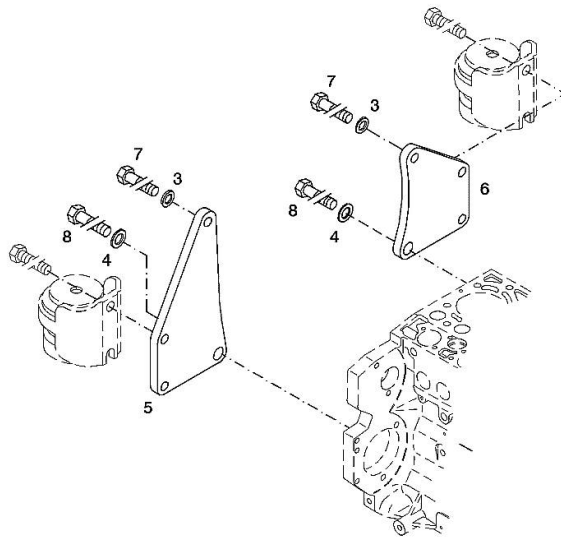
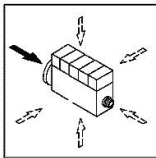
[Fortis 160 ->WSXU200200LS50010]

**Engine serial number:**

11240969 11252850 11252851 11252852 11283794 11283795 11283796 11292073 11292074 22000041 22000183  
22000184 22000431

003 ©

3	01182016	2	disc H 2308 -13X24X3-ZNAL-A
4	01181400	2	washer H 2308 -18X25X1,5-A4C
5	04206926	1	plate dx/rh/re
6	04206927	1	plate sx/lh/li
7	01148137	2	screw - UP TO MONTH OF ASSEMBLY ( A ) - FROM MONTH OF ASSEMBLY SEE POS. ( B ) A = 06.2009 B = POS. 950 DIN 931 -M12X75-10.9-ZNAL-A
8	01148037	2	screw UP TO MONTH OF ASSEMBLY ( A ) - FROM MONTH OF ASSEMBLY SEE POS. ( B ) A = 06.2009 B = POS. 951 ISO 4014 -M16X75-10.9-OELGESCHW
950	01149017	2	screw - FROM MONTH OF ASSEMBLY SEE POS. ( B ) - UP TO MONTH OF ASSEMBLY (A) FROM MONTH OF ASSEMBLY A = 07.2009 B = 7 DIN 34800 -BM12X75-10.9-ZNAL-A
951	01180235	2	screw - FROM MONTH OF ASSEMBLY SEE POS. ( B ) - UP TO MONTH OF ASSEMBLY ( A ) FROM MONTH OF ASSEMBLY A = 07.2009 B= Pos.8 H 2032 -HBM16X75-10.9-GESCHW



**KURBELGEHAEUSE**

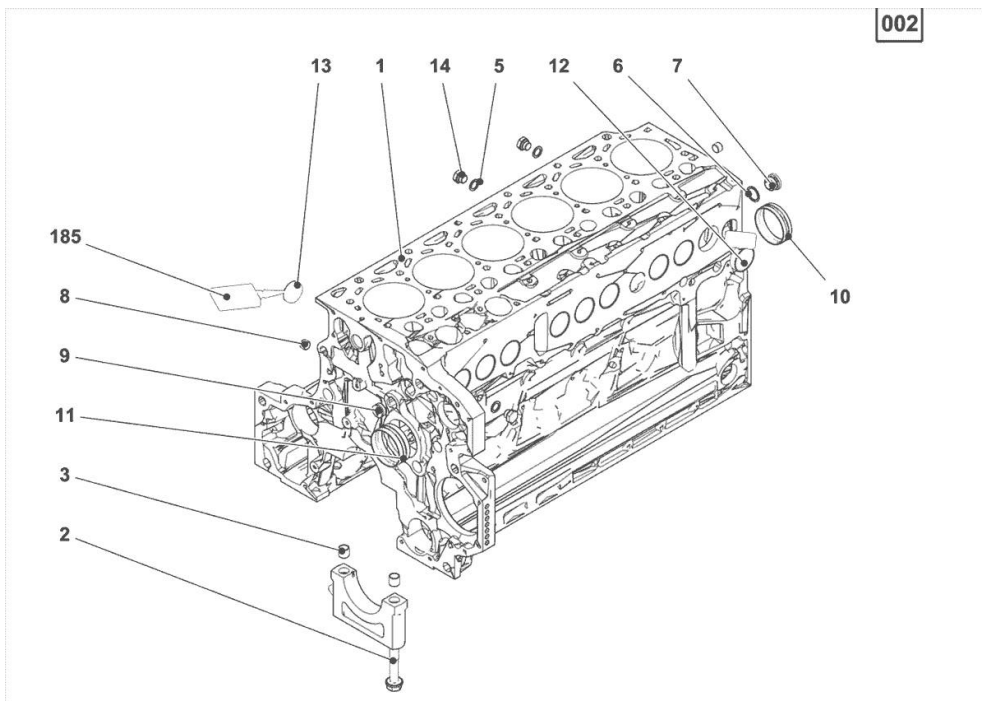
Fig.	P/n	QTY	Name
------	-----	-----	------

**Notes:**

[Fortis 160 -&gt;WSXU200200LS50010]

**Engine serial number:**

22000041 22000183 22000184



185	01319910	1	guard
1	04505233	1	crankcase MIT POS.... (2,3,5-14)
2	04254240	14	screw 50 Nm , 90° , 90°
3	04160764	14	bushing
5	01148836	2	oil seal DIN 7603 -D14X20-CU-VERZINNT
6	01148863	1	rubber plug DIN 7603 -D22X27-CU-VERZINNT
7	04292706	1	plug 80 Nm
8	01182031	2	screw 35 Nm H 2812 -906-M14X1,5-ST-A3C-LOCTITE506
9	04226536	1	bottom 30 Nm
10	04251884	6	plug
11	04507765	1	bushing
12	01148032	9	cover DIN 443 -A45-ZNPHR
13	01148031	6	plug DIN 443 -A36-ZNPHR
14	01100940	2	screw 35 Nm DIN 7604 -AM14X1,5-ST-A4C

**ACCESSORIES**

Fig.	P/n	QTY	Name
------	-----	-----	------

**Notes:**

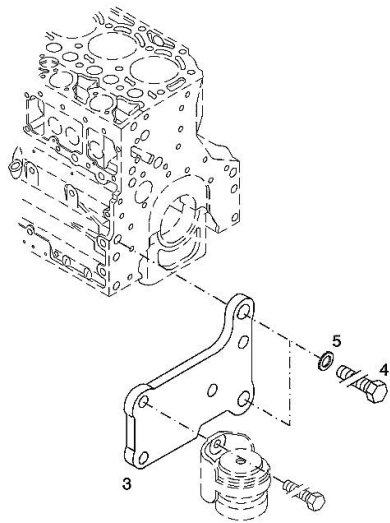
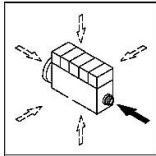
[Fortis 160 ->WSXU200200LS50010]

**Engine serial number:**

11283794 11283795 11283796 11292073 11292074

3	04288660	1	support
4	01148261	2	screw ISO 4017 -M16X40-10.9-ZNAL-A
5	01181400	2	washer H 2308 -18X25X1,5-A4C

003 ©



**OIL FILLER NECK**

Fig.	P/n	QTY	Name
------	-----	-----	------

**Notes:**

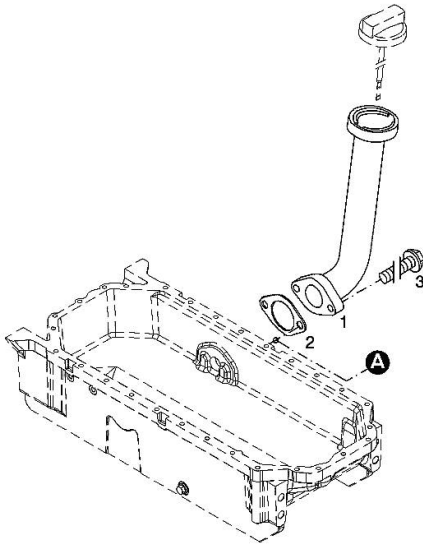
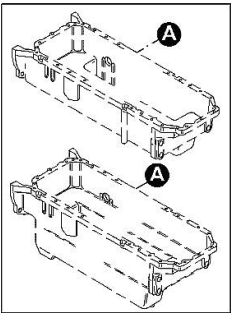
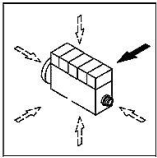
[Fortis 160 ->WSXU200200LS50010]

**Engine serial number:**

11240969 11252850 11252851 11252852 11283794 11283795 11283796 11292073 11292074 22000183 22000184  
22000431

1	04207099	1	tube
2	01178421	1	gasket
3	01181433	2	screw
			30 Nm

001 ©



**PLUG**

Fig.	P/n	QTY	Name
------	-----	-----	------

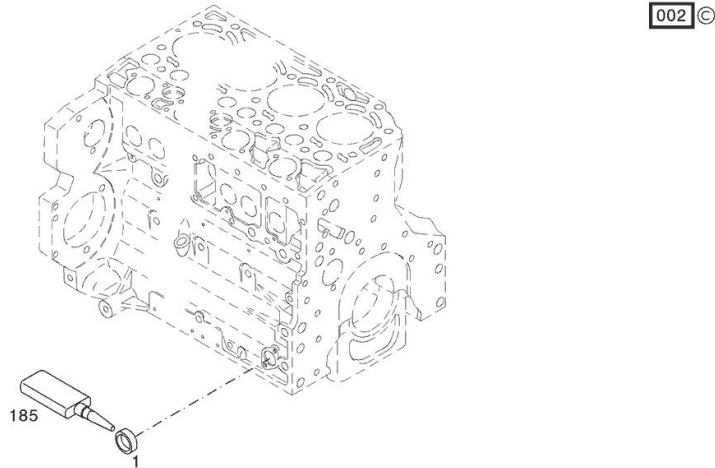
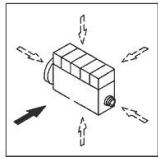
**Notes:**

[Fortis 160 ->WSXU200200LS50010]

**Engine serial number:**

11240969 11252850 11252851 11252852 11283794 11283795 11283796 11292073 11292074 22000041 22000183  
22000184 22000431

1	01148031	1	plug DIN 443 -A36-ZNPHR
185	01319911	1	sealing compound ml. 50





**FILLER CAP**

Fig.	P/n	QTY	Name
------	-----	-----	------

**Notes:**

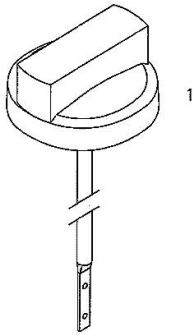
[Fortis 160 ->WSXU200200LS50010]

**Engine serial number:**

11240969 11252850 11252851 11252852 11283794 11283795 11283796 11292073 11292074 22000041 22000183  
22000184 22000431

1	01180341	1	plug H 2875 -B2-OL40-166X4X145X15
---	----------	---	--------------------------------------

000



**PISTON COOL.NOZZLE**

Fig.	P/n	QTY	Name
------	-----	-----	------

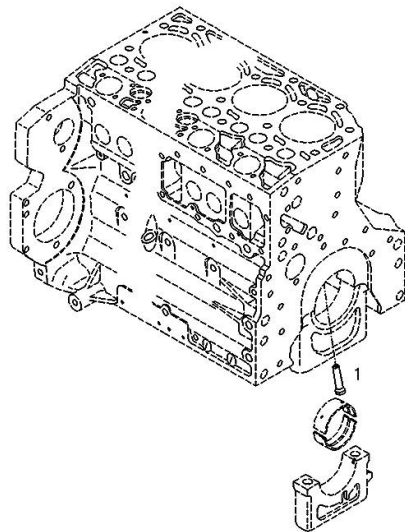
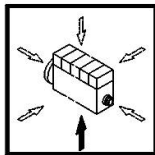
**Notes:**

[Fortis 160 ->WSXU200200LS50010]

**Engine serial number:**

11240969 11252850 11252851 11252852 11283794 11283795 11283796 11292073 11292074 22000041 22000183  
22000184 22000431

1	04207521	6	sprayers
---	----------	---	----------



001 ©

0507 0470

**FLANGE**

Fig.	P/n	QTY	Name
------	-----	-----	------

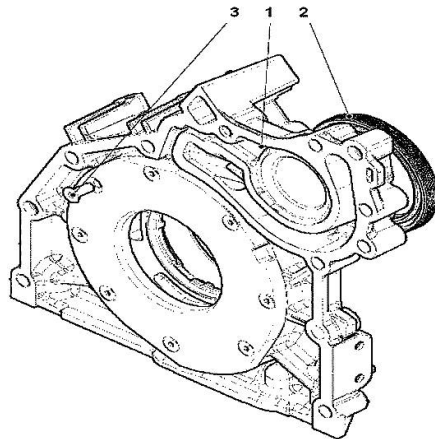
**Notes:**

[Fortis 160 ->WSXU200200LS50010]

**Engine serial number:**

11240969 11252850 11252851 11252852 11283794 11283795 11283796 11292073 11292074 22000041 22000183  
22000184 22000431

1	04502445	1	oil pump WITH POS.... (2,3)
2	04502202	1	special oil seal
3	01133718	8	screw 8.5 Nm DIN 7991 -M6X16-8.8-A4C



000

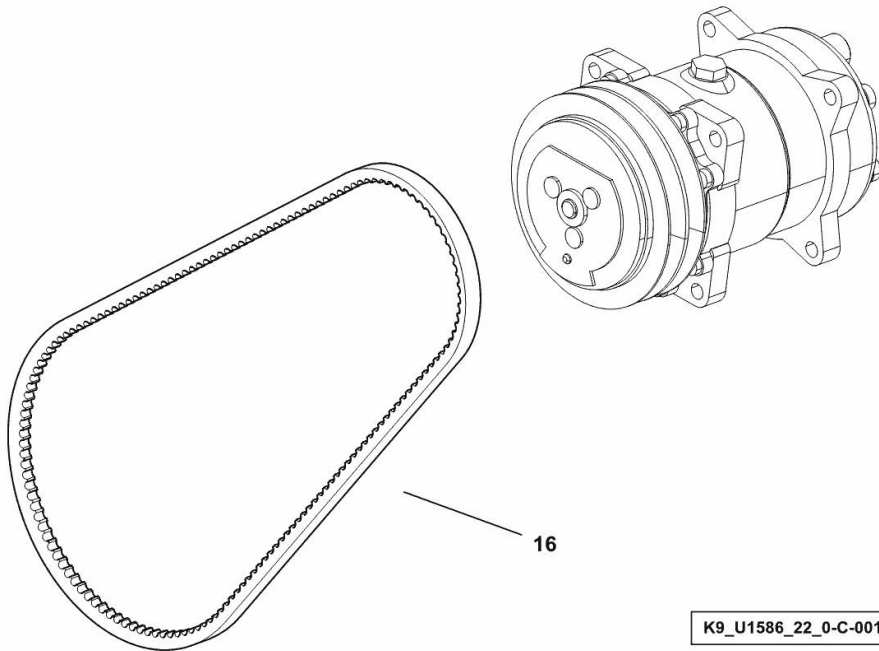
**V-BELT - FOR TRACTORS WITH AIR CONDITIONING**

Fig.	P/n	QTY	Name
------	-----	-----	------

**Notes:**

[Fortis 160 ->WSXU200200LS50010]

16	2.4119.202.0	1	belt AV 12.7x1130 mm
----	--------------	---	----------------------



**FASTENINGS**

Fig.	P/n	QTY	Name
------	-----	-----	------

**Notes:**

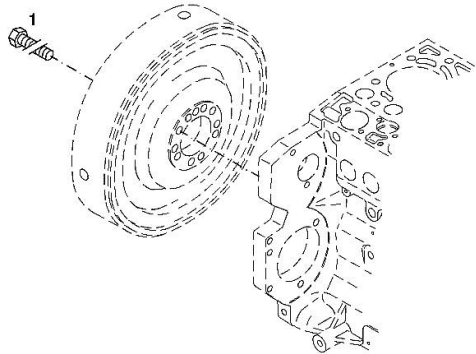
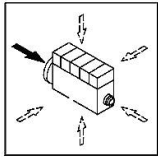
[Fortis 160 ->WSXU200200LS50010]

**Engine serial number:**

11240969 11252850 11252851 11252852 11283794 11283795 11283796 11292073 11292074 22000041 22000183  
22000184 22000431

1	04204128	10	screw m 10 p.1x35 M10X1X35
---	----------	----	-------------------------------

001 ©



**KEILR.SCHEIBENANB.**

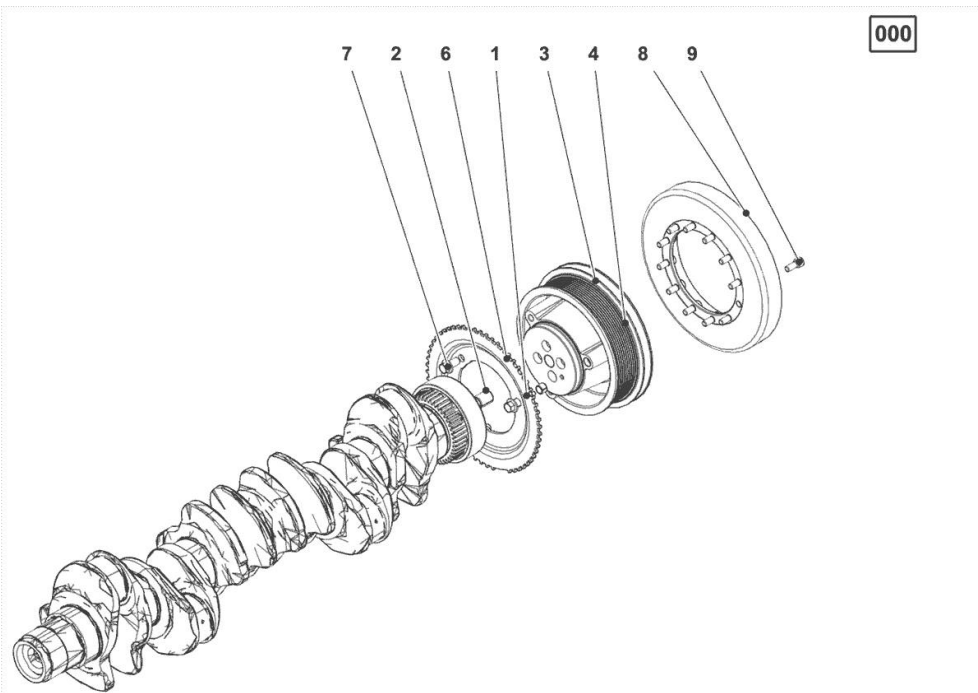
Fig.	P/n	QTY	Name
------	-----	-----	------

**Notes:**

[Fortis 160 -&gt;WSXU200200LS50010]

**Engine serial number:**

11240969 11252850 11252851 11252852 11283794 11283795 11283796 11292073 11292074 22000041 22000183  
22000184 22000431



1	01125637	1	pin ISO 8752 -5X14-ST
2	01181404	1	bush H 2341 -B18X24-FE/ZN12C*
3	04503730	1	pulley
4	04253406	4	screw 40 Nm / 60° / 60°
5	01174180	1	bush H 2341 -B13X10
6	04284734	1	lock washer
7	01181393	3	screw 60 Nm EN 1662 -F-M10X20-10.9-A4C
8	04220028	1	antivibration pulley
9	01110560	12	screw 30 Nm ISO 4762 -M8X20-10.9-OELGESCHW.

**CRANKSHAFT**

Fig.	P/n	QTY	Name
------	-----	-----	------

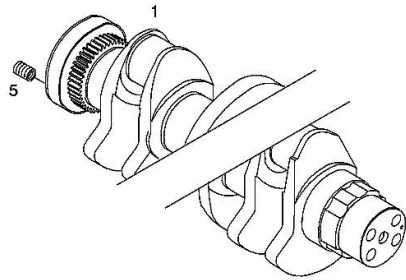
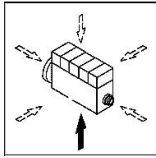
**Notes:**

[Fortis 160 ->WSXU200200LS50010]

**Engine serial number:**

11240969 11252850 11252851 11252852 11283794 11283795 11283796 11292073 11292074 22000041 22000183  
22000184 22000431

1	04502707	1	crankshaft
5	01172066	10	insert H 2358 -AM10X1X20



Thank you so much for reading.  
Please click the “Buy Now!”  
button below to download the  
complete manual.



After you pay.

You can download the most  
perfect and complete manual in  
the world immediately.

Our support email:

[ebooklibonline@outlook.com](mailto:ebooklibonline@outlook.com)