

**COUNTERWEIGHTS**

Fig.	P/n	QTY	Name
------	-----	-----	------

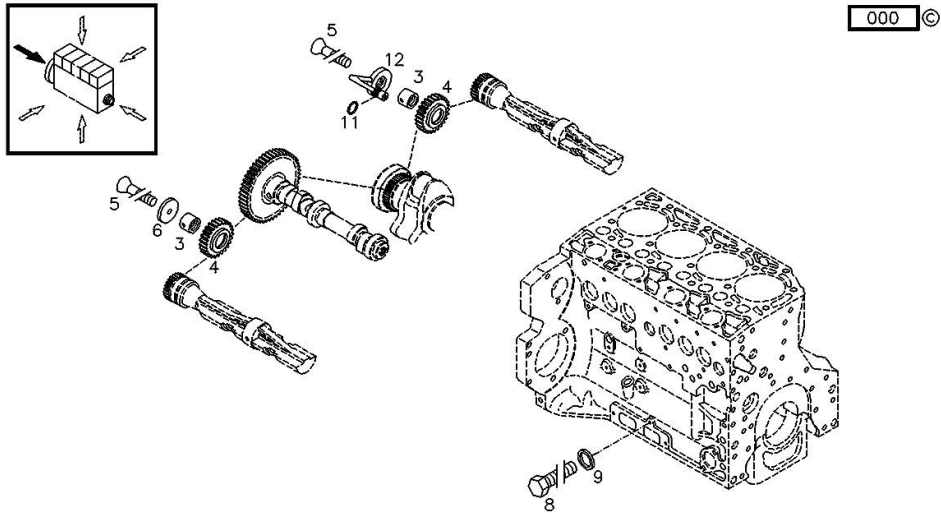
**Notes:**

[Fortis 160.4 -> WSXV400200LS50010]

**Engine serial number:**

22000399 22000509 22000510 22000511

3	04288828	2	journal
4	04294449	2	gear
5	01181673	2	screw
			H 2091 -7991-M8X45-10.9-GESCHW-MK-1.0
6	04255410	1	ring
8	01148220	2	valve
			ISO 4017 -M8X10-8.8-ZNAL-A
9	01118647	2	oil seal 8x11,5 d7603
			DIN 7603 -A8X11,5-CU
11	01181582	1	shoulder ring
			H 2927 -7X1,5-ACM-1-70
12	04255412	1	pin



ACCESSORIES

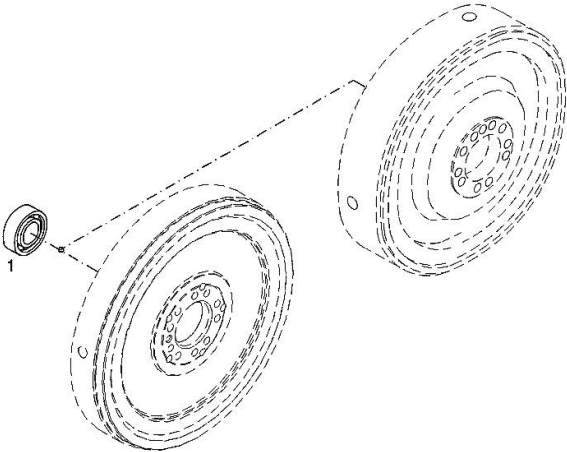
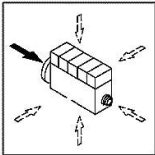
Fig.	P/n	QTY	Name
------	-----	-----	------

Notes:  
 [Fortis 160.4 -> WSXV400200LS50010]

Engine serial number:  
 22000399 22000509 22000510 22000511

1	01136432	1	ball bearing DIN 625 -6304-2RS1
---	----------	---	------------------------------------

001 ©



**MAIN BEARINGS**

Fig.	P/n	QTY	Name
------	-----	-----	------

**Notes:**

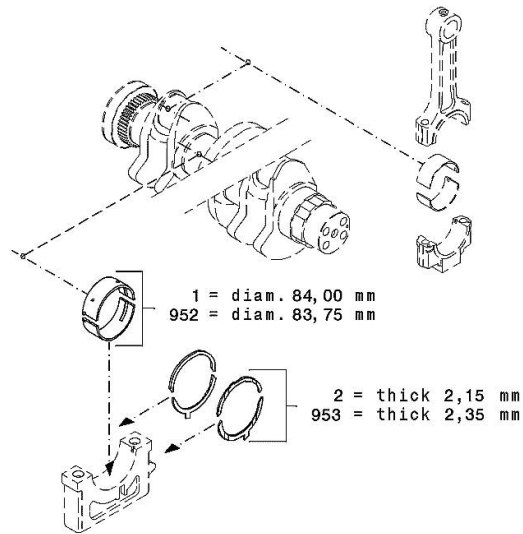
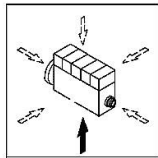
[Fortis 160.4 -> WSXV400200LS50010]

**Engine serial number:**

22000399 22000509 22000510 22000511

1	02931580	5	main bearing STANDARD STANDARD (A) MM RD, UNDERSIZE SEE POS. (B) A = 84.00 MM B = POS. 952
2	02931585	2	shoulder ring STANDARD STANDARD (A) MM, OVERSIZE SEE POS. (B) POS. (B) A = 2.15 MM B = Pos. 953
952	02931583	5	main bearing - mm 0.25 1st UNDERSIZE A = 83.75 MM
953	02931586	2	shoulder ring 1st OVERSIZE A = 2.35 MM

002 ©

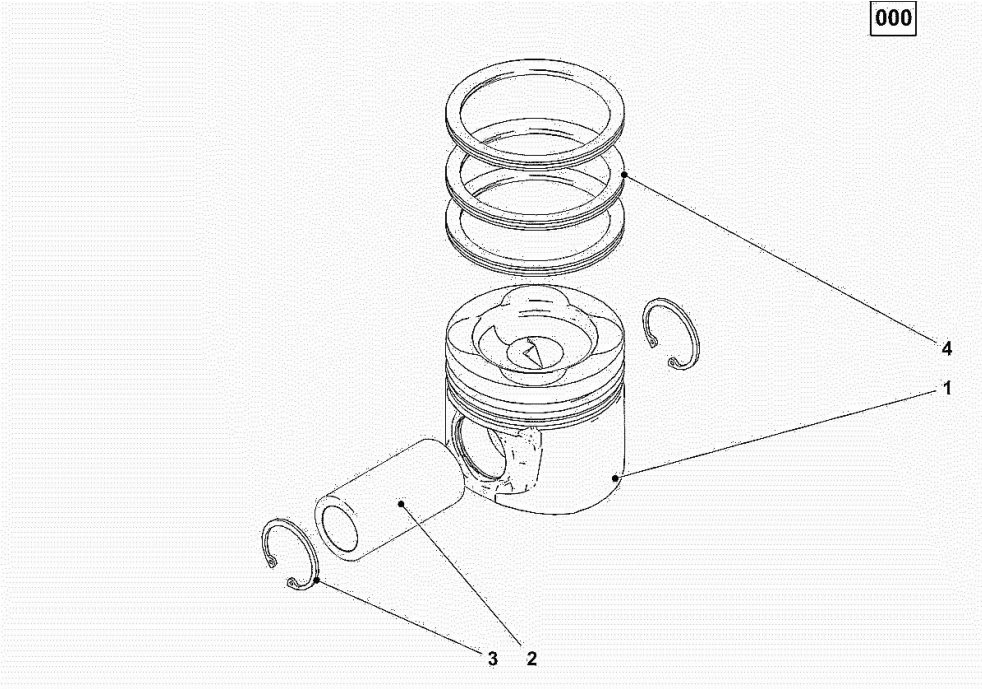


**PISTON**

Fig.	P/n	QTY	Name
------	-----	-----	------

**Notes:**  
 [Fortis 160.4 -> WSXV400200LS50010]

**Engine serial number:**  
 22000399 22000509 22000510 22000511



1	04507201	1	piston WITH POS.... (2-4)
2	00667126	1	piston pin
3	01148841	2	circlip DIN 472 -40X1,75*
4	04507203	1	piston ring set

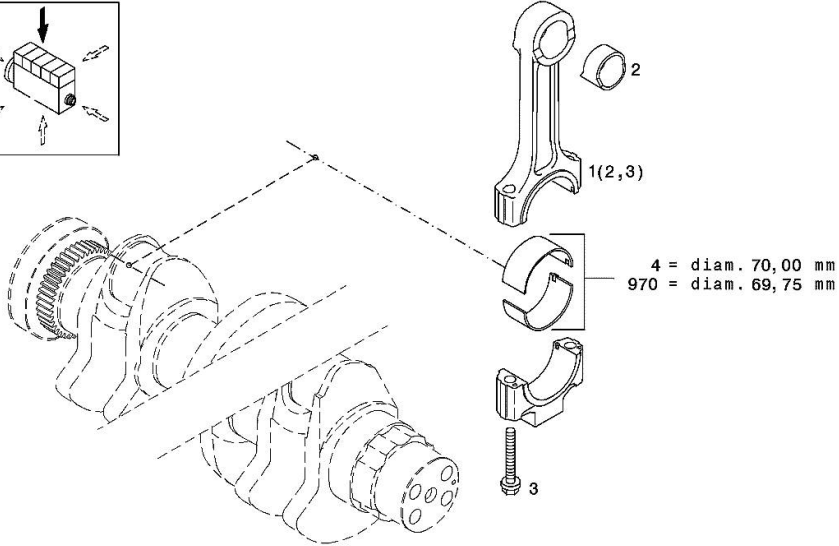
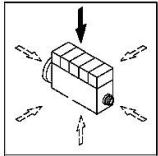
**CONNECTING ROD**

Fig.	P/n	QTY	Name
------	-----	-----	------

**Notes:**  
 [Fortis 160.4 -> WSXV400200LS50010]

**Engine serial number:**  
 22000399 22000509 22000510 22000511

1	04293425	1	connecting rod WITH POS.... (2,3)
2	04288314	1	bushing
3	04284184	2	screw 30 Nm , 60° , 60°
4	02931578	1	conrod bearing STANDARD NORMALE (A) MM RD, MINORAZIONE VEDERE POS. (B) A = 70.00 MM B = Pos.970
970	02931579	1	conrod bearing - mm 0.25 1st UNDERSIZE N A = 69.75 MM



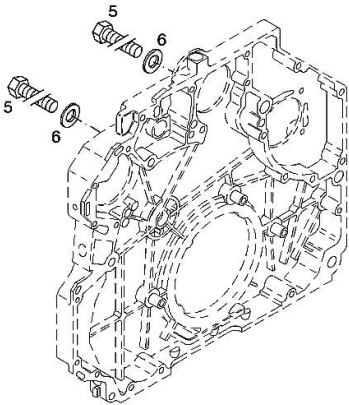
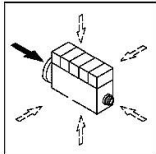
**FASTENINGS**

Fig.	P/n	QTY	Name
------	-----	-----	------

**Notes:**  
 [Fortis 160.4 -> WSXV400200LS50010]

**Engine serial number:**  
 22000399 22000509 22000510 22000511

5	01148131	2	screw 70 Nm ISO 4017 -M16X60-10.9-ZNAL-A
6	01107117	2	washer 17 DIN 125 -A17-140HV-A4C



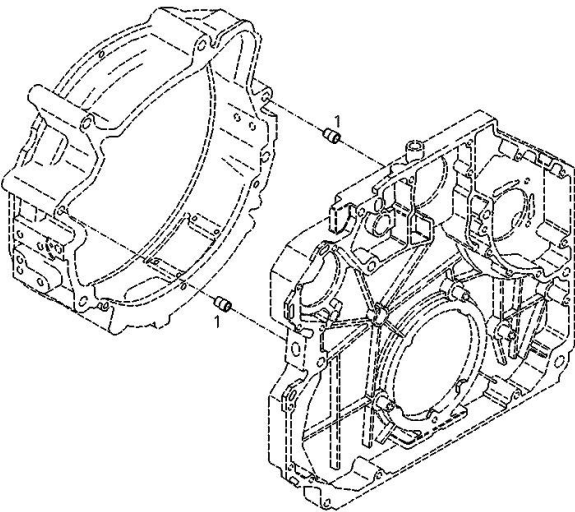
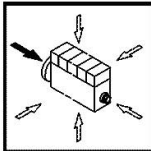
**BUSH**

Fig.	P/n	QTY	Name
------	-----	-----	------

**Notes:**  
 [Fortis 160.4 -> WSXV400200LS50010]

**Engine serial number:**  
 22000399 22000509 22000510 22000511

1	04282959	2	bush
---	----------	---	------



000 ©

0507 8284

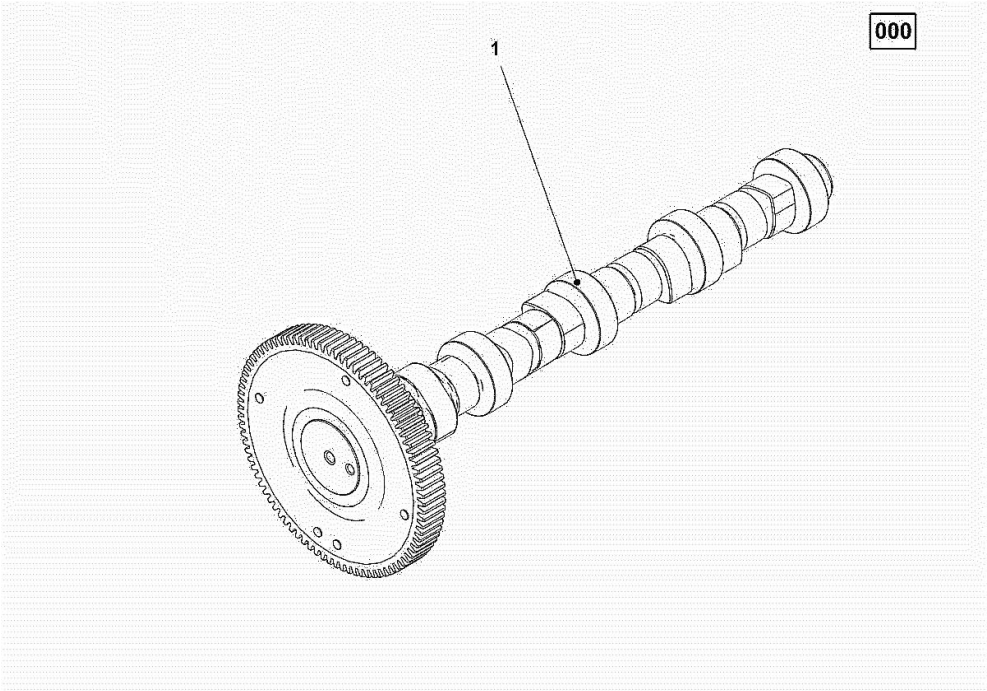
**CAMSHAFT**

Fig.	P/n	QTY	Name
------	-----	-----	------

**Notes:**  
[Fortis 160.4 -> WSXV400200LS50010]

**Engine serial number:**  
22000399 22000509 22000510 22000511

1	04506718	1	shaft
---	----------	---	-------



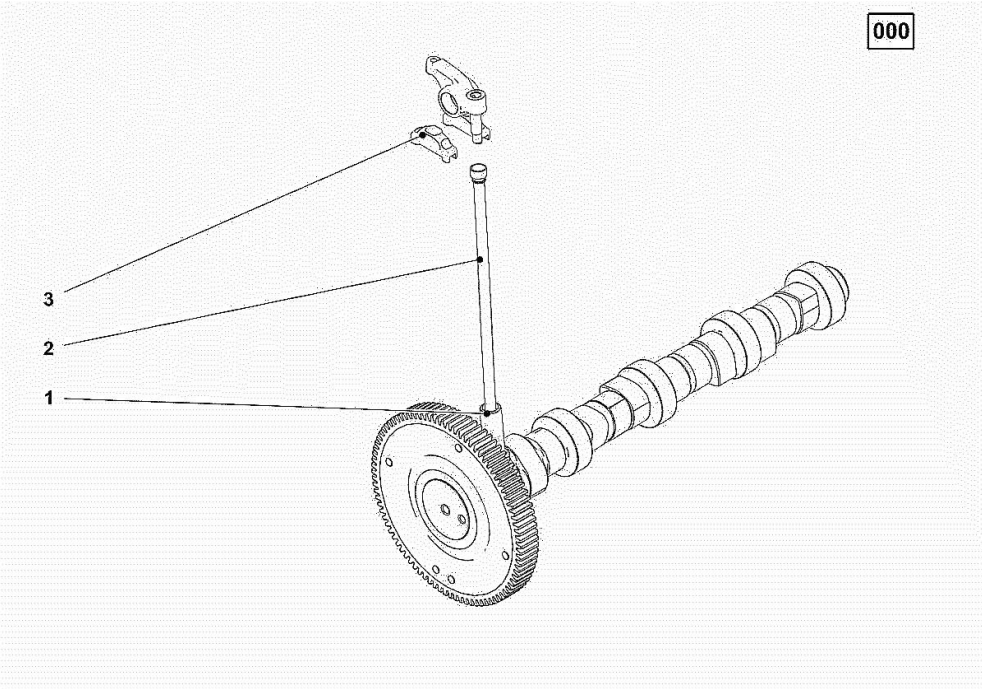


VALVE DRIVE

Fig.	P/n	QTY	Name
------	-----	-----	------

Notes:  
 [Fortis 160.4 -> WSXV400200LS50010]

Engine serial number:  
 22000399 22000509 22000510 22000511



1	04283150	8	cap
2	04501080	8	rod
3	04500016	8	rocker arm

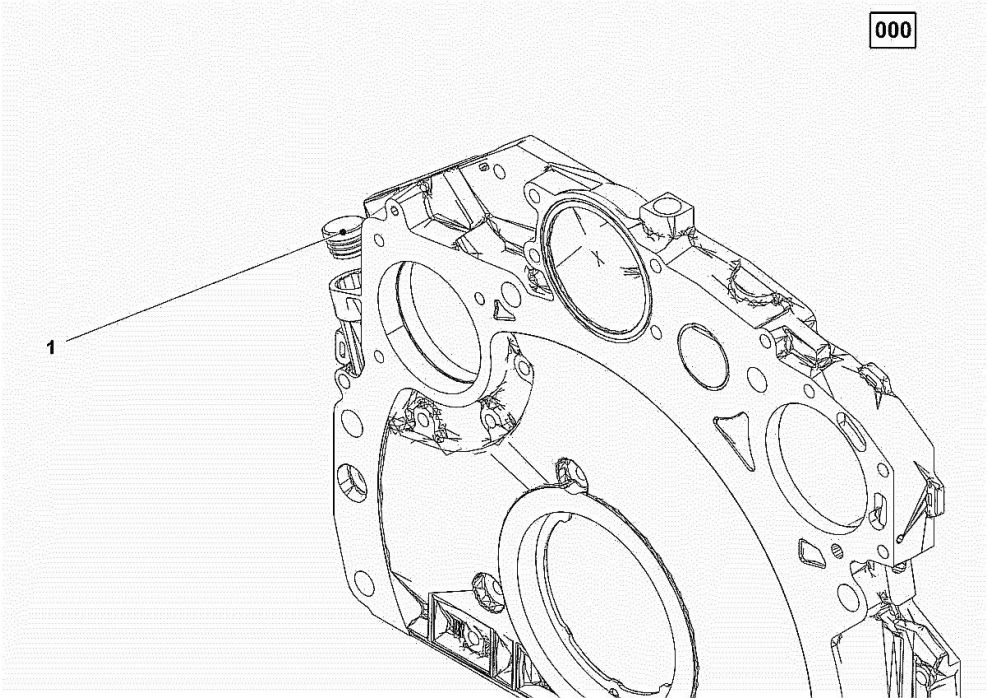
**PLUG**

Fig.	P/n	QTY	Name
------	-----	-----	------

**Notes:**  
 [Fortis 160.4 -> WSXV400200LS50010]

**Engine serial number:**  
 22000399 22000509 22000510 22000511

1	01181264	1	plug H 2870 -F3-28X14,0-PE-LLD
---	----------	---	-----------------------------------



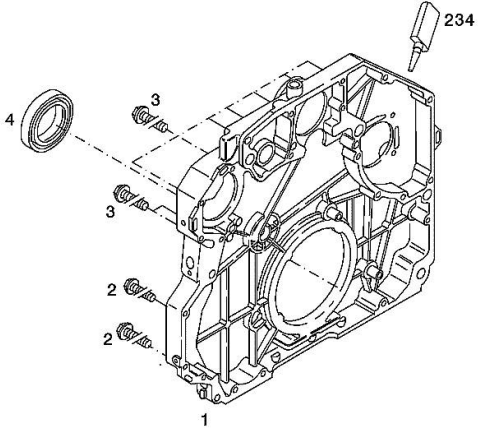
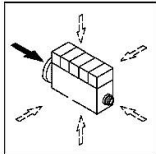
**GEARCASE**

Fig.	P/n	QTY	Name
------	-----	-----	------

**Notes:**  
 [Fortis 160.4 -> WSXV400200LS50010]

**Engine serial number:**  
 22000399 22000509 22000510 22000511

1	04291432	1	plate
2	01143362	12	screw 30 Nm EN 1662 -F-M8X35-10.9-A4C
3	01181437	9	screw 30 Nm EN 1662 -F-M8X45-10.9-ZNAL-A
4	04502203	1	ring
234	01016024	1	gasket H 0699 -DEUTZDW67-50ML



**VENTILSTEUERUNG**

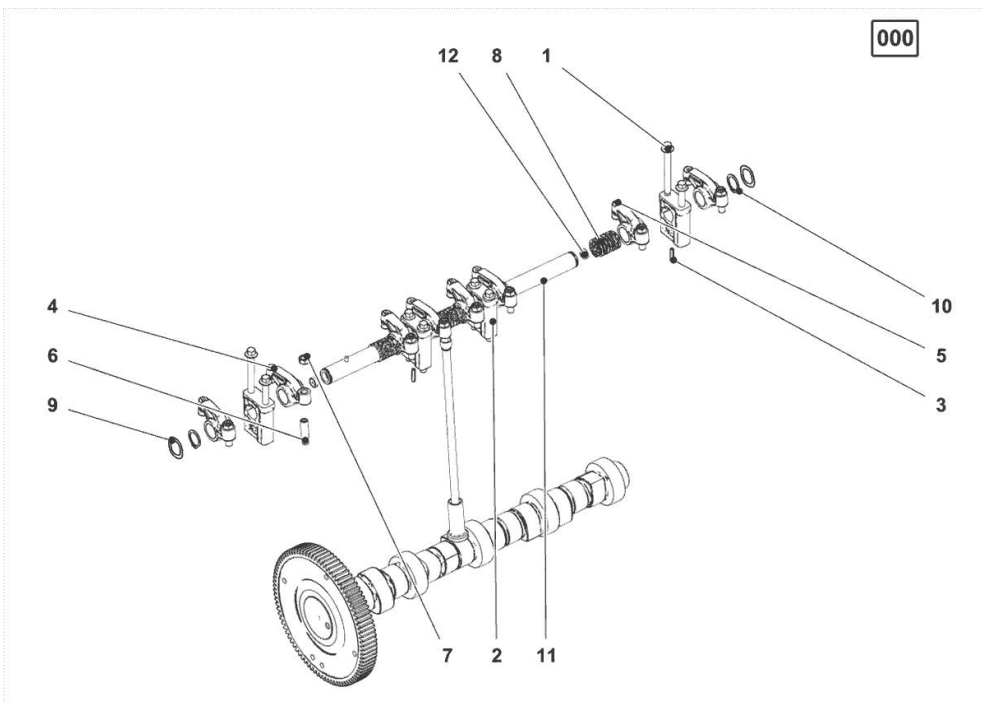
Fig.	P/n	QTY	Name
------	-----	-----	------

**Notes:**

[Fortis 160.4 -&gt; WSXV400200LS50010]

**Engine serial number:**

22000399 22000509 22000510 22000511



1	01181435	8	screw 20 Nm , 30 Nm EN 1662 -F-M8X75-10.9-ZNAL-A*
2	04501728	4	support
3	01144117	2	pin ISO 8750 -5X20-ST
4	04501050	4	rocker arm MIT POS.... (6,7)
5	04501048	4	rocker arm MIT POS.... (6,7)
6	04902838	8	register
7	02109637	8	nut 20 Nm
8	04901080	3	spring
9	04504710	2	washer
10	01107732	2	circlip DIN 471 -22X1,2
11	04502015	1	rod MIT POS.... (12)
12	01180113	2	plug DIN 443 -14
950	04504712	1	none MIT POS.... (1-12)

**FASTENINGS**

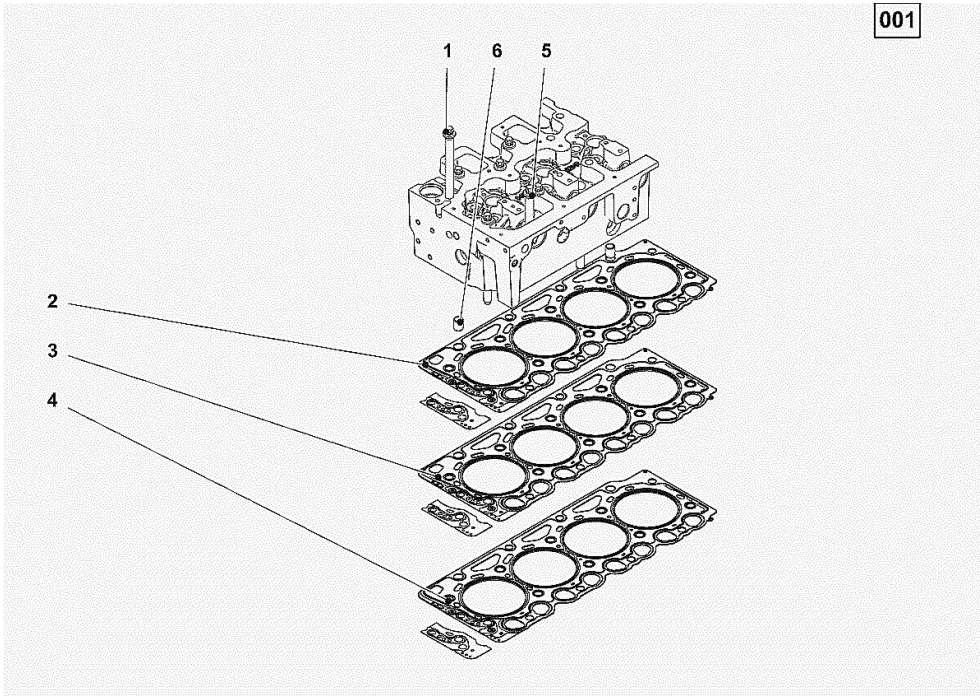
Fig.	P/n	QTY	Name
------	-----	-----	------

**Notes:**

[Fortis 160.4 -> WSXV400200LS50010]

**Engine serial number:**

22000399 22000509 22000510 22000511



1	04501930	14	screw 40 Nm ,70 Nm, 150°
2	04504793	1	gasket DEPENDING ON THE MEASUREMENT, GASKET THICKNESS DELIVERY STATUS (A)= ...MM ASSEMBLY STATUS (B)= ...MM FOR OTHER THICKNESSES SEE POS. (C) A = 1.30 mm
3	04504794	1	gasket DEPENDING ON THE MEASUREMENT, GASKET THICKNESS DELIVERY STATUS (A)= ...MM ASSEMBLY STATUS (B)= ...MM FOR OTHER THICKNESSES SEE POS. (C) A = 1.40 mm
4	04504795	1	gasket DEPENDING ON RESULTS OF THE MEASUREMENT, GASKET THICKNESS DELIVERY CONDITION (A)= ...MM ASSEMBLY CONDITION (B)= ...MM FOR OTHER THICKNESSES REFER TO POS. (C)
5	04251251	4	screw 40 Nm ,70 Nm, 120°
6	01181405	2	grub screw H 2341 -B15X18-FE/ZN12C*

MOTORAUFHAENGUNG

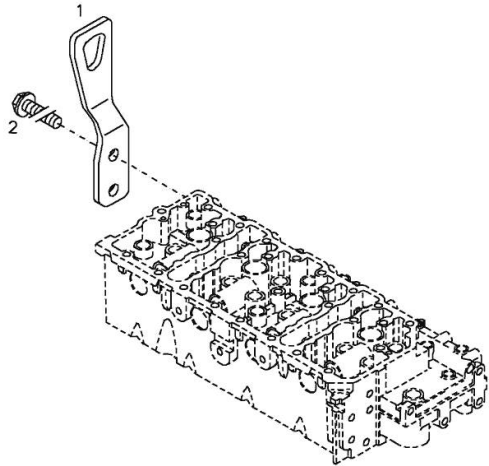
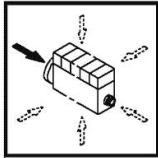
Fig.	P/n	QTY	Name
------	-----	-----	------

Notes:  
 [Fortis 160.4 -> WSXV400200LS50010]

Engine serial number:  
 22000399 22000509 22000510 22000511

2	01183652	2	screw 40.5 Nm EN 1662 -F-M10X25-10.9-ZNAL-A
1	04289469	1	bracket

000 ©



## Section: B0 - ENGINE

**CYLINDER HEAD**

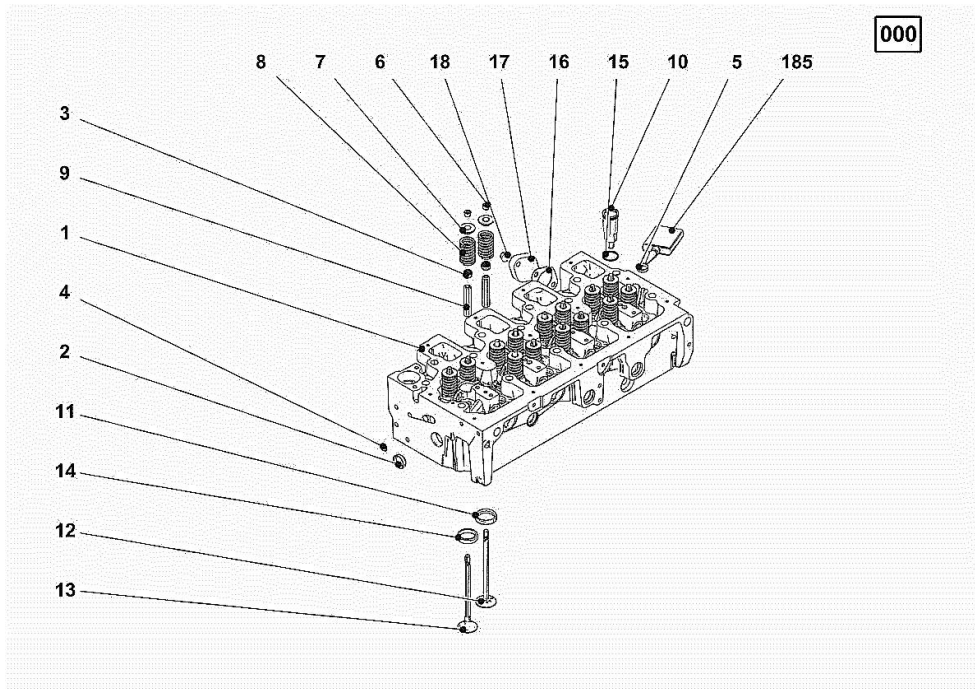
Fig.	P/n	QTY	Name
------	-----	-----	------

**Notes:**

[Fortis 160.4 -&gt; WSXV400200LS50010]

**Engine serial number:**

22000509 22000510 22000511



1	04510156	1	head WITH POS.... (2-18)
2	01165830	4	plug H 711 -B25
3	04153728	16	gasket
4	01182778	2	plug H 711 -B12-7*
5	01165828	10	stop H 711 -B20
6	02108102	32	half shell H 7020 -MK8
7	04250029	16	cup
8	04250396	16	spring
9	04908629	16	valve guide
10	04904885	4	bushing
11	04504789	8	valve seat
12	04500651	8	inlet valve
13	04501941	8	exhaust valve
14	04501935	8	valve seat
15	01182790	4	circlip H 2927 -23,6X2,0-FPM-1-70
16	01120818	1	gasket DIN 71511 -35X58X1-DEUTZDW20
17	01215164	1	flange DIN 71501 -B0X58-1
18	01181433	2	screw 30 Nm EN 1662 -F-M8X20-LG2,5-10.9-ZNAL-A
185	01319910	1	guard

Thank you so much for reading.  
Please click the “Buy Now!”  
button below to download the  
complete manual.



After you pay.

You can download the most  
perfect and complete manual in  
the world immediately.

Our support email:

[ebooklibonline@outlook.com](mailto:ebooklibonline@outlook.com)