

CRANKCASE BREATHER

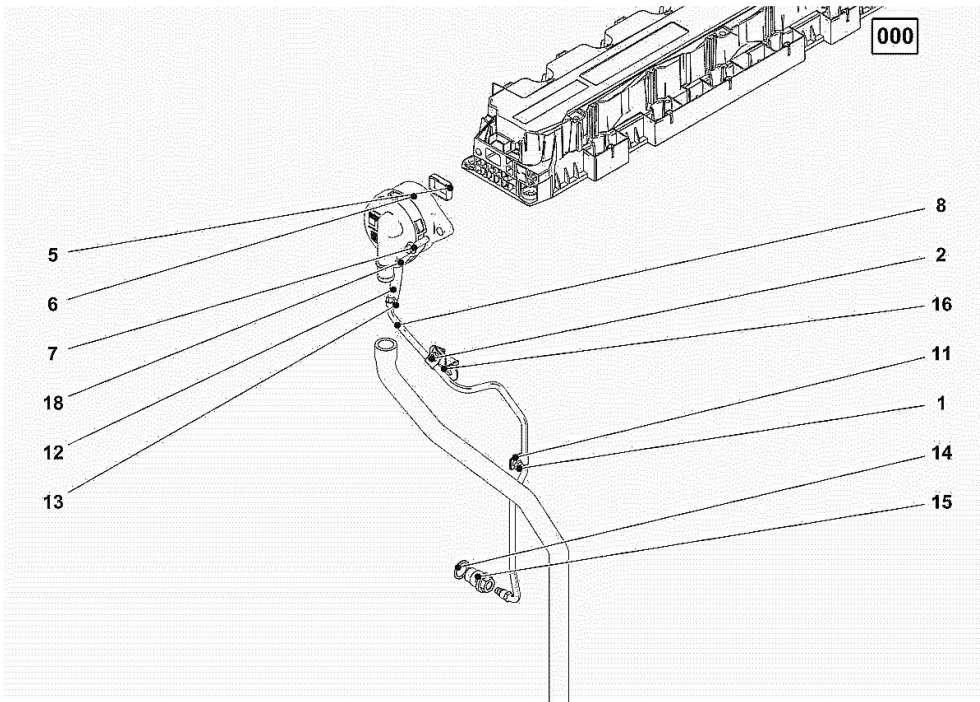
Fig.	P/n	QTY	Name
------	-----	-----	------

Notes:

[Fortis 160.4 INFINITY -> WSXV600200LS50010]

Engine serial number:

22000399 22000509 22000510 22000511



1	01181442	1	screw m6x12 13 Nm EN 1662 -F-M6X12-10.9-ZNAL-A
2	01181433	1	screw 13 Nm EN 1662 -F-M8X20-LG2,5-10.9-ZNAL-A
5	04298547	1	rubber plug
6	04905110	1	breather WITH POS.... (5)
7	01181432	2	screw m8x30 21 Nm EN 1662 -F-M8X30-10.9-ZNAL-A
8	04504866	1	tube WITH POS.... 11-13 20 Nm
11	02144961	2	fascia
12	04291246	1	rubber tube H 3407 -F8X14X72-EAM/ARAMID/EAM
13	01182878	1	fascia H 3461 -F-13,0/8
14	01118737	1	oil seal 22 x 27 DIN 7603 -A22X27-CU
15	04505853	1	pipe union 80 Nm
16	04504828	1	support
18	01182878	1	fascia H 3461 -F-13,0/8

Fortis 160.4 INFINITY -> WSXV600200LS50010

Section: B0 - ENGINE

Ref: B0.01.6

KURBELGEHAEUSE

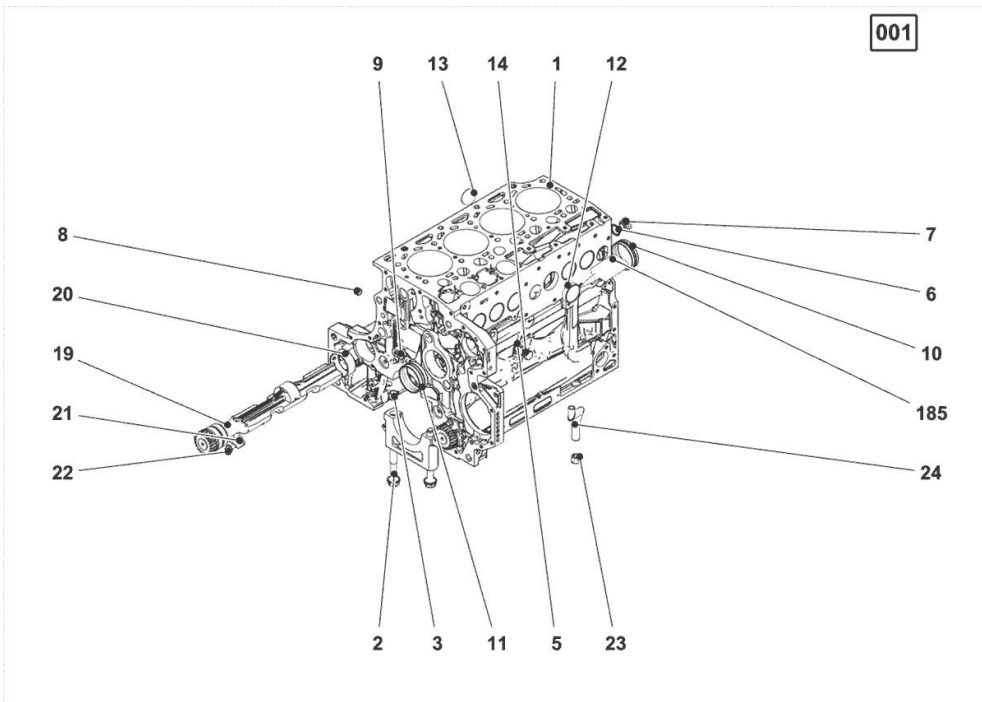
Fig.	P/n	QTY	Name
------	-----	-----	------

Notes:

[Fortis 160.4 INFINITY -> WSXV600200LS50010]

Engine serial number:

22000509 22000510 22000511



185	01319910	1	guard
1	04505538	1	crankcase
2	04254240	10	screw 50 Nm , 90° , 90°
3	04160764	10	bushing
5	01148836	2	oil seal DIN 7603 -D14X20-CU-VERZINNT
6	01148863	1	rubber plug DIN 7603 -D22X27-CU-VERZINNT
7	04292706	1	plug 80 Nm
8	01182031	2	screw 35 Nm H 2812 -906-M14X1,5-ST-A3C-LOCTITE506
9	04226536	1	bottom
10	04507244	4	bushing
11	04507765	1	bushing
12	01148032	6	cover DIN 443 -A45-ZNPHR
13	01148031	4	plug DIN 443 -A36-ZNPHR
14	01100940	2	screw 35 Nm DIN 7604 -AM14X1,5-ST-A4C
19	04298246	2	shaft
20	04252834	4	bush
21	04251810	2	plug
22	01181672	2	nut 29 Nm H 2091 -4017-M8X16-10.9-GESCHW-MK-1.0
23	04255998	1	ring
24	04291215	1	tube

Fortis 160.4 INFINITY -> WSXV600200LS50010

Section: B0 - ENGINE

Ref: B0.01.7

KURBELGEHAEUSE

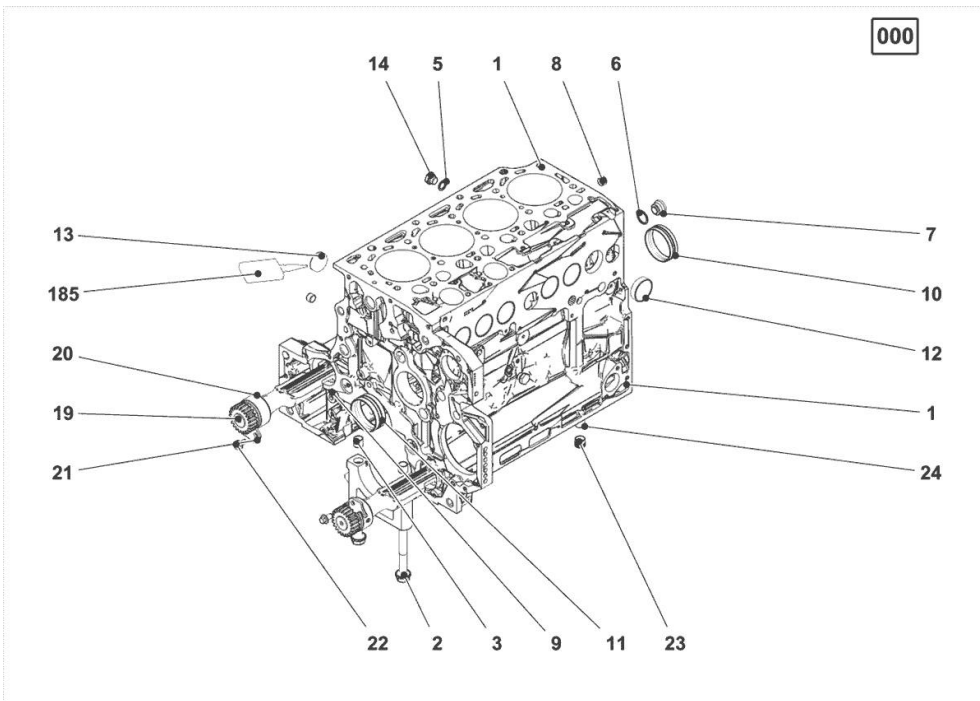
Fig.	P/n	QTY	Name
------	-----	-----	------

Notes:

[Fortis 160.4 INFINITY -> WSXV600200LS50010]

Engine serial number:

22000399



185	01319910	1	guard
1	04505489	1	crankcase MIT POS.... (2,3,5-14,19-24)
2	04254240	10	screw 50 Nm , 90° , 90°
3	04160764	10	bushing
5	01148836	2	oil seal DIN 7603 -D14X20-CU-VERZINNT
6	01148863	1	rubber plug DIN 7603 -D22X27-CU-VERZINNT
7	04292706	1	plug 80 Nm
8	01182031	2	screw 35 Nm H 2812 -906-M14X1,5-ST-A3C-LOCTITE506
9	04226536	1	bottom 30 Nm
10	04251884	4	plug
11	04501746	1	bushing
12	01148032	6	cover DIN 443 -A45-ZNPHR
13	01148031	4	plug DIN 443 -A36-ZNPHR
14	01100940	2	screw 35 Nm DIN 7604 -AM14X1,5-ST-A4C
19	04298246	2	shaft
20	04252834	4	bush
21	04251810	2	plug
22	01181672	2	nut 29 Nm H 2091 -4017-M8X16-10.9-GESCHW-MK-1.0
23	04255998	1	ring
24	04291215	1	tube

ACCESSORIES

Fig.	P/n	QTY	Name
------	-----	-----	------

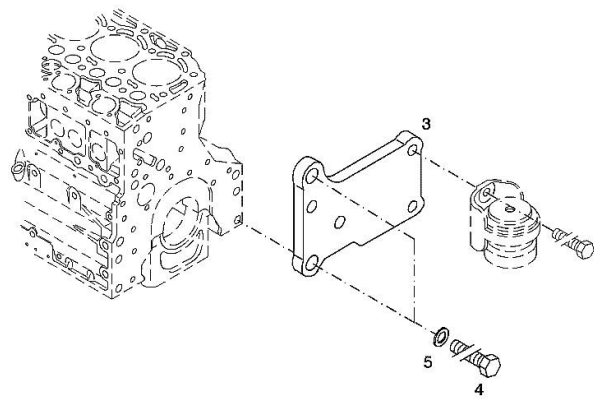
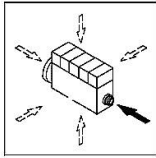
Notes:

[Fortis 160.4 INFINITY -> WSXV600200LS50010]

Engine serial number:

22000399 22000509 22000510 22000511

3	04288659	1	support
4	01148261	2	screw ISO 4017 -M16X40-10.9-ZNAL-A
5	01181400	2	washer H 2308 -18X25X1,5-A4C



ACCESSORIES

Fig.	P/n	QTY	Name
------	-----	-----	------

Notes:

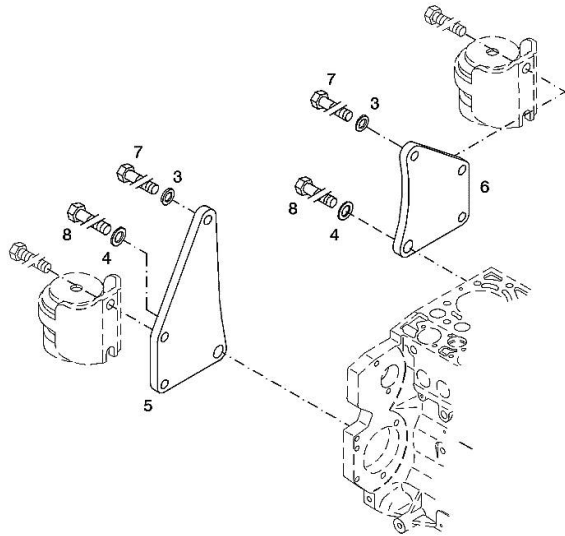
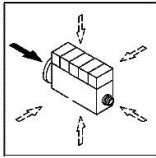
[Fortis 160.4 INFINITY -> WSXV600200LS50010]

Engine serial number:

22000399 22000509 22000510 22000511

3	01182016	2	disc H 2308 -13X24X3-ZNAL-A
4	01181400	2	washer H 2308 -18X25X1,5-A4C
5	04206926	1	plate dx/rh/re
6	04206927	1	plate sx/lh/li
7	01148137	2	screw - UP TO MONTH OF ASSEMBLY (A) - FROM MONTH OF ASSEMBLY SEE POS. (B) A = 06.2009 B = POS. 950 DIN 931 -M12X75-10.9-ZNAL-A
8	01148037	2	screw UP TO MONTH OF ASSEMBLY (A) - FROM MONTH OF ASSEMBLY SEE POS. (B) A = 06.2009 B = POS. 951 ISO 4014 -M16X75-10.9-OELGESCHW
950	01149017	2	screw - FROM MONTH OF ASSEMBLY SEE POS. (B) - UP TO MONTH OF ASSEMBLY (A) FROM MONTH OF ASSEMBLY A = 07.2009 B = 7
951	01180235	2	screw - FROM MONTH OF ASSEMBLY SEE POS. (B) - UP TO MONTH OF ASSEMBLY (A) FROM MONTH OF ASSEMBLY A = 07.2009 B= Pos.8 DIN 34800 -BM12X75-10.9-ZNAL-A H 2032 -HBM16X75-10.9-GESCHW

003 ©



ACCESSORIES

Fig.	P/n	QTY	Name
------	-----	-----	------

Notes:

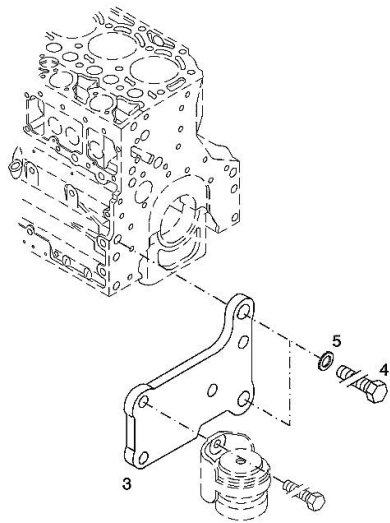
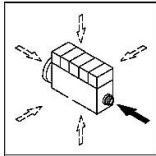
[Fortis 160.4 INFINITY -> WSXV600200LS50010]

Engine serial number:

22000399 22000509 22000510 22000511

3	04288660	1	support
4	01148261	2	screw ISO 4017 -M16X40-10.9-ZNAL-A
5	01181400	2	washer H 2308 -18X25X1,5-A4C

003 ©



OIL FILLER NECK

Fig.	P/n	QTY	Name
------	-----	-----	------

Notes:

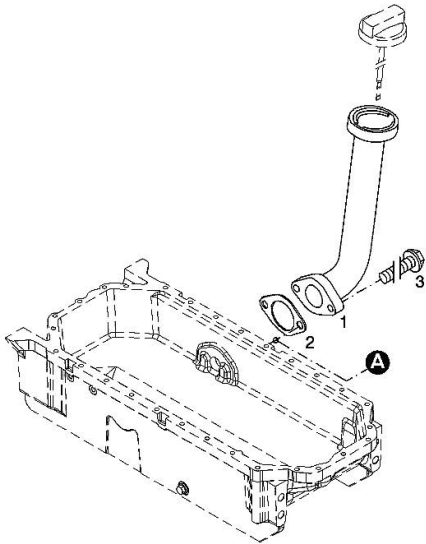
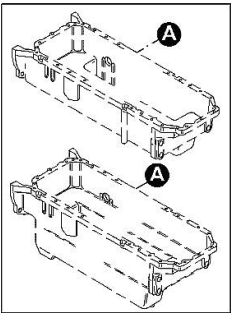
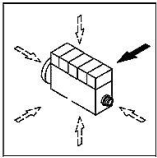
[Fortis 160.4 INFINITY -> WSXV600200LS50010]

Engine serial number:

22000399 22000509 22000510 22000511

1	04207099	1	tube
2	01178421	1	gasket
3	01181433	2	screw
			30 Nm

001 ©



FILLER CAP

Fig.	P/n	QTY	Name
------	-----	-----	------

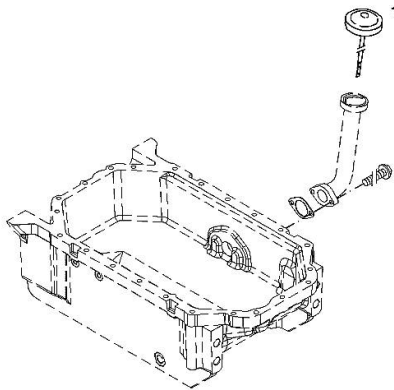
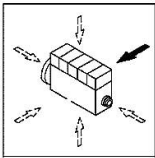
Notes:

[Fortis 160.4 INFINITY -> WSXV600200LS50010]

Engine serial number:

22000399 22000509 22000510 22000511

1	01183278	1	plug H 2875 -B2-OL40-166X4-122X15
---	----------	---	--------------------------------------



Fortis 160.4 INFINITY -> WSXV600200LS50010

Section: B0 - ENGINE

Ref: B0.01.15

PISTON COOL.NOZZLE

Fig.	P/n	QTY	Name
------	-----	-----	------

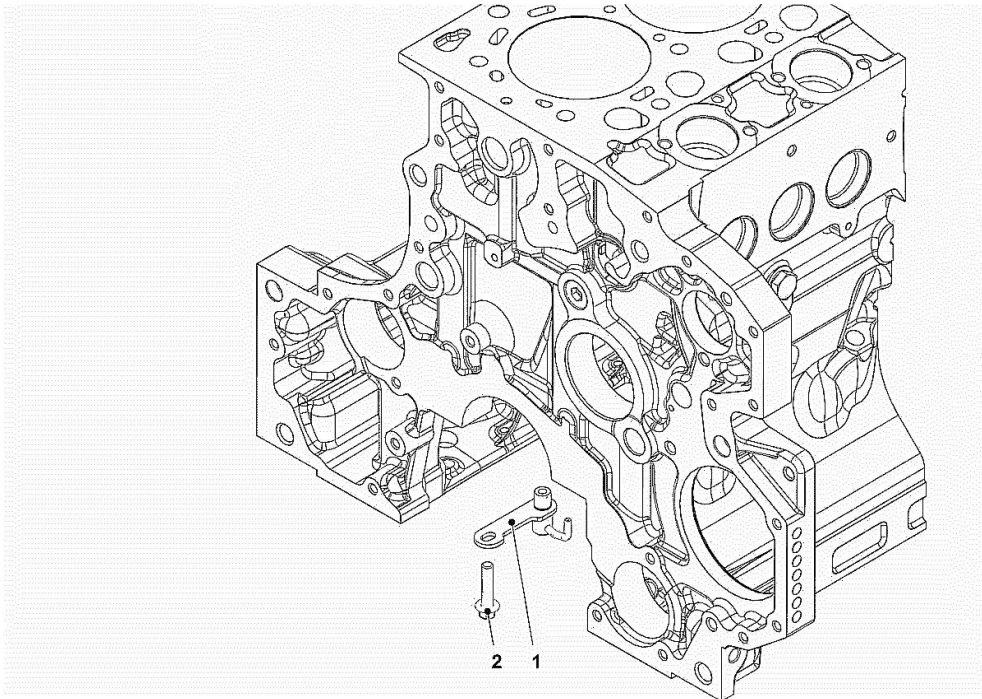
Notes:

[Fortis 160.4 INFINITY -> WSXV600200LS50010]

Engine serial number:

22000399 22000509 22000510 22000511

1	04502662	1	support
2	01143362	1	screw
			21 Nm
			EN 1662 -F-M8X35-10.9-A4C



Fortis 160.4 INFINITY -> WSXV600200LS50010

Section: B0 - ENGINE

Ref: B0.01.16

FLANGE

Fig.	P/n	QTY	Name
-------------	------------	------------	-------------

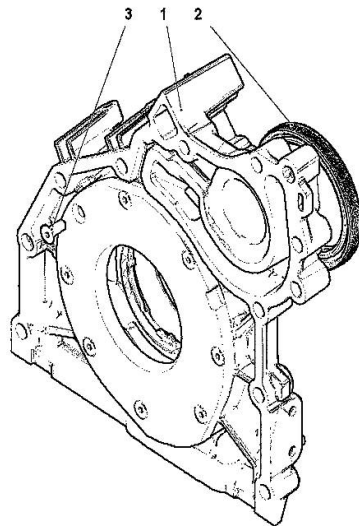
Notes:

[Fortis 160.4 INFINITY -> WSXV600200LS50010]

Engine serial number:

22000399 22000509 22000510 22000511

1	04502446	1	oil pump WITH POS.... (2,3)
2	04502202	1	special oil seal
3	01133718	8	screw 8.5 Nm DIN 7991 -M6X16-8.8-A4C



Fortis 160.4 INFINITY -> WSXV600200LS50010

Section: B0 - ENGINE

Ref: B0.01.17

COVER

Fig.	P/n	QTY	Name
------	-----	-----	------

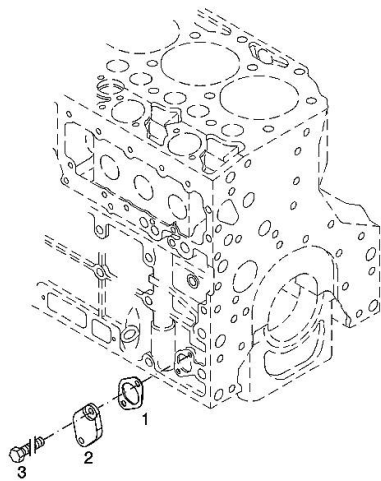
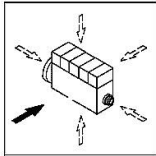
Notes:

[Fortis 160.4 INFINITY -> WSXV600200LS50010]

Engine serial number:

22000399 22000509 22000510 22000511

1	01178421	1	gasket DIN 71511 -35X58X1,5-DEUTZFW31
2	04299461	1	flange
3	01148135	2	screw 30 Nm ISO 4017 -M8X20-10.9-ZNAL-A



Fortis 160.4 INFINITY -> WSXV600200LS50010

Section: B0 - ENGINE

Ref: B0.02.0 (1)

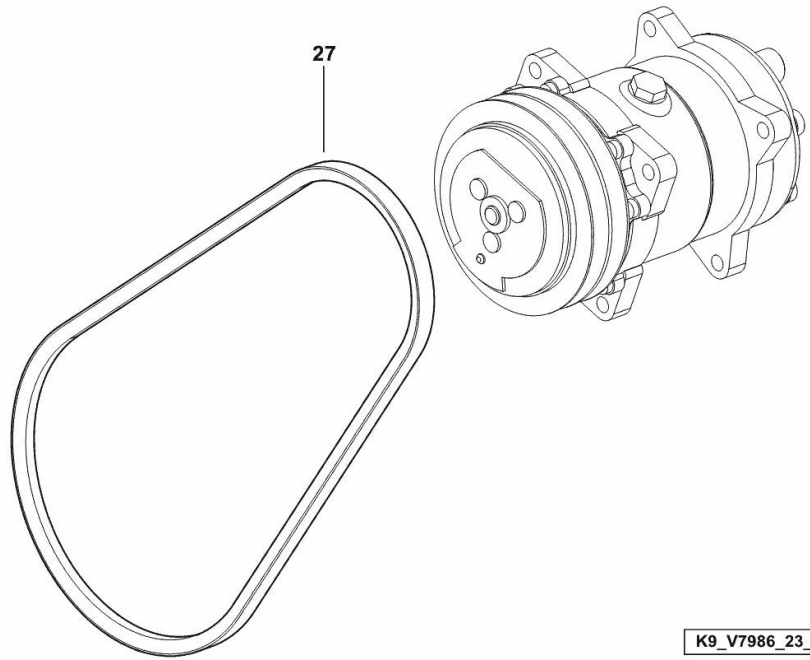
V-BELT - FOR TRACTORS WITH AIR CONDITIONING

Fig.	P/n	QTY	Name
------	-----	-----	------

Notes:

[Fortis 160.4 INFINITY -> WSXV600200LS50010]

27	2.4119.182.0	1	belt AV 13x1050 mm
----	--------------	---	--------------------



K9_V7986_23_0-B-001

Fortis 160.4 INFINITY -> WSXV600200LS50010

Section: B0 - ENGINE

Ref: B0.02.1 (1)

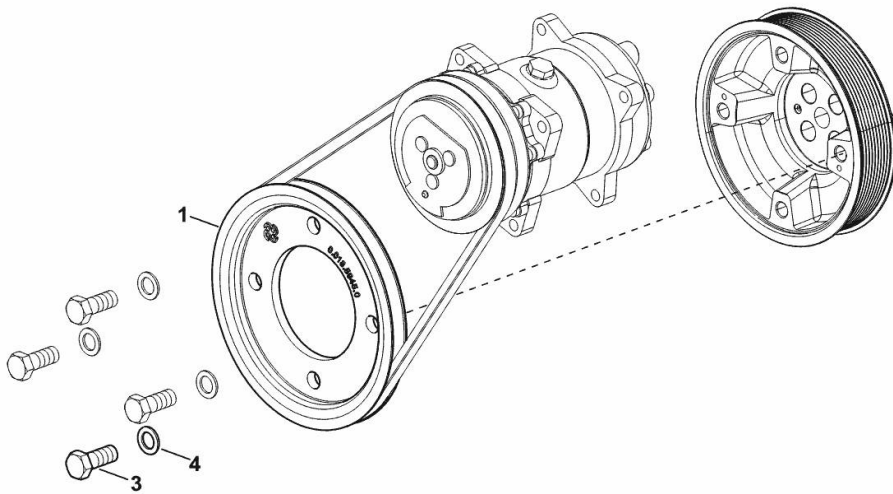
V-GROOVED PULLEY

Fig.	P/n	QTY	Name
------	-----	-----	------

Notes:

[Fortis 160.4 INFINITY -> WSXV600200LS50010]

1	0.018.5845.0	1	pulley
3	2.0112.513.2	4	screw m 14 p.2 x 35
4	2.1470.008.2	4	lock washer 14



K9_K5019_01_0-A-001

FASTENINGS

Fig.	P/n	QTY	Name
------	-----	-----	------

Notes:

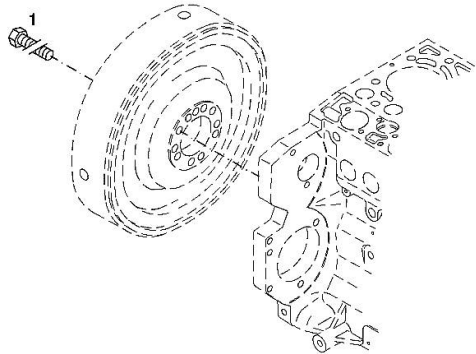
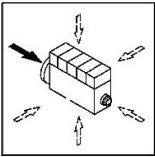
[Fortis 160.4 INFINITY -> WSXV600200LS50010]

Engine serial number:

22000399 22000509 22000510 22000511

1	04204128	10	screw m 10 p.1x35 M10X1X35
---	----------	----	-------------------------------

001 ©



Fortis 160.4 INFINITY -> WSXV600200LS50010

Section: B0 - ENGINE

Ref: B0.02.3

KEILR.SCHEIBENANB.

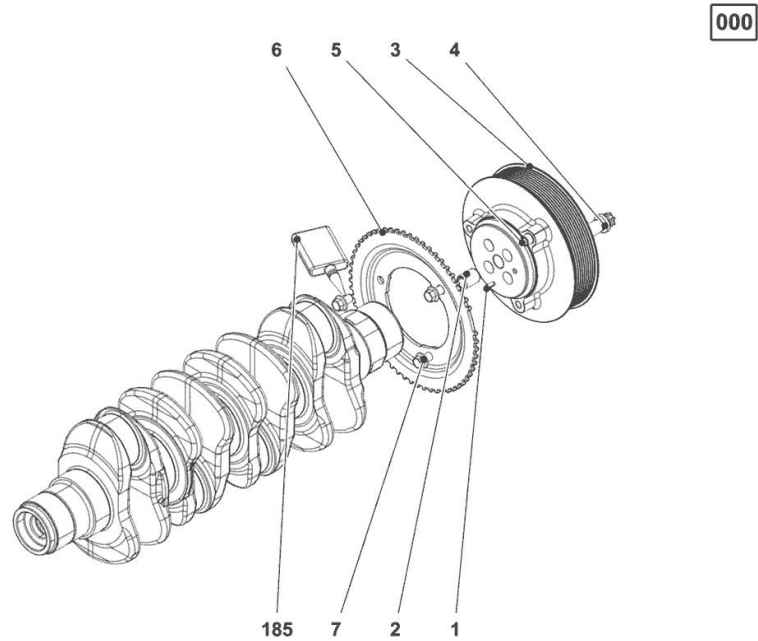
Fig.	P/n	QTY	Name
------	-----	-----	------

Notes:

[Fortis 160.4 INFINITY -> WSXV600200LS50010]

Engine serial number:

22000399 22000509 22000510 22000511



7	01183651	3	screw 70 Nm EN 1662 -F-M10X20-10.9-ZNAL-A
185	01319910	1	guard
1	01125637	1	pin ISO 8752 -5X14-ST
2	01181404	1	bush H 2341 -B18X24-FE/ZN12C*
3	04503797	1	pulley
4	04253406	4	screw 40 Nm , 60° , 60°
5	01174180	1	bush H 2341 -B13X10
6	04284735	1	lock washer

Thank you so much for reading.
Please click the “Buy Now!”
button below to download the
complete manual.



After you pay.

You can download the most
perfect and complete manual in
the world immediately.

Our support email:

ebooklibonline@outlook.com