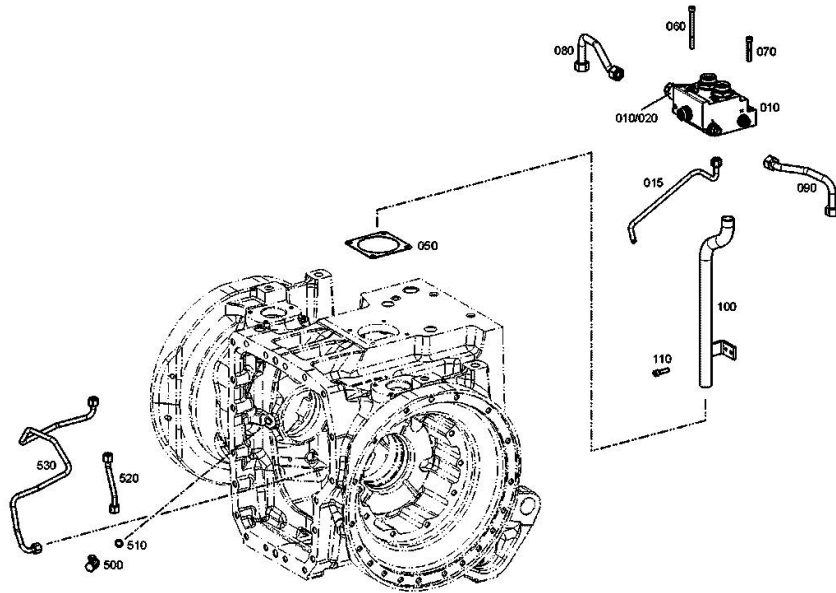


**OIL SUPPLY - 2093 012 017**

Fig.	P/n	QTY	Name
10	0.900.2219.4	1	valve
10.20	0.900.2013.9	1	coil
15	0.900.2219.5	1	tube
50	0.900.0885.3	1	gasket
60	0.900.0882.4	2	screw m 8x95
70	0.900.0882.1	2	screw m 8 x 40
80	0.900.0954.0	1	gasket
90	0.900.0954.1	1	pipng
100	0.900.0883.3	1	tube
110	04434509	2	screw m 8 x 30
500	04417707	1	pipe fitting
510	04423731	1	oil seal 14 x 18
520	0.010.2973.0	1	pipng
530	0.010.2899.2	1	tube



**OIL SUPPLY - 2093 012 017**

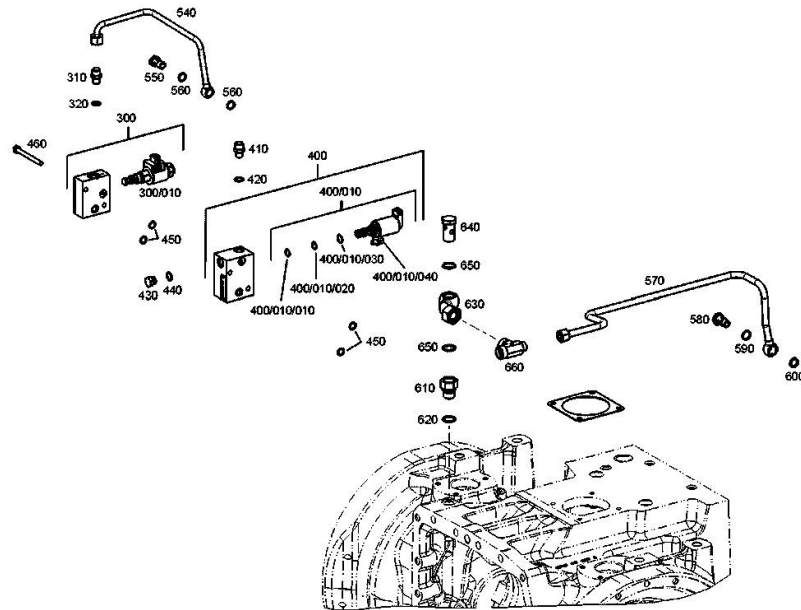
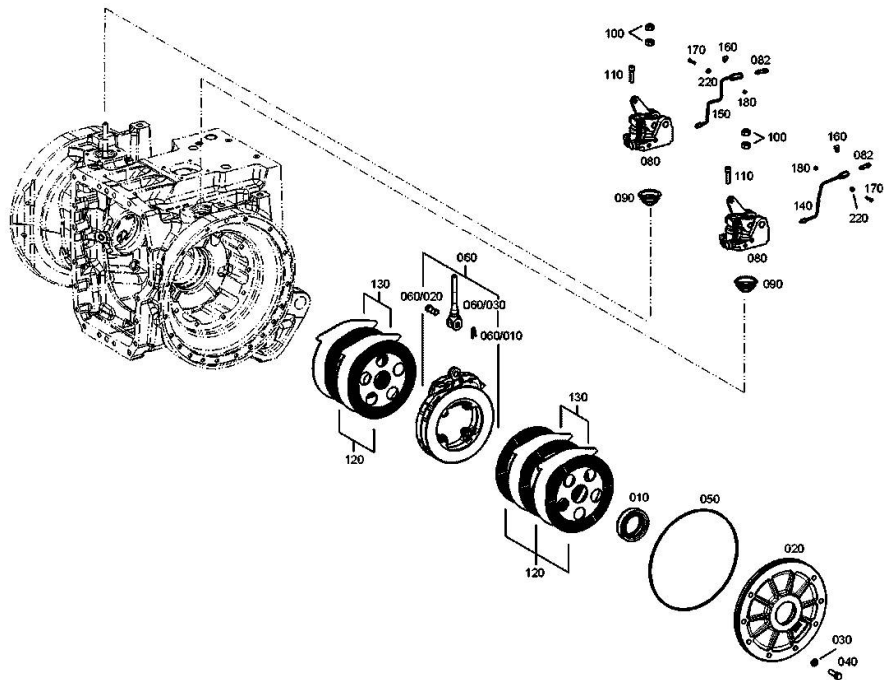


Fig.	P/n	QTY	Name
300	0.900.1363.3	1	small block
300.10	0.900.1384.6	1	solenoid valve
310	0.900.2209.1	1	pipe union
320	04423731	1	oil seal 14 x 18
400	0.900.0952.1	1	control
400.10	0.900.0952.8	1	solenoid valve DV
400.10.10	0.900.1377.6	1	gasket 13 x 1.5
400.10.20	0.900.1377.5	1	gasket 12,4 x 1,78
400.10.30	0.900.1377.7	1	gasket 14x1.78
400.10.40	0.900.1377.8	1	screw m 8 x 16
410	0.900.2209.1	1	pipe union
420	04423731	1	oil seal 14 x 18
430	0.900.0281.0	1	plug m 14 p.1.5
440	04423731	1	oil seal 14 x 18
450	0.900.0801.4	4	ring 11,3 x 2,4 NBR-70-10
460	0.900.1363.4	2	screw
540	0.900.1363.2	1	tube
550	0.900.2189.8	1	screw
560	04423731	2	oil seal 14 x 18
570	0.010.2894.2	1	piping
580	04427560	1	pipe union
590	04436331	1	oil seal 16 x 20
600	0.010.2895.0	1	gasket 14x20
610	0.010.3826.2	1	pipe fitting
620	01118737	1	oil seal 22 x 27
630	0.010.3826.0	1	piping
640	04415923	1	pipe union 18 DIN 7643
650	01118737	2	oil seal 22 x 27
660	04435710	1	vent

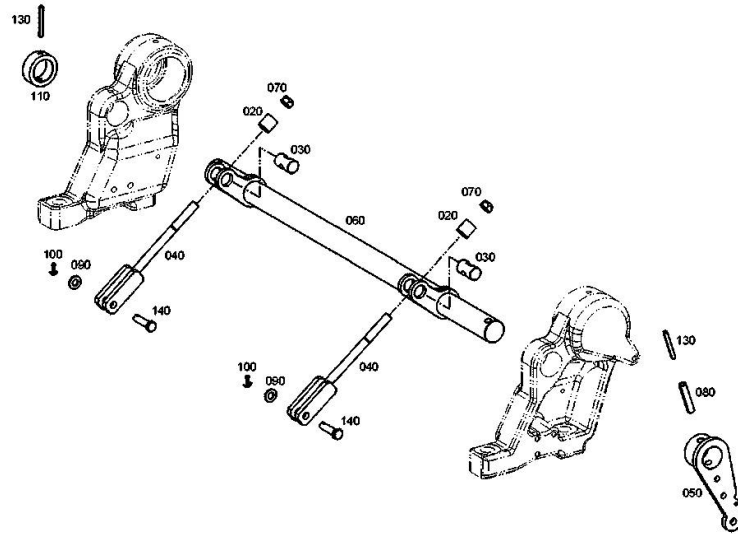
**REAR BRAKES - 2093 012 017**

Fig.	P/n	QTY	Name
10	04417316	2	oil seal
20	0.900.1239.5	2	cover
30	0.900.0277.9	4	washer
40	0.900.2018.4	16	screw
50	04428220	2	oil seal 305x4
60	0.900.1583.9	2	transmission brake
60.10	04435741	1	split pin
60.20	04435740	1	pin
60.30	04428551	1	rod
80	0.900.2018.5	2	operation
82	0.900.2124.5	2	breather
90	0.900.0800.9	2	rubber bushing
100	0.900.2019.0	4	nut
110	0.900.0469.7	6	screw m 10 x 40
120	0.900.1584.6	10	disc
130	0.900.0801.3	8	disc
140	04428545	1	tube sx/lh/li
150	04428546	1	pipng dx/rh/re
160	0.900.0468.2	2	clamp 6x12
170	0.900.0280.1	2	screw m 5 x 25
180	0.900.2181.3	2	nut
220	0.900.2181.4	2	nut



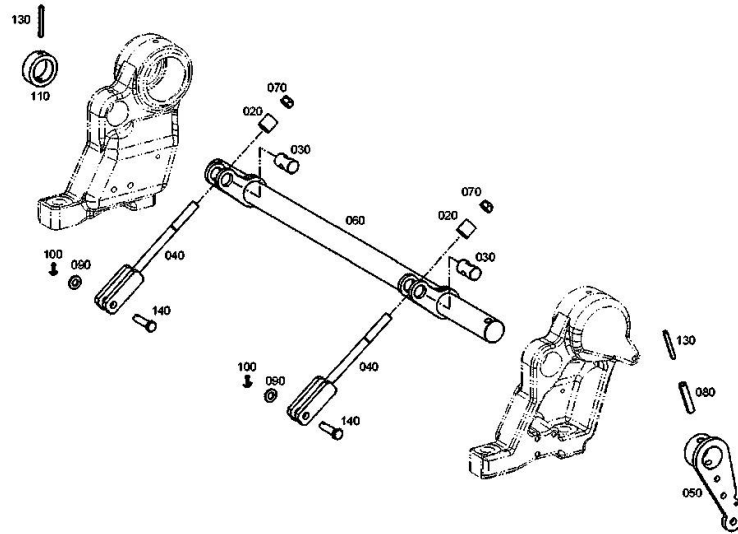
**BRAKE CONTROLS - 2093 012 017**

Fig.	P/n	QTY	Name
20	0.900.1239.8	2	tube
30	0.900.1239.9	2	pin
40	0.900.2018.6	2	rod
50	0.900.2124.6	1	lever
60	0.900.2018.8	1	shaft
70	0.900.0281.9	2	nut m 12
80	0.900.2018.9	1	pin
90	0.900.0466.9	2	washer
100	0.900.2082.0	2	pin
110	0.900.1240.3	1	spacer
130	0.010.2901.1	2	pin 6x50
140	0.900.2015.9	2	ring



**LIFTING - 2093 012 017**

Fig.	P/n	QTY	Name
10	0.900.0883.4	1	shaft
30	0.900.1407.9	1	bearing block dx/rh/re
40	0.900.1431.3	2	bearing
50	0.900.1408.0	1	bearing block sx/lh/li
60	04417549	2	special bushing
70	0.900.0469.1	4	screw m 20x65
80	0.900.0498.6	2	grease gun
90	04417552	2	ring 78.5x6
100	0.010.2922.2	2	grease gun m 8 p.1 x 8



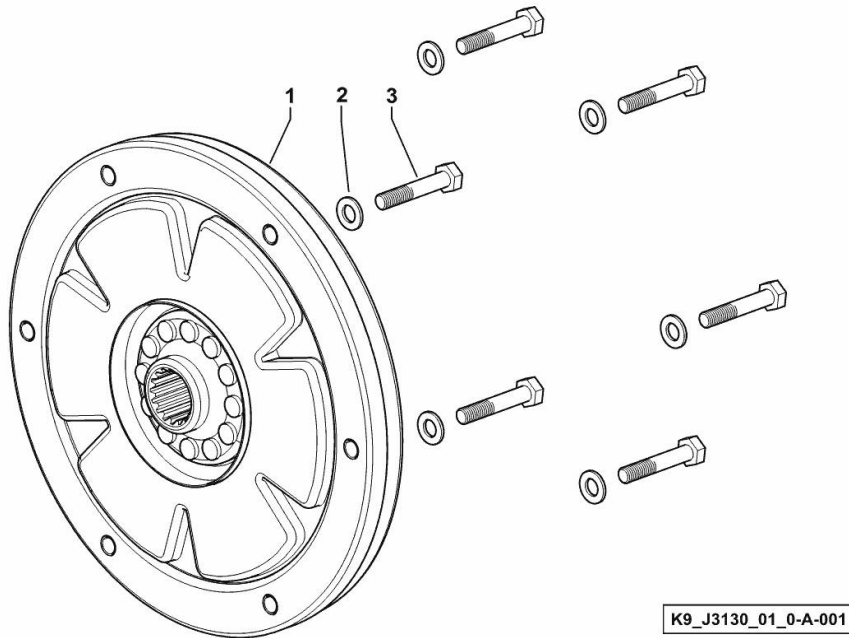
**FLEXIBLE COUPLINGS**

Fig.	P/n	QTY	Name
------	-----	-----	------

**Notes:**

[FORTIS 160.4 Infinity ->WSXAP80200LS50010]

1	0.015.4319.4	1	vibration damper
2	2.1475.003.2	6	washer 10
3	2.0113.320.7	6	screw m 10 p.1.5 x 55



**FORTIS 160.4 Infinity ->WSXAP80200LS50010**

Section: D0 - TRANSMISSION

Ref: D0.09.0 (1)

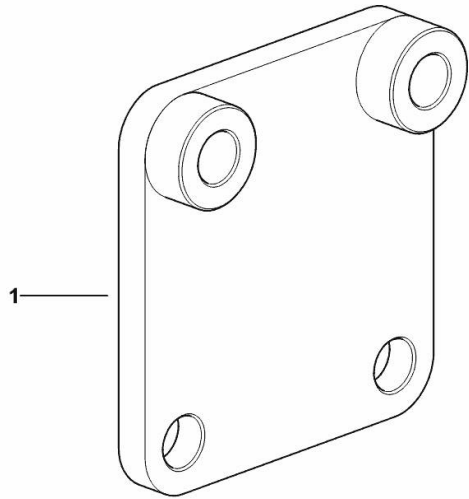
**SEPARATOR mm 15**

Fig.	P/n	QTY	Name
------	-----	-----	------

**Notes:**

- FOR MODELS WITH FRONT LIFT [FORTIS 160.4 Infinity ->WSXAP80200LS50010]

1	0.015.7285.2	2	spacer mm 15
---	--------------	---	--------------



K9\_S3156\_02\_0-A-001

**FORTIS 160.4 Infinity ->WSXAP80200LS50010**

Section: D0 - TRANSMISSION

Ref: D0.09.1 (1)

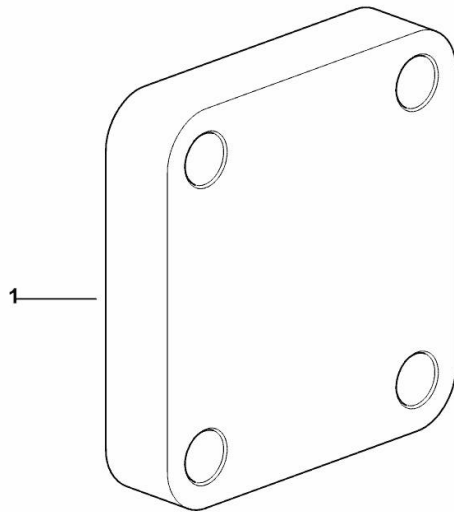
**SEPARATOR mm 35**

Fig.	P/n	QTY	Name
------	-----	-----	------

**Notes:**

- FOR MODELS WITHOUT FRONT LIFT [FORTIS 160.4 Infinity ->WSXAP80200LS50010]

1	0.015.7283.0	2	spacer mm 35
---	--------------	---	--------------



K9\_S3156\_01\_0-A-001



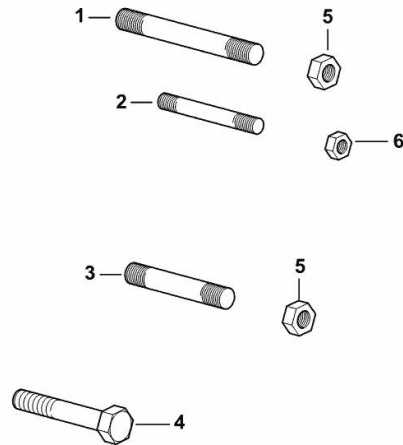
**FIXING PARTS - MOTOR - GEARS**

Fig.	P/n	QTY	Name
------	-----	-----	------

**Notes:**

[FORTIS 160.4 Infinity ->WSXAP80200LS50010]

1	2.0439.288.6/10	2	stud bolt m 16 p.2x140
2	2.0439.289.6/20	2	stud bolt m 12 p.1.75x100
3	2.0439.290.6/10	2	stud bolt m 16 p.2x120
4	2.0119.288.6	2	screw m16x100 d931
5	2.1012.109.7	4	nut m 16
6	2.1012.107.7	2	nut m 12



K9\_A3931\_01\_0-A-002

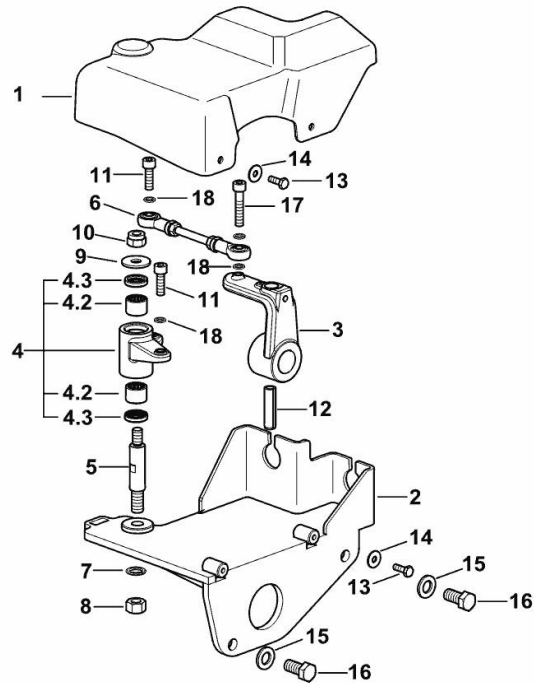
**GEAR SHIFTING**

Fig.	P/n	QTY	Name
------	-----	-----	------

**Notes:**

- FOR TYPES WITH NON-ROBOTIC GEARBOX [FORTIS 160.4 Infinity ->WSXAP80200LS50010]

1	0.019.4943.0	1	cover
2	0.016.5459.2/20	1	support
3	0.019.5033.0	1	lever
4	0.019.5053.4	1	lever
4.2	2.2725.020.0	2	roller cage 16x22x16
4.3	2.1519.078.0	2	special oil seal 16 x 24 x 6
5	0.016.2711.0/20	1	pin
6	0.019.4543.4	1	stay
7	2.1474.011.2	1	spring washer 12
8	2.1011.107.2	1	nut m 12 p.1.75
9	2.1312.005.2	1	washer 10.2
10	2.1120.006.2	1	nut m 10 p.1.5
11	2.0312.208.2	2	screw m 8 p.1.25 x 25
12	2.1630.916.2	1	pin 12x45
13	2.0112.006.2	2	screw m 6 p.1 x 18
14	2.1312.003.2	2	washer 6
15	2.1475.104.6	2	screw 13 x 24
16	2.0114.409.2	2	screw m 12 x 25
17	2.0312.214.2	1	screw m 8 p.1.25 x 40
18	2.1549.780.2	4	washer



K9\_J3164\_04\_0-A-002

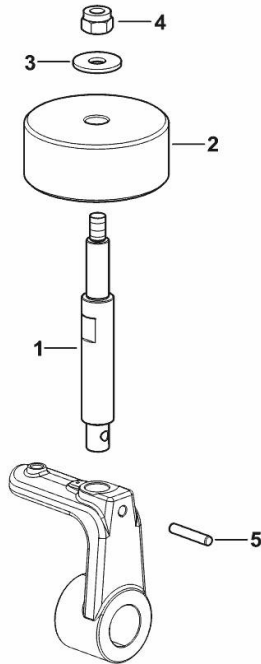
**GEAR SHIFTING**

Fig.	P/n	QTY	Name
------	-----	-----	------

**Notes:**

- FOR TYPES WITH NON-ROBOTIC GEARBOX [FORTIS 160.4 Infinity ->WSXAP80200LS50010]

1	0.019.5035.0/10	1	pin
2	0.019.4933.0/10	1	mass
3	2.1312.005.2	1	washer 10.2
4	2.1120.006.2	1	nut m 10 p.1.5
5	2.1659.533.2	1	pin



K9\_U1564\_01\_0-A-001

Thank you so much for reading.  
Please click the “Buy Now!”  
button below to download the  
complete manual.



After you pay.

You can download the most  
perfect and complete manual in  
the world immediately.

Our support email:

[ebooklibonline@outlook.com](mailto:ebooklibonline@outlook.com)