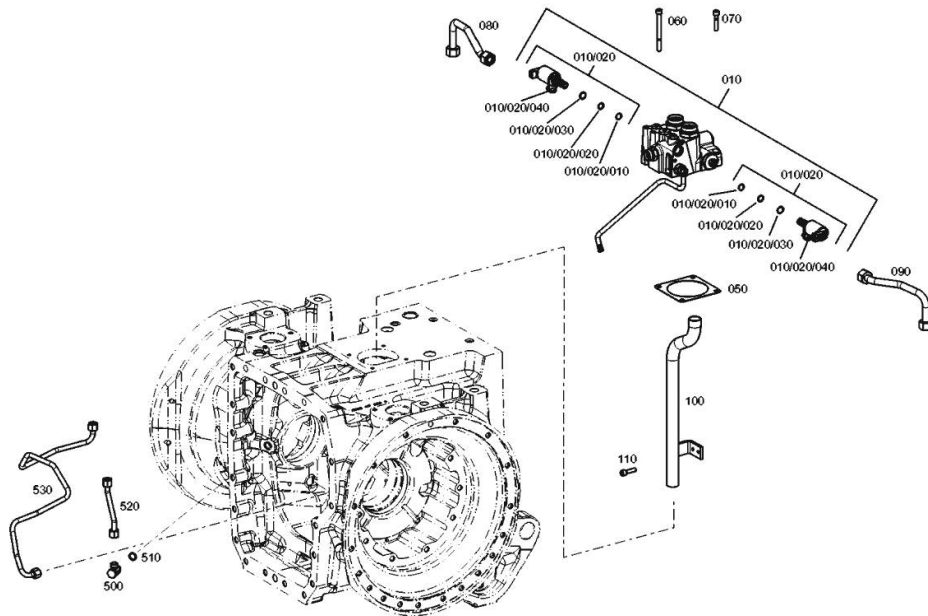


OIL SUPPLY - 2093 011 024

Fig.	P/n	QTY	Name
10	0.900.0984.8	1	valve
10.20	0.900.0952.8	2	solenoid valve DV
10.20.10	0.900.1377.6	1	gasket 13 x 1.5
10.20.20	0.900.1377.5	1	gasket 12,4 x 1,78
10.20.30	0.900.1377.7	1	gasket 14x1.78
10.20.40	0.900.1377.8	1	screw m 8 x 16
50	0.900.0885.3	1	gasket
60	0.900.0882.4	2	screw m 8x95
70	0.900.0882.1	2	screw m 8 x 40
80	0.900.0954.0	1	gasket
90	0.900.0954.1	1	pipng
100	0.900.0883.3	1	tube
110	04434509	2	screw m 8 x 30
500	04417707	1	pipe fitting
510	04423731	1	oil seal 14 x 18
520	0.010.2973.0	1	pipng
530	0.010.2899.2	1	tube



OIL SUPPLY - 2093 011 024

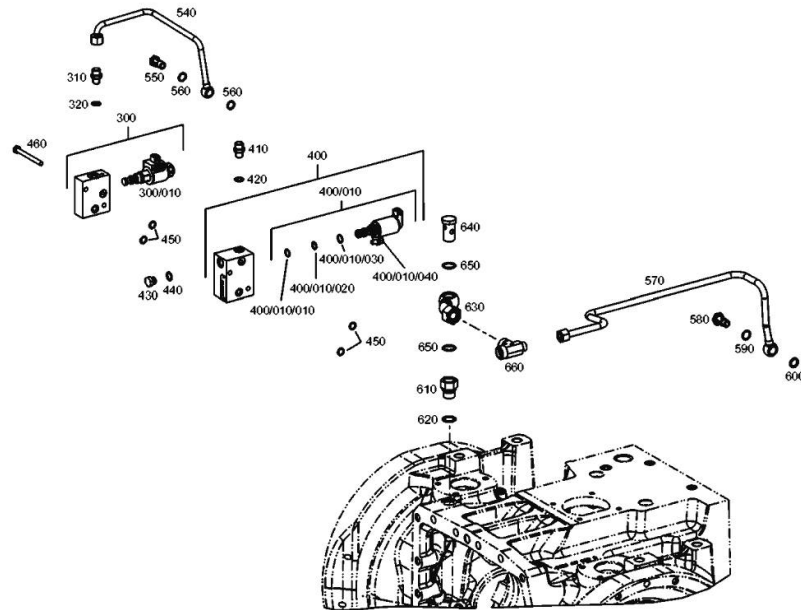
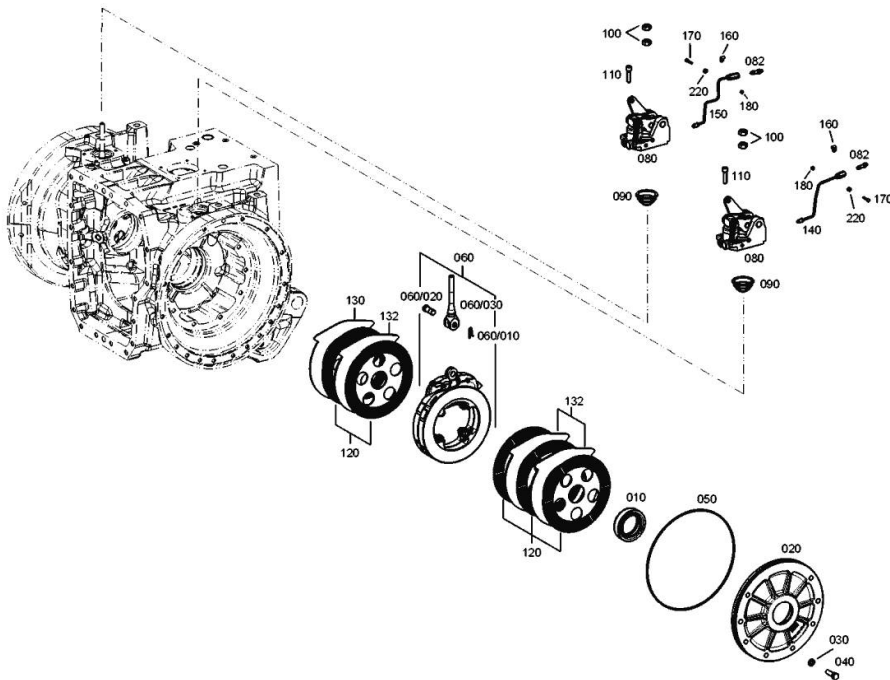


Fig.	P/n	QTY	Name
300	0.900.1363.3	1	small block
300.10	0.900.1384.6	1	solenoid valve
310	04417466	1	pipe fitting
320	04423731	1	oil seal 14 x 18
400	0.900.0952.1	1	control
400.10	0.900.0952.8	1	solenoid valve DV
400.10.10	0.900.1377.6	1	gasket 13 x 1.5
400.10.20	0.900.1377.5	1	gasket 12,4 x 1,78
400.10.30	0.900.1377.7	1	gasket 14x1.78
400.10.40	0.900.1377.8	1	screw m 8 x 16
410	04417466	1	pipe fitting
420	04423731	1	oil seal 14 x 18
430	0.900.0281.0	1	plug m 14 p.1.5
440	04423731	1	oil seal 14 x 18
450	0.900.0801.4	4	ring 11,3 x 2,4 NBR-70-10
460	0.900.1363.4	2	screw
540	0.900.1363.2	1	tube
550	0.900.0282.1	1	pipe union
560	04423731	2	oil seal 14 x 18
570	0.010.2894.2	1	pipng
580	04427560	1	pipe union
590	04436331	1	oil seal 16 x 20
600	0.010.2895.0	1	gasket 14x20
610	0.010.3826.2	1	pipe fitting
620	01118737	1	oil seal 22 x 27
630	0.010.3826.0	1	pipng
640	04415923	1	pipe union 18 DIN 7643
650	01118737	2	oil seal 22 x 27
660	04435710	1	vent

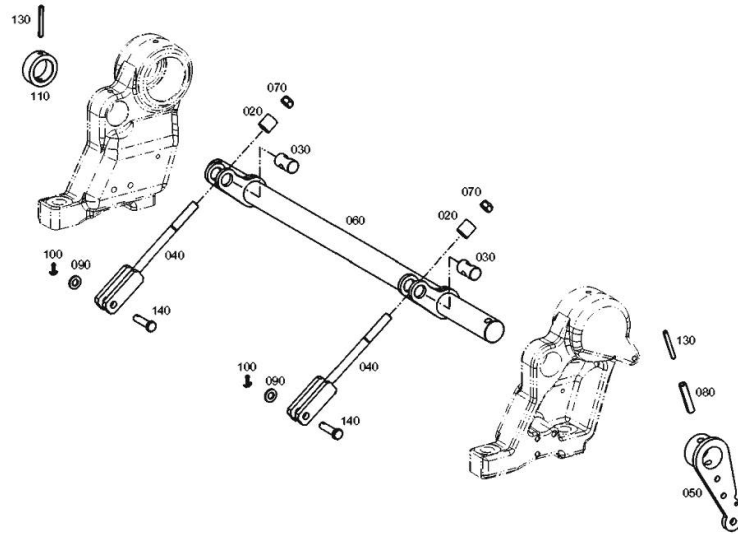
REAR BRAKES - 2093 011 024

Fig.	P/n	QTY	Name
10	04417316	2	oil seal
20	0.900.1239.5	2	cover
30	0.900.0277.9	4	washer
40	0.900.0279.7	16	screw m 12 x 40
50	04428220	2	oil seal 305x4
60	0.900.1583.9	2	transmission brake
60.10	04435741	1	split pin
60.20	04435740	1	pin
60.30	04428551	1	rod
80	0.900.2018.5	2	operation
82	0.900.2124.5	2	breather
90	0.900.0800.9	2	rubber bushing
100	04434557	4	nut m 14 p.1.5
110	0.900.0469.7	6	screw m 10 x 40
120	0.900.1584.6	10	disc
130	0.900.0801.3	2	disc
132	0.900.0946.6	6	thin plate
140	04428545	1	tube sx/lh/li
150	04428546	1	pipng dx/rh/re
160	0.900.0468.2	2	clamp 6x12
170	0.900.0280.1	2	screw m 5 x 25
180	0.900.0470.2	2	nut m 5
220	0.900.0281.6	2	nut



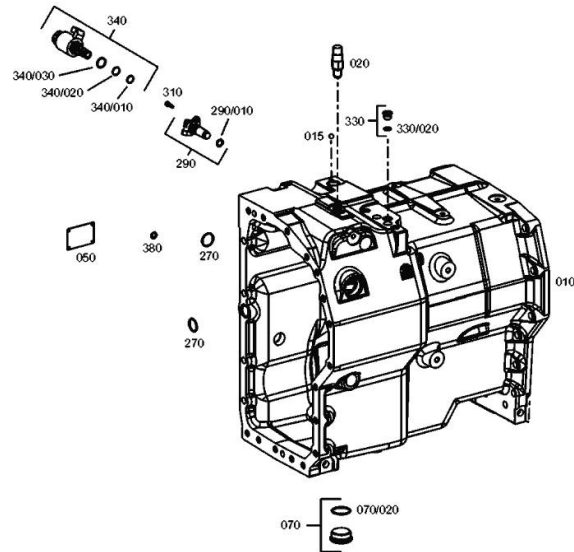
BRAKE CONTROLS - 2093 011 024

Fig.	P/n	QTY	Name
20	0.900.1239.8	2	tube
30	0.900.1239.9	2	pin
40	0.900.2018.6	2	rod
50	0.900.2124.6	1	lever
60	0.900.2018.8	1	shaft
70	0.900.0281.9	2	nut m 12
80	0.900.2018.9	1	pin
90	0.900.0466.9	2	washer
100	0.900.2082.0	2	pin
110	0.900.1240.3	1	spacer
130	0.010.2901.1	2	pin 6x50
140	0.900.2015.9	2	ring



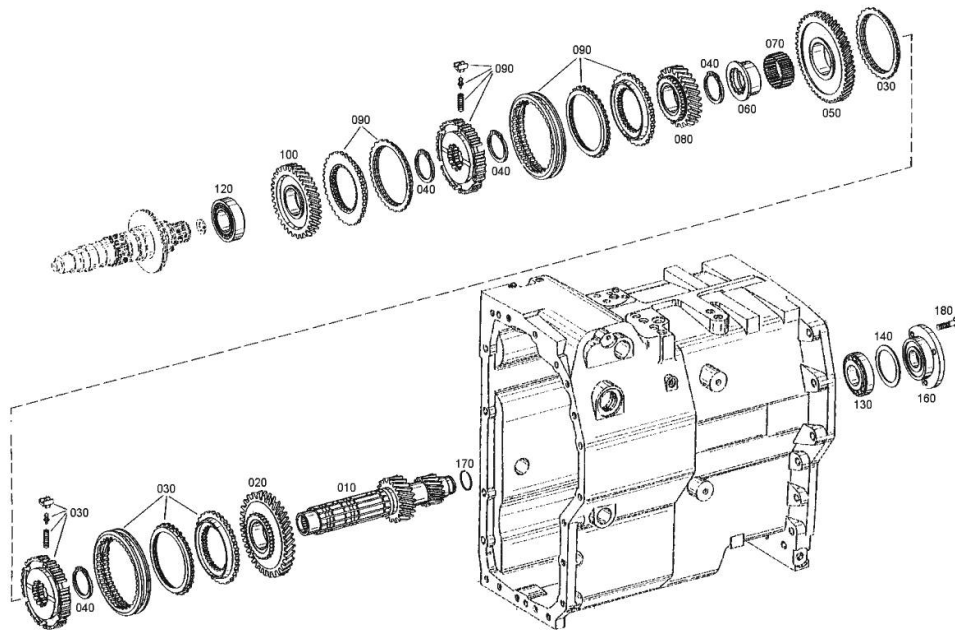
GEARBOX - 2093 011 024

Fig.	P/n	QTY	Name
10	0.900.2048.9	1	gear box
15	04309268	1	ball
20	04416066	1	switch
50	04415260	1	plate
70	04435197	1	plug
70.20	02315144	1	oil seal 38x2.5
270	0.010.3257.2	2	gasket 28x2.5
290	04438450	1	speed sensor L = 53,0mm
290.10	04417747	1	oil seal 15.54x2.62
310	04434551	1	screw m 8 p.1.25 x 20
330	04435199	1	screw
330.20	02315162	1	oil seal 13x2
340	0.900.2094.5	1	solenoid valve
380	01160038	1	oil seal



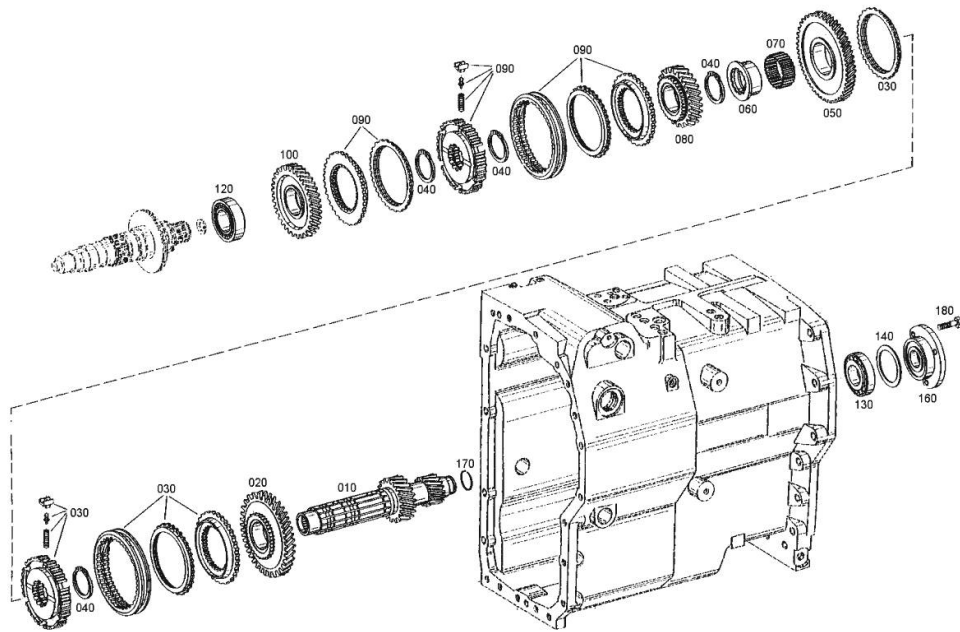
LAYSHAFT - 2093 011 024

Fig.	P/n	QTY	Name
10	0.900.0125.7	1	shaft
20	0.900.1380.7	1	gear Z = 47
30	0.900.0881.6	1	lock synchronizer
40	04415687	4	circlip
50	0.900.1380.8	1	gear Z = 58
60	04417177	1	bush L = 32.3
60	04417178	1	bush L = 32.4
60	04417179	1	bush L = 32.5
60	04417180	1	bush L = 32.6
60	04417181	1	bush L = 32.7
60	04417182	1	bush L = 32.8
70	0.010.2849.1	1	roller cage
80	0.900.1380.6	1	gear
90	0.900.0881.7	1	lock synchronizer
100	0.900.0071.0	1	gear
120	0.010.3759.0	1	roller bearing
130	04415697	1	roller bearing
140	02965988	1	shim mm 2.40
140	04334537	1	shim mm 2.60
140	04334538	1	shim mm 2.55
140	04334539	1	shim mm 2.50
140	04334540	1	shim mm 2.45
140	04334541	1	shim mm 2.35
140	04334542	1	shim mm 2.30
140	04334543	1	shim mm 2.25
140	04334544	1	shim mm 2.20
140	04334545	1	shim mm 2.15
140	04334546	1	shim mm 2.10
140	04334547	1	shim mm 2.05
140	04334548	1	shim mm 2.00
140	04334549	1	shim mm 1.95
140	04334550	1	shim mm 1.90
140	04334551	1	shim mm 1.85
140	04334552	1	shim mm 1.80
140	04334553	1	shim mm 1.75
140	04334554	1	shim mm 1.70
140	04433184	1	shim mm 1.65
140	04433185	1	shim mm 1.60
140	04436332	1	shim mm 1.725
140	04436333	1	shim mm 1.775
140	04436334	1	shim mm 1.875
140	04436335	1	shim mm 1.925
140	04436336	1	shim mm 1.975
160	04415760	1	cover



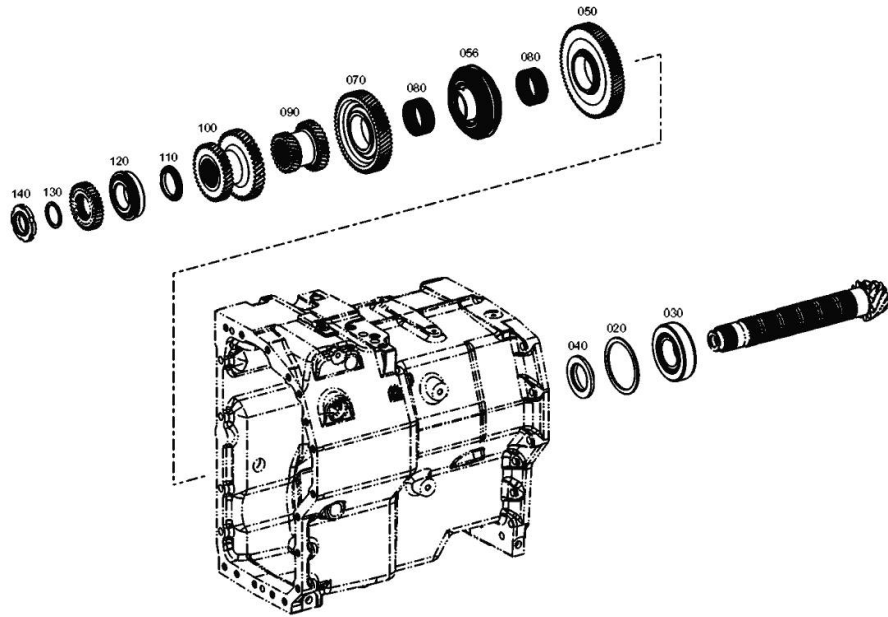
LAYSHAFT - 2093 011 024

Fig.	P/n	QTY	Name
170	04415761	1	ring 35x2
180	0.010.2616.1	3	screw m 10x32



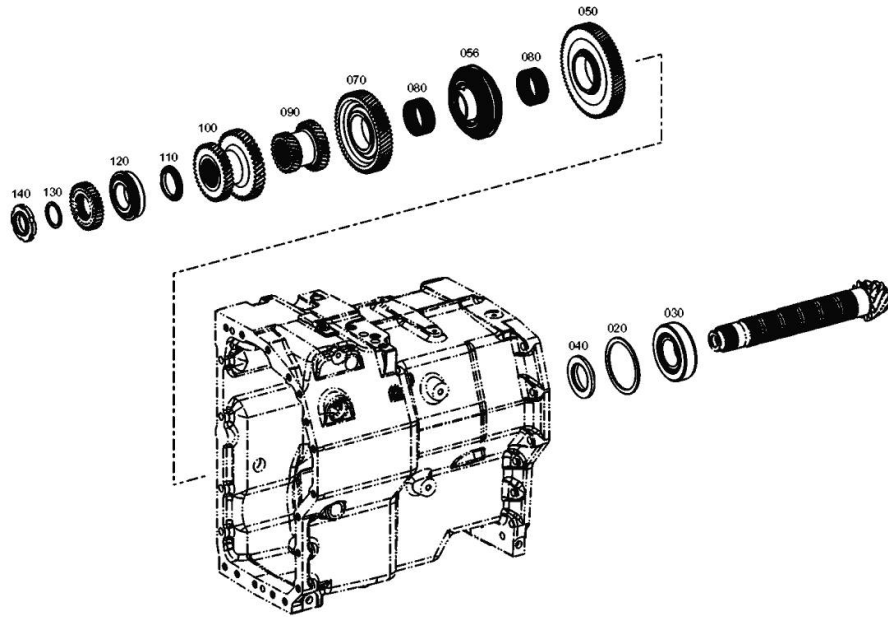
MAIN SHAFT - 2093 011 024

Fig.	P/n	QTY	Name
20	0.010.2849.2	1	shim s = 3.75
20	0.010.2850.0	1	shim s = 3.70
20	0.010.2850.1	1	shim s = 3.65
20	0.010.2850.2	1	shim s = 3.60
20	0.010.2851.0	1	shim s = 3.55
20	0.010.2851.1	1	shim s = 3.50
20	0.010.2851.2	1	shim s = 3.45
20	0.010.2852.0	1	shim s = 3.40
20	0.010.2852.2	1	shim s = 3.77
20	0.900.1459.7	1	shim s = 3.2
20	0.900.1459.8	1	shim s = 3.25
20	0.900.1459.9	1	shim s = 3.3
20	0.900.1460.0	1	shim s = 3.35
20	0.900.1460.1	1	shim s = 3.56
20	0.900.1460.2	1	shim s = 3.57
20	0.900.1460.6	1	shim s = 3.62
20	0.900.1461.0	1	shim s = 3.67
20	0.900.1461.4	1	shim s = 3.72
20	04417170	1	shim s = 3.95
20	04417171	1	shim s = 3.9
20	04417172	1	shim s = 3.85
20	04417173	1	shim s = 3.8
20	04417174	1	shim s = 4.0
20	04417175	1	shim s = 4.05
20	04417176	1	shim s = 4.10
30	0.900.0882.5	1	roller bearing
40	0.900.1459.6	1	slewing ring Z = 46
50	0.900.1381.1	1	gear Z = 75
56	0.010.3840.2	1	lock synchronizer
70	0.900.1380.9	1	gear z = 57
80	04427570	2	roller cage
90	0.900.1381.2	1	gear Z = 31
100	0.900.1381.0	1	gear z=39/41
110	0.010.2858.0	1	shim s = 10.25
110	0.010.2858.1	1	shim s = 10.45
110	0.010.2858.2	1	shim s = 10.50
110	0.010.2859.0	1	shim s = 10.55
110	0.010.2859.1	1	shim s = 10.60
110	04417159	1	shim s = 10.4
110	04417160	1	shim s = 10.3
110	04417161	1	shim s = 10.2
110	04417162	1	shim s = 10.1
110	04417163	1	shim s = 10.0
110	04417164	1	shim s = 9.9



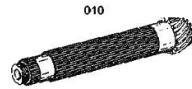
MAIN SHAFT - 2093 011 024

Fig.	P/n	QTY	Name
110	04417165	1	shim s = 9.8
110	04417166	1	shim s = 9.7
110	04417167	1	shim s = 9.6
110	04424444	1	shim s = 9.85
110	04424445	1	shim s = 9.95
110	04424446	1	shim s = 10.05
110	04424447	1	shim s = 10.15
110	04435222	1	shim s = 10.35
120	04416082	1	roller bearing
130	0.010.2859.2	1	shim s = 3.75
130	0.010.2860.0	1	shim s = 3.80
130	0.010.2860.1	1	shim s = 3.85
130	0.010.2860.2	1	shim s = 3.90
130	0.010.2861.0	1	shim s = 3.95
130	0.010.2861.1	1	shim s = 4.00
130	0.900.1462.0	1	shim s = 2.70
130	0.900.1462.1	1	shim s = 2.8
130	04417146	1	shim s = 3.4
130	04417147	1	shim s = 3.35
130	04417148	1	shim s = 3.3
130	04417149	1	shim s = 3.25
130	04417150	1	shim s = 3.2
130	04417151	1	shim s = 3.15
130	04417152	1	shim s = 3.1
130	04417153	1	shim s = 3.45
130	04417154	1	shim s = 3.50
130	04417155	1	shim s = 3.55
130	04417156	1	shim s = 3.60
130	04417157	1	shim s = 3.65
130	04417158	1	shim s = 3.70
130	04424442	1	shim s = 2.90
130	04424443	1	shim s = 3.00
140	04415763	1	ring nut



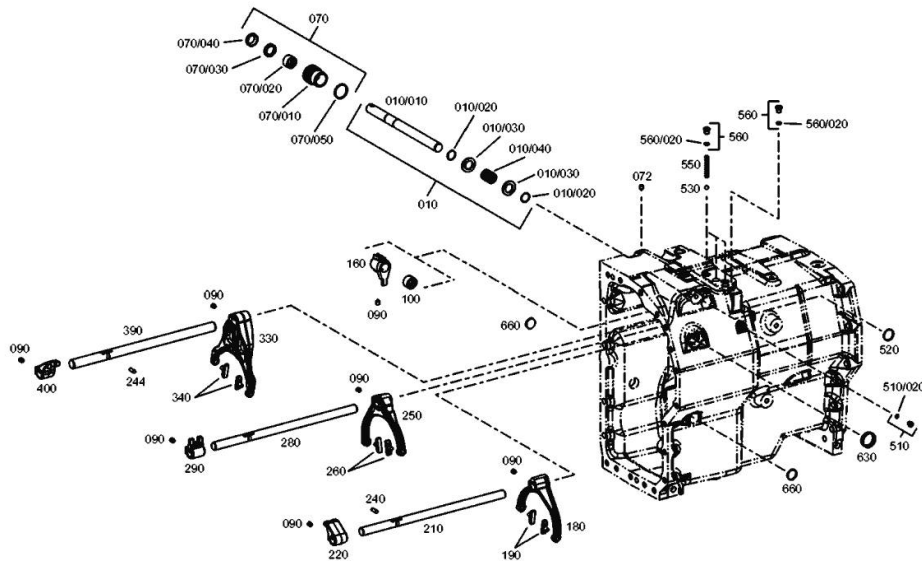
MAIN SHAFT - 2093 011 024

Fig.	P/n	QTY	Name
10	0.900.1385.7	1	shaft



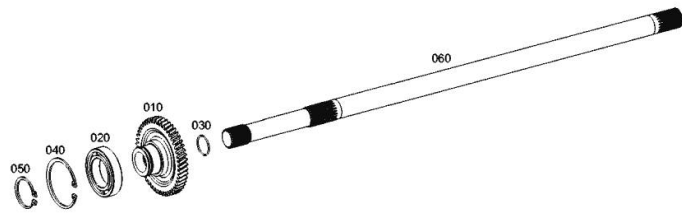
DRIVE - 2093 011 024

Fig.	P/n	QTY	Name
10	0.010.2861.2	1	rod
10.10	04423794	1	rod
10.20	04415766	2	circlip
10.30	04427574	2	washer
10.40	04416140	1	spring
70	0.010.2862.0	1	bushing
70.10	04415769	1	bush
70.20	04415772	1	bearing
70.30	04415773	1	oil seal 25x35x7
70.40	04415774	1	oil seal AS 25x35x7x10
70.50	04416048	1	oil seal 37x3
72	01272647	1	stud bolt L = 13.7
90	01272647	14	stud bolt L = 13.7
100	04415772	1	bearing
160	0.010.3795.2	1	control
180	0.900.0802.4	1	fork
190	04415779	2	shoe
210	0.900.0488.4	1	rod
220	04415781	1	driver
240	04415782	1	pin
244	04415783	1	pin
250	0.900.0802.2	1	fork 3/4
260	04415779	2	shoe
280	0.900.0121.7	1	rod
290	04424424	1	driver A = 4.5
330	0.900.0884.1	1	fork
340	04415779	2	shoe
390	04423250	1	rod
400	04415791	1	driver
510	0.900.1381.4	1	plug
510.20	04415683	1	oil seal 8x1.5
520	04433214	1	cover 32
530	04309268	3	ball
550	0.010.2907.1	3	spring
560	04433215	4	plug
560.20	04415796	1	oil seal 9.5x2
630	01122153	1	cover 42
660	0.010.2863.0	2	cover 30



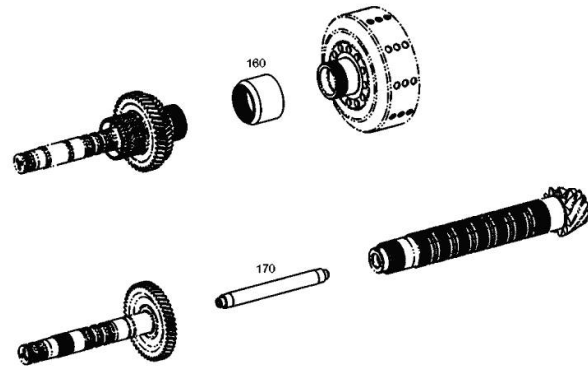
P.T.O. - POWER TAKE OFF - 2093 011 024

Fig.	P/n	QTY	Name
10	0.900.0884.3	1	gear Z = 49
20	04415799	1	ball bearing
30	0.010.2863.1	1	circlip 30
40	0.010.2618.0	1	circlip 75x2.5
50	0.010.2863.2	1	circlip 45x2.5
60	0.900.1432.1	1	shaft z= 22



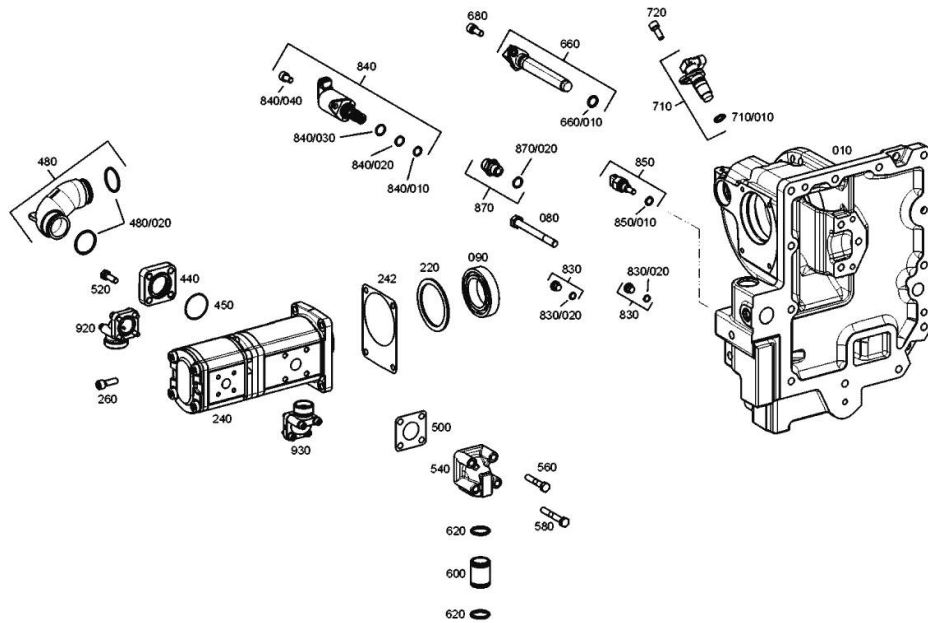
REDUCTION GEAR UNIT - 2093 011 024

Fig.	P/n	QTY	Name
160	04416816	1	bushing
170	04416817	1	tube



PUMP DRIVE - 2093 011 024

Fig.	P/n	QTY	Name
10	0.900.2053.3	1	box
80	0.010.2872.0	1	screw m 10 x 100
90	04415834	1	ball bearing
220	04417130	1	washer mm 3.00
240	0.900.2045.2	1	pump
242	04415921	1	gasket
260	01110576	4	screw
440	0.900.0051.2	1	flange
450	0.900.0051.3	1	oil seal
480	0.900.0051.4	1	manifold
480.20	0.010.3728.0	2	oil seal 33x2.5
500	04415827	1	gasket
520	04434498	4	screw m 8 x 25
540	04415836	1	manifold
560	04434549	2	screw m 8 x 45
580	0.010.3782.2	2	screw m 8 x 55
600	0.900.2050.3	1	tube
620	04415838	2	ring 23X2.5
660	04438436	1	speed sensor L = 125,1mm
660.10	04417747	1	oil seal 15.54x2.62
680	04434551	1	screw m 8 p.1.25 x 20
710	0.010.2874.2	1	speed sensor
710.10	04417747	1	oil seal 15.54x2.62
720	04434551	1	screw m 8 p.1.25 x 20
830	0.900.2136.4	2	plug
830.20	04415683	1	oil seal 8x1.5
840	0.900.0952.8	1	solenoid valve DV
840.10	0.900.1377.6	1	gasket 13 x 1.5
840.20	0.900.1377.5	1	gasket 12,4 x 1,78
840.30	0.900.1377.7	1	gasket 14x1.78
840.40	0.900.1377.8	1	screw m 8 x 16
850	0.900.0800.6	1	temperature gauge
850.10	0.900.0801.6	1	ring 11x2 ZFN 744 FPM-80-10
870	0.900.1381.5	1	vent
870.20	02315162	1	oil seal 13x2
920	0.900.1459.5	1	flange
930	0.900.1466.2	1	flange



PUMP DRIVE - 2093 011 024

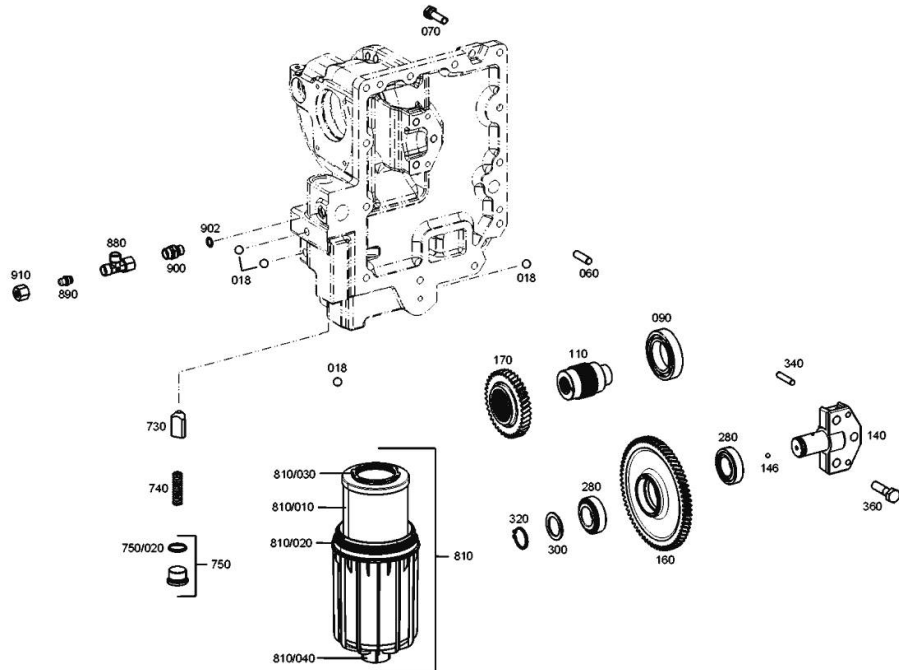


Fig.	P/n	QTY	Name
18	04415830	4	ball 12 mm
60	04415833	2	cylindrical plug 10 m 6x35
70	04434540	11	screw m 10 x 35
90	04415834	1	ball bearing
110	0.900.0488.6	1	bush z=38
140	04415918	1	bearing block
146	04415919	1	ball
160	0.900.0884.6	1	gear z=71
170	0.900.0884.7	1	gear z=39
280	04415821	2	ball bearing
300	04416775	1	shim mm 2.50
300	04416776	1	shim mm 2.00
300	04416777	1	shim mm 2.40
300	04416778	1	shim mm 2.50
300	04417056	1	shim mm 2.10
300	04417115	1	shim mm 2.05
300	04417117	1	shim mm 2.15
300	04417118	1	shim mm 2.20
300	04417119	1	shim mm 2.25
300	04417120	1	shim mm 2.30
300	04417121	1	shim mm 2.35
300	04417123	1	shim mm 2.45
300	04417126	1	shim mm 1.85
300	04417127	1	shim mm 1.90
300	04417128	1	shim mm 1.95
320	0.010.2621.1	1	circlip 30x2
340	04415823	2	screw 8 m 6x36
360	04431795	3	screw
730	0.900.0489.2	1	cone
740	04415955	1	spring
750	04434341	1	plug
750.20	04436328	1	oil seal 23x2
810	0.900.0119.6	1	oil filter
	☞ 0.900.0119.6		hydr.oil filter elem.
810.10	0.900.0374.4	1	gasket
810.20	0.900.0379.1	1	oil seal
810.30	0.900.0466.4	1	plug
810.40	0.900.0466.5	1	plug
880	0.900.2123.7	1	pipe fitting
890	0.900.1638.1	1	plug
900	0.900.0282.2	1	pipe union
902	0.010.2627.1	1	oil seal 11x2
910	04417784	1	nut

Thank you so much for reading.
Please click the “Buy Now!”
button below to download the
complete manual.



After you pay.

You can download the most
perfect and complete manual in
the world immediately.

Our support email:

ebooklibonline@outlook.com