

HYDRAULIC SYSTEM - 2093 011 014

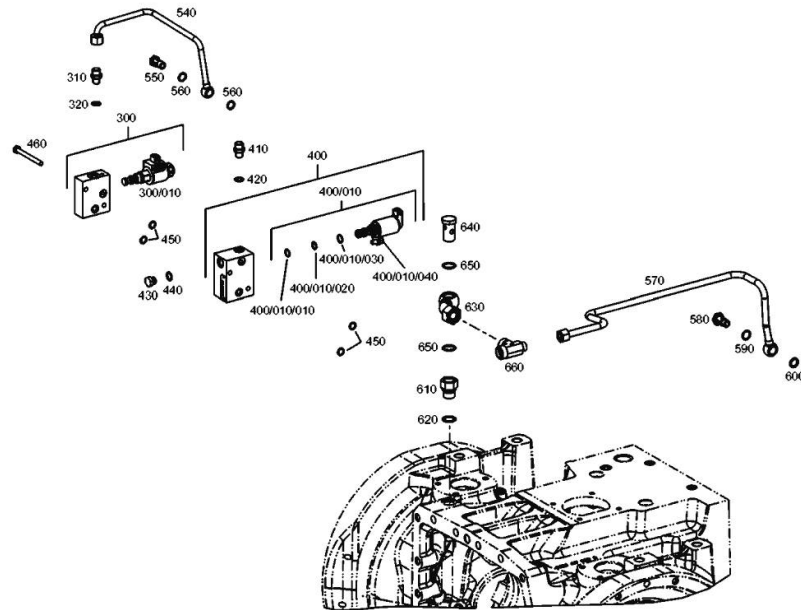
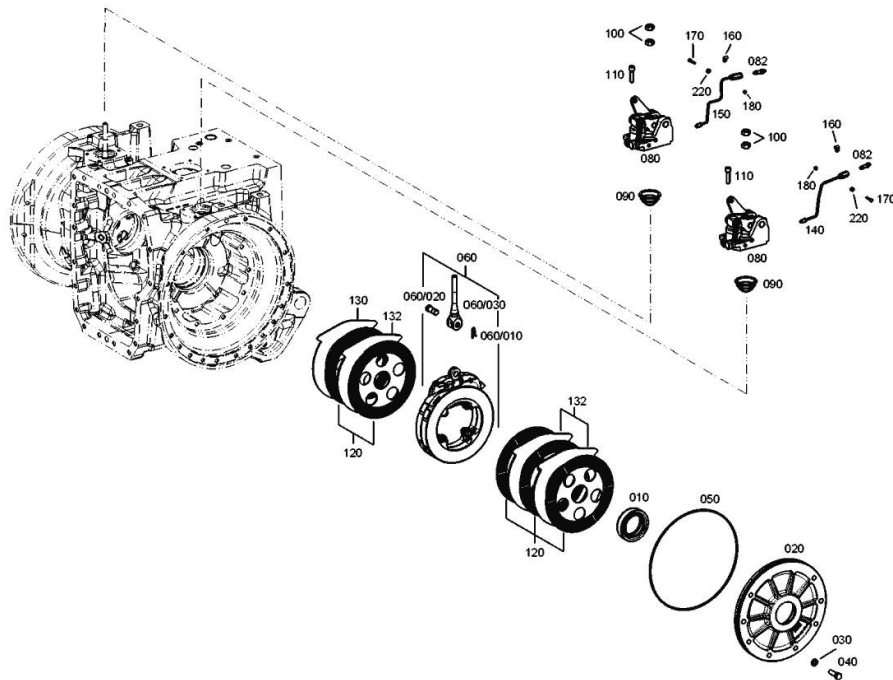


Fig.	P/n	QTY	Name
300	0.900.1363.3	1	small block
300.10	0.900.1384.6	1	solenoid valve
310	04417466	1	pipe fitting
320	04423731	1	oil seal 14 x 18
400	0.900.0952.1	1	control
400.10	0.900.0952.8	1	solenoid valve DV
400.10.10	0.900.1377.6	1	gasket 13 x 1.5
400.10.20	0.900.1377.5	1	gasket 12,4 x 1,78
400.10.30	0.900.1377.7	1	gasket 14x1.78
400.10.40	0.900.1377.8	1	screw m 8 x 16
410	04417466	1	pipe fitting
420	04423731	1	oil seal 14 x 18
430	0.900.0281.0	1	plug m 14 p.1.5
440	04423731	1	oil seal 14 x 18
450	0.900.0801.4	4	ring 11,3 x 2,4 NBR-70-10
460	0.900.1363.4	2	screw
540	0.900.1363.2	1	tube
550	0.900.0282.1	1	pipe union
560	04423731	2	oil seal 14 x 18
570	0.010.2894.2	1	piping
580	04427560	1	pipe union
590	04436331	1	oil seal 16 x 20
600	0.900.0290.6	1	circlip
610	0.010.3826.2	1	pipe fitting
620	01118737	1	oil seal 22 x 27
630	0.010.3826.0	1	piping
640	04415923	1	pipe union 18 DIN 7643
650	01118737	2	oil seal 22 x 27
660	04435710	1	vent

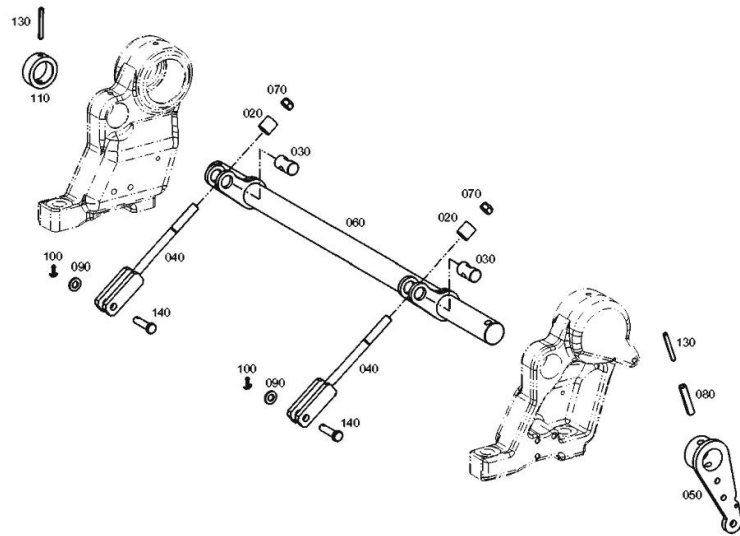
REAR BRAKES - 2093 011 014

Fig.	P/n	QTY	Name
10	04417316	2	oil seal
20	0.900.1239.5	2	cover
30	0.900.0277.9	4	washer
40	0.900.2018.4	16	screw
50	04428220	2	oil seal 305x4
60	0.900.1583.9	2	transmission brake
60.10	04435741	1	split pin
60.20	04435740	1	pin
60.30	04428551	1	rod
80	0.900.2018.5	2	operation
82	0.900.2124.5	2	breather
90	0.900.0800.9	2	rubber bushing
100	0.900.2019.0	4	nut
110	0.900.0469.7	6	screw m 10 x 40
120	0.900.1584.6	10	disc
130	0.900.0801.3	2	disc
132	0.900.0946.6	6	thin plate
140	04428545	1	tube sx/lh/li
150	04428546	1	pipng dx/rh/re
160	0.900.0468.2	2	clamp 6x12
170	0.900.0280.1	2	screw m 5 x 25
180	0.900.0470.2	2	nut m 5
220	0.900.0281.6	2	nut



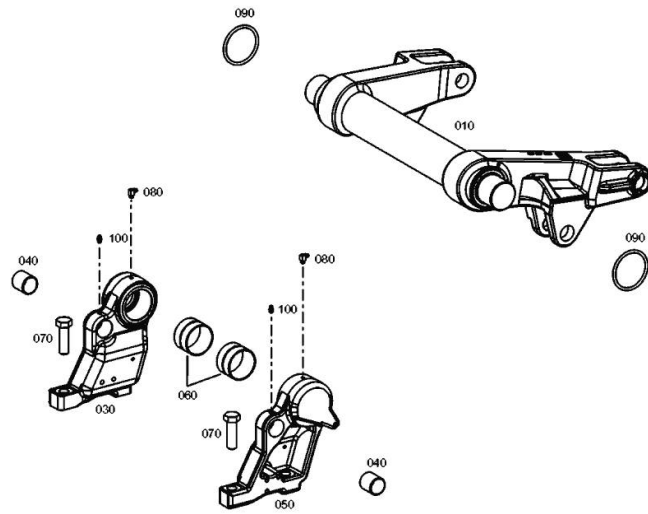
BRAKE CONTROLS - 2093 011 014

Fig.	P/n	QTY	Name
20	0.900.1239.8	2	tube
30	0.900.1239.9	2	pin
40	0.900.2018.6	2	rod
50	0.900.2124.6	1	lever
60	0.900.2018.8	1	shaft
70	0.900.0281.9	2	nut m 12
80	0.900.2018.9	1	pin
90	0.900.0466.9	2	washer
100	0.900.2082.0	2	pin
110	0.900.1240.3	1	spacer
130	0.010.2901.1	2	pin 6x50
140	0.900.2015.9	2	ring



LIFTING - 2093 011 014

Fig.	P/n	QTY	Name
10	0.900.0883.4	1	shaft
30	0.900.1407.9	1	bearing block dx/rh/re
40	0.900.1431.3	2	bearing
50	0.900.1408.0	1	bearing block sx/lh/li
60	04417549	2	special bushing
70	0.900.0469.1	4	screw m 20x65
80	0.900.0498.6	2	grease gun
90	04417552	2	ring 78.5x6
100	0.010.2922.2	2	grease gun m 8 p.1 x 8



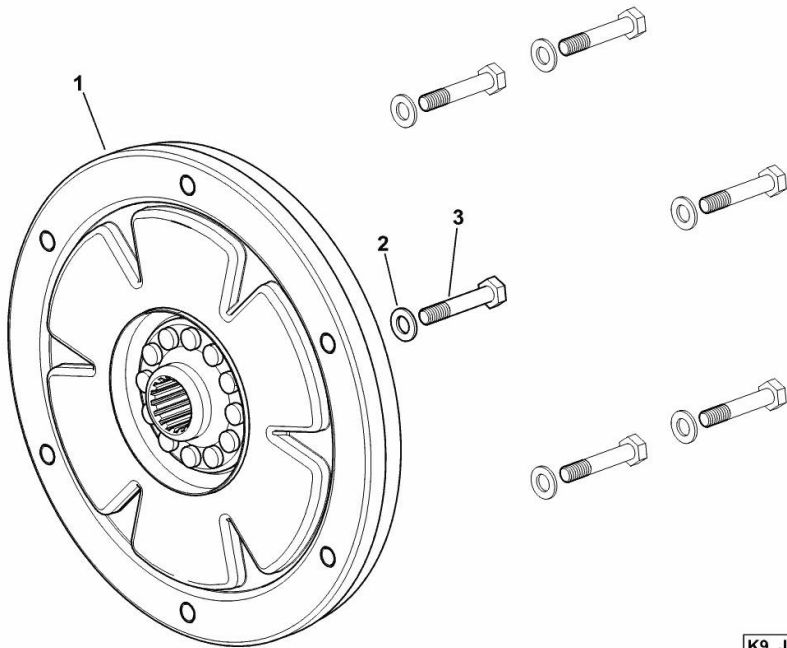
FLEXIBLE COUPLINGS

Fig.	P/n	QTY	Name
------	-----	-----	------

Notes:

[Fortis 180 ->WSXU280200LS50010] 50010 <-

1	04438731.4	1	vibration damper
2	2.1475.003.2	6	washer 10
3	2.0113.320.7	6	screw m 10 p.1.5 x 55



K9_J6630_02_0-A-001

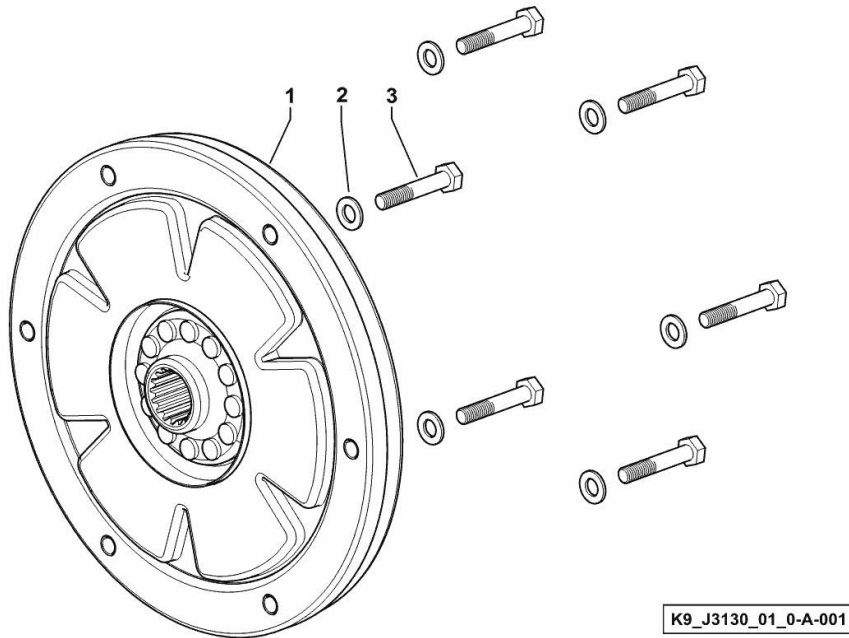
FLEXIBLE COUPLINGS

Fig.	P/n	QTY	Name
------	-----	-----	------

Notes:

[Fortis 180 ->WSXU280200LS50010] -> 50011

1	0.015.4319.4	1	vibration damper
2	2.1475.003.2	6	washer 10
3	2.0113.320.7	6	screw m 10 p.1.5 x 55



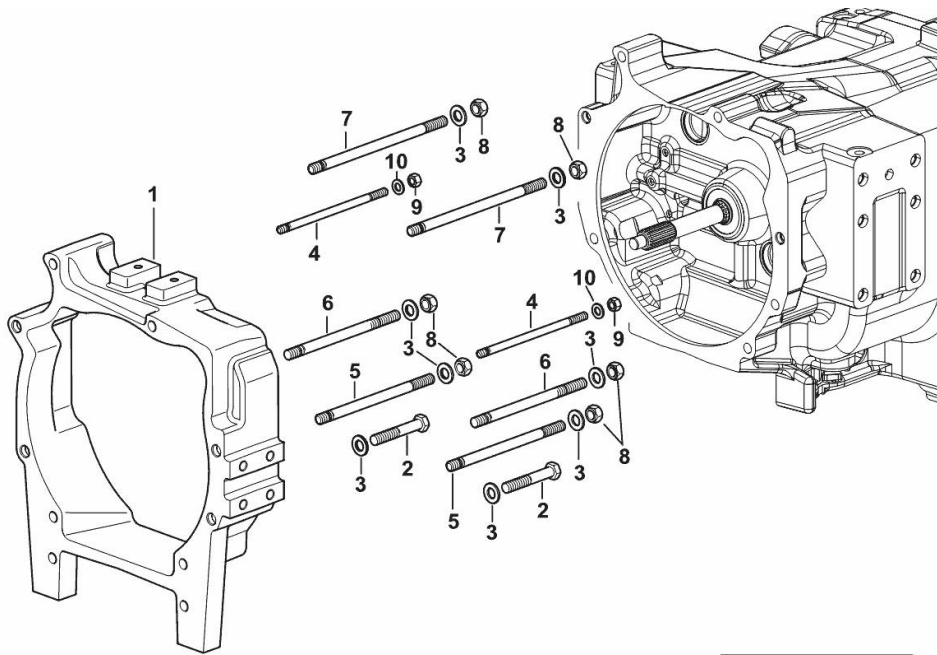
FIXING PARTS - MOTOR - GEARS

Fig.	P/n	QTY	Name
------	-----	-----	------

Notes:

[Fortis 180 ->WSXU280200LS50010]

1	04455205/10	1	flange
2	2.0113.629.2	2	screw m 16 p.2x100
3	2.1475.106.7	8	washer 17x32
4	2.0439.281.7/10	2	stud bolt m 12 p.1.75-1.25x238
5	2.0439.282.7/10	2	stud bolt m 16 p.2-1.5x252
6	2.0439.296.7/10	2	stud bolt m 16 p.2-1.5x242
7	2.0439.283.7/10	2	stud bolt m 16 p.2-1.5x297
8	2.1012.409.7	6	nut m 16
9	2.1011.422.2	2	nut m 12 p.1.25
10	2.1475.104.7	2	washer 13 x 24



K9_J6631_03_0-A-001

CONNECTING PLATE mm 20

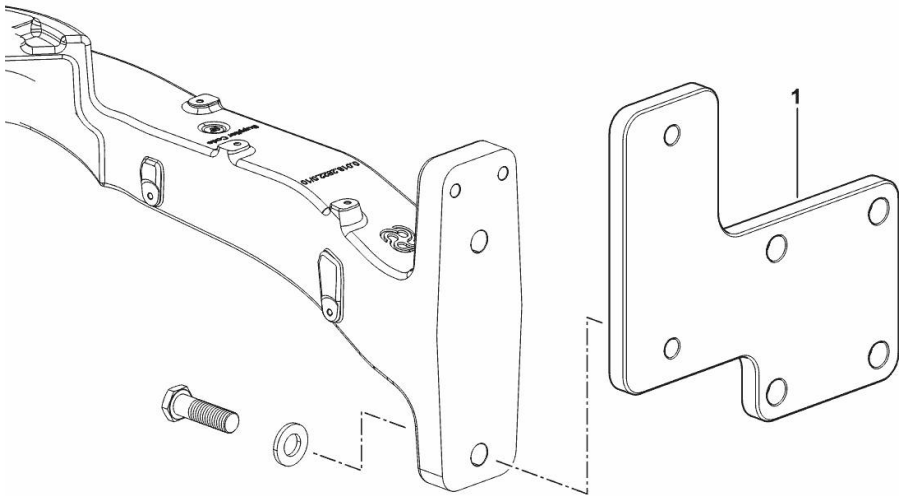
Fig.	P/n	QTY	Name
------	-----	-----	------

Notes:

[Fortis 180 ->WSXU280200LS50010]

1	0.017.7992.0	1	spacer dx/rh/re
---	--------------	---	-----------------

K9_U1556_02_0-A-001



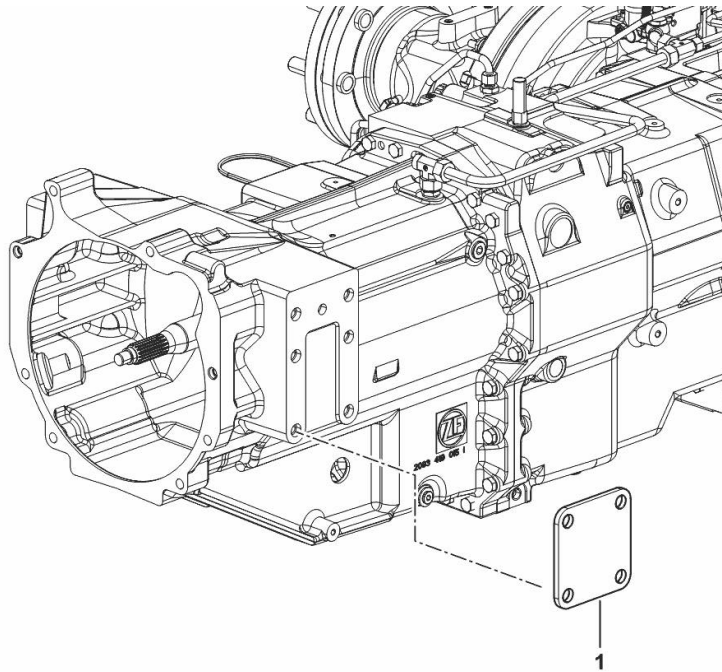
SEPARATOR mm 10

Fig.	P/n	QTY	Name
------	-----	-----	------

Notes:

[Fortis 180 ->WSXU280200LS50010]

1	0.018.8096.0	1	spacer mm 10
---	--------------	---	--------------



K9_U1556_04_0-A-001

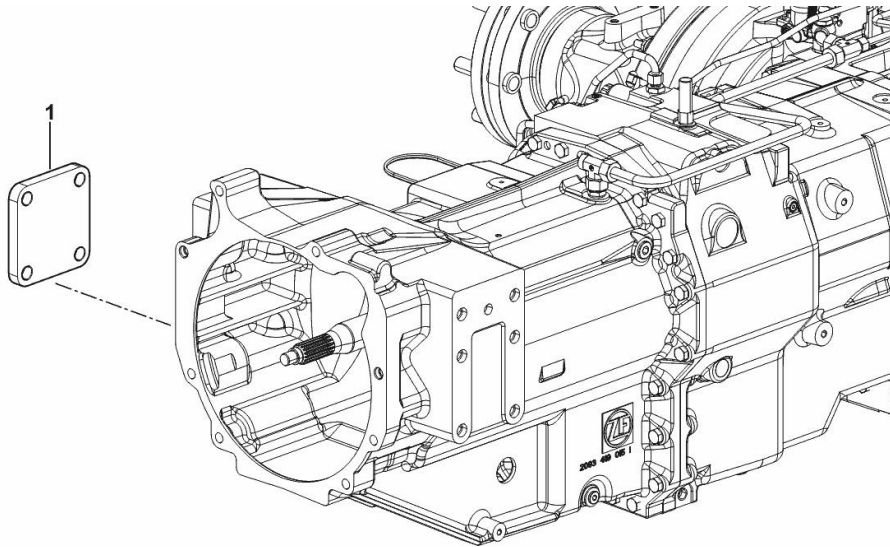
CONNECTING PLATE mm 20

Fig.	P/n	QTY	Name
------	-----	-----	------

Notes:

[Fortis 180 ->WSXU280200LS50010]

1	0.018.8192.0	1	spacer
---	--------------	---	--------



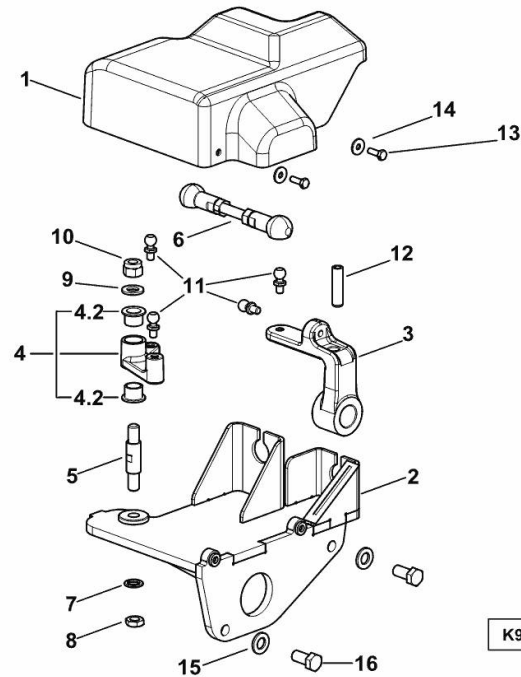
K9_U1556_03_0-A-001

GEAR SHIFTING

Fig.	P/n	QTY	Name
------	-----	-----	------

Notes:

[Fortis 180 ->WSXU280200LS50010] 50010 <-



K9_J3164_04_0-A-001

1	0.016.3928.0/10	1	cover
2	0.016.5459.2/20	1	support
3	0.016.3972.0/20	1	lever
4	0.016.3962.4	1	lever
4.2	2.1559.276.0/10	2	special bushing 16x20x15
5	0.016.2711.0/10	1	pin
6	0.016.3969.4/10	1	rod
7	2.1474.011.2	1	spring washer 12
8	2.1011.107.2	1	nut m 12 p.1.75
9	2.1310.007.2	1	flat washer 13 x 24
10	2.1120.007.2	1	self-locking nut m 12 p.1.75
11	0.014.1947.0	4	small pin
12	2.1630.916.2	1	pin 12x45
13	2.0112.006.2	2	screw m 6 p.1 x 18
14	2.1312.003.2	2	washer 6
15	2.1475.104.6	2	screw 13 x 24
16	2.0114.409.2	2	screw m 12 x 25

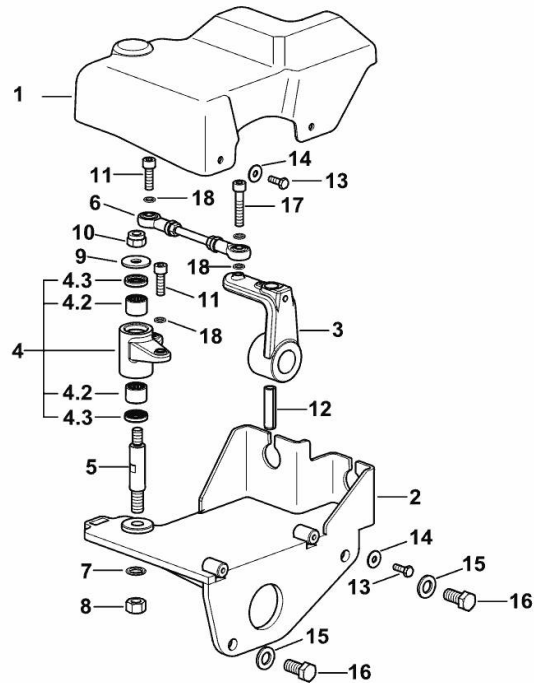
GEAR SHIFTING

Fig.	P/n	QTY	Name
------	-----	-----	------

Notes:

[Fortis 180 ->WSXU280200LS50010] -> 50011

1	0.019.4943.0	1	cover
2	0.016.5459.2/20	1	support
3	0.019.5033.0	1	lever
4	0.019.5053.4	1	lever
4.2	2.2725.020.0	2	roller cage 16x22x16
4.3	2.1519.078.0	2	special oil seal 16 x 24 x 6
5	0.016.2711.0/20	1	pin
6	0.019.4543.4	1	stay
7	2.1474.011.2	1	spring washer 12
8	2.1011.107.2	1	nut m 12 p.1.75
9	2.1312.005.2	1	washer 10.2
10	2.1120.006.2	1	nut m 10 p.1.5
11	2.0312.208.2	2	screw m 8 p.1.25 x 25
12	2.1630.916.2	1	pin 12x45
13	2.0112.006.2	2	screw m 6 p.1 x 18
14	2.1312.003.2	2	washer 6
15	2.1475.104.6	2	screw 13 x 24
16	2.0114.409.2	2	screw m 12 x 25
17	2.0312.214.2	1	screw m 8 p.1.25 x 40
18	2.1549.780.2	4	washer



K9_J3164_04_0-A-002

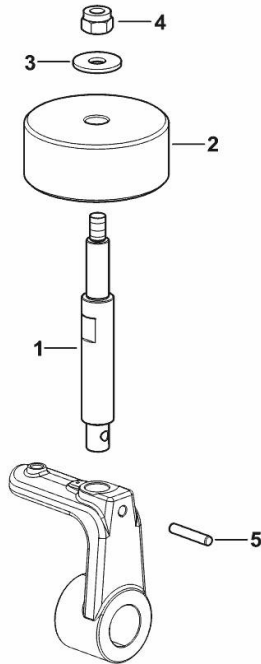
GEAR SHIFTING

Fig.	P/n	QTY	Name
------	-----	-----	------

Notes:

[Fortis 180 ->WSXU280200LS50010]

1	0.019.5035.0/10	1	pin
2	0.019.4933.0/10	1	mass
3	2.1312.005.2	1	washer 10.2
4	2.1120.006.2	1	nut m 10 p.1.5
5	2.1659.533.2	1	pin



K9_U1564_01_0-A-001

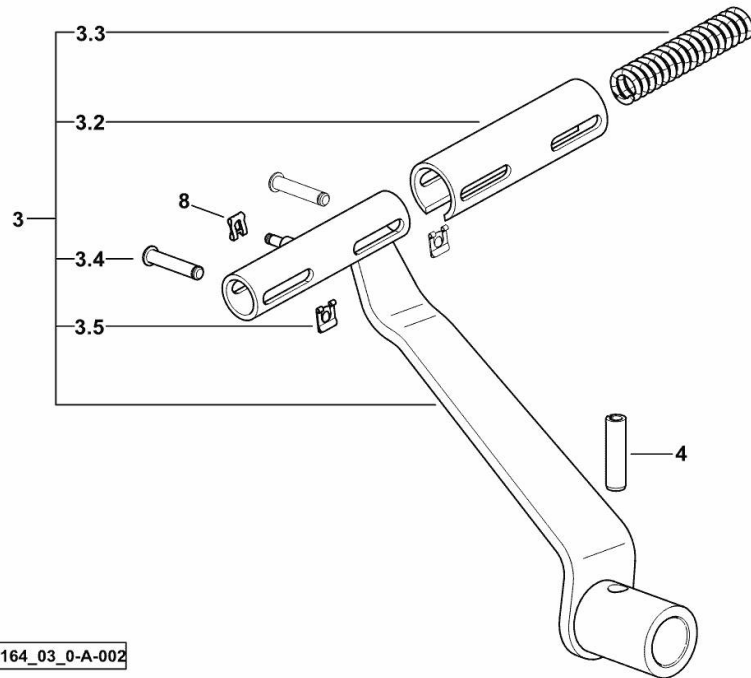
SUPER-REDUCTION CONTROL

Fig.	P/n	QTY	Name
------	-----	-----	------

Notes:

[Fortis 180 ->WSXU280200LS50010]

3	0.017.9592.4/10	1	lever
3.2	04414554.4	1	tube
3.3	04414549	1	spring
3.4	04414557	2	pin
3.5	01175655	2	stop
4	2.1630.916.2	1	pin 12x45
8	01175725	1	clip 6, d128



K9_R5164_03_0-A-002

Thank you so much for reading.
Please click the “Buy Now!”
button below to download the
complete manual.



After you pay.

You can download the most
perfect and complete manual in
the world immediately.

Our support email:

ebooklibonline@outlook.com