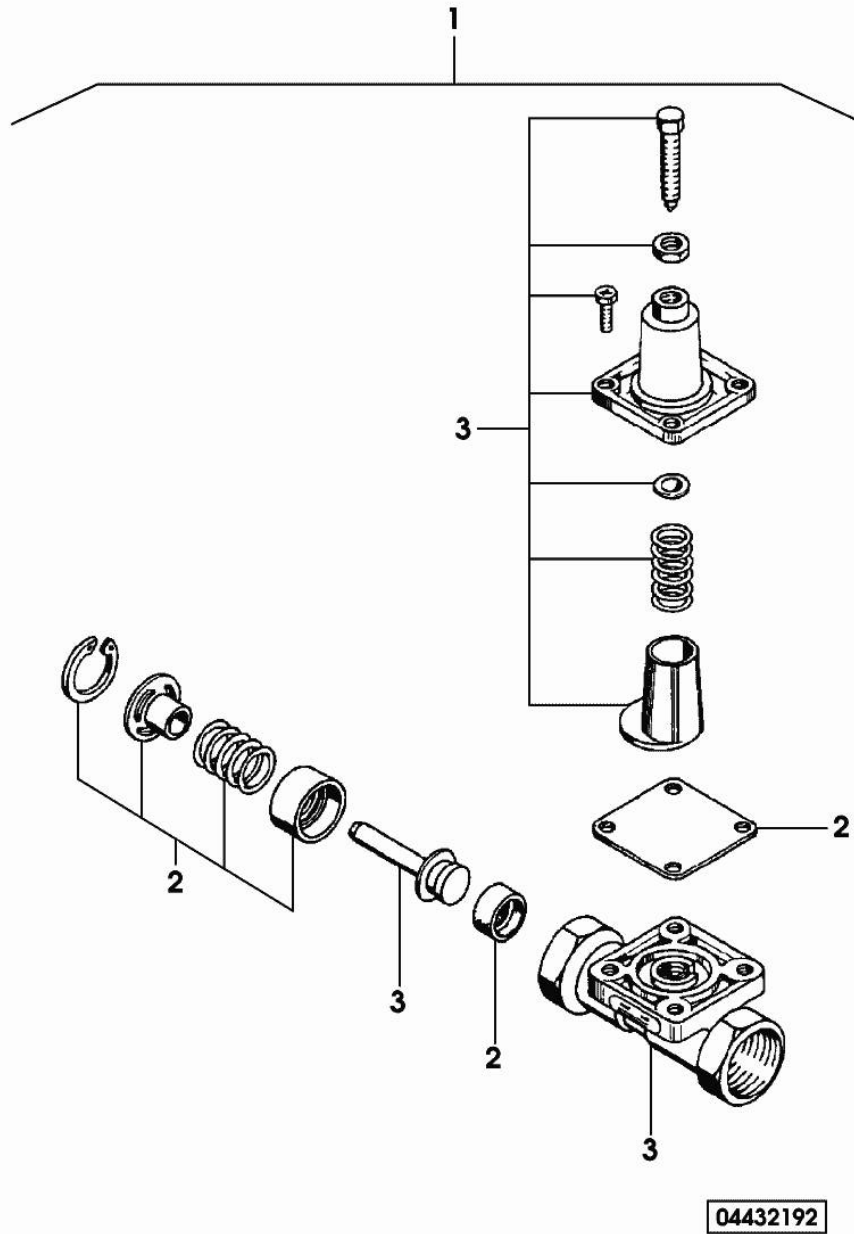


**PRESSURE CONTROL VALVE**

Fig.	P/n	QTY	Name
1	04432192	1	valve
2	0.900.0460.1	1	spare parts kit
3	0.000.0000.1		cannot be supplied

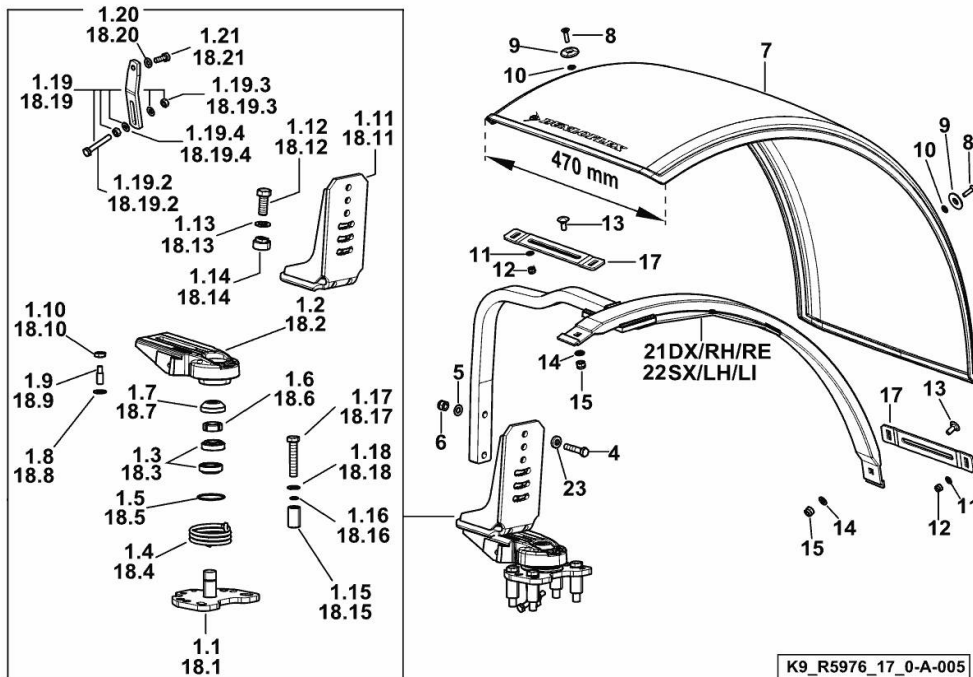


**SELF-ADJUSTING FRONT FENDERS mm 470**

Fig.	P/n	QTY	Name
------	-----	-----	------

**Notes:**

- FOR STEERING FRONT MUDGUARDS [Fortis 180 Infinity ->WSXU320200LS50010]



1.1	0.018.7702.3	1	support
1.2	0.014.4436.0/10	1	hub
1.3	2.2999.516.0	2	bearing
1.4	2.4099.142.2	1	spring dx/rh/re
1.5	2.1530.125.0	1	oil seal 50.47x2.62
1.6	2.1219.073.2	1	ring nut
1.7	0.018.2881.0	1	cover
1.8	2.0599.113.2	1	grub screw m 14 p.1.5
1.9	2.1475.005.2	1	washer 14
1.10	2.1011.508.2	1	nut m 14 p.1.5
1.11	0.018.2880.2	1	support
1.12	2.0123.715.2	1	screw m 18 p.1.5x40
1.13	0.018.7705.0	1	bush m18x1,5
1.14	2.1310.011.2	1	flat washer 19x34
1.15	2.1549.697.2	4	spacer 19x27x45
1.16	2.1530.033.0	4	oil seal 13.10x2.62
1.17	2.0112.625.2	4	screw m 16 p.2x80
1.18	2.1310.010.2	4	flat washer 17x30
1.19	0.018.6859.3	1	stop
1.19.2	2.0114.321.2	1	screw m 10 p.1.5x70
1.19.3	2.1011.106.2	2	nut m 10 p.1.5
1.19.4	2.1475.103.2	2	washer 10.5
1.20	2.0122.361.2	1	screw m 10 p 1.25 x 30
1.21	2.1310.006.2	1	flat washer 10.5x21
4	2.0112.420.2	4	screw m 12 p.1.75x55
5	2.1011.107.2	8	nut m 12 p.1.75
6	2.1120.007.2	4	self-locking nut m 12 p.1.75
7	0.020.5209.0	2	fender mm 470
8	2.0349.004.0	8	screw m 8 p.1.25 x 30
9	2.1399.020.0/10	8	washer
10	2.1310.004.2	10	flat washer 8.4x17
11	2.1475.002.2	8	conical washer 8
12	2.1120.005.2	8	nut m 8 p.1.25
13	2.0020.306.2	4	screw m 10 x 25
14	2.1475.003.2	4	washer 10
15	2.1120.006.2	4	nut m 10 p.1.5
17	0.019.4607.0	4	plate
18.1	0.018.7702.3	1	support
18.2	0.014.4436.0/10	1	hub
18.3	2.2999.516.0	2	bearing
18.4	2.4099.143.2	1	spring sx/lh/li

**SELF-ADJUSTING FRONT FENDERS mm 470**

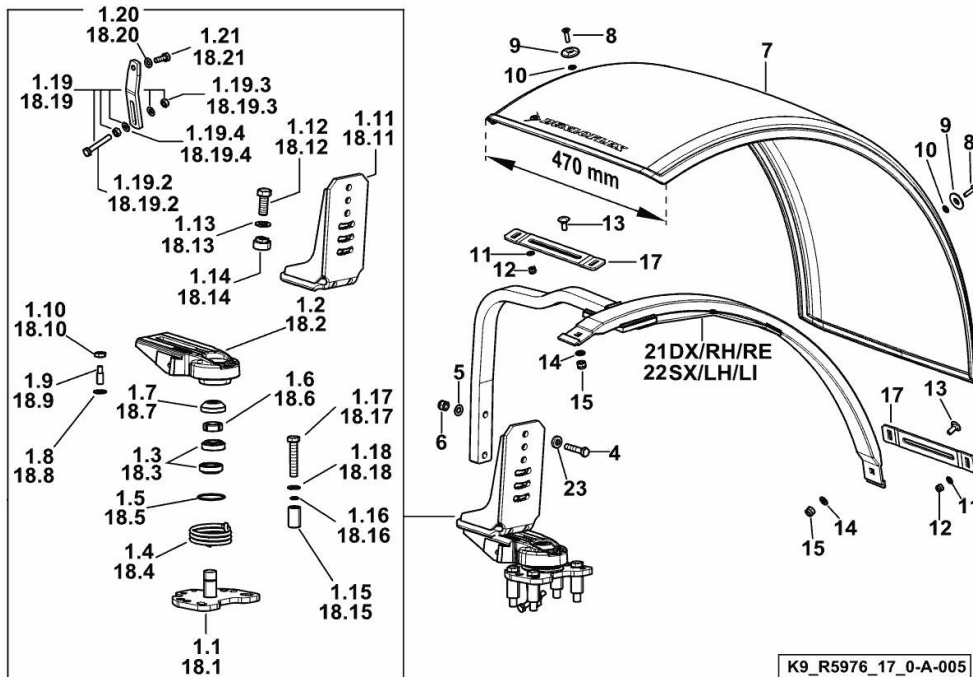
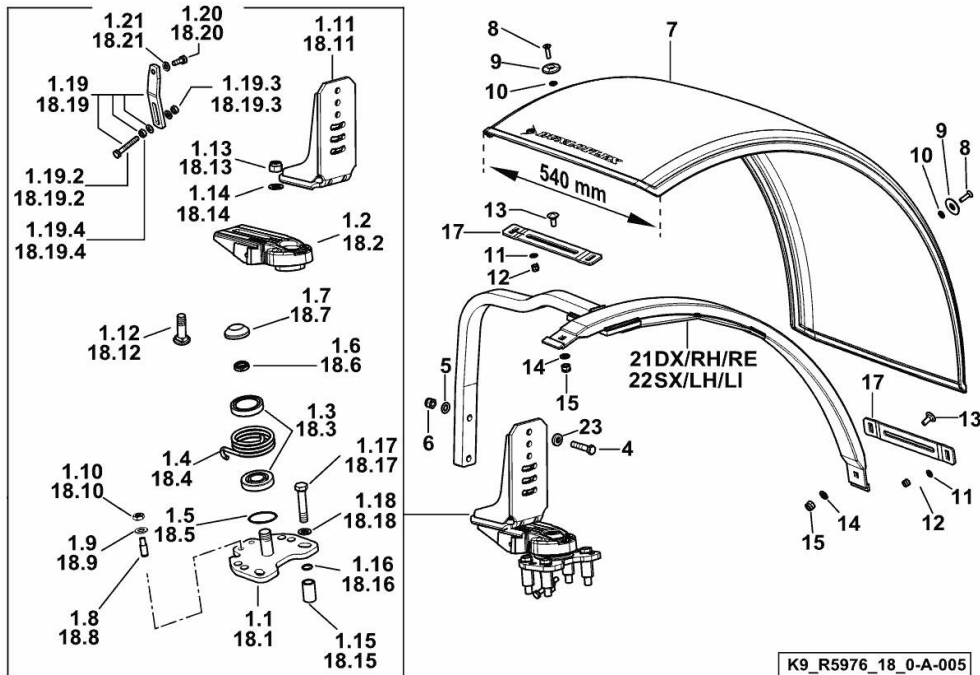


Fig.	P/n	QTY	Name
18.5	2.1530.125.0	1	oil seal 50.47x2.62
18.6	2.1219.073.2	1	ring nut
18.7	0.018.2881.0	1	cover
18.8	2.0599.113.2	1	grub screw m 14 p.1.5
18.9	2.1475.005.2	1	washer 14
18.10	2.1011.508.2	1	nut m 14 p.1.5
18.11	0.018.2880.2	1	support
18.12	2.0123.715.2	1	screw m 18 p.1.5x40
18.13	0.018.7705.0	1	bush m18x1,5
18.14	2.1310.011.2	1	flat washer 19x34
18.15	2.1549.697.2	4	spacer 19x27x45
18.16	2.1530.033.0	4	oil seal 13.10x2.62
18.17	2.0112.625.2	4	screw m 16 p.2x80
18.18	2.1310.010.2	4	flat washer 17x30
18.19	0.018.6859.3	1	stop
18.19.2	2.0114.321.2	1	screw m 10 p.1.5x70
18.19.3	2.1011.106.2	2	nut m 10 p.1.5
18.19.4	2.1475.103.2	2	washer 10.5
18.20	2.0122.361.2	1	screw m 10 p.1.25 x 30
18.21	2.1310.006.2	1	flat washer 10.5x21
21	0.019.2719.3/10	1	support dx/rh/re
22	0.019.2720.3/10	1	support sx/lh/li
23	01174738	4	flat washer 12.5x26x6



**SELF-ADJUSTING FRONT FENDERS mm 540**



K9\_R5976\_18\_0-A-005

Fig.	P/n	QTY	Name
18.5	2.1530.125.0	1	oil seal 50.47x2.62
18.6	2.1219.073.2	1	ring nut
18.7	0.018.2881.0	1	cover
18.8	2.0599.113.2	1	grub screw m 14 p.1.5
18.9	2.1475.005.2	1	washer 14
18.10	2.1011.508.2	1	nut m 14 p.1.5
18.11	0.018.2880.2	1	support
18.12	2.0123.715.2	1	screw m 18 p.1.5x40
18.13	0.018.7705.0	1	bush m18x1,5
18.14	2.1310.011.2	1	flat washer 19x34
18.15	2.1549.697.2	4	spacer 19x27x45
18.16	2.1530.033.0	4	oil seal 13.10x2.62
18.17	2.0112.625.2	4	screw m 16 p.2x80
18.18	2.1310.010.2	4	flat washer 17x30
18.19	0.018.6859.3	1	stop
18.19.2	2.0114.321.2	1	screw m 10 p.1.5x70
18.19.3	2.1011.106.2	2	nut m 10 p.1.5
18.19.4	2.1475.103.2	2	washer 10.5
18.20	2.0122.361.2	1	screw m 10 p.1.25 x 30
18.21	2.1310.006.2	1	flat washer 10.5x21
21	0.019.2719.3/10	1	support dx/rh/re
22	0.019.2720.3/10	1	support sx/lh/li
23	01174738	4	flat washer 12.5x26x6

**SELF-ADJUSTING FRONT FENDERS mm 620**

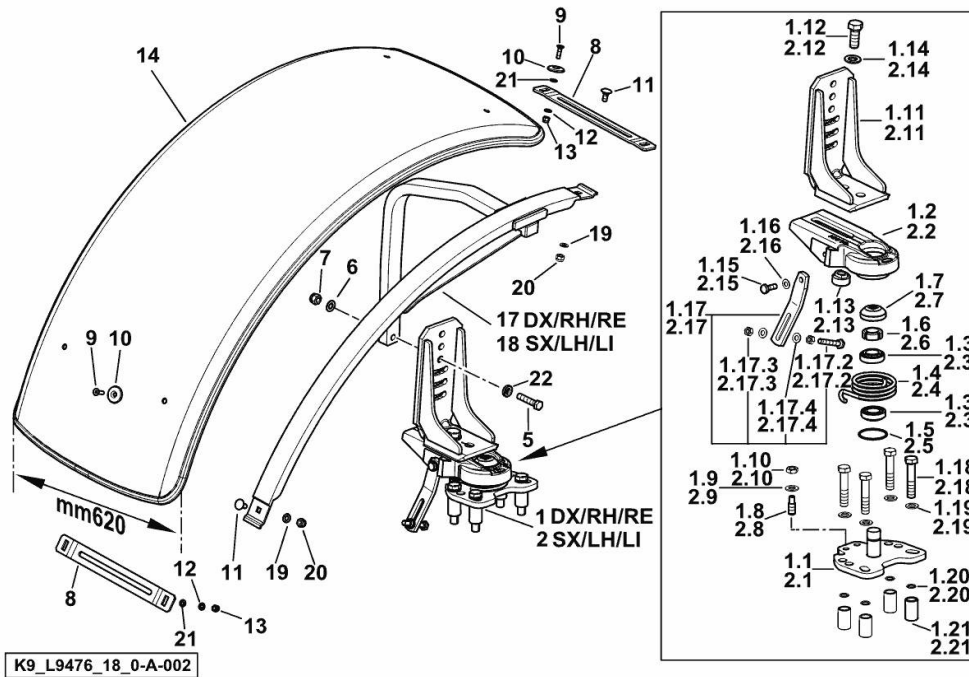


Fig.	P/n	QTY	Name
------	-----	-----	------

**Notes:**

- FOR STEERING FRONT MUDGUARDS [Fortis 180 Infinity ->WSXU320200LS50010]

1	0.014.8648.4/50	1	support dx/rh/re
1.1	0.018.7702.3	1	support
1.2	0.014.4436.0/10	1	hub
1.3	2.2999.516.0	2	bearing
1.4	2.4099.142.2	1	spring dx/rh/re
1.5	2.1530.125.0	1	oil seal 50.47x2.62
1.6	2.1219.073.2	1	ring nut
1.7	0.018.2881.0	1	cover
1.8	2.0599.113.2	1	grub screw m 14 p.1.5
1.9	2.1475.005.2	1	washer 14
1.10	2.1011.508.2	1	nut m 14 p.1.5
1.11	0.018.2880.2	1	support
1.12	2.0123.715.2	1	screw m 18 p.1.5x40
1.13	0.018.7705.0	1	bush m18x1,5
1.14	2.1310.011.2	1	flat washer 19x34
1.15	2.0122.361.2	1	screw m 10 p 1.25 x 30
1.16	2.1310.006.2	1	flat washer 10.5x21
1.17	0.018.6859.3	1	stop
1.17.2	2.0114.323.2	1	screw
1.17.3	2.1011.106.2	2	nut m 10 p.1.5
1.17.4	2.1475.103.2	2	washer 10.5
1.18	2.0112.625.2	4	screw m 16 p.2x80
1.19	2.1310.010.2	4	flat washer 17x30
1.20	2.1530.033.0	4	oil seal 13.10x2.62
1.21	2.1549.697.2	4	spacer 19x27x45
2	0.014.8651.4/50	1	support sx/lh/li
2.1	0.018.7702.3	1	support
2.2	0.014.4436.0/10	1	hub
2.3	2.2999.516.0	2	bearing
2.4	2.4099.143.2	1	spring sx/lh/li
2.5	2.1530.125.0	1	oil seal 50.47x2.62
2.6	2.1219.073.2	1	ring nut
2.7	0.018.2881.0	1	cover
2.8	2.0599.113.2	1	grub screw m 14 p.1.5
2.9	2.1475.005.2	1	washer 14
2.10	2.1011.508.2	1	nut m 14 p.1.5
2.11	0.018.2880.2	1	support
2.12	2.0123.715.2	1	screw m 18 p.1.5x40
2.13	0.018.7705.0	1	bush m18x1,5
2.14	2.1310.011.2	1	flat washer 19x34
2.15	2.0122.361.2	1	screw m 10 p 1.25 x 30

**SELF-ADJUSTING FRONT FENDERS mm 620**

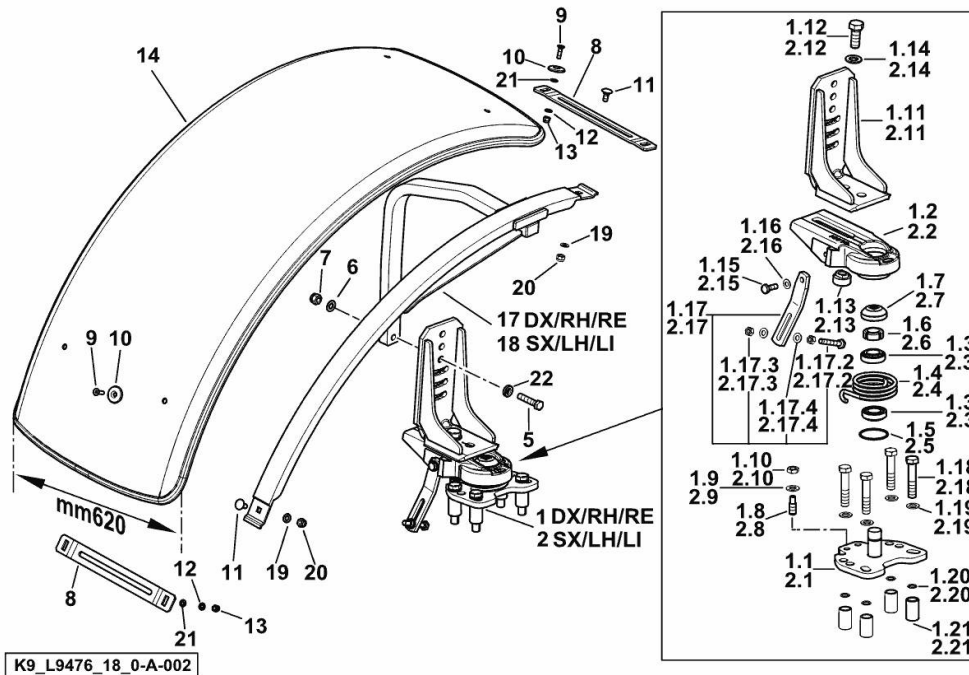


Fig.	P/n	QTY	Name
2.16	2.1310.006.2	1	flat washer 10.5x21
2.17	0.018.6859.3	1	stop
2.17.2	2.0114.323.2	1	screw
2.17.3	2.1011.106.2	2	nut m 10 p.1.5
2.17.4	2.1475.103.2	2	washer 10.5
2.18	2.0112.625.2	4	screw m 16 p.2x80
2.19	2.1310.010.2	4	flat washer 17x30
2.20	2.1530.033.0	4	oil seal 13.10x2.62
2.21	2.1549.697.2	4	spacer 19x27x45
5	2.0112.421.2	2	screw m 12 p.1.75 x 60
6	2.1475.004.2	4	spring washer 12
7	2.1120.007.2	2	self-locking nut m 12 p.1.75
8	0.014.7167.0	4	support
9	2.0349.004.0	8	screw m 8 p.1.25 x 30
10	2.1399.020.0/10	8	washer
11	2.0020.306.2	4	screw m 10 x 25
12	2.1475.002.2	8	conical washer 8
13	2.1120.005.2	8	nut m 8 p.1.25
14	04433326/10	2	fender mm 620
17	0.019.6459.3	1	chassis frame dx/rh/re (-> 50011 )
18	0.019.6460.3	1	chassis frame sx/lh/li (-> 50011 )
19	2.1475.003.2	4	washer 10
20	2.1120.006.2	4	nut m 10 p.1.5
21	2.1310.004.2	8	flat washer 8.4x17
22	01174738	4	flat washer 12.5x26x6

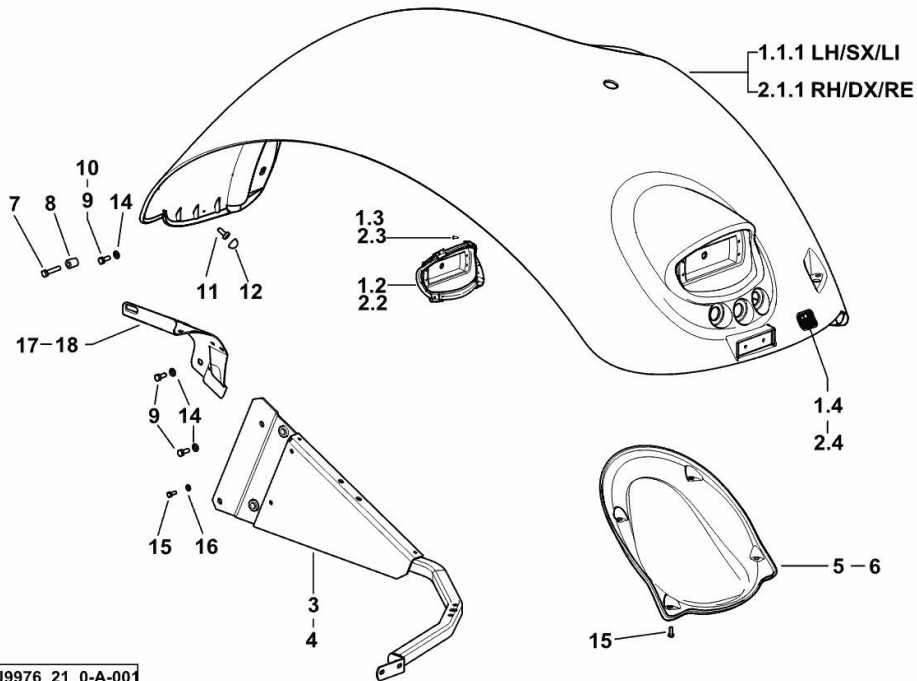
**REAR MUDGUARDS**

Fig.	P/n	QTY	Name
------	-----	-----	------

**Notes:**

- FOR TYPES WITHOUT FENDER EXTENSIONS [Fortis 180 Infinity ->WSXU320200LS50010]

1.1.1	0.011.8887.2/10	1	fender sx/lh/li
1.2	0.012.0203.0	1	support sx/lh/li
1.3	2.0350.455.3	4	screw m 4.2
1.4	2.9939.271.0	1	plate
2.1.1	0.011.8889.2/10	1	fender dx/rh/re
2.2	0.012.0204.0	1	support dx/rh/re
2.3	2.0350.455.3	4	screw m 4.2
2.4	2.9939.271.0	1	plate
3	0.012.1816.3	1	support sx/lh/li
4	0.012.1880.3	1	support dx/rh/re
5	0.012.0201.0	1	guard sx/lh/li
6	0.012.0202.0	1	guard dx/rh/re
7	2.0112.215.2	2	screw m 8 p.1.25 x 40
8	04415539	2	bushing
9	2.0112.207.2	16	screw m 8 p 1.25 x 20
10	2.0112.211.2	4	screw m 8 p.1.25 x 30
11	04428727	2	screw
12	04419538	2	cap
14	2.1310.004.2	20	flat washer 8.4x17
15	2.0112.005.2	12	screw m 6 p.1 x 16
16	2.1310.002.2	4	flat washer 6.4x12.5
17	0.017.1166.0/10	1	front grille sx/lh/li
18	0.017.1168.0/10	1	front grille dx/rh/re





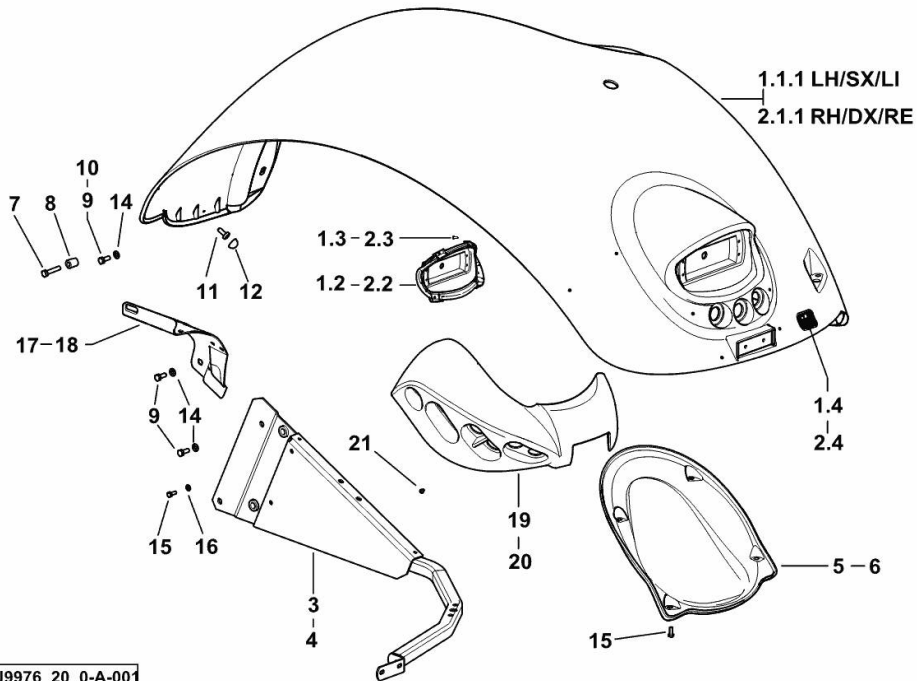
**REAR MUDGUARDS**

Fig.	P/n	QTY	Name
------	-----	-----	------

**Notes:**

- VERSION WITH PUSH-BUTTON PANEL TO GOVERN DIRECTIONAL CONTROL VALVES FROM GROUND  
 [Fortis 180 Infinity ->WSXU320200LS50010]

1.1.1	0.011.8887.2/10	1	fender sx/lh/li
1.2	0.012.0203.0	1	support sx/lh/li
1.3	2.0350.455.3	4	screw m 4.2
1.4	2.9939.271.0	1	plate
2.1.1	0.011.8889.2/10	1	fender dx/rh/re
2.2	0.012.0204.0	1	support dx/rh/re
2.3	2.0350.455.3	4	screw m 4.2
2.4	2.9939.271.0	1	plate
3	0.012.1816.3	1	support sx/lh/li
4	0.012.1880.3	1	support dx/rh/re
5	0.012.0201.0	1	guard sx/lh/li
6	0.012.0202.0	1	guard dx/rh/re
7	2.0112.215.2	2	screw m 8 p.1.25 x 40
8	04415539	2	bushing
9	2.0112.207.2	16	screw m 8 p 1.25 x 20
10	2.0112.211.2	4	screw m 8 p.1.25 x 30
11	04428727	2	screw
12	04419538	2	cap
14	2.1310.004.2	20	flat washer 8.4x17
15	2.0112.005.2	12	screw m 6 p.1 x 16
16	2.1310.002.2	4	flat washer 6.4x12.5
17	0.017.1166.0/10	1	front grille sx/lh/li
18	0.017.1168.0/10	1	front grille dx/rh/re
19	0.016.7767.7	1	front grille sx/lh/li
20	0.016.7766.7	1	front grille dx/rh/re
21	2.0330.203.2	12	screw m 4 x 10



K9\_J9976\_20\_0-A-001

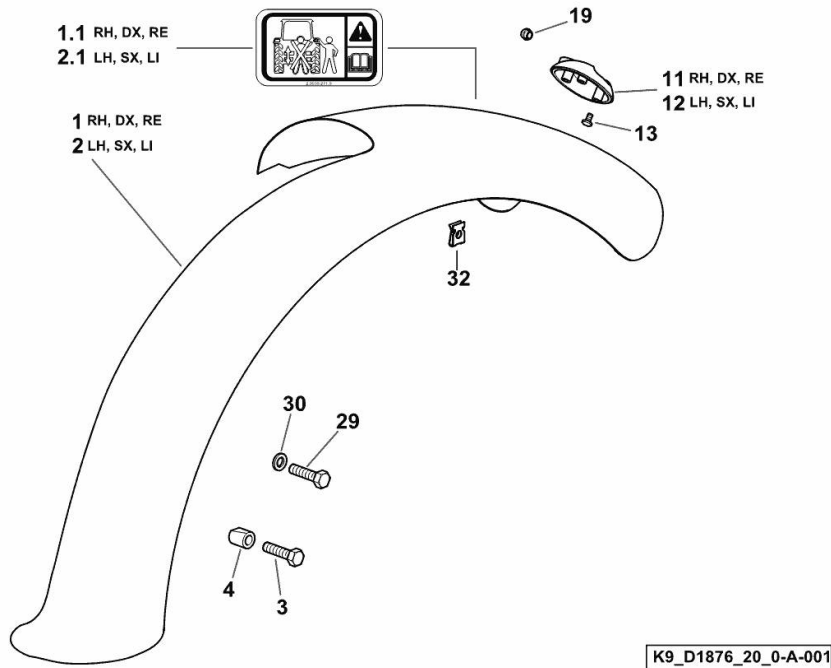
**REAR MUDGUARDS**

Fig.	P/n	QTY	Name
------	-----	-----	------

**Notes:**

- FOR TYPES WITH FENDER EXTENSIONS [Fortis 180 Infinity ->WSXU320200LS50010]

1	0.016.4864.3/10	1	fender dx/rh/re
1.1	2.9939.271.0	1	plate
2	0.016.4863.3/10	1	fender sx/lh/li
2.1	2.9939.271.0	1	plate
3	2.0114.215.2	2	screw m 8 p.1.25 x 40
4	04415539	2	bushing
11	04412686	1	half box dx/rh/re
12	04412685	1	half box sx/lh/li
13	04414188	6	screw
19	04413366	1	plug 20.6
29	04426352	6	screw m 8 p.1.25 x 20
30	2.1310.004.2	6	flat washer 8.4x17
32	04413338	12	stop



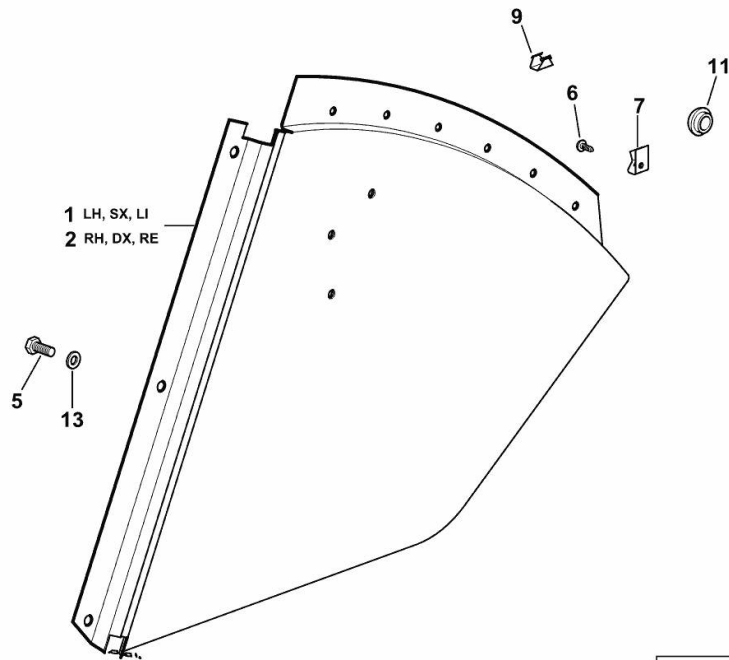
**WING SIDE PANEL**

Fig.	P/n	QTY	Name
------	-----	-----	------

**Notes:**

[Fortis 180 Infinity ->WSXU320200LS50010]

1	04436461	1	division sx/lh/li
2	04425425/10	1	division dx/rh/re
5	04426352	6	screw m 8 p.1.25 x 20
6	04413745	12	screw 4.8x13
7	04413338	12	stop
9	04418149/10	10	clip
11	0.178.7455.0	1	plug Ø 12
13	2.1310.004.2	6	flat washer 8.4x17



K9\_95376\_50\_0-A-001

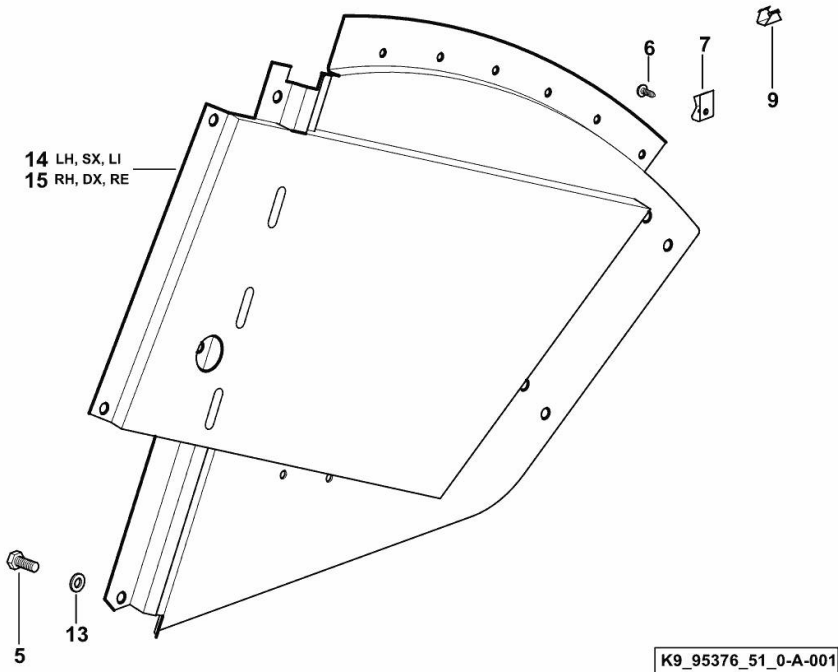
**REINFORCED FENDER**

Fig.	P/n	QTY	Name
------	-----	-----	------

**Notes:**

[Fortis 180 Infinity ->WSXU320200LS50010]

5	04426352	8	screw m 8 p.1.25 x 20
6	04413745	12	screw 4.8x13
7	04413338	12	stop
9	04418149/10	10	clip
13	2.1310.004.2	10	flat washer 8.4x17
14	04429862.4	1	division sx/lh/li
15	04429863.4/10	1	division dx/rh/re



**MUDGUARDS EXTENSIONS**

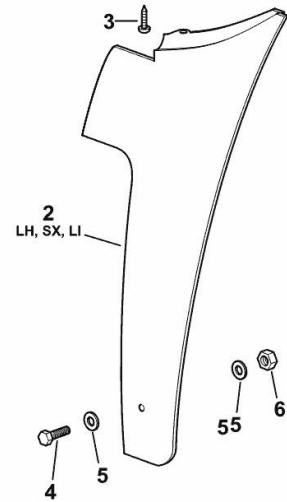
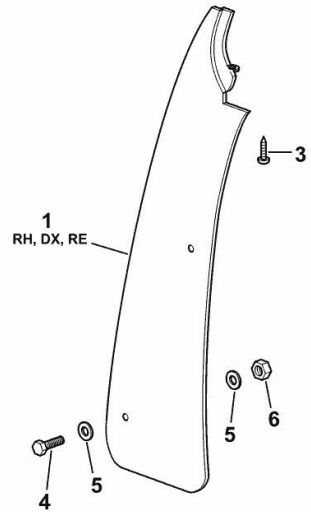
Fig.	P/n	QTY	Name
------	-----	-----	------

**Notes:**

[Fortis 180 Infinity ->WSXU320200LS50010]

1	04412704	1	extension dx/rh/re
2	04453446	1	extension sx/lh/li
3	04426906	6	screw 4.2x16
4	2.0114.209.2	2	screw m 8 x 25
5	2.1312.004.2	4	washer 8x24x2
6	2.1121.005.2	2	nut m 8 p.1.25

K9\_D3676\_26\_0-A-001



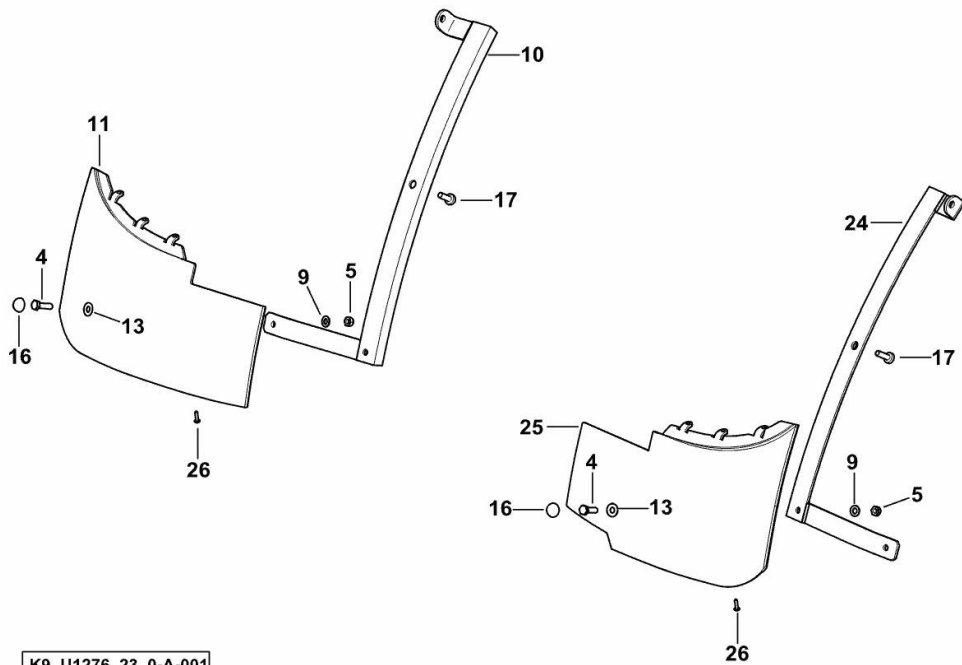
**MUDGUARD PROTECTORS**

Fig.	P/n	QTY	Name
------	-----	-----	------

**Notes:**

- FOR TYPES WITH FENDER EXTENSIONS [Fortis 180 Infinity ->WSXU320200LS50010]

4	2.0112.210.2	4	screw m 8 p.1.25 x 28
5	2.1121.005.2	4	nut m 8 p.1.25
9	2.1310.004.2	4	flat washer 8.4x17
10	0.019.9531.2/10	1	bracket dx/rh/re
11	0.019.9528.0	1	extension dx/rh/re
13	04419355	4	ring
16	04419356	4	cap
17	2.0362.308.3	2	screw m 8 x 25
24	0.019.9532.2/10	1	bracket sx/lh/li
25	0.019.9527.0	1	extension sx/lh/li
26	04426906	6	screw 4.2x16



K9\_U1276\_23\_0-A-001

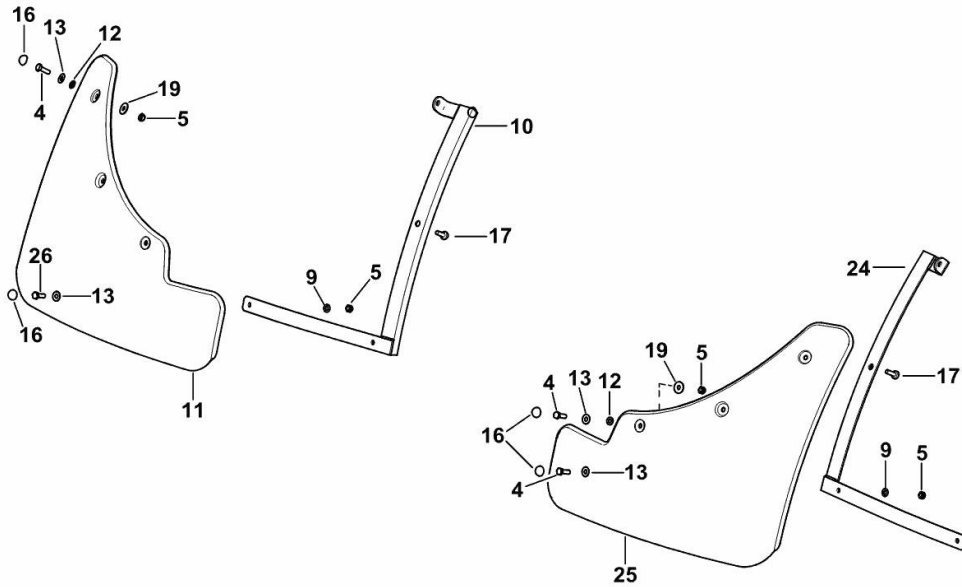
**MUDGUARD PROTECTORS**

Fig.	P/n	QTY	Name
------	-----	-----	------

**Notes:**

- FOR TYPES WITHOUT FENDER EXTENSIONS [Fortis 180 Infinity ->WSXU320200LS50010]

4	2.0112.209.2	8	screw m 8 p 1.25 x 25
5	2.1121.005.2	10	nut m 8 p.1.25
9	2.1310.004.2	4	flat washer 8.4x17
10	0.019.8631.2/10	1	bracket dx/rh/re
11	0.018.7444.0	1	extension dx/rh/re
12	2.1310.004.3	6	washer 8.4x17
13	04419355	10	ring
16	04419356	10	cap
17	2.0362.308.3	2	screw m 8 x 25
19	2.1312.004.2	6	washer 8x24x2
24	0.019.8632.2/10	1	bracket sx/lh/li
25	0.018.7443.0	1	extension sx/lh/li
26	2.0112.207.2	2	screw m 8 p 1.25 x 20



K9\_U1276\_22\_0-A-001

Thank you so much for reading.  
Please click the “Buy Now!”  
button below to download the  
complete manual.



After you pay.

You can download the most  
perfect and complete manual in  
the world immediately.

Our support email:

[ebooklibonline@outlook.com](mailto:ebooklibonline@outlook.com)