

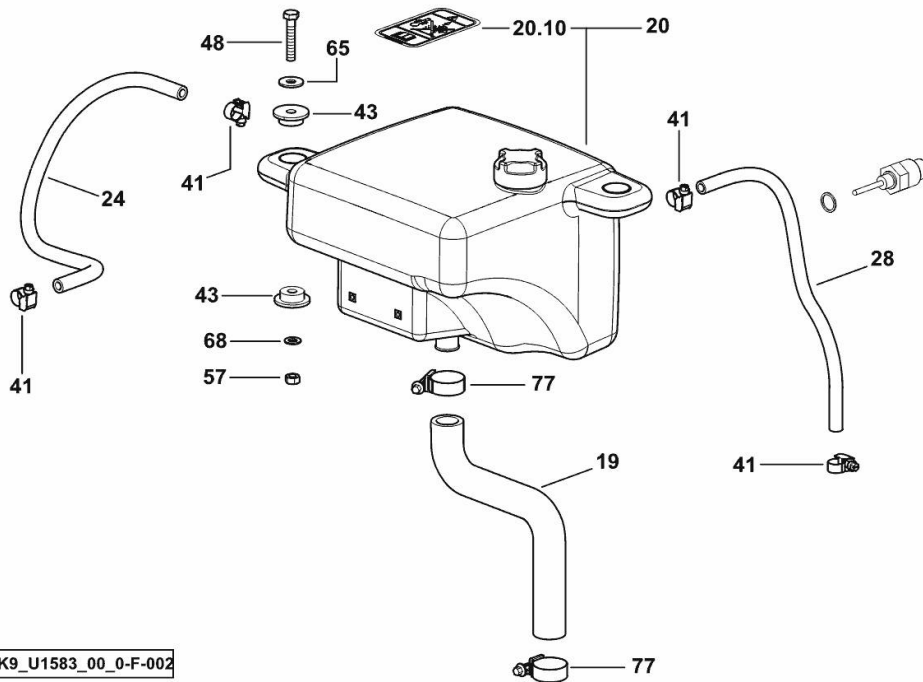
COOLING - EXPANSION TANK

Fig.	P/n	QTY	Name
------	-----	-----	------

Notes:

[FORTIS 190 ->WSXAU40200LS50010]

19	0.019.7070.0/10	1	tube
20	0.018.5486.4/30	1	small tank ☞ 0.018.5486.4/30
20.10	2.9939.280.0	1	plate
24	0.012.6457.0	1	tube
28	0.012.6457.0	1	tube
41	01173965	4	clamp 10-16/9 h3461
43	04432147	4	ring
48	2.0112.217.2	2	screw m 8 p.1.25 x 45
57	2.1011.105.2	10	nut m 8 p.1.25
65	2.1312.004.2	3	washer 8x24x2
68	2.1475.002.2	2	conical washer 8
77	2.6851.003.0	2	clamp Ø 25/40



K9_U1583_00_0-F-002

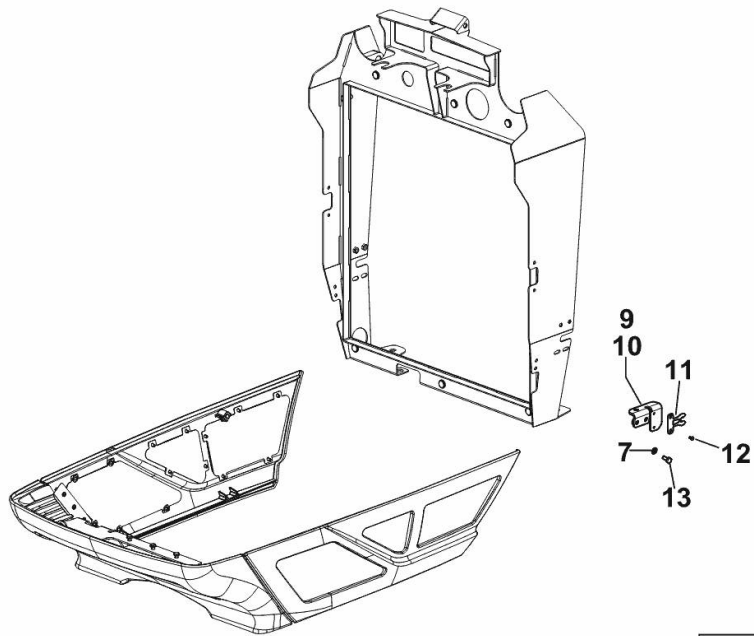
HOOD SIDE PANEL SX/LH/LI - DX/RH/RE

Fig.	P/n	QTY	Name
------	-----	-----	------

Notes:

[FORTIS 190 ->WSXAU40200LS50010] -> 50012

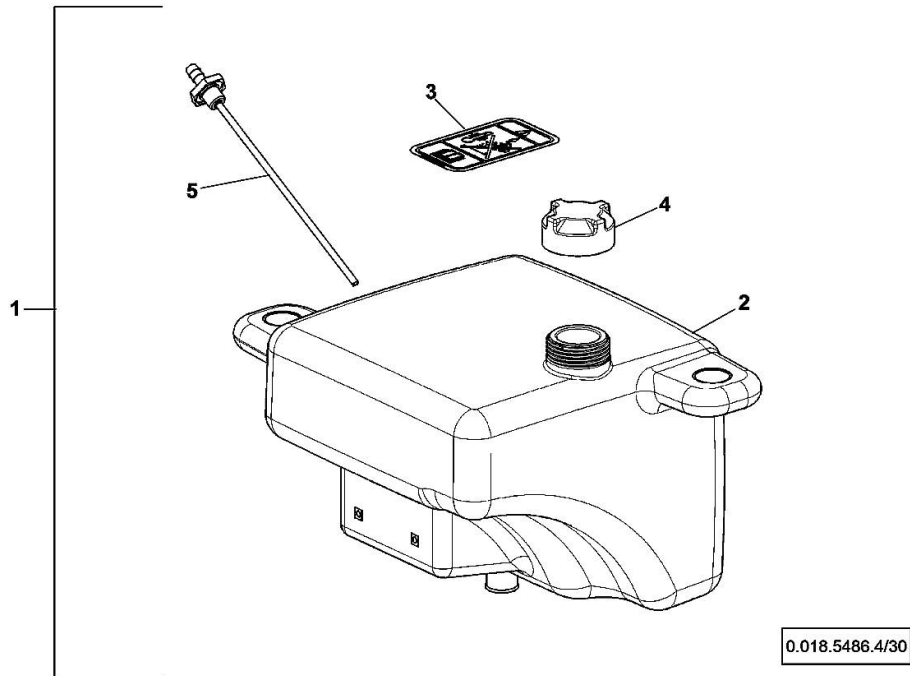
7	2.1310.002.2	15	flat washer 6.4x12.5
9	0.019.0244.3/10	1	bracket dx/rh/re
10	0.019.0245.3/10	1	bracket sx/lh/li
11	0.017.6361.0/30	2	stop
12	04414182	4	rivet 4.8
13	2.0112.004.2	4	screw m 6 p.1 x 14



K9_U1672_06_0-B-001

WATER TANK

Fig.	P/n	QTY	Name
1	0.018.5486.4/30	1	small tank
2	0.000.0000.1		cannot be supplied
3	2.9939.280.0	1	plate
4	0.010.3465.1	1	plug
5	0.020.1742.3/10	1	tube

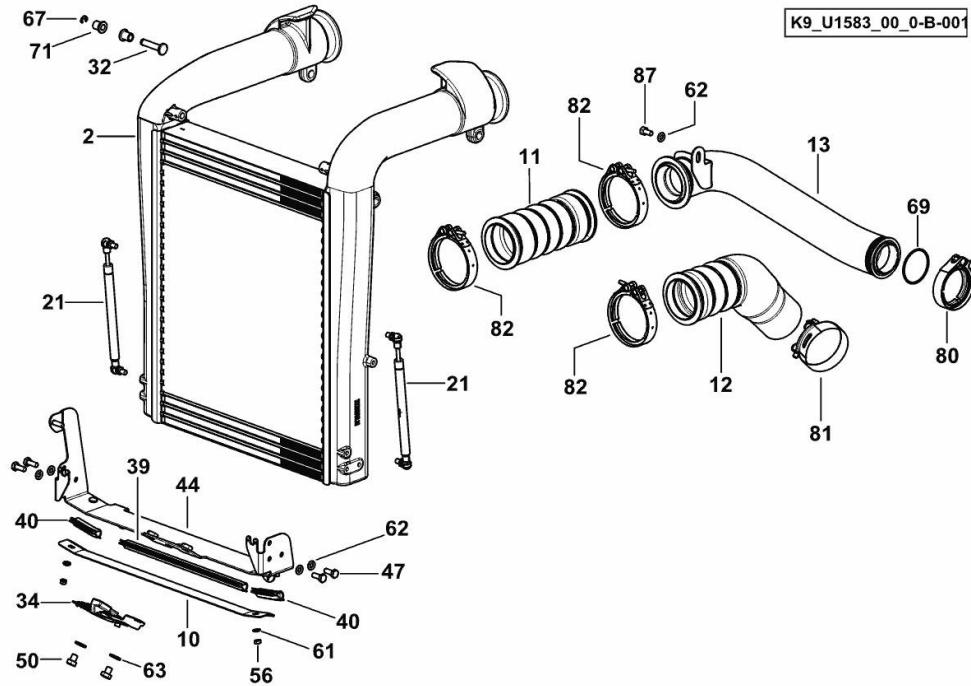


INTERCOOLER

Fig.	P/n	QTY	Name
------	-----	-----	------

Notes:

[FORTIS 190 ->WSXAU40200LS50010]



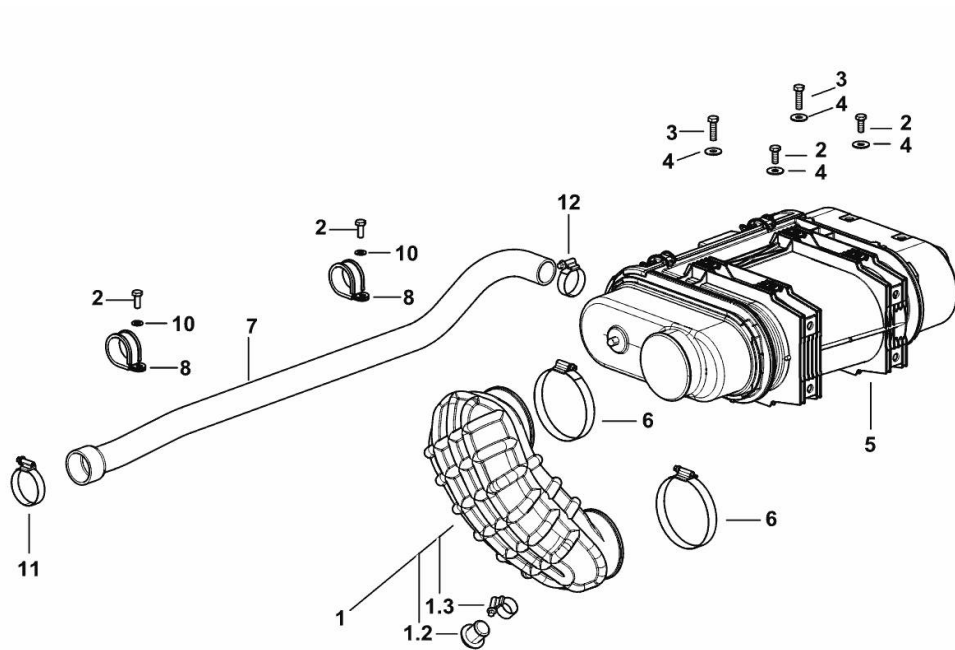
2	0.021.2353.4	1	intercooler
10	0.019.0632.0/10	1	bracket
11	0.019.0603.4	1	sleeve
12	0.019.0594.4	1	sleeve
13	0.019.0617.2/10	1	tube
21	0.018.8024.4	2	shock absorber
32	0.017.4798.0	2	pin
34	0.013.3609.4	1	lock
39	0.019.0633.0	1	gasket
40	0.019.0634.0	2	gasket
44	0.019.0098.3/20	1	support
47	2.0112.207.2	4	screw m 8 p 1.25 x 20
50	2.0112.303.2	2	screw m 10 p.1.5x12
56	2.1011.103.2	4	nut m 6 p.1
61	2.1310.002.2	7	flat washer 6.4x12.5
62	2.1310.004.2	13	flat washer 8.4x17
63	2.1310.006.2	6	flat washer 10.5x21
67	2.1430.009.2	2	ring 8
69	2.1532.143.0	1	oil seal
71	2.1559.147.0	4	bushing
80	2.6859.118.0	1	clamp Ø 77
81	2.6859.148.2	1	clamp Ø 79-85
82	2.6859.166.0	3	clamp Ø 97
87	2.0112.205.2	1	screw m 8 p.1.25 x 16

AIR CLEANER

Fig.	P/n	QTY	Name
------	-----	-----	------

Notes:

[FORTIS 190 ->WSXAU40200LS50010]



K9_U4381_10_0-A-002

1	0.018.8198.4	1	sleeve
1.2	0.016.2956.0	1	plug
1.3	2.6851.002.0	1	clamp Ø 20/32
2	2.0112.207.2	4	screw m 8 p 1.25 x 20
3	2.0112.211.2	2	screw m 8 p.1.25 x 30
4	2.1312.004.2	4	washer 8x24x2
5	2.4249.734.0/10	1	air filter (50011 <-) ☞ 2.4249.734.0/10
5	2.4249.734.0/20	1	air filter (-> 50012) ☞ 2.4249.734.0/20
6	2.6859.150.0	2	clamp 95/118
7	0.018.6601.0	1	tube
8	2.6839.069.0	2	clamp 40/20
10	2.1310.004.2	2	flat washer 8.4x17
11	2.6851.005.0	1	clamp Ø 40/60
12	2.6851.004.0	1	clamp Ø 32/50

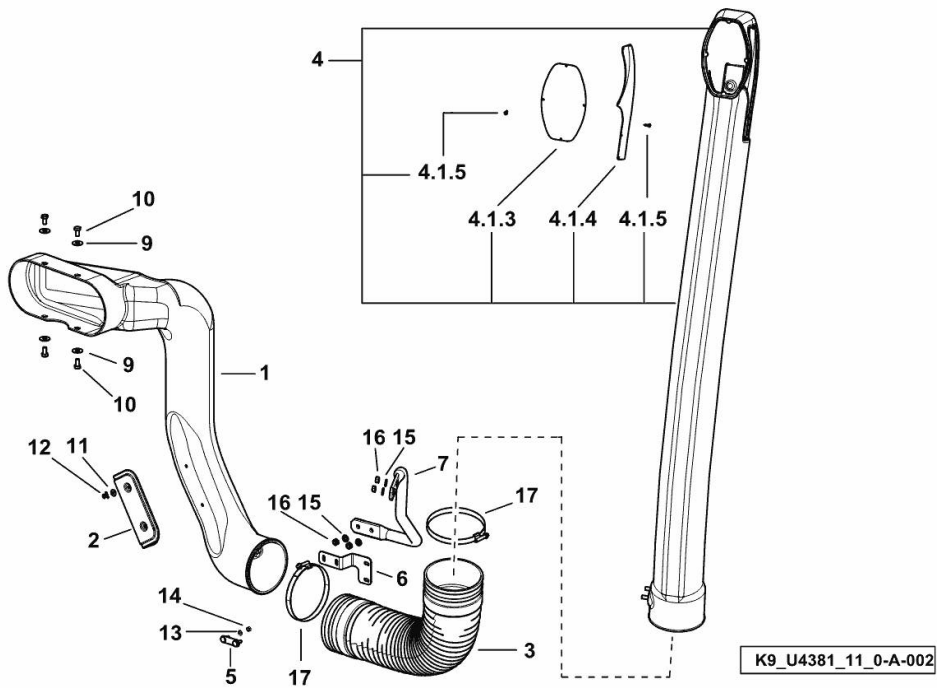
AIR INTAKE TUBE

Fig.	P/n	QTY	Name
------	-----	-----	------

Notes:

[FORTIS 190 ->WSXAU40200LS50010]

1	0.018.3658.0/20	1	sleeve
2	0.018.1794.0	1	shield
3	0.015.7527.0	1	tube
4	04431291.4	1	tube
4.1.3	04434787	1	plate
4.1.4	04434788	1	plate
4.1.5	04423627	13	stop
5	0.017.8380.3	1	small plate
6	0.017.8369.0/20	1	bracket
7	04453928	1	support
9	2.1312.004.2	4	washer 8x24x2
10	2.0112.205.2	4	screw m 8 p.1.25 x 16
11	2.1312.002.2	2	washer 5
12	2.1851.005.0	2	rivet 4.8
13	2.1310.002.2	2	flat washer 6.4x12.5
14	2.1011.103.2	2	nut m 6 p.1
15	2.1310.004.2	4	flat washer 8.4x17
16	2.1011.105.2	4	nut m 8 p.1.25
17	2.6851.013.0	2	clamp 120-140



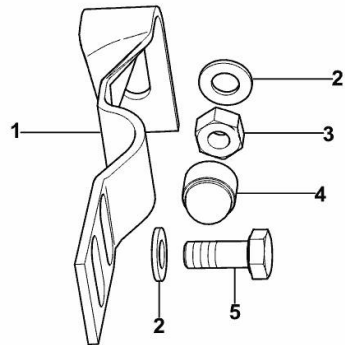
ENGINE AIR INTAKE PIPE BRACKET

Fig.	P/n	QTY	Name
------	-----	-----	------

Notes:

[FORTIS 190 ->WSXAU40200LS50010]

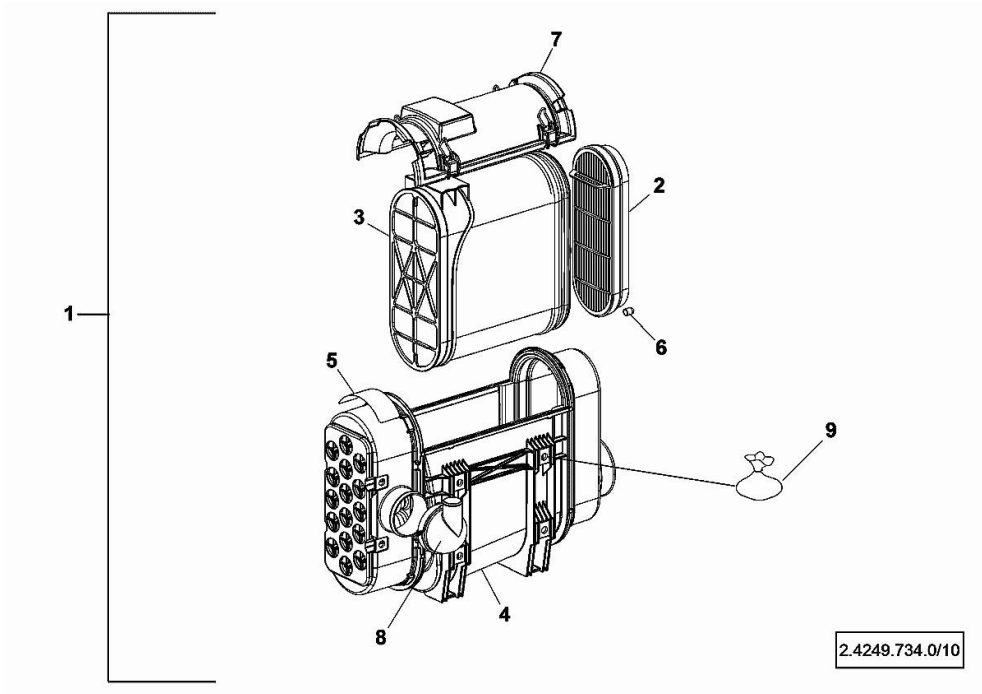
1	04413465	1	bracket
2	2.1310.004.2	2	flat washer 8.4x17
3	2.1011.105.2	1	nut m 8 p.1.25
4	01174042	1	cap
5	2.0114.207.2	1	screw m 8 p.1.25 x 20



K9_U1581_12_0-A-001

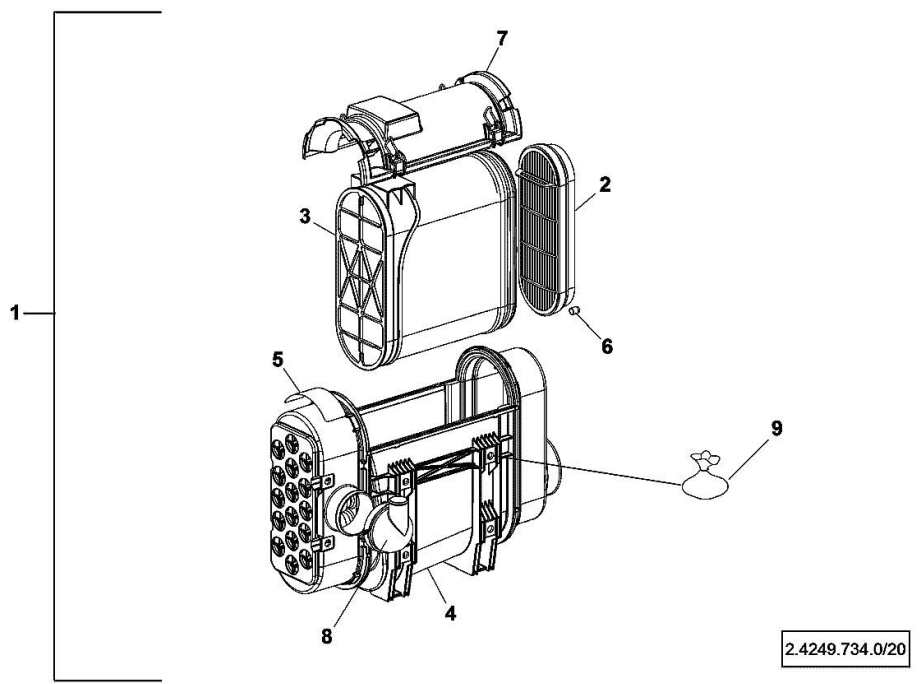
AIR FILTER 9"

Fig.	P/n	QTY	Name
1	2.4249.734.0/10	1	air filter
2	0.900.0272.1	1	internal air filter element
3	0.900.1633.4	1	filter
4	0.000.0000.1		cannot be supplied
5	0.000.0000.1	1	cannot be supplied
6	0.900.1383.8	1	guard
7	0.900.1633.5	1	cover
8	0.900.1633.6	1	exhaust valve
9	0.900.2064.4	1	accessories U-CLIP BAG



AIR FILTER 9"

Fig.	P/n	QTY	Name
1	2.4249.734.0/20	1	air filter
2	0.900.0272.1	1	internal air filter element
3	0.900.2248.1	1	filter
4	0.000.0000.1		cannot be supplied
5	0.000.0000.1	1	cannot be supplied
6	0.900.1383.8	1	guard
7	0.900.1633.5	1	cover
8	0.900.1633.6	1	exhaust valve
9	0.900.2064.4	1	accessories U-CLIP BAG

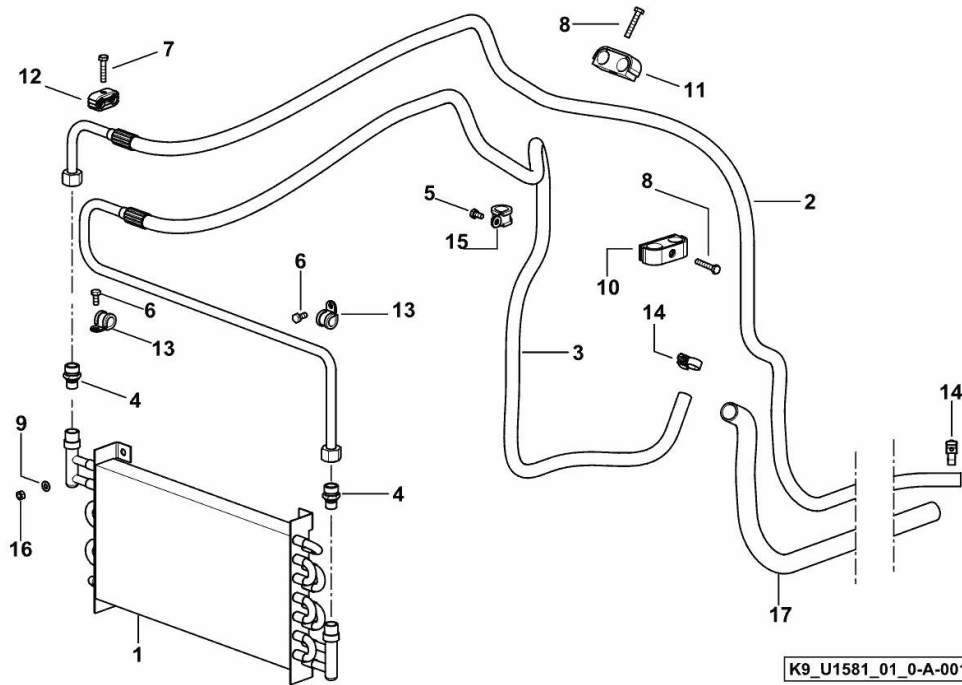


FUEL COOLER

Fig.	P/n	QTY	Name
------	-----	-----	------

Notes:

[FORTIS 190 ->WSXAU40200LS50010]



1	0.018.8033.4	1	radiator
2	0.019.0278.3	1	tube
3	0.019.0279.3	1	tube
4	04453868	2	pipe fitting m 14 p.1.5
5	2.0112.003.2	1	screw m 6 p.1 x 12
6	2.0112.004.2	2	screw m 6 p.1 x 14
7	2.0112.011.2	1	screw m 6 p.1x30
8	2.0112.013.2	2	screw m 6 p.1 x 35
9	2.1310.002.2	4	flat washer 6.4x12.5
10	2.3320.220.0	1	terminal Ø 18/20 - typ A
11	2.3320.319.0	1	terminal
12	2.3321.010.0	1	collar Ø 12/12
13	2.6839.059.0	2	clamp Ø 12 / 15
14	2.6851.019.0	2	clamp Ø 13/20
15	2.6839.053.0	1	clamp Ø 17/15
16	2.1011.103.2	4	nut m 6 p.1
17	0.016.7110.0	1	sheath mm 2317

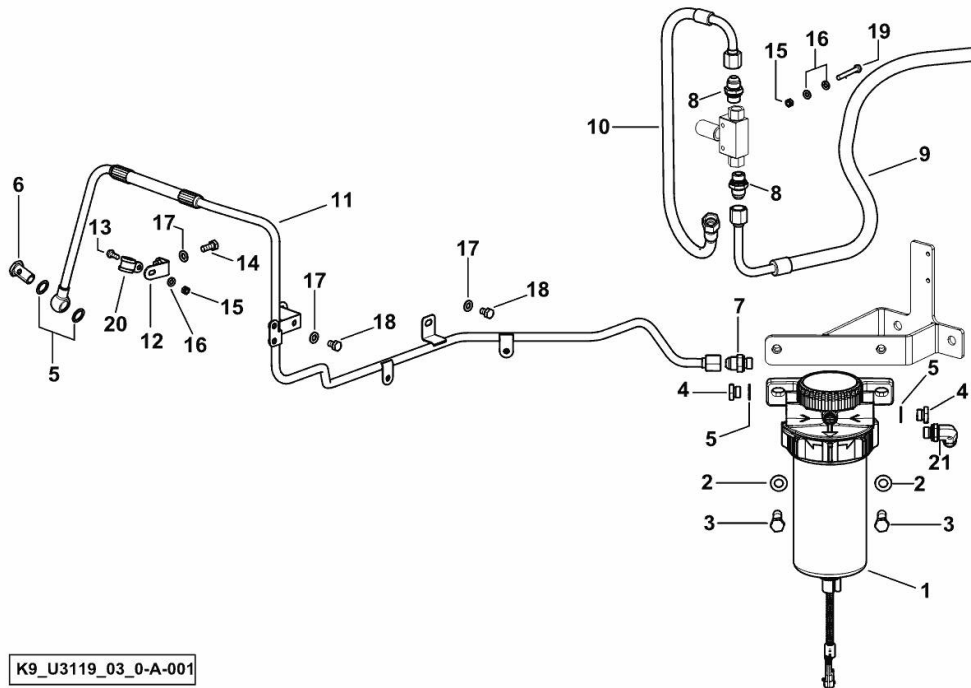
K9_U1581_01_0-A-001

FUEL FEED PIPES AND PREFILTER

Fig.	P/n	QTY	Name
------	-----	-----	------

Notes:

[FORTIS 190 ->WSXAU40200LS50010]



K9_U3119_03_0-A-001

1	2.4319.300.0/20	1	precleaner ☞ 2.4319.300.0/20
2	2.1310.007.2	2	flat washer 13 x 24
3	2.0112.415.2	2	screw m 12 p.1.75 x 40
4	2.3110.404.2	2	plug m 16 p.1.5
5	2.1560.012.0	4	gasket 16.2 x 22
6	2.3335.007.2	1	pipe union m 16 p.1.5x28
7	2.3249.227.2	1	pipe fitting m 16 p.1.5-3/4"
8	2.3249.138.2	2	pipe fitting m 18 - 3/4" JIC
9	0.015.9527.3/10	1	pipng
10	0.015.9526.3	1	pipng
11	0.018.5953.3/10	1	tube
12	0.017.5170.3	1	bracket
13	2.0112.005.2	1	screw m 6 p.1 x 16
14	2.0112.207.2	1	screw m 8 p 1.25 x 20
15	2.1011.103.2	3	nut m 6 p.1
16	2.1310.002.2	3	flat washer 6.4x12.5
17	2.1310.004.2	3	flat washer 8.4x17
18	2.0112.203.2	2	screw m 8 p.1.25 x 12
19	2.0112.017.2	2	screw m 6 p.1x45
20	2.6839.059.0	1	clamp Ø 12 / 15
21	2.3249.101.2	1	pipe fitting m 16 p1.5

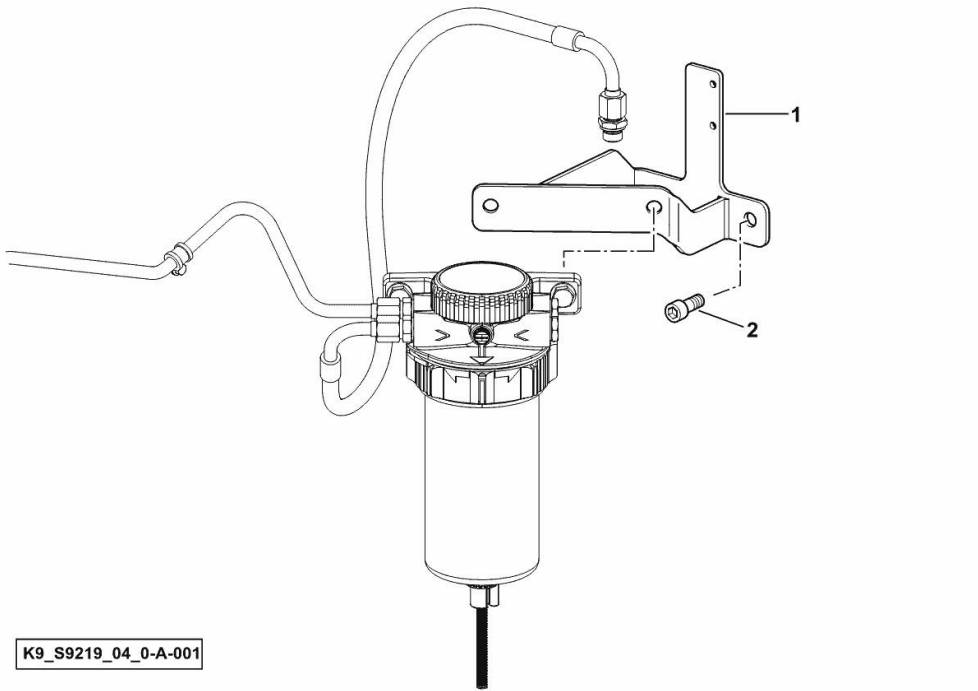
FUEL PRE-FILTER SUPPORT

Fig.	P/n	QTY	Name
------	-----	-----	------

Notes:

[FORTIS 190 ->WSXAU40200LS50010]

1	0.017.6497.3/20	1	support
2	2.0312.410.2	2	screw m 12 p.1.75 x 30



K9_S9219_04_0-A-001

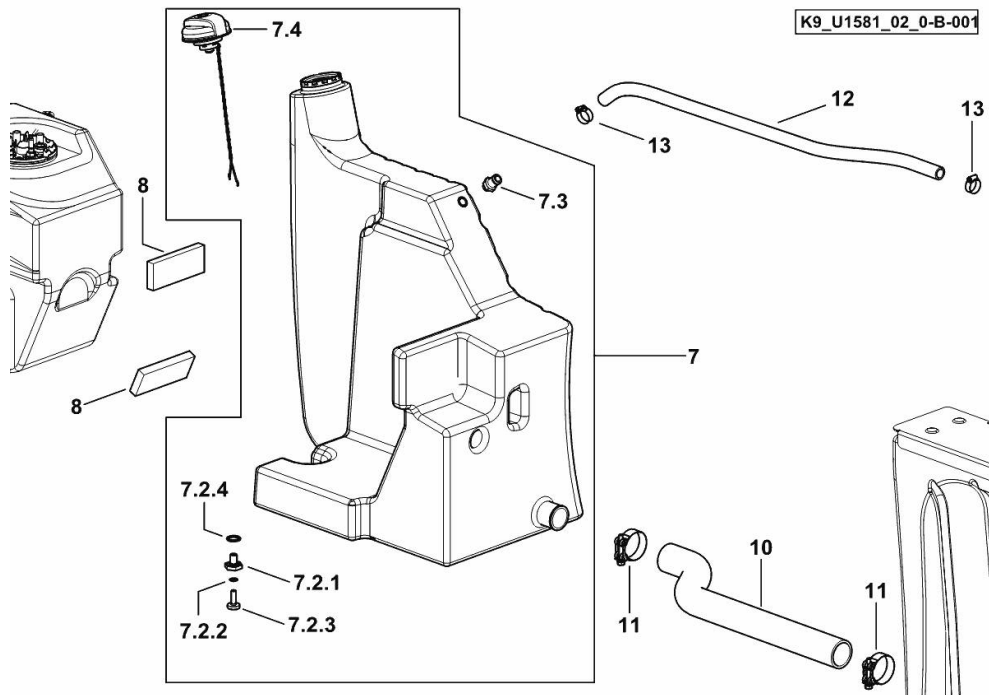
FUEL TANK DX/RH/RE

Fig.	P/n	QTY	Name
------	-----	-----	------

Notes:

[FORTIS 190 ->WSXAU40200LS50010]

7	0.018.2154.4/50	1	fuel tank dx/rh/re
7.2.1	0.016.9607.0	1	plug m10
7.2.2	2.1560.006.0	1	gasket 10.2 x 16
7.2.3	0.016.9605.0	1	plug m14
7.2.4	2.1539.040.0	1	special oil seal 21.82 x 3.53
7.3	2.3249.245.0	1	pipe fitting Ø 12 / 3/8" GAS
7.4	0.019.6285.4	1	plug (-> 50010)
8	0.015.7103.0	2	gasket 60x150x18
10	0.018.3886.0/10	1	tube
11	2.6859.155.0	2	clamp Ø 59/63
12	0.019.9244.0	1	tube
13	01173962	2	clamp Ø 20/32

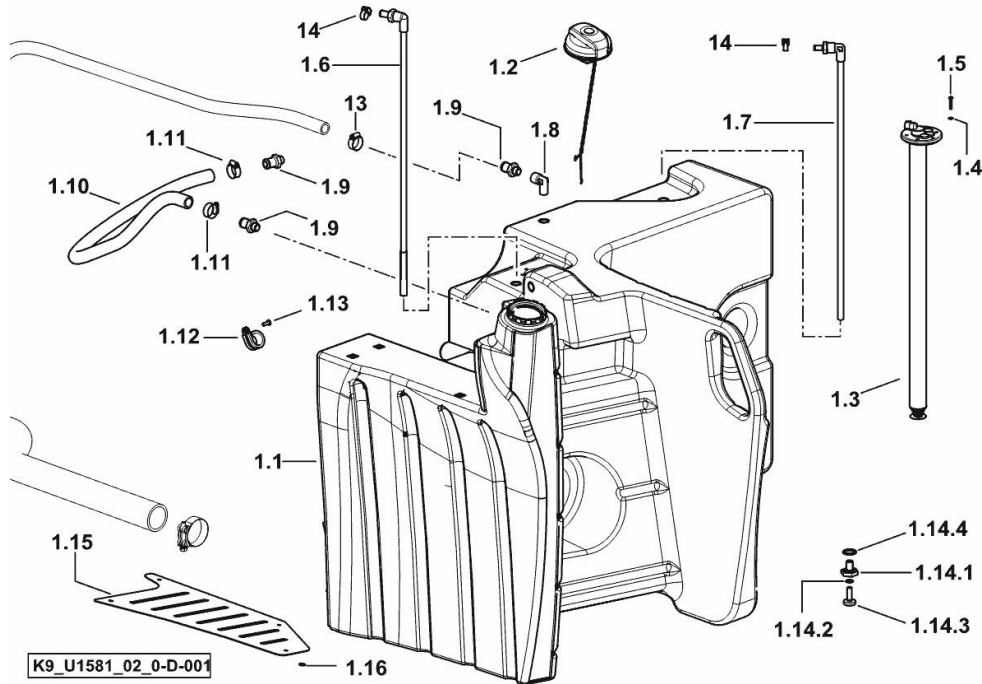


FUEL TANK SX/LH/LI

Fig.	P/n	QTY	Name
------	-----	-----	------

Notes:

[FORTIS 190 ->WSXAU40200LS50010]



1.1	0.018.6779.3/40	1	fuel tank sx/lh/li
1.2	0.019.6285.4	1	plug (-> 50010)
1.3	2.7059.016.0	1	float
1.4	2.1310.028.2	6	flat washer
1.5	2.0332.208.2	6	screw m4x25
1.6	0.016.7111.3/20	1	tube
1.7	0.016.7518.3/10	1	tube
1.8	2.3249.224.0	1	pipe fitting Ø 22 / 3/8" GAS
1.9	2.3249.245.0	3	pipe fitting Ø 12 / 3/8" GAS
1.10	0.018.8394.0/10	1	tube
1.11	01173962	2	clamp Ø 20/32
1.12	2.6839.068.0	1	clamp Ø 27
1.13	2.0332.406.2	5	screw m 6 p.1.0 x 16
1.14.1	0.016.9607.0	1	plug m10
1.14.2	2.1560.006.0	1	gasket 10.2 x 16
1.14.3	0.016.9605.0	1	plug m14
1.14.4	2.1539.040.0	1	special oil seal 21.82 x 3.53
1.15	0.018.7319.0/20	1	guard
1.16	2.1310.002.2	4	flat washer 6.4x12.5
13	01173962	2	clamp Ø 20/32
14	2.6851.019.0	2	clamp Ø 13/20

TANK AND BATTERY SUPPORT DX/RH/RE

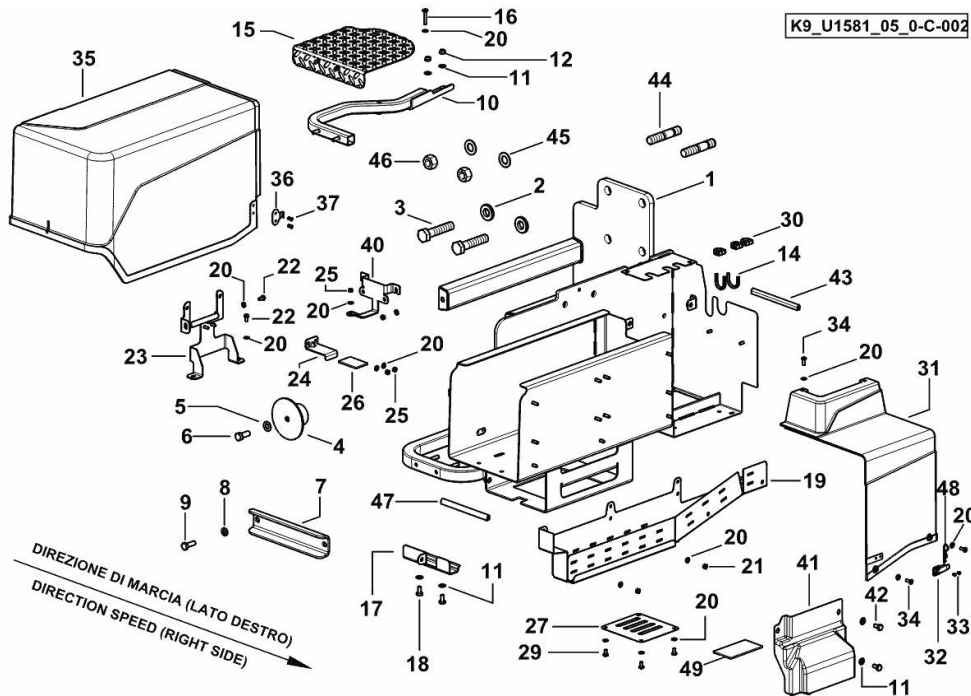


Fig.	P/n	QTY	Name
------	-----	-----	------

Notes:

[FORTIS 190 ->WSXAU40200LS50010]

1	0.018.2320.3/70	1	support dx/rh/re (50012 <-)
1	0.018.2320.3/80	1	support dx/rh/re
2	01167055	2	washer 20.5x40
3	2.0399.302.2	2	screw m 20 p.2x90
4	0.018.1844.2	1	bracket dx/rh/re
5	2.1310.007.2	1	flat washer 13 x 24
6	2.0112.411.2	1	screw m 12 p.1.75 x 30
7	0.018.2847.0	1	bracket dx/rh/re
8	2.1310.006.2	2	flat washer 10.5x21
9	2.0112.311.2	2	screw m 10 p.1.5 x 30
10	0.018.2954.3/20	1	bracket
11	2.1310.004.2	10	flat washer 8.4x17
12	2.1121.005.2	6	nut m 8 p.1.25
14	01393059	0.16	gasket
15	0.018.1397.0/30	1	foot board dx/rh/re
16	2.0332.410.2	1	screw m 6 p.1 x 35
17	0.015.2140.3/10	1	bracket
18	2.0114.205.2	2	screw m 8 p.1.25 x 16
19	0.018.3419.3	1	bracket
20	2.1310.002.2	21	flat washer 6.4x12.5
21	2.1011.003.2	3	nut m 6 p.1, d934
22	2.0112.003.2	4	screw m 6 p.1 x 12
23	0.018.8462.3	1	bracket
24	0.016.4712.0	1	bracket
25	2.1011.103.2	5	nut m 6 p.1
26	0.016.4901.0	1	gasket
27	0.018.4108.0/10	1	guard
29	2.0332.203.2	4	screw m 4 x 10
30	2.6569.081.0	3	wire guide
31	0.018.3917.0/10	1	cover
32	0.014.7214.0	2	closure
33	2.1899.090.0	4	rivet 3x8
34	2.0332.406.2	4	screw m 6 p.1.0 x 16
35	0.018.2405.0/10	1	cover
36	0.015.2116.0	2	hook
37	2.1856.004.0	4	rivet 4
40	0.018.8804.0	1	bracket
41	0.018.9458.0	1	guard
42	2.0112.205.2	2	screw m 8 p.1.25 x 16
43	0.019.2929.0	1	gasket
44	2.0439.335.2	2	stud bolt m 20

Thank you so much for reading.
Please click the “Buy Now!”
button below to download the
complete manual.



After you pay.

You can download the most
perfect and complete manual in
the world immediately.

Our support email:

ebooklibonline@outlook.com