

FORTIS 190 Infinity ->WSXAU80200LS50010

Section: F0 - FRONT AXLE

Ref: F0.00.3 (2)

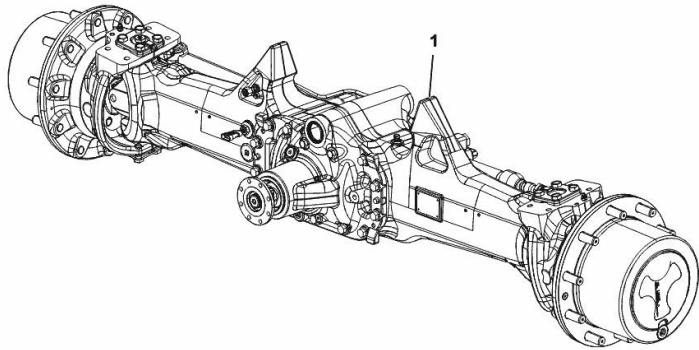
**4WD - FRONT DRIVE AXLE - WITH FRONT BRAKES - 359580**

Fig.	P/n	QTY	Name
------	-----	-----	------

Notes:

[FORTIS 190 Infinity ->WSXAU80200LS50010]

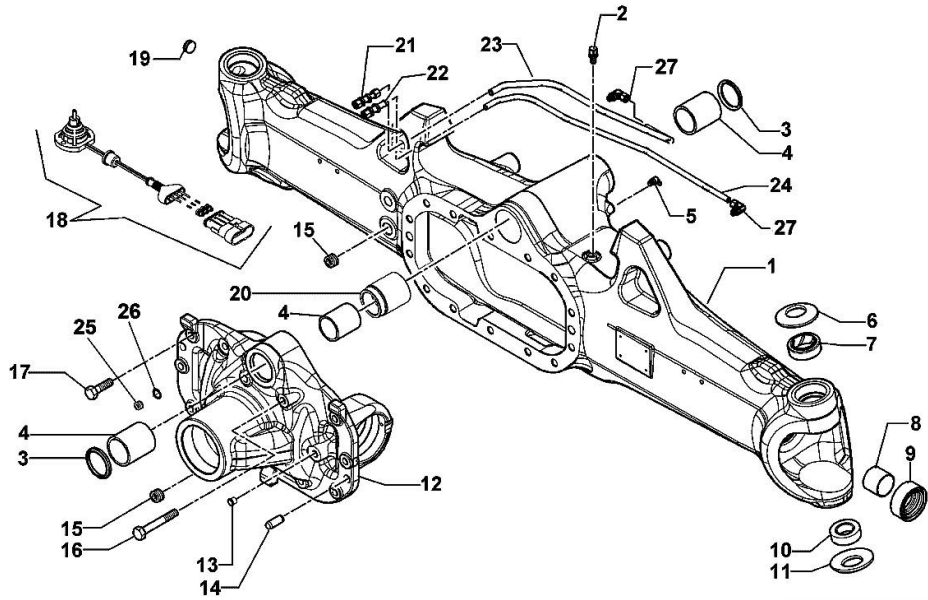
1	0.014.0338.4/50	1	complete axle - 359580
			☞ 0.014.0338.4/50
			☞ 0.014.0338.4/50
			☞ 0.014.0338.4/50
			☞ 0.014.0338.4/50
			☞ 0.014.0338.4/50
			☞ 0.014.0338.4/50
			☞ 0.014.0338.4/50



K9\_W0943\_01\_0-A-002

**DRIVEN FRONT AXLE**

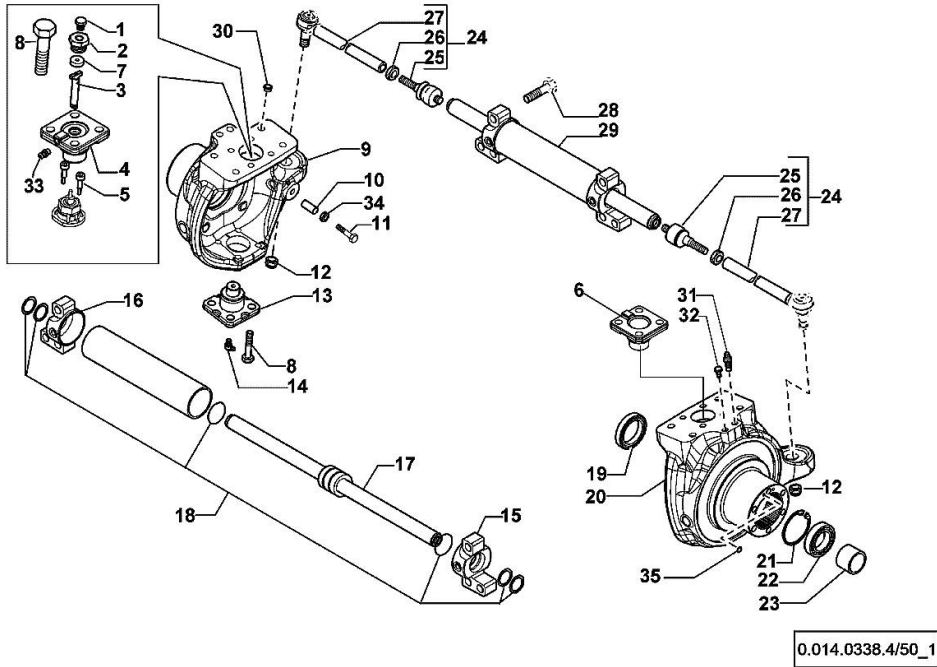
Fig.	P/n	QTY	Name
1	0.900.0965.1	1	front axle
2	0.900.0079.8	1	breather m 10 p.1
3	0.900.0079.9	2	circlip
4	0.900.0080.0	3	bushing
5	0.900.0080.1	1	grease gun m 8 p.1, 45°
6	0.900.0080.2	2	spring
7	0.900.0080.3	2	bushing
8	0.900.0080.4	2	bushing
9	0.900.0912.6	2	oil seal 40x65x27,5
10	0.900.0080.6	2	bearing
11	0.900.0080.7	2	spring
12	0.900.0960.4	1	support
13	0.900.0893.4	1	plug D1
14	0.900.0081.0	2	pin Ø 15x45
15	0.900.0081.1	2	plug m 24 p.1.5
16	0.900.0081.2	2	screw m 14x75
17	0.900.0081.3	12	screw m14 x 40
18	0.900.0504.8	1	sensor - KIT
19	0.900.0081.6	1	plug m 26 p.1.5
20	0.900.0082.2	1	bushing
21	0.900.0081.7	1	pipe fitting
22	0.900.0081.8	1	pipe fitting
23	0.900.0965.2	1	tube
24	0.900.0965.3	1	tube
25	0.900.1641.1	1	plug
26	0.900.0541.6	1	washer
27	0.900.0107.0	2	pipe fitting



0.014.0338.4/50\_0

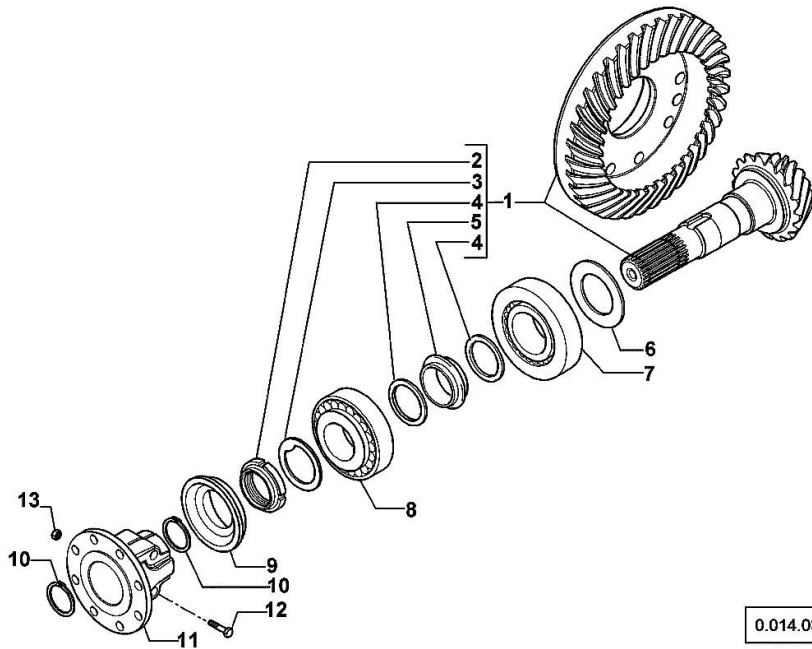
**STEERING CYLINDER**

Fig.	P/n	QTY	Name
1	0.900.0894.3	2	plug
2	0.900.0082.4	2	screw m 20 p.1.5
3	0.900.0502.3	1	shaft
4	0.900.0502.5	1	pin
5	0.900.0082.7	2	screw m 4 x 10
6	0.900.2171.1	1	pin
7	0.900.0961.2	1	small block
8	0.900.0082.9	16	screw m 14 x 35
9	0.900.0111.8	1	fork sx/lh/li
10	0.900.0502.8	2	bush
11	0.900.0791.4	2	screw M14x60
12	0.900.0083.3	2	nut m 20 p.1
13	0.900.0083.4	2	pin
14	0.900.0083.5	2	grease gun m 6 p.1, 45°
15	0.900.0107.1	1	fork dx/rh/re
16	0.900.0107.2	1	fork sx/lh/li
17	0.900.0107.3	1	stem
18	0.900.0107.4	1	gasket set
19	0.900.0083.9	2	oil seal 56x80x13/14,5
20	0.900.0111.9	1	fork dx/rh/re
21	0.900.0112.0	2	circlip
22	0.900.0112.1	2	bearing
23	0.900.1547.0	2	spacer
24	0.900.0107.6	2	rod
25	0.900.0084.5	2	ball joint
26	0.900.0084.6	2	nut m 24x10
27	0.900.0107.7	2	rod
28	0.900.0105.9	6	screw m 20x80
29	0.900.0107.8	1	jack
30	0.900.0085.0	8	plug
31	0.900.0112.6	2	breather m10 p.1
32	0.900.0895.8	2	plug m 10 p.1
33	0.900.0542.4	2	grease gun m 6 p.1
34	0.900.0083.1	2	nut m 14
35	0.900.0503.9	2	oil seal



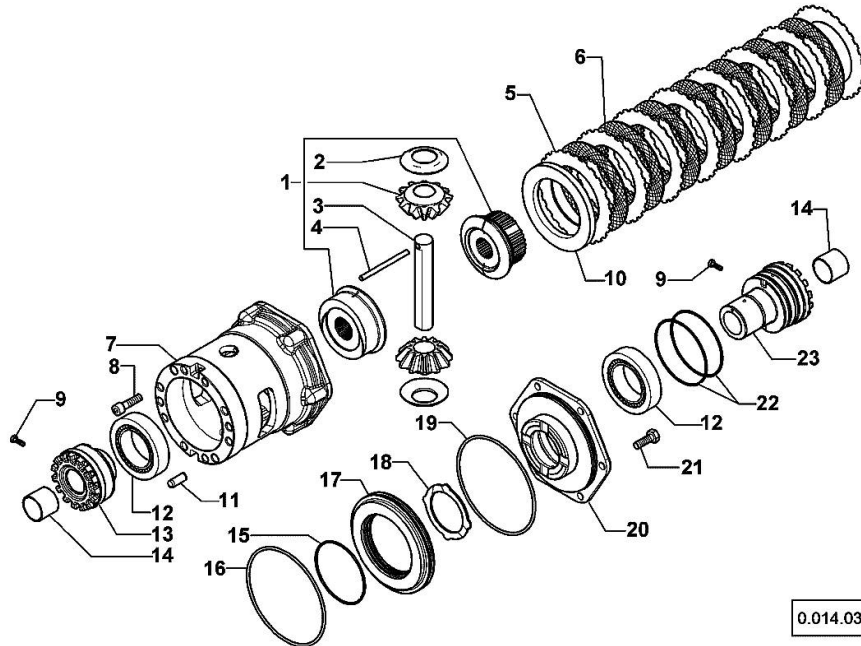
**BEVEL WHEEL GEAR**

Fig.	P/n	QTY	Name
1	0.900.0502.6	1	bevel drive - KIT
2	0.900.0085.5	1	ring nut m 40 p.1.5
3	0.900.0085.6	1	washer
4	0.900.0085.7	2	washer
5	0.900.0108.1	1	spacer
6	0.900.0108.2		shim 2.50
6	0.900.0108.3		shim 2.60
6	0.900.0108.4		shim 2.70
6	0.900.0108.5		shim 2.80
6	0.900.0108.6		shim 3.00
6	0.900.0108.7		shim 2.90
6	0.900.0108.8		shim 3.10
6	0.900.0108.9		shim 3.20
6	0.900.0109.0		shim 3.30
6	0.900.0109.1		shim 3.40
7	0.900.0109.2	1	bearing
8	0.900.0086.9	1	bearing
9	0.900.0087.0	1	oil seal 35x92/98x13/27
10	0.900.0087.1	2	circlip d = 35
11	0.900.0960.5	1	flange
12	0.900.0960.9	2	screw
13	0.900.0961.0	2	nut



0.014.0338.4/50\_2

**DIFFERENTIAL LOCK**

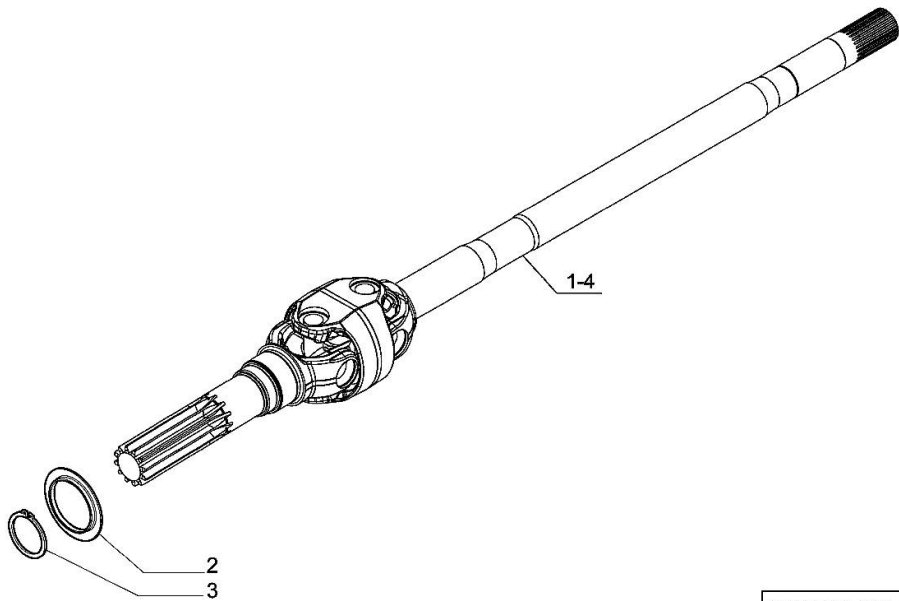


0.014.0338.4/50\_3

Fig.	P/n	QTY	Name
1	0.900.0109.4	1	gear
2	0.900.0109.5	2	slewing ring
3	0.900.0109.6	1	pin
4	0.900.0109.7	1	pin Ø 6 x 86
5	0.900.0087.7	8	disc
6	0.900.0087.8	7	disc
7	0.900.0109.8	1	box
8	0.900.0088.0	10	screw m 12 x 35
9	0.900.0088.1	2	screw m 6 x 25
10	0.900.0090.0	1	disc
11	0.900.0088.3	2	pin Ø 12 x 28
12	0.900.0090.1	2	bearing
13	0.900.0109.9	1	ring nut m 94 p.1.5
14	0.900.0088.6	2	bushing
15	0.900.0088.7	1	oil seal
16	0.900.0088.8	1	oil seal
17	0.900.0088.9	1	piston
18	0.900.0089.0	1	disc
19	0.900.0089.1	1	oil seal
20	0.900.0952.0	1	cover - KIT
21	0.900.0089.3	6	screw m 10 x 35
22	0.900.0089.8	1	oil seal
23	0.900.0089.9	2	ring nut m 94 p.1.5

**DOUBLE COUPLING**

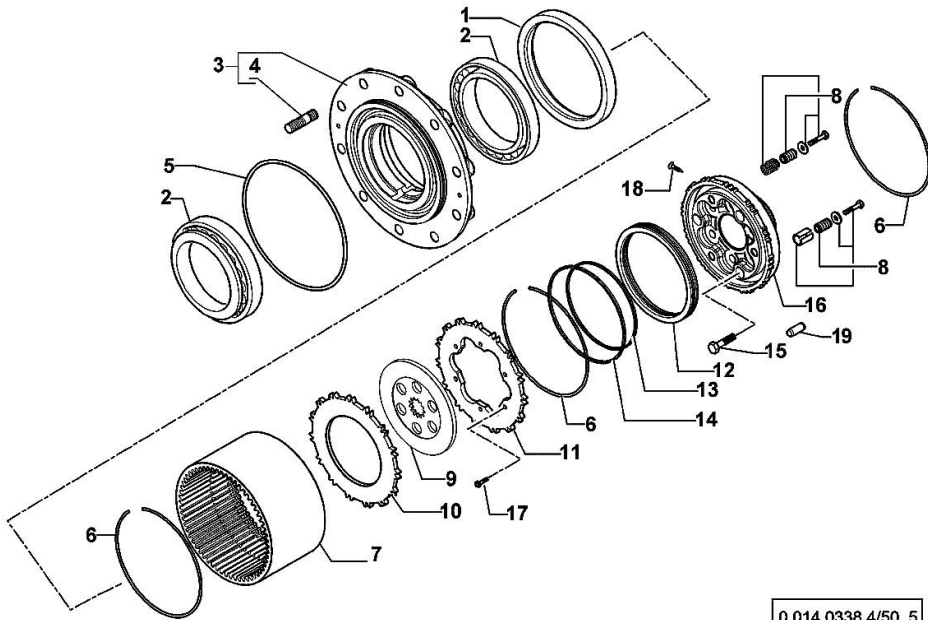
Fig.	P/n	QTY	Name
1	0.900.0913.3	1	axle shaft dx/rh/re
2	0.900.0090.9	2	cover
3	0.900.1547.1	2	circlip
4	0.900.0913.2	1	axle shaft sx/lh/li



0.014.0338.4/50\_4

**WHEEL HUB**

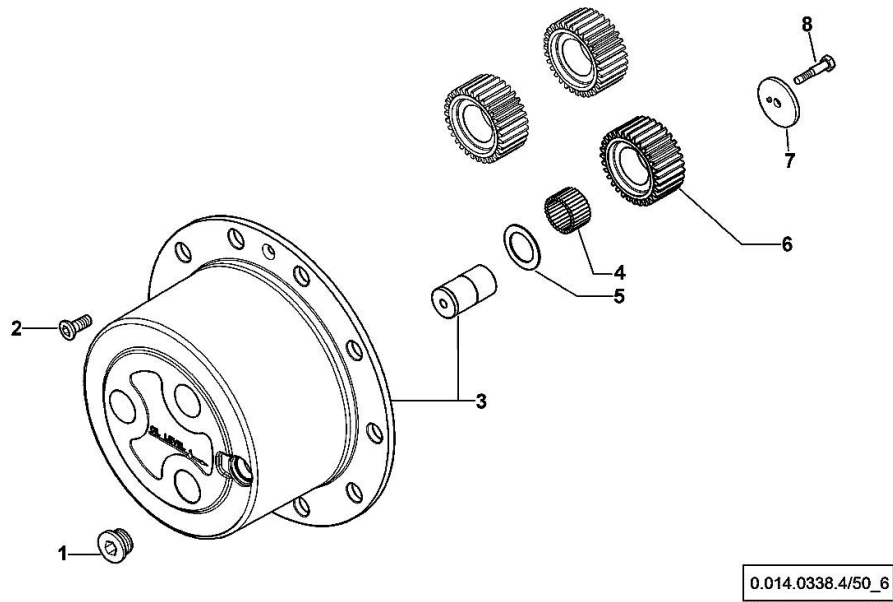
Fig.	P/n	QTY	Name
1	0.900.0115.6	2	circlip 165x195x16,5/18
2	0.900.0115.7	4	bearing
3	0.900.0503.1	2	wheel hub
4	0.900.0103.8	10	stud bolt
5	0.900.0104.1	2	ring
6	0.900.0503.2	3	ring
7	0.900.0503.3	2	crown wheel Z = 77
8	0.900.0898.9	2	assembly kit
9	0.900.0504.0	2	brake disc
10	0.900.0504.1	2	disc
11	0.900.0504.2	2	disc
12	0.900.0503.4	2	piston
13	0.900.0503.5	2	oil seal
14	0.900.0503.6	2	oil seal
15	0.900.0091.8	12	screw m 12 x 45
16	0.900.0503.7	2	hub
17	0.900.0503.8	4	screw m 4
18	0.900.0117.0	4	rivet
19	0.900.0899.6	4	pin



0.014.0338.4/50\_5

**PLANETARY GEAR**

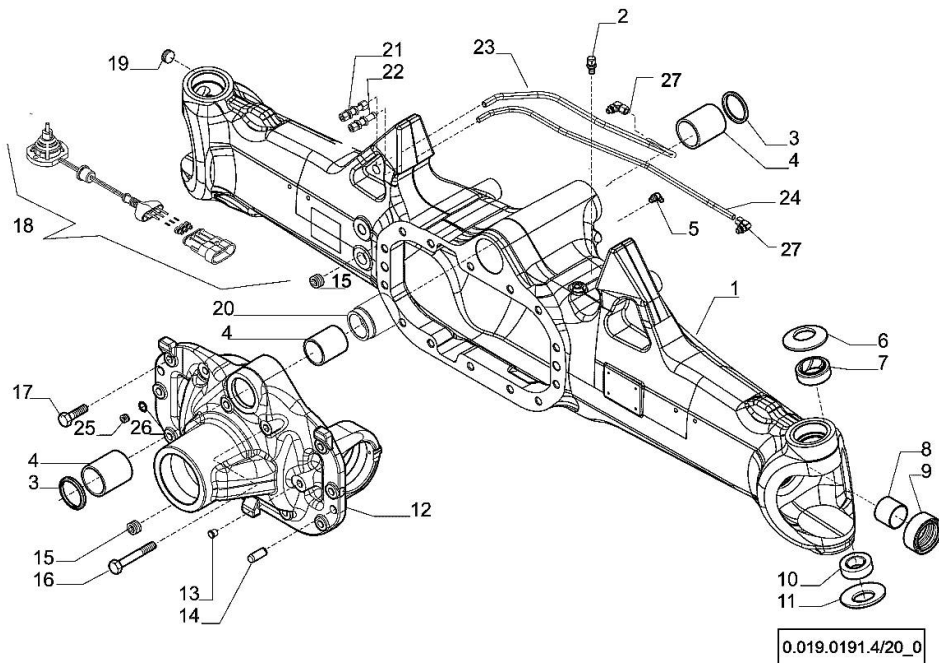
Fig.	P/n	QTY	Name
1	0.900.0092.1	2	plug m 30 p.2
2	0.900.0092.0	4	screw m 8 p.1.25 x 20
3	0.900.0504.7	2	spider
4	0.900.0504.3	17	roller
5	0.900.0504.4	6	slewing ring
6	0.900.0504.5	6	gear Z = 31
7	0.900.0504.6	6	slewing ring
8	0.900.0105.3	6	screw m10x50





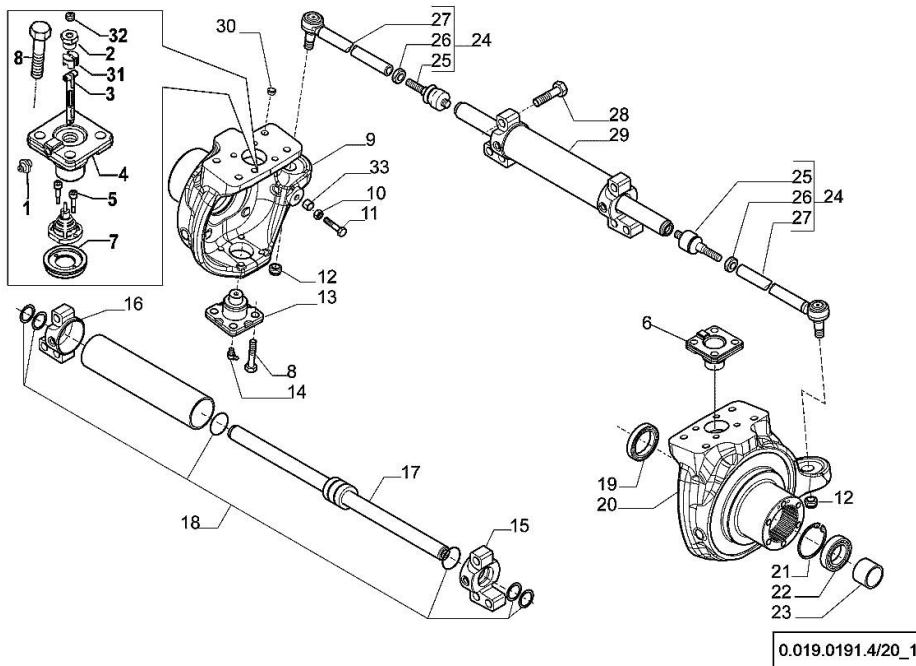
**DRIVEN FRONT AXLE**

Fig.	P/n	QTY	Name
1	0.900.0965.1	1	front axle
2	0.900.0079.8	1	breather m 10 p.1
3	0.900.0079.9	2	circlip
4	0.900.0080.0	3	bushing
5	0.900.0080.1	1	grease gun m 8 p.1, 45°
6	0.900.0080.2	2	spring
7	0.900.0080.3	2	bushing
8	0.900.0080.4	2	bushing
9	0.900.0912.6	2	oil seal 40x65x27,5
10	0.900.0080.6	2	bearing
11	0.900.0080.7	2	spring
12	0.900.0960.4	1	support
13	0.900.0893.4	1	plug D1
14	0.900.0081.0	2	pin Ø 15x45
15	0.900.0081.1	2	plug m 24 p.1.5
16	0.900.0081.2	2	screw m 14x75
17	0.900.0081.3	12	screw m14 x 40
18	0.900.0504.8	1	sensor - KIT
19	0.900.0081.6	1	plug m 26 p.1.5
20	0.900.0082.2	1	bushing
21	0.900.0081.7	1	pipe fitting
22	0.900.0081.8	1	pipe fitting
23	0.900.0965.2	1	tube
24	0.900.0965.3	1	tube
25	0.900.1641.1	1	plug
26	0.900.0541.6	1	washer
27	0.900.0107.0	2	pipe fitting



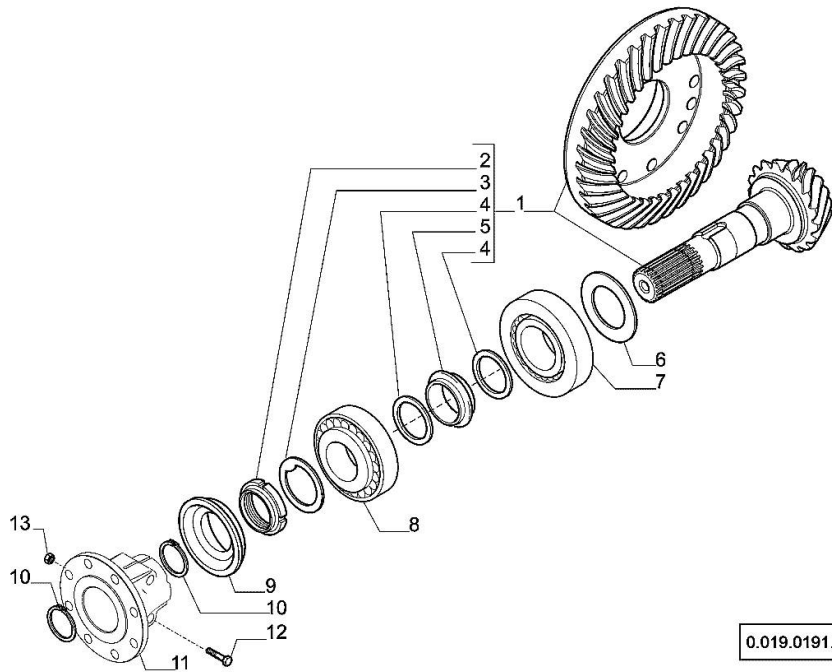
**STEERING CYLINDER**

Fig.	P/n	QTY	Name
1	0.900.0542.4	2	grease gun m 6 p.1
2	0.900.0082.4	2	screw m 20 p.1.5
3	0.900.0502.3	1	shaft
4	0.900.0502.5	1	pin
5	0.900.0082.7	2	screw m 4 x 10
6	0.900.2171.1	1	pin
7	0.900.0865.2	1	cover
8	0.900.0082.9	16	screw m 14 x 35
9	0.900.0118.0	1	fork sx/lh/li
10	0.900.0083.1	2	nut m 14
11	0.900.0948.6	2	screw m 14
12	0.900.0083.3	2	nut m 20 p.1
13	0.900.0083.4	2	pin
14	0.900.0083.5	2	grease gun m 6 p.1, 45°
15	0.900.0107.1	1	fork dx/rh/re
16	0.900.0107.2	1	fork sx/lh/li
17	0.900.0107.3	1	stem
18	0.900.0107.4	1	gasket set
19	0.900.0083.9	2	oil seal 56x80x13/14,5
20	0.900.0118.1	1	fork dx/rh/re
21	0.900.0112.0	2	circlip
22	0.900.0112.1	2	bearing
23	0.900.1547.0	2	spacer
24	0.900.0107.6	2	rod
25	0.900.0084.5	2	ball joint
26	0.900.0084.6	2	nut m 24x10
27	0.900.0107.7	2	rod
28	0.900.0105.9	6	screw m 20x80
29	0.900.0107.8	1	jack
30	0.900.0085.0	8	plug
31	0.900.0961.2	1	small block
32	0.900.0894.3	2	plug
33	0.900.0948.7	2	bush



**BEVEL WHEEL GEAR**

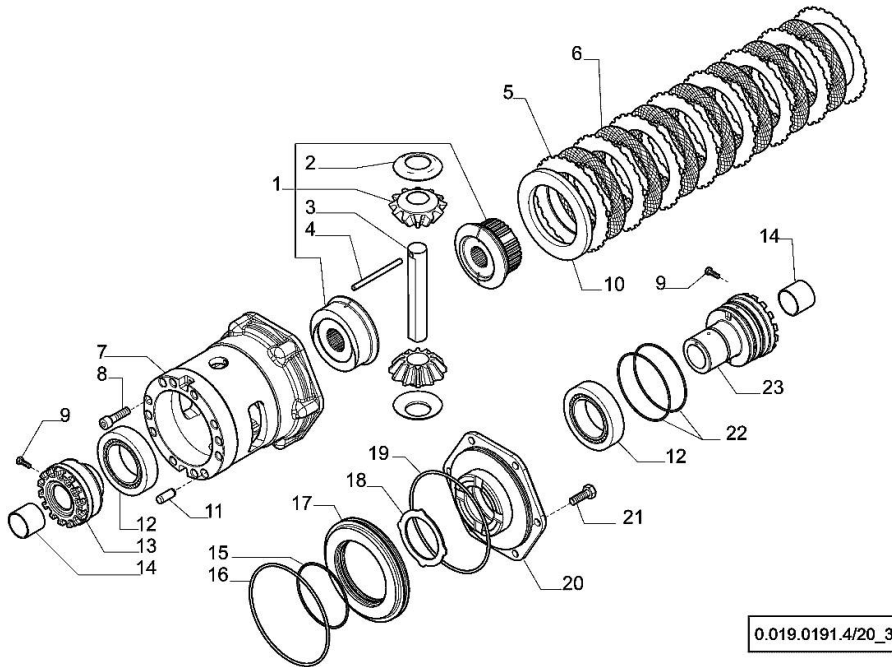
Fig.	P/n	QTY	Name
1	0.900.0502.6	1	bevel drive - KIT
2	0.900.0085.5	1	ring nut m 40 p.1.5
3	0.900.0085.6	1	washer
4	0.900.0085.7	2	washer
5	0.900.0108.1	1	spacer
6	0.900.0108.2		shim 2.50
6	0.900.0108.3		shim 2.60
6	0.900.0108.4		shim 2.70
6	0.900.0108.5		shim 2.80
6	0.900.0108.6		shim 3.00
6	0.900.0108.7		shim 2.90
6	0.900.0108.8		shim 3.10
6	0.900.0108.9		shim 3.20
6	0.900.0109.0		shim 3.30
6	0.900.0109.1		shim 3.40
7	0.900.0109.2	1	bearing
8	0.900.0086.9	1	bearing
9	0.900.0087.0	1	oil seal 35x92/98x13/27
10	0.900.0087.1	2	circlip d = 35
11	0.900.0960.5	1	flange
12	0.900.0960.9	2	screw
13	0.900.0961.0	2	nut



0.019.0191.4/20\_2

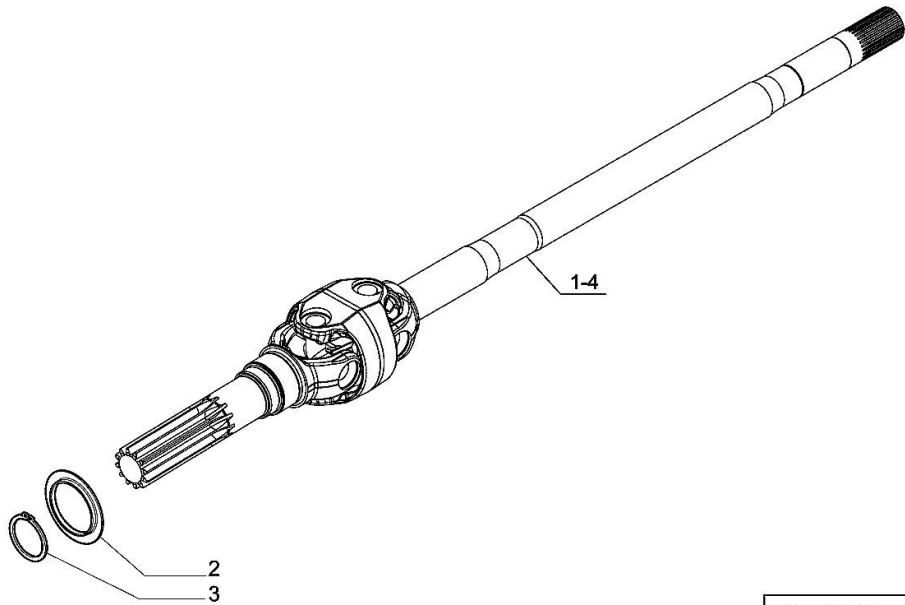
**DIFFERENTIAL**

Fig.	P/n	QTY	Name
1	0.900.0109.4	1	gear
2	0.900.0109.5	2	slewing ring
3	0.900.0109.6	1	pin
4	0.900.0109.7	1	pin Ø 6 x 86
5	0.900.0087.7	8	disc
6	0.900.0087.8	7	disc
7	0.900.0109.8	1	box
8	0.900.0088.0	10	screw m 12 x 35
9	0.900.0088.1	2	screw m 6 x 25
10	0.900.0090.0	1	disc
11	0.900.0088.3	2	pin Ø 12 x 28
12	0.900.0090.1	2	bearing
13	0.900.0109.9	1	ring nut m 94 p.1.5
14	0.900.0088.6	2	bushing
15	0.900.0088.7	1	oil seal
16	0.900.0088.8	1	oil seal
17	0.900.0088.9	1	piston
18	0.900.0089.0	1	disc
19	0.900.0089.1	1	oil seal
20	0.900.0952.0	1	cover - KIT
21	0.900.0089.3	6	screw m 10 x 35
22	0.900.0089.8	2	oil seal
23	0.900.0089.9	1	ring nut m 94 p.1.5



**DOUBLE COUPLING**

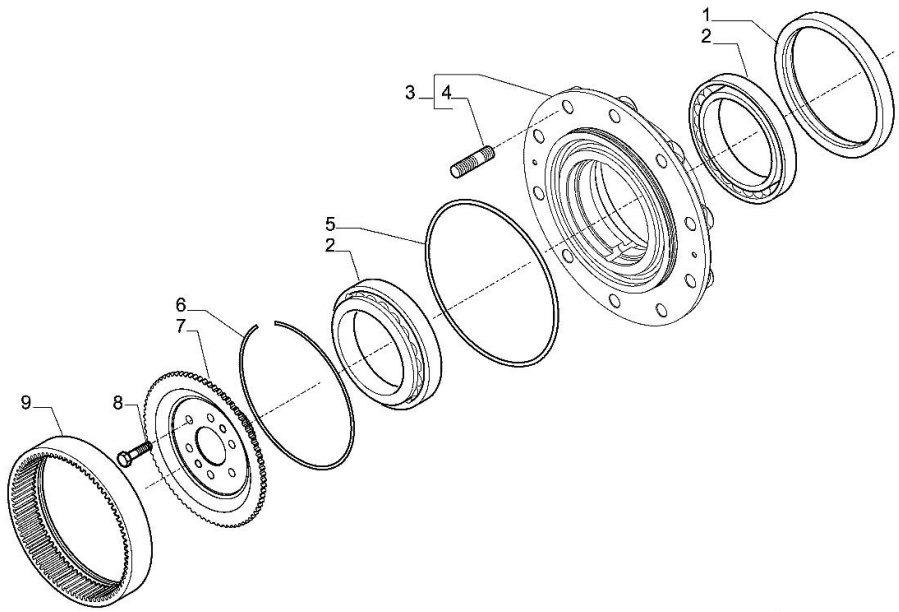
Fig.	P/n	QTY	Name
1	0.900.2062.7	1	joint dx/rh/re
2	0.900.0090.9	2	cover
3	0.900.1547.1	2	circlip
4	0.900.2062.8	1	joint sx/lh/li



0.019.0191.4/20\_4

**WHEEL HUB**

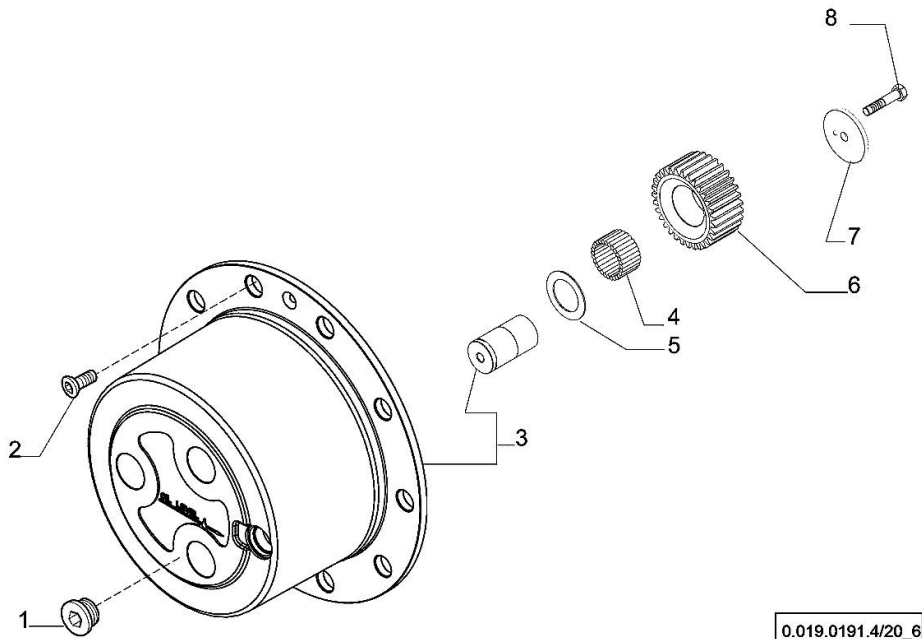
Fig.	P/n	QTY	Name
1	0.900.0115.6	2	circlip 165x195x16,5/18
2	0.900.1363.7	4	bearing
3	0.900.0503.1	2	wheel hub
4	0.900.0103.8	10	stud bolt
5	0.900.0104.1	2	ring
6	0.900.0503.2	2	ring
7	0.900.2062.9	2	hub
8	0.900.0091.8	12	screw m 12 x 45
9	0.900.2063.0	2	crown wheel Z = 77



0.019.0191.4/20\_5

**PLANETARY GEAR**

Fig.	P/n	QTY	Name
1	0.900.0092.1	2	plug m 30 p.2
2	0.900.0092.0	4	screw m 8 p.1.25 x 20
3	0.900.2063.1	2	spider
4	0.900.0504.3	17	roller
5	0.900.0504.4	6	slewing ring
6	0.900.0504.5	6	gear Z = 31
7	0.900.0504.6	6	slewing ring
8	0.900.0105.3	6	screw m10x50



0.019.0191.4/20\_6

Thank you so much for reading.  
Please click the “Buy Now!”  
button below to download the  
complete manual.



After you pay.

You can download the most  
perfect and complete manual in  
the world immediately.

Our support email:

[ebooklibonline@outlook.com](mailto:ebooklibonline@outlook.com)