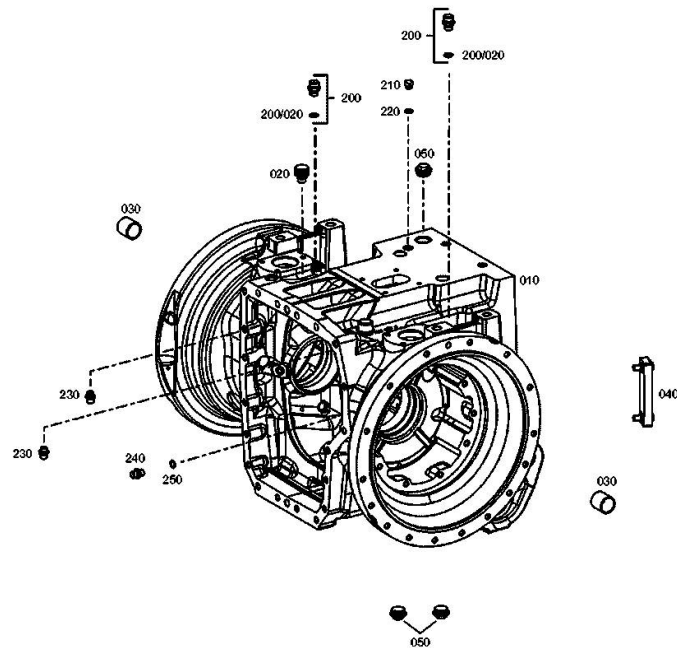


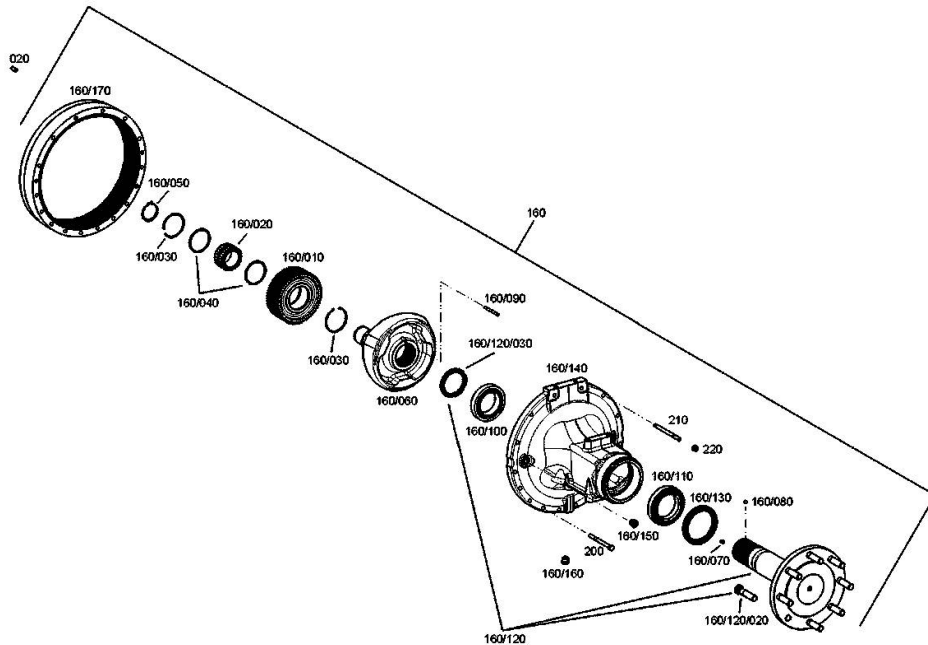
REAR GEARBOX CASE - 2093 011 016

Fig.	P/n	QTY	Name
10	0.900.2058.4	1	gear box
20	04417453	1	plug
30	04417451	2	bushing
40	0.900.2046.0	1	level indicator
50	0.010.3849.1	3	plug
200	0.900.2219.3	2	pipe union
200.20	0.900.1239.4	1	oil seal 15.3x2.4
210	0.900.2018.0	1	plug m 14 p.1.5
220	04423731	1	oil seal 14 x 18
230	04417705	2	vent
240	0.900.2209.1	1	pipe union
250	04423731	1	oil seal 14 x 18



REAR AXLE - 2093 011 016

Fig.	P/n	QTY	Name
20	0.900.0278.2	2	pin 12 x 24
160	0.900.2124.4	2	tube
160.10	0.900.1569.0	3	planet gear
160.20	0.900.1236.2	3	bearing
160.30	0.900.1236.3	6	circlip
160.40	0.900.1236.4	6	ring
160.50	0.900.1236.5	3	circlip
160.60	0.900.1236.6	1	spider
160.70	0.010.3588.2	1	grub screw m 10x16
160.80	04309268	1	ball
160.90	0.900.0278.3	1	roll pin 8x90
160.100	0.900.1236.7	1	bearing
160.110	0.900.2210.1	1	bearing
160.120	0.900.2210.0	1	shaft
160.120.20	0.900.2260.8	8	support
160.120.30	0.900.1237.3	1	ring nut
160.130	0.010.3642.2	1	ring
160.140	0.900.2059.1	1	tube
160.150	0.900.0001.8	2	plug
160.160	0.010.3849.0	1	plug
160.170	0.900.1237.5	1	crown wheel
200	0.900.2017.7	28	screw
210	0.900.2219.7	4	stud bolt m12x150
220	0.900.2017.8	4	nut



DIFFERENTIAL - 2093 011 016

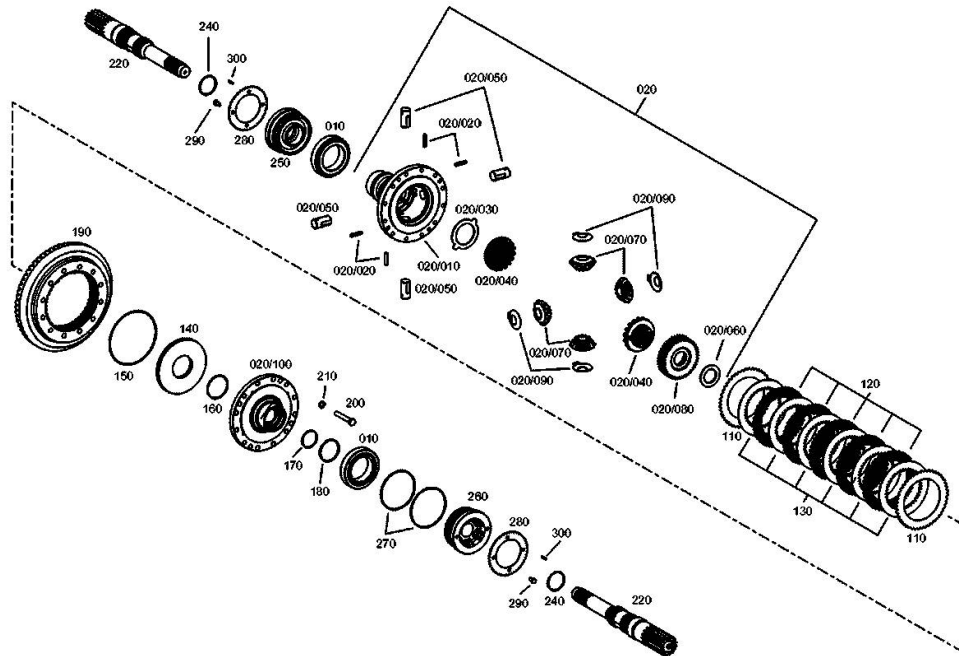


Fig.	P/n	QTY	Name
10	0.010.3580.1	2	roller bearing
20	0.900.2058.5	1	differential carrier
20.10	0.900.2058.6	1	differential carrier
20.20	0.010.3349.0	4	roll pin 8 x 40
20.30	0.900.1586.4	1	slewing ring
20.40	0.900.1584.4	2	crown wheel Z = 18
20.50	0.900.1588.4	4	axle
20.60	0.900.0124.0	1	slewing ring
20.70	0.900.1584.3	4	planet gear z=12
20.80	0.900.2049.2	1	sleeve Z = 31 Z = 41
20.90	0.900.1586.5	4	slewing ring S = 1.50
20.100	0.900.1234.9	1	cover
20.110	0.900.2207.5	4	roll pin
110	0.900.1377.4	2	disc Z = 46
120	0.900.1226.8	5	disc Z = 46
130	0.900.1377.2	6	disc Z = 41
140	0.900.0123.6	1	piston
150	0.900.0451.5	1	oil seal
160	0.900.0268.5	1	oil seal 69 x 3
170	0.900.0800.7	1	ring 55 x 2.5
180	0.900.0800.8	1	ring 70 x 3.0
190	0.900.1547.8	1	bevel ring gear z=56
200	0.010.3729.2	12	screw m 12 x 80
210	0.900.0277.9	12	washer
220	0.900.2058.7	2	shaft
240	0.010.2970.1	2	gasket
250	04428944	1	register
260	04428945	1	register
270	0.900.0278.7	2	ring
280	04417449	2	plate
290	0.900.2016.5	4	screw
300	04435703	2	pin 5 x 20

P.T.O. - POWER TAKE OFF - 2093 011 016

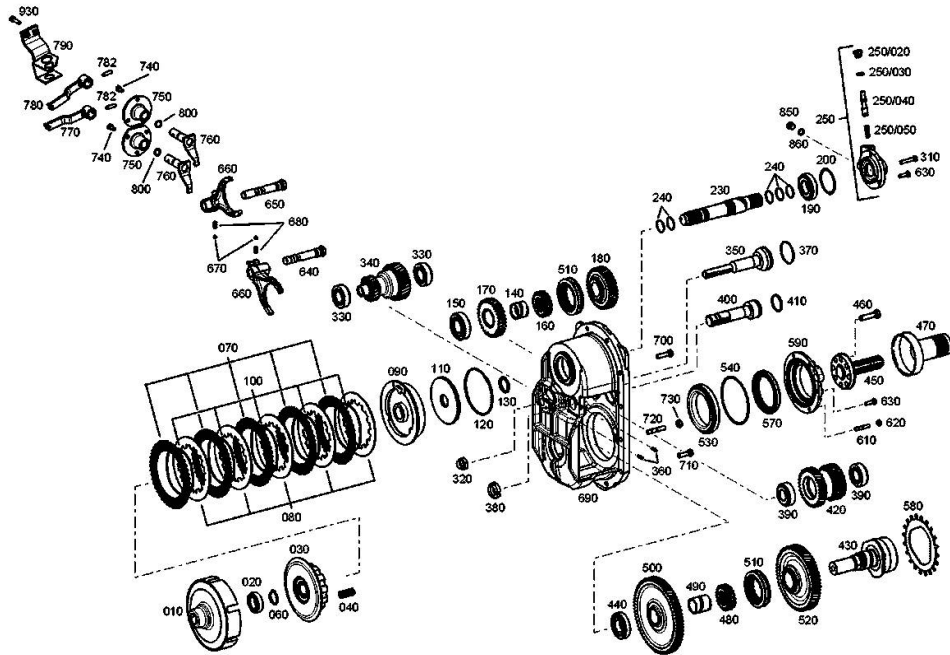


Fig.	P/n	QTY	Name
10	0.900.0124.5	1	clutch housing Z = 46
20	0.900.0469.0	1	ball bearing
30	0.900.2049.7	1	support Z = 16
40	0.900.0489.9	8	spring
60	0.900.0467.7	1	circlip 34x2.5
70	0.900.1377.3	5	disc Z = 46
80	0.900.1226.7	5	disc
90	0.900.2049.8	1	cylinder
100	0.900.1431.4	5	spring
110	0.900.0490.0	1	piston
120	0.900.0468.4	1	oil seal 120x3
130	0.900.0490.1	1	shim
140	04417639	1	special bushing
150	0.900.1385.1	1	bearing
160	04417641	1	support
170	0.900.2260.9	1	gear wheel
180	0.900.1432.4	1	gear wheel
190	0.900.1385.0	1	bearing
200	0.900.0294.8	1	washer
200	0.900.0294.9	1	washer s = 0.15
200	04417362	1	shim s = 0.40
230	0.900.2047.8	1	shaft Z = 16
240	0.900.0293.6	5	locking segment
250	0.900.2047.9	1	cover
250.20	0.900.2078.2	1	plug m16x1,5
250.30	04436331	1	oil seal 16 x 20
250.40	0.900.2049.9	1	piston
250.50	0.900.2045.9	1	spring
310	0.900.2246.8	1	screw m8x45
320	0.900.0124.8	1	ring nut
330	0.900.0293.9	2	roller bearing
340	0.900.2261.0	1	gear
350	04417652	1	pin
360	04433234	2	roll pin 6x20
370	0.900.0468.3	1	oil seal 57x2
380	04424372	1	ring nut
390	0.900.0293.9	2	roller bearing
400	04417656	1	pin
410	0.900.0468.6	1	oil seal 40x3
420	0.900.2261.1	1	gear wheel
430	0.900.0802.5	1	shaft Z = 18
440	0.900.1385.0	1	bearing
450	04417388	1	shaft
460	0.900.2017.2	8	screw

P.T.O. - POWER TAKE OFF - 2093 011 016

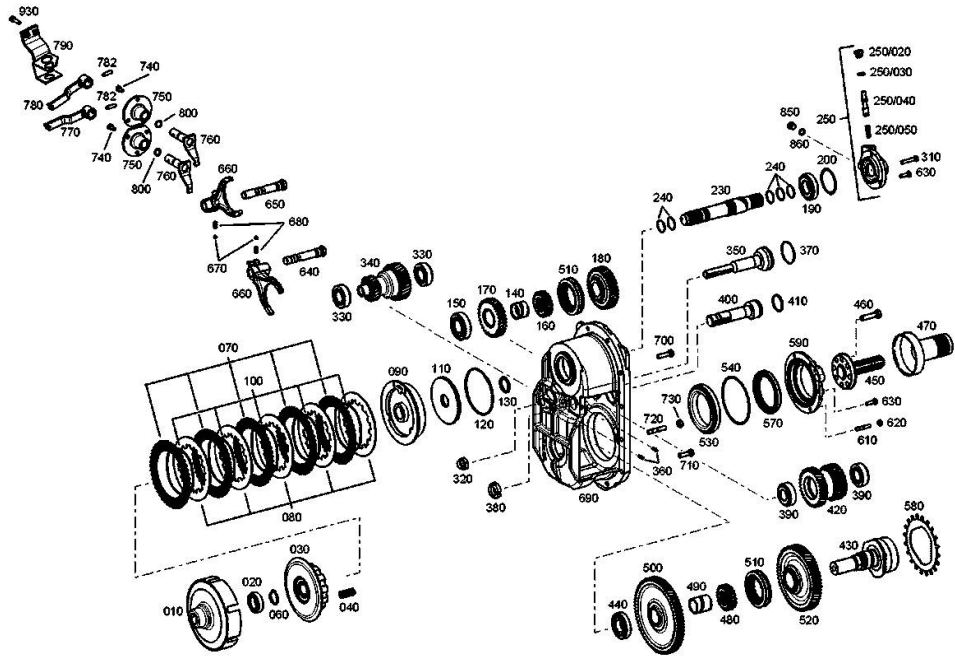
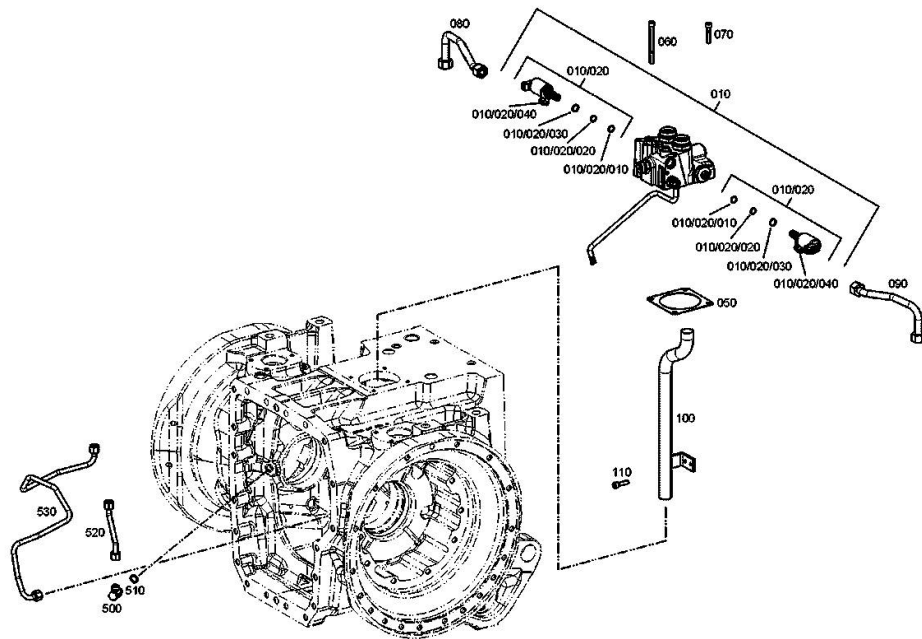


Fig.	P/n	QTY	Name
470	04417440	1	guard
480	04417641	1	support
490	04417681	1	special bushing
500	0.900.0884.4	1	gear z=66
510	04431727	2	sleeve
520	0.900.0877.3	1	gear z=56
530	0.900.0282.9	1	roller bearing
540	04417391	1	shim s = 0.10
540	04417392	1	shim s = 0.15
540	04417393	1	shim s = 0.40
570	0.900.2208.8	1	ring
580	0.900.1432.0	1	gear
590	04417438	1	cover
610	0.900.2016.4	4	grub screw
620	0.900.2017.3	4	nut
630	04434498	4	screw m 8 x 25
640	0.900.1432.6	1	rod
650	0.900.1432.7	1	rod
660	0.010.3848.1	2	fork
670	04415909	2	ball
680	04417378	2	spring
690	0.900.2049.6	1	box
700	0.900.2017.4	1	screw
710	0.900.2081.9	9	screw m10x35
720	0.900.2017.5	2	stud bolt
730	0.900.2017.6	2	nut
740	0.900.2016.5	6	screw
750	04417692	2	bearing
760	04417693	2	pin
770	0.900.0122.9	1	lever
780	04413418	1	lever
782	0.010.2894.1	2	pin 8 x 30
790	04439216	1	bracket
800	0.900.0278.8	2	oil seal
850	0.900.2018.2	1	plug
860	04423731	1	oil seal 14 x 18
930	04434546	2	screw m 8 x 30

OIL SUPPLY - 2093 011 016

Fig.	P/n	QTY	Name
10	0.900.0984.8	1	valve
10.20	0.900.0952.8	2	solenoid valve DV
10.20.10	0.900.1377.6	1	gasket 13 x 1.5
10.20.20	0.900.1377.5	1	gasket 12,4 x 1,78
10.20.30	0.900.1377.7	1	gasket 14x1.78
10.20.40	0.900.1377.8	1	screw m 8 x 16
50	0.900.0885.3	1	gasket
60	0.900.0882.4	2	screw m 8x95
70	0.900.0882.1	2	screw m 8 x 40
80	0.900.0954.0	1	gasket
90	0.900.0954.1	1	pipng
100	0.900.0883.3	1	tube
110	04434509	2	screw m 8 x 30
500	0.900.2261.2	1	pipe fitting
510	04423731	1	oil seal 14 x 18
520	0.010.2973.0	1	pipng
530	0.010.2899.2	1	tube



OIL SUPPLY - 2093 011 016

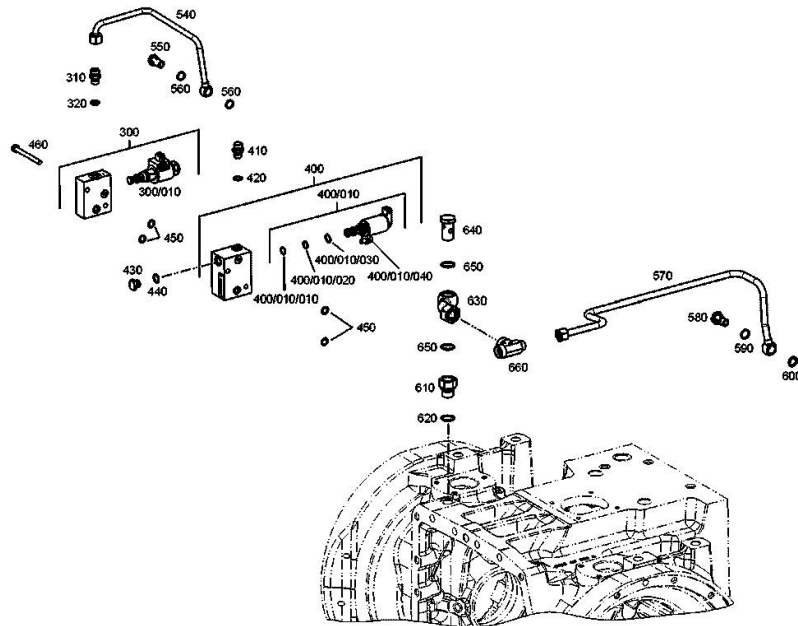
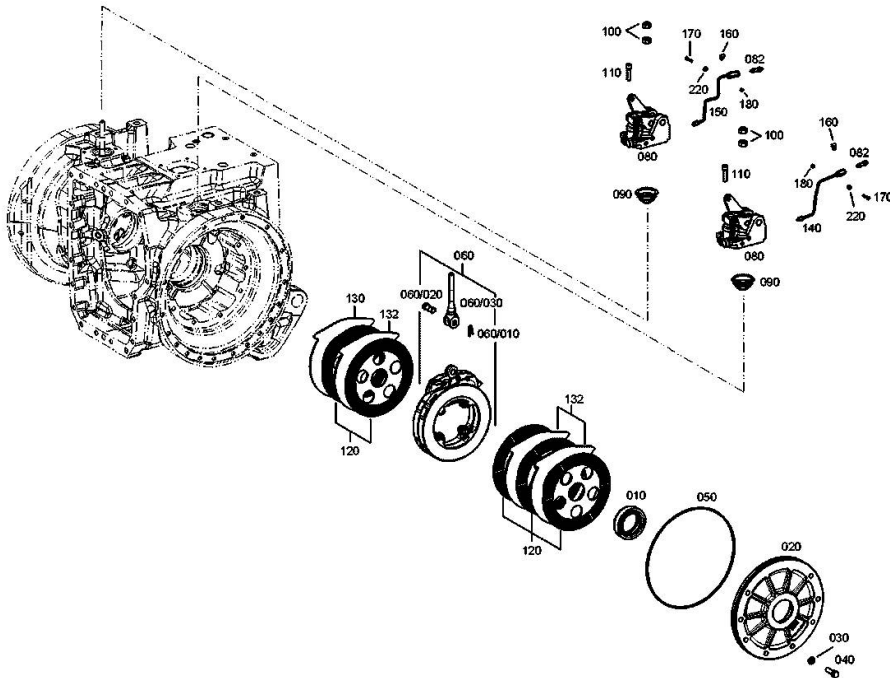


Fig.	P/n	QTY	Name
30.10	0.900.1384.6	1	solenoid valve
300	0.900.1363.3	1	small block
310	0.900.2209.1	1	pipe union
320	04423731	1	oil seal 14 x 18
400	0.900.0952.1	1	control
400.10	0.900.0952.8	1	solenoid valve DV
400.10.10	0.900.1377.6	1	gasket 13 x 1.5
400.10.20	0.900.1377.5	1	gasket 12,4 x 1,78
400.10.30	0.900.1377.7	1	gasket 14x1.78
400.10.40	0.900.1377.8	1	screw m 8 x 16
410	0.900.2209.1	1	pipe union
420	04423731	1	oil seal 14 x 18
430	0.900.2018.0	1	plug m 14 p.1.5
440	04423731	1	oil seal 14 x 18
450	0.900.0801.4	4	ring 11,3 x 2,4 NBR-70-10
460	0.900.1363.4	2	screw
540	0.900.1363.2	1	tube
550	0.900.2189.8	1	screw
560	04423731	2	oil seal 14 x 18
570	0.010.2894.2	1	pipng
580	04427560	1	pipe union
590	04436331	1	oil seal 16 x 20
600	0.010.2895.0	1	gasket 14x20
610	0.010.3826.2	1	pipe fitting
620	01118737	1	oil seal 22 x 27
630	0.010.3826.0	1	pipng
640	0.900.2260.5	1	screw
650	01118737	2	oil seal 22 x 27
660	0.900.2261.3	1	pipe fitting

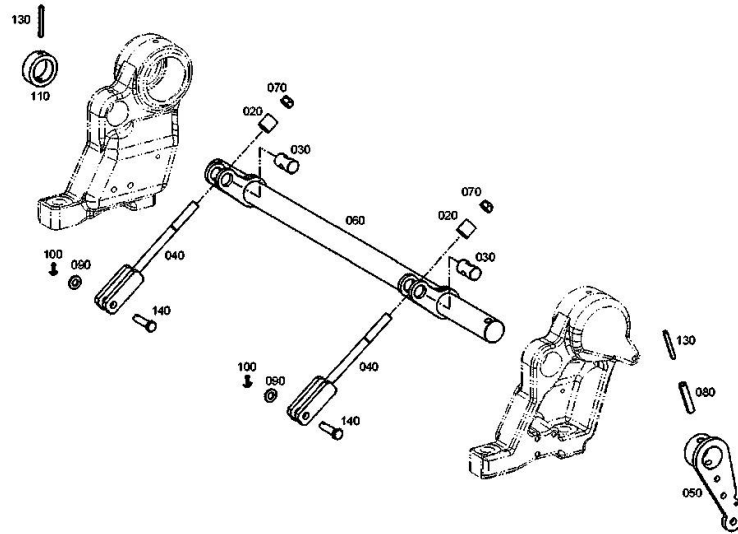
REAR BRAKES - 2093 011 016

Fig.	P/n	QTY	Name
10	04417316	2	oil seal
20	0.900.1239.5	2	cover
30	0.900.0277.9	4	washer
40	0.900.2018.4	16	screw
50	04428220	2	oil seal 305x4
60	0.900.1583.9	2	transmission brake
60.10	04435741	1	split pin
60.20	04435740	1	pin
60.30	04428551	1	rod
80	0.900.2018.5	2	operation
82	0.900.2124.5	2	breather
90	0.900.0800.9	2	rubber bushing
100	0.900.2019.0	4	nut
110	0.900.0469.7	6	screw m 10 x 40
120	0.900.1584.6	10	disc
130	0.900.0801.3	2	disc
132	0.900.0946.6	6	thin plate
140	04428545	1	tube sx/lh/li
150	04428546	1	pipng dx/rh/re
160	0.900.0468.2	2	clamp 6x12
170	0.900.2247.1	2	screw M5X25
180	0.900.2181.3	2	nut
220	0.900.2181.4	2	nut



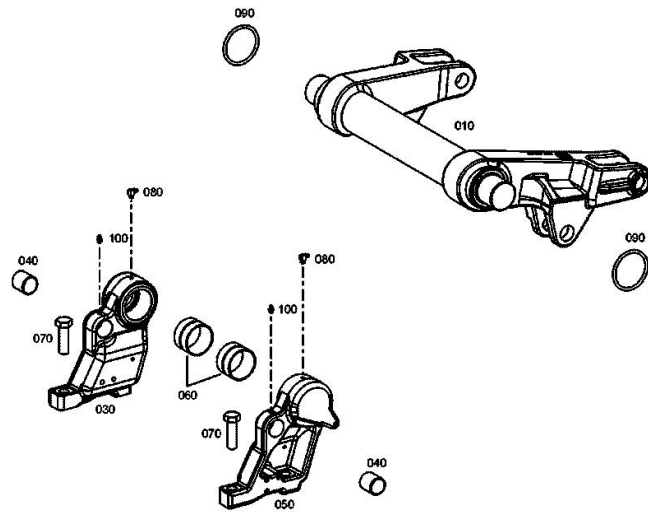
BRAKE CONTROLS - 2093 011 016

Fig.	P/n	QTY	Name
20	0.900.1239.8	2	tube
30	0.900.1239.9	2	pin
40	0.900.2018.6	2	rod
50	0.900.2124.6	1	lever
60	0.900.2018.8	1	shaft
70	0.900.2247.2	2	nut m12
80	0.900.2018.9	1	pin
90	0.900.0466.9	2	washer
100	0.900.2082.0	2	pin
110	0.900.1240.3	1	spacer
130	0.010.2901.1	2	pin 6x50
140	0.900.2015.9	2	ring



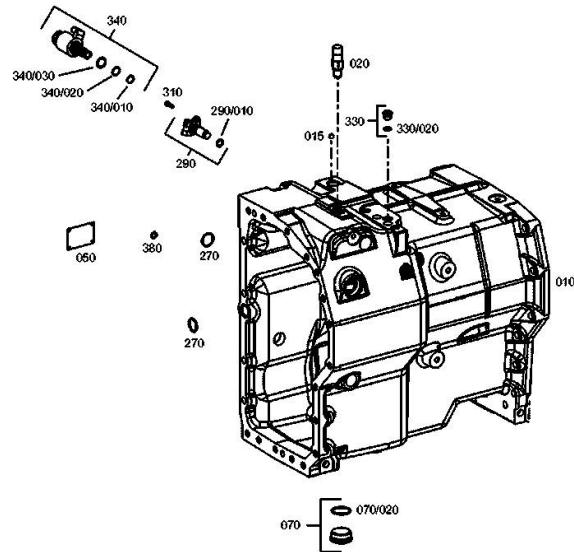
LIFTING - 2093 011 016

Fig.	P/n	QTY	Name
10	0.900.0883.4	1	shaft
30	0.900.1407.9	1	bearing block dx/rh/re
40	0.900.1431.3	2	bearing
50	0.900.1408.0	1	bearing block sx/lh/li
60	04417549	2	special bushing
70	0.900.0469.1	4	screw m 20x65
80	0.900.0498.6	2	grease gun
90	04417552	2	ring 78.5x6
100	0.900.2247.3	2	grease gun m8x1



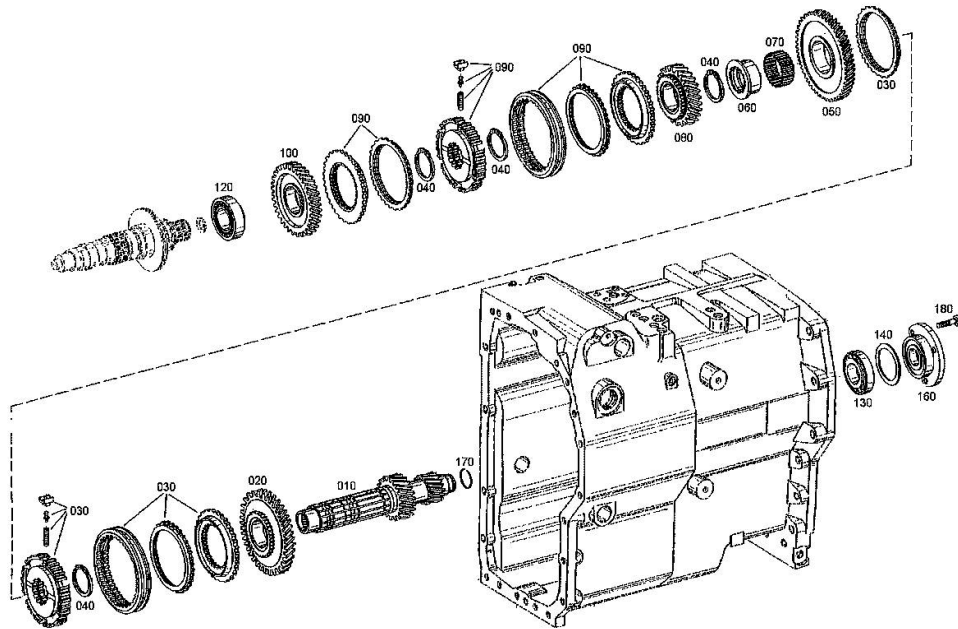
GEARBOX - 2093 011 021

Fig.	P/n	QTY	Name
10	0.900.2048.9	1	gear box
15	04309268	1	ball
20	04416066	1	switch
50	04415260	1	plate
70	0.900.2246.1	1	pipe union
70.20	0.900.2246.2	1	gasket 38x2.2
270	0.010.3257.2	2	gasket 28x2.5
290	04438450	1	speed sensor L = 53,0mm
290.10	04417747	1	oil seal 15.54x2.62
310	04434551	1	screw m 8 p.1.25 x 20
330	04435199	1	screw
330.20	02315162	1	oil seal 13x2
340	0.900.2094.5	1	solenoid valve
380	01160038	1	oil seal



LAYSHAFT - 2093 011 021

Fig.	P/n	QTY	Name
10	0.900.0125.7	1	shaft
20	0.900.1380.7	1	gear Z = 47
30	0.900.0881.6	1	lock synchronizer
40	04415687	4	circlip
50	0.900.1380.8	1	gear Z = 58
60	04417177	1	bush L = 32.3
60	04417178	1	bush L = 32.4
60	04417179	1	bush L = 32.5
60	04417180	1	bush L = 32.6
60	04417181	1	bush L = 32.7
60	04417182	1	bush L = 32.8
70	0.010.2849.1	1	roller cage
80	0.900.1380.6	1	gear
90	0.900.0881.7	1	lock synchronizer
100	0.900.0071.0	1	gear
120	0.010.3759.0	1	roller bearing
130	04415697	1	roller bearing
140	02965988	1	shim mm 2.40
140	04334537	1	shim mm 2.60
140	04334538	1	shim mm 2.55
140	04334539	1	shim mm 2.50
140	04334540	1	shim mm 2.45
140	04334541	1	shim mm 2.35
140	04334542	1	shim mm 2.30
140	04334543	1	shim mm 2.25
140	04334544	1	shim mm 2.20
140	04334545	1	shim mm 2.15
140	04334546	1	shim mm 2.10
140	04334547	1	shim mm 2.05
140	04334548	1	shim mm 2.00
140	04334549	1	shim mm 1.95
140	04334550	1	shim mm 1.90
140	04334551	1	shim mm 1.85
140	04334552	1	shim mm 1.80
140	04334553	1	shim mm 1.75
140	04334554	1	shim mm 1.70
140	04433184	1	shim mm 1.65
140	04433185	1	shim mm 1.60
140	04436332	1	shim mm 1.725
140	04436333	1	shim mm 1.775
140	04436334	1	shim mm 1.875
140	04436335	1	shim mm 1.925
140	04436336	1	shim mm 1.975
160	04415760	1	cover



MAIN SHAFT - 2093 011 021

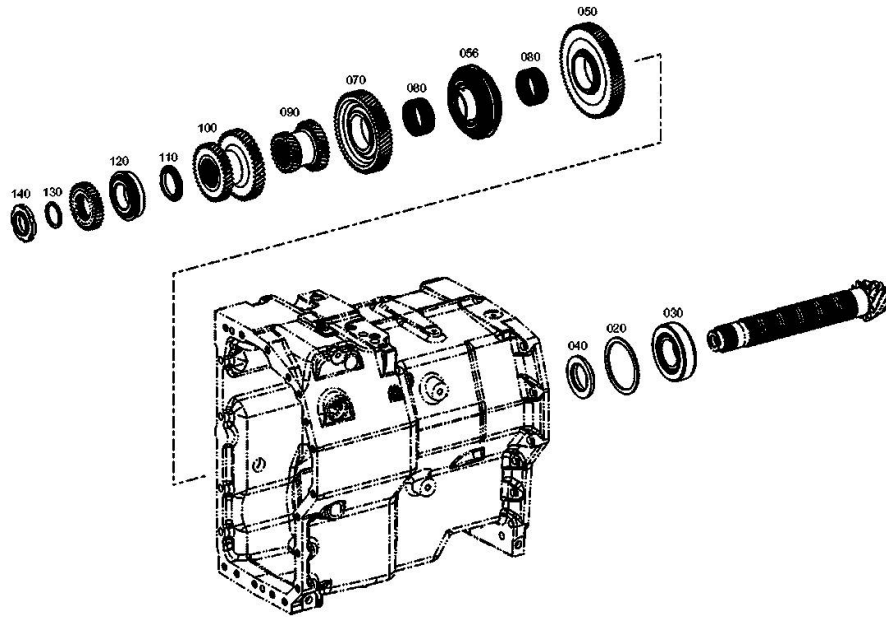
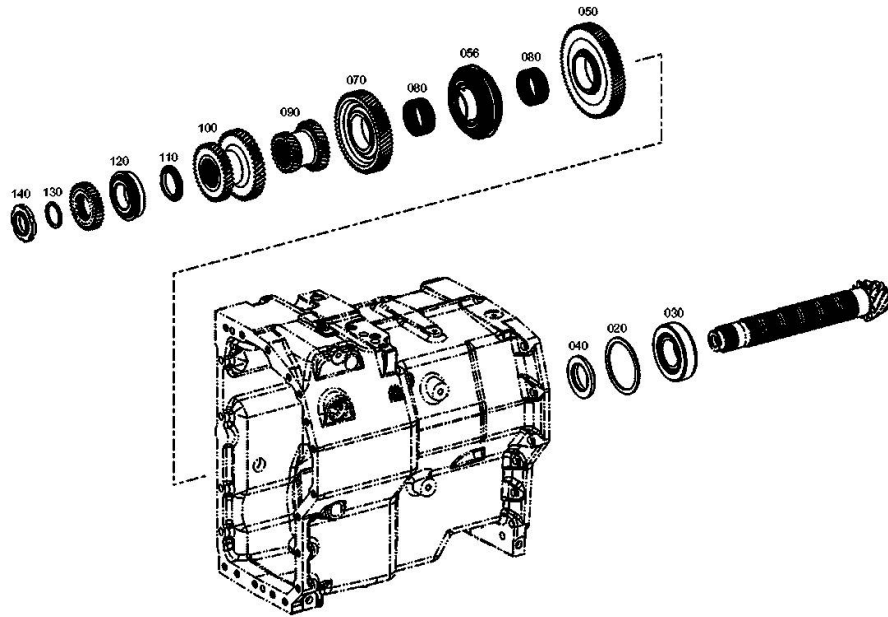


Fig.	P/n	QTY	Name
11	04417159	1	shim s = 10.4
20	0.010.2849.2	1	shim s = 3.75
20	0.010.2850.0	1	shim s = 3.70
20	0.010.2850.1	1	shim s = 3.65
20	0.010.2850.2	1	shim s = 3.60
20	0.010.2851.0	1	shim s = 3.55
20	0.010.2851.1	1	shim s = 3.50
20	0.010.2851.2	1	shim s = 3.45
20	0.010.2852.0	1	shim s = 3.40
20	0.900.1459.7	1	shim s = 3.2
20	0.900.1459.8	1	shim s = 3.25
20	0.900.1459.9	1	shim s = 3.3
20	0.900.1460.0	1	shim s = 3.35
20	04417170	1	shim s = 3.95
20	04417171	1	shim s = 3.9
20	04417172	1	shim s = 3.85
20	04417173	1	shim s = 3.8
20	04417174	1	shim s = 4.0
20	04417175	1	shim s = 4.05
20	04417176	1	shim s = 4.10
30	0.900.0882.5	1	roller bearing
40	0.900.1459.6	1	slewing ring Z = 46
50	0.900.1381.1	1	gear Z = 75
56	0.010.3840.2	1	lock synchronizer
70	0.900.1380.9	1	gear z = 57
80	04427570	2	roller cage
90	0.900.1381.2	1	gear Z = 31
100	0.900.1381.0	1	gear z=39/41
110	0.010.2858.0	1	shim s = 10.25
110	0.010.2858.1	1	shim s = 10.45
110	0.010.2858.2	1	shim s = 10.50
110	0.010.2859.0	1	shim s = 10.55
110	0.010.2859.1	1	shim s = 10.60
110	04417160	1	shim s = 10.3
110	04417161	1	shim s = 10.2
110	04417162	1	shim s = 10.1
110	04417163	1	shim s = 10.0
110	04417164	1	shim s = 9.9
110	04417165	1	shim s = 9.8
110	04417166	1	shim s = 9.7
110	04417167	1	shim s = 9.6
110	04424444	1	shim s = 9.85
110	04424445	1	shim s = 9.95
110	04424446	1	shim s = 10.05

MAIN SHAFT - 2093 011 021

Fig.	P/n	QTY	Name
110	04424447	1	shim s = 10.15
110	04435222	1	shim s = 10.35
120	04416082	1	roller bearing
130	0.010.2859.2	1	shim s = 3.75
130	0.010.2860.0	1	shim s = 3.80
130	0.010.2860.1	1	shim s = 3.85
130	0.010.2860.2	1	shim s = 3.90
130	0.010.2861.0	1	shim s = 3.95
130	0.010.2861.1	1	shim s = 4.00
130	0.900.1462.0	1	shim s = 2.70
130	0.900.1462.1	1	shim s = 2.8
130	04417146	1	shim s = 3.4
130	04417147	1	shim s = 3.35
130	04417148	1	shim s = 3.3
130	04417149	1	shim s = 3.25
130	04417150	1	shim s = 3.2
130	04417151	1	shim s = 3.15
130	04417152	1	shim s = 3.1
130	04417153	1	shim s = 3.45
130	04417154	1	shim s = 3.50
130	04417155	1	shim s = 3.55
130	04417156	1	shim s = 3.60
130	04417157	1	shim s = 3.65
130	04417158	1	shim s = 3.70
130	04424442	1	shim s = 2.90
130	04424443	1	shim s = 3.00
140	04415763	1	ring nut



Thank you so much for reading.
Please click the “Buy Now!”
button below to download the
complete manual.



After you pay.

You can download the most
perfect and complete manual in
the world immediately.

Our support email:

ebooklibonline@outlook.com