

Section: ENGINE
CRANKCASE

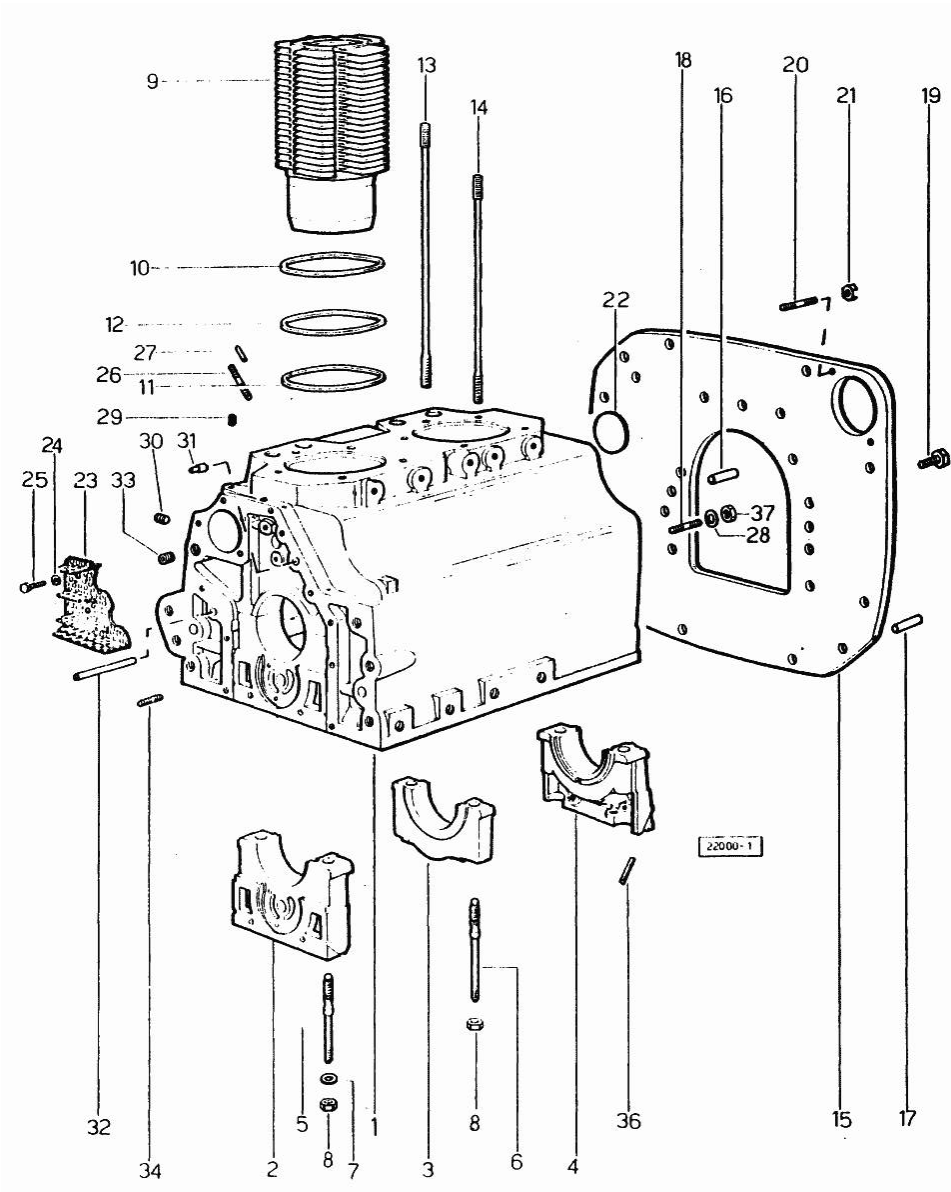


Fig.	P/n	QTY	Name
------	-----	-----	------

Notes:
 [FOX 35]

0	0.034.0050.6/10	1	gasket set FOR ENGINE ASSEMBLY
1	0.034.1110.4/30	1	crankcase
2	0.004.8776.0	1	support
3	0.029.1113.0	1	support
4	0.029.1116.0	1	support
5	0.021.1157.0	4	stud bolt
6	0.029.1117.0	2	stud bolt
7	2.1599.144.7	6	shoulder ring 12.5x23x4
8	2.1019.026.7	6	special nut m 12 p.1.5
9	0.036.1120.0/10	2	engine cylinder
10	2.1589.036.0	2	shim
11	2.1569.055.0	2	shim
12	2.1589.037.0	2	shim
13	0.039.1122.0	8	stud bolt m 12 p.1.5x310
14	0.037.1122.0	2	stud bolt
15	0.029.1130.0/20	1	flange
16	2.1653.708.0	2	pin 8x18
17	2.1652.911.0	2	cylindrical plug 12x25
18	2.0432.153.1	2	stud bolt m 10 p.1.5 / p.1.25 x 20
19	2.0112.511.1	11	screw m 14 p.2 x 30
20	2.0432.257.1	2	stud bolt m 12 p.1.75 - 1.25 x 30
21	2.1011.207.2	2	nut m 12 p.1.5
22	2.3170.022.1	1	expansion plug 60
23	0.029.1155.2/10	1	plate
24	2.1470.002.2	2	lock washer 6
25	2.0112.002.2	2	screw m 6 p.1 x 10
26	2.0432.159.1	2	stud bolt m 10 x 35
27	2.1653.708.0	1	pin 8x18
28	2.1474.010.1	2	spring washer 10
29	2.3130.001.1	2	plug 1/8" gas
30	2.3139.001.1	2	plug
31	2.1699.021.0	1	pin 7.8x8x20
32	2.1699.116.0	1	pin
33	2.3130.002.1	2	plug 1/4" gas
34	2.0432.018.1	5	stud bolt m 8 p.1.25 / p.1 x 65
36	0.029.1154.0	4	gasket
37	2.1011.421.2	2	nut m 10 p.1.25

Section: ENGINE
TIMING CASE

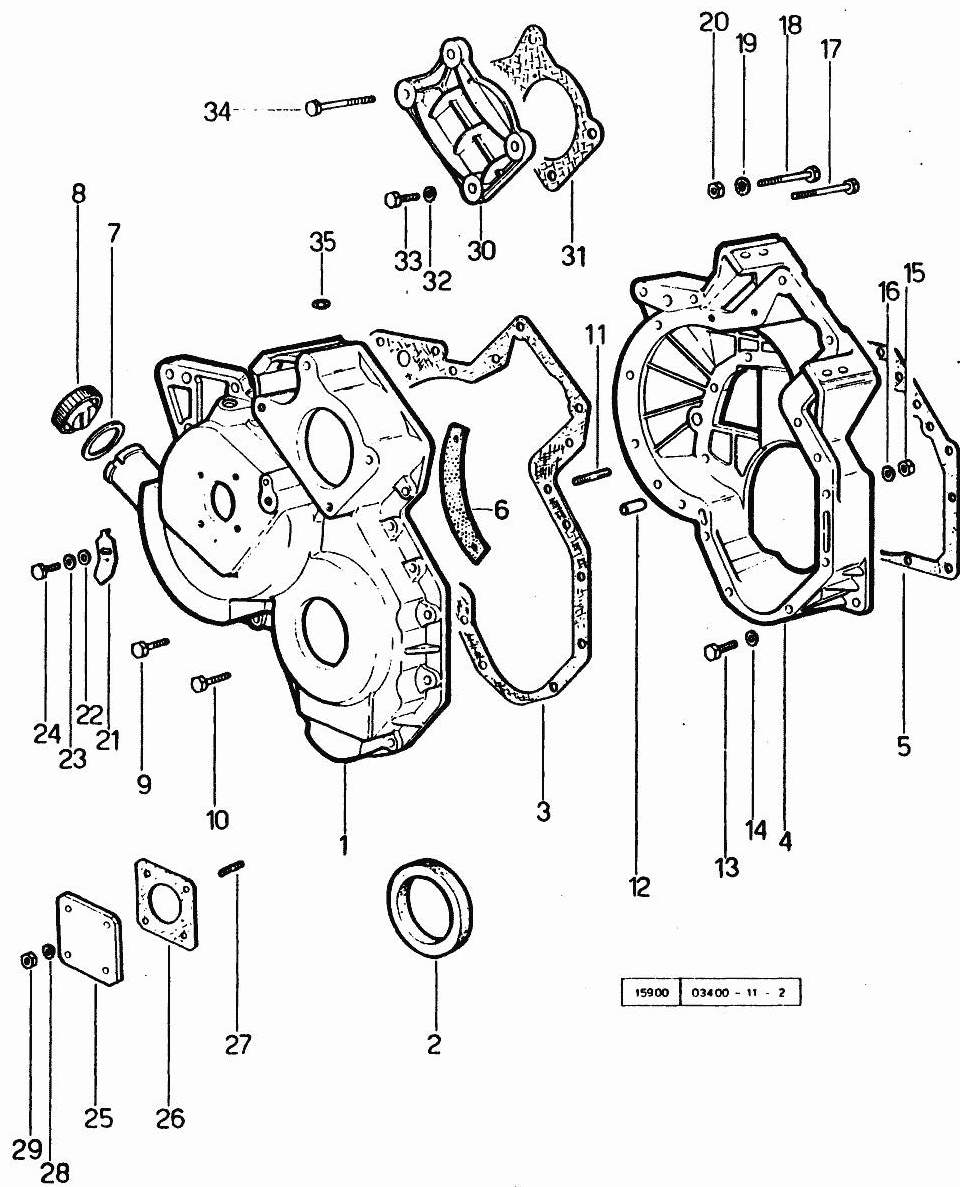


Fig.	P/n	QTY	Name
------	-----	-----	------

Notes:
[FOX 35]

1	0.320.1554.0	1	governor housing
2	2.1519.010.0	1	special oil seal 58x80x10
3	0.027.1156.0	1	gasket
4	0.027.1154.0/30	1	flange
5	0.029.1153.0/10	1	gasket
6	0.027.1152.0/20	1	small plate
7	2.1530.074.0	1	oil seal 28.17x3.53
8	2.3199.535.0	1	plug
9	2.0122.222.2	1	screw
10	2.0122.213.2	4	screw m 8 p.1x35
11	2.0439.060.2	3	stud bolt m 8 p.1.25-1x22
12	2.1653.711.0	1	pin
13	2.0112.207.2	8	screw m 8 p 1.25 x 20
14	2.1474.009.1	8	spring washer 8
15	2.1011.405.2	15	nut m 8 p.1
16	2.1474.009.1	15	spring washer 8
17	2.0122.225.2	1	screw m 8 p.1x80
18	2.0122.225.2	1	screw m 8 p.1x80
19	2.1474.009.1	2	spring washer 8
20	2.1011.405.2	3	nut m 8 p.1
21	0.027.1150.0/10	1	index
22	2.1310.003.2	1	flat washer 7.4x14
23	2.1470.003.2	1	lock washer 7
24	2.0112.204.2	1	screw m 8 p.1.25x14
25	0.027.1153.0	1	flange
26	0.026.1150.0	1	gasket
27	2.0439.055.1	4	stud bolt m 6 p.1 x 18
28	2.1470.002.2	4	lock washer 6
29	2.1011.103.2	4	nut m 6 p.1
30	0.029.1163.0	1	small cover
31	0.054.1155.0	1	gasket
32	2.1474.009.1	2	spring washer 8
33	2.0112.211.2	2	screw m 8 p.1.25 x 30
34	2.0122.233.2	2	screw
35	2.1530.028.0	1	oil seal 11.91 x 2.62

Section: ENGINE

CRANKSHAFT

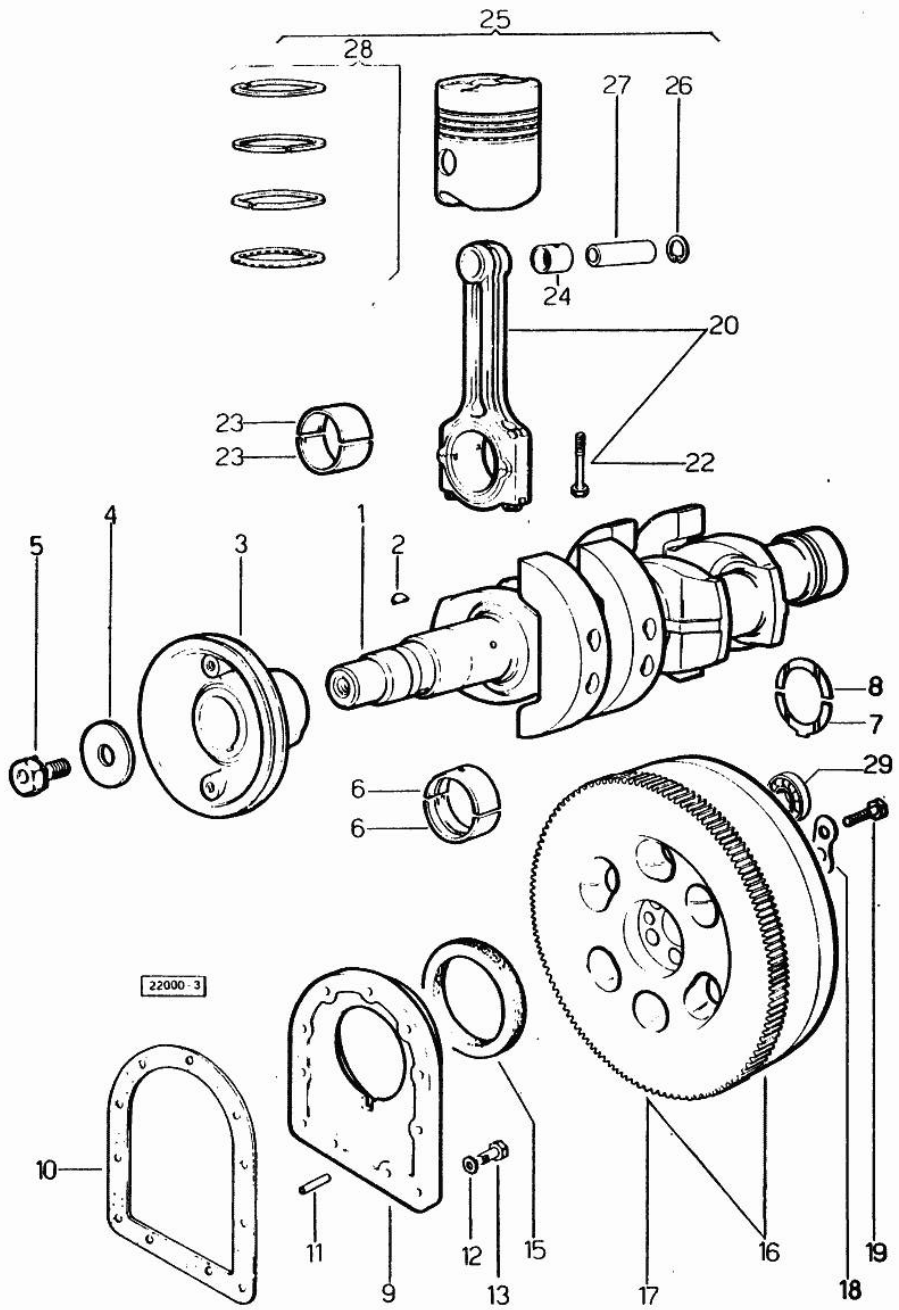


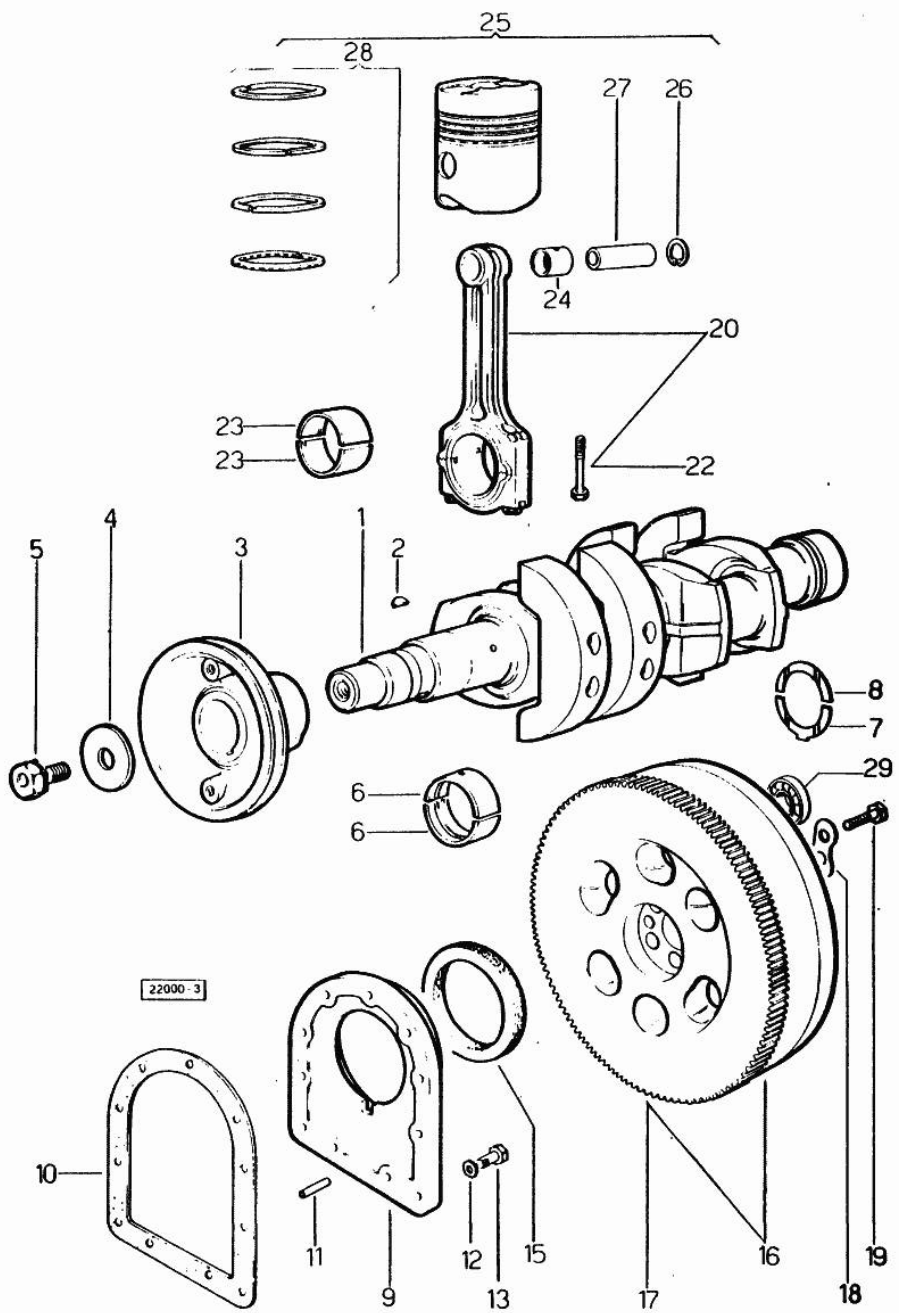
Fig.	P/n	QTY	Name
------	-----	-----	------

Notes:
[FOX 35]

1	0.027.1210.4/30	1	crankshaft
2	2.1799.002.0	1	stick 10x13
3	0.027.1244.0/30	1	pulley
4	0.001.6020.0	1	shoulder
5	2.0129.032.2	1	screw m 24 p.2x45
6	0.029.0066.0		main half bushing - mm 1.00
6	0.029.1215.0/10	6	main half bushing
6	0.029.1215.7		main half bushing - mm 0.25
6	0.029.1215.8		main half bushing - mm 0.50
6	0.029.1215.9		main half bushing - mm 0.75
7	0.001.4547.0		shoulder ring + mm 0.05
7	0.001.4548.0		shoulder ring + mm 0.10
7	0.001.4549.0		shoulder ring + mm 0.15
7	0.042.1219.0	2	shoulder ring STANDARD
8	0.001.4544.0		shoulder ring + mm 0.05
8	0.001.4545.0		shoulder ring + mm 0.10
8	0.001.4546.0		shoulder ring + mm 0.15
8	0.042.1218.0	2	shoulder ring STANDARD
9	0.029.1240.0	1	flange
10	0.029.1250.0	1	gasket
11	2.1652.915.0	2	cylindrical plug 12x35
12	2.1474.010.1	6	spring washer 10
13	2.0112.309.2	7	screw m 10 p.1.5 x 25
15	2.1519.009.0	1	special oil seal
16	0.034.1263.3	1	flywheel
17	0.038.1242.0	1	crown wheel Z = 120, mm 15
18	2.1379.006.0	3	lock-tab 15x15x36,5
19	2.0122.517.7	6	screw m 14 p.1.5x45
20	0.039.1220.3/20	2	engine connecting rod
22	0.039.1250.0	4	screw m 14 p.1.5x63
23	0.039.0068.0		con.rod half bushing - mm 1.016
23	0.039.1225.0	4	con.rod half bushing
23	0.039.1225.7		con.rod half bushing -mm 0.254
23	0.039.1225.8		con.rod half bushing -mm 0.508
23	0.039.1225.9		con.rod half bushing -mm 0.762
24	0.002.4168.0	2	bearing
25	0.036.0060.6	2	complete piston
25	0.036.0061.6		complete piston + mm 0.5
25	0.036.0062.6		complete piston + mm 1.00
26	2.1411.014.1	4	circlip 35
27	0.002.4167.0	2	piston pin

Section: ENGINE
CRANKSHAFT

Fig.	P/n	QTY	Name
28	0.034.0052.6	2	piston ring set
28	0.034.0053.6		piston ring set + mm 0.5
28	0.034.0054.6		piston ring set + mm 1.0
29	2.2061.005.0	1	ball bearing iso 17 bc 03



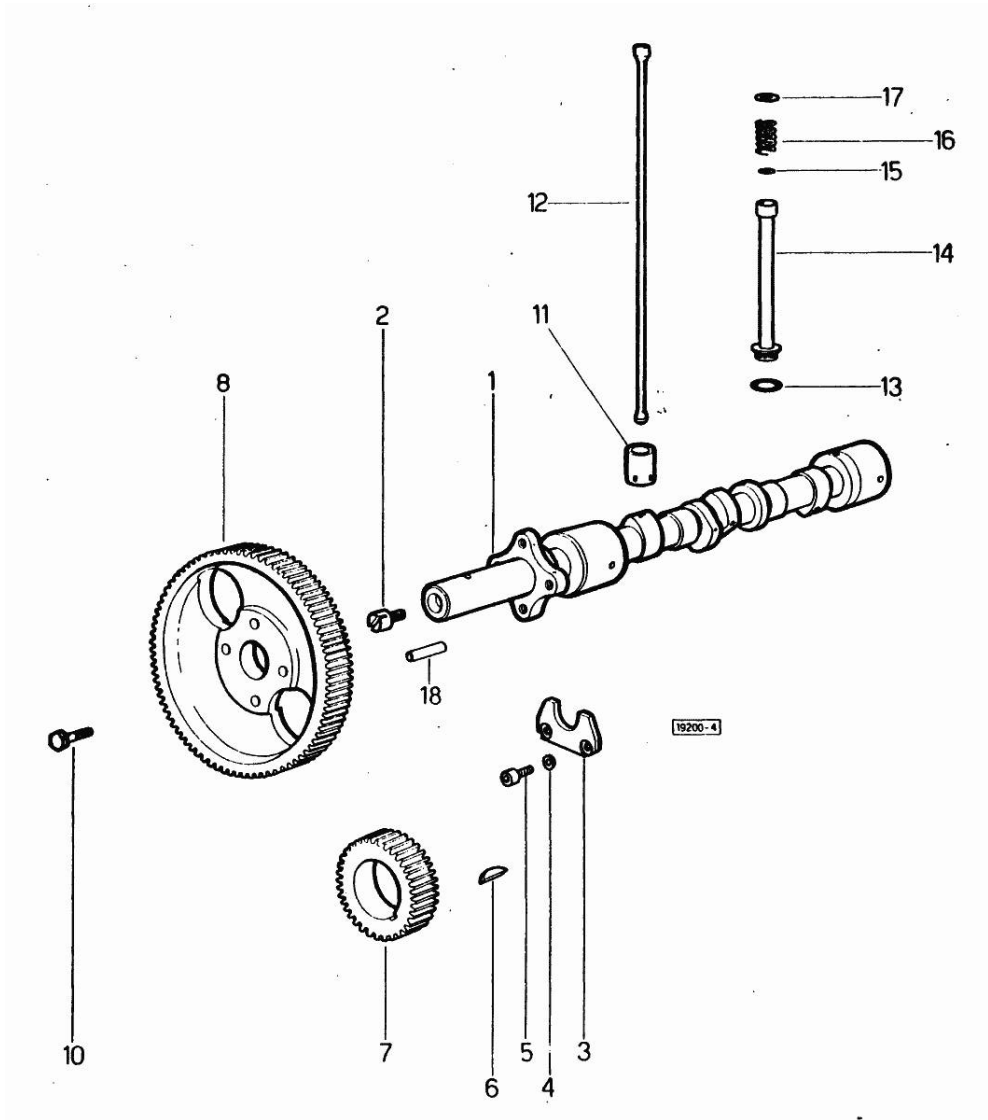
Section: ENGINE

CAMSHAFT

Fig.	P/n	QTY	Name
------	-----	-----	------

Notes:
[FOX 35]

1	0.027.1351.0/20	1	camshaft
2	0.027.1350.0/20	1	pin
3	0.027.1314.0	1	flange
4	2.1470.004.2	2	lock washer 8
5	2.0312.206.2	2	screw m 8 p 1.25 x 20
6	2.1720.010.0	1	key 5x9
7	0.029.1320.0/10	1	gear wheel
8	0.035.1321.0	1	gear
10	2.0139.006.1	4	screw
11	0.002.3909.0	4	tappets
12	0.037.1331.0	4	rod
13	2.1539.018.0	4	special oil seal
14	0.039.1332.0/10	4	sleeve
15	2.1539.022.0	4	special oil seal 12.37x2.62
16	2.4019.149.1	4	spring 14x29x2
17	2.1569.037.0	4	gasket
18	2.1650.513.0	1	pin 6 x 30

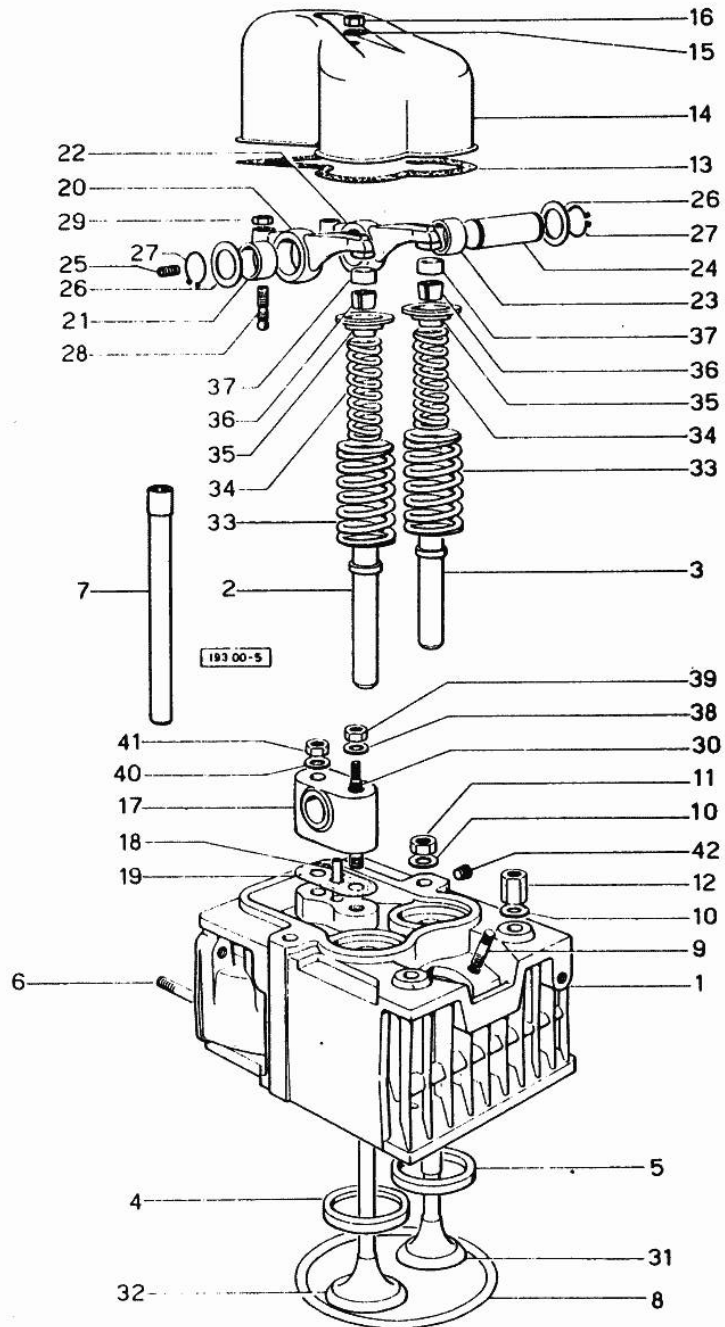


Section: ENGINE
CYLINDER HEAD

Fig.	P/n	QTY	Name
------	-----	-----	------

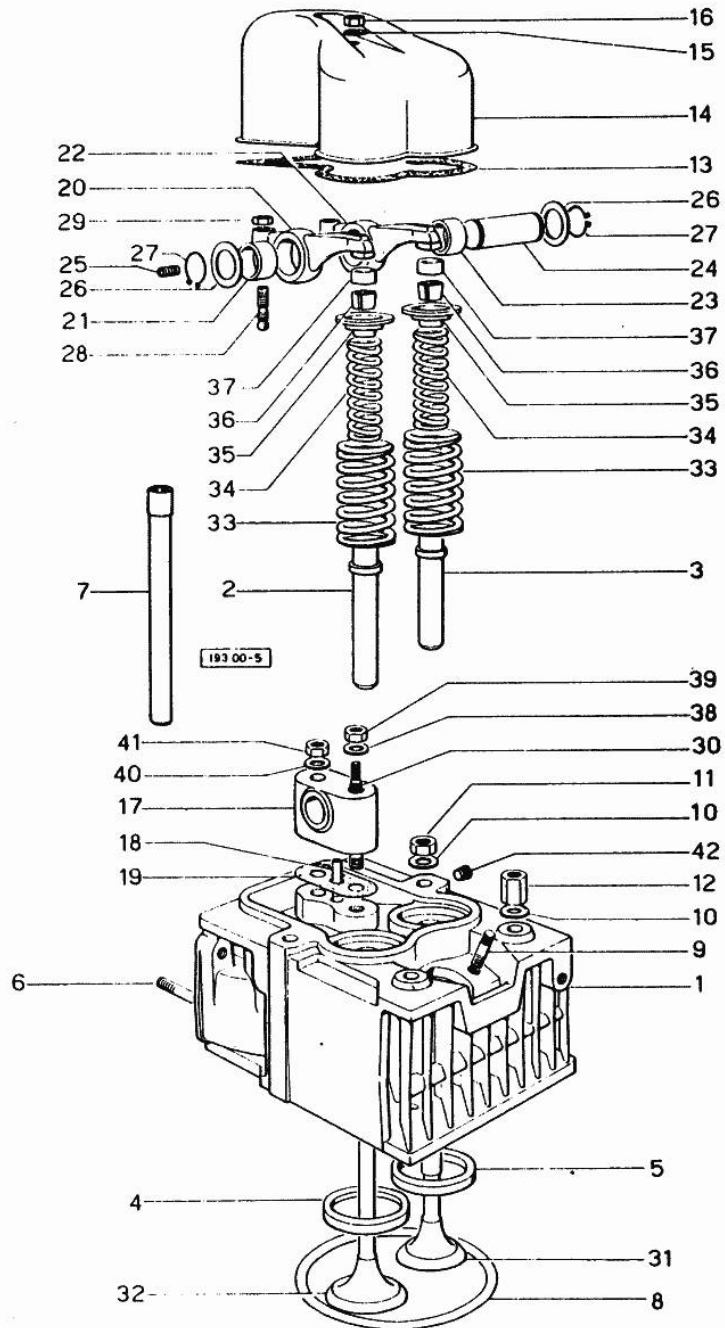
Notes:
[FOX 35]

0	0.034.0057.6	1	gasket set FOR GRINDING VALVES OF ONE CYLINDER AND PISTON RING RENEWAL
1	0.037.1450.3/30	2	engine head
2	0.037.1416.0	2	valve guide
3	0.037.1417.0/10	2	valve guide
4	0.037.1451.0/10	2	valve seat
5	0.037.1452.0/10	2	valve seat
6	2.0432.007.1	2	stud bolt m 8 p.1.25 / p.1 x 30
6	2.0432.011.1	4	stud bolt m 8 p.1.25 / p.1 x 40
7	0.029.1418.0	4	sleeve
8	2.1569.056.0/10	2	gasket
9	2.0439.087.1	4	stud bolt
10	2.1599.144.7	8	shoulder ring 12.5x23x4
11	2.1019.025.7	6	special nut
12	2.1019.037.7	2	special nut
13	0.029.1450.0	2	gasket
14	0.039.1440.0	2	cap
15	2.1560.004.0	2	copper gasket 8.2 x 14
16	2.1099.056.1	2	special nut m8 p.1
17	0.034.1430.0	2	support
18	0.029.1452.0	2	tube
19	0.034.1450.0	2	tappet gasket
20	002.5937.3/30	2	rocker arm
21	2.1559.021.0/40	2	bushing 15x19x22
22	0.002.5936.3/40	2	rocker arm
23	2.1559.021.0/40	2	bushing 15x19x22
24	0.029.1431.0	2	pin
25	2.0512.102.1	2	screw m 6 p.1 x 8
26	2.1599.019.0	4	shoulder ring 19.5x31x2
27	2.1410.055.1	4	circlip 19
28	0.021.1434.0	4	screw
29	2.1011.405.2	4	nut m 8 p.1
30	0.039.1451.0	2	stud bolt
31	0.039.1421.0	2	exhaust valve Ø mm 9
32	0.039.1420.0	2	inlet valve
33	2.4019.193.0	4	spring 36.15x55.2x3.2
34	2.4019.194.0	4	spring 22.70x50.7x2.1
35	0.002.9215.0/10	4	cup
36	0.002.9193.0/10	8	conical valve cotter
37	0.021.1453.0/20	4	small cover



Section: ENGINE
CYLINDER HEAD

Fig.	P/n	QTY	Name
38	2.1310.006.2	2	flat washer 10.5x21
39	2.1011.421.2	2	nut m 10 p.1.25
40	2.1599.160.7	2	flat washer
41	2.1099.035.7	2	special nut
42	2.3130.001.1	2	plug 1/8" gas



Section: ENGINE
LUBRICATION

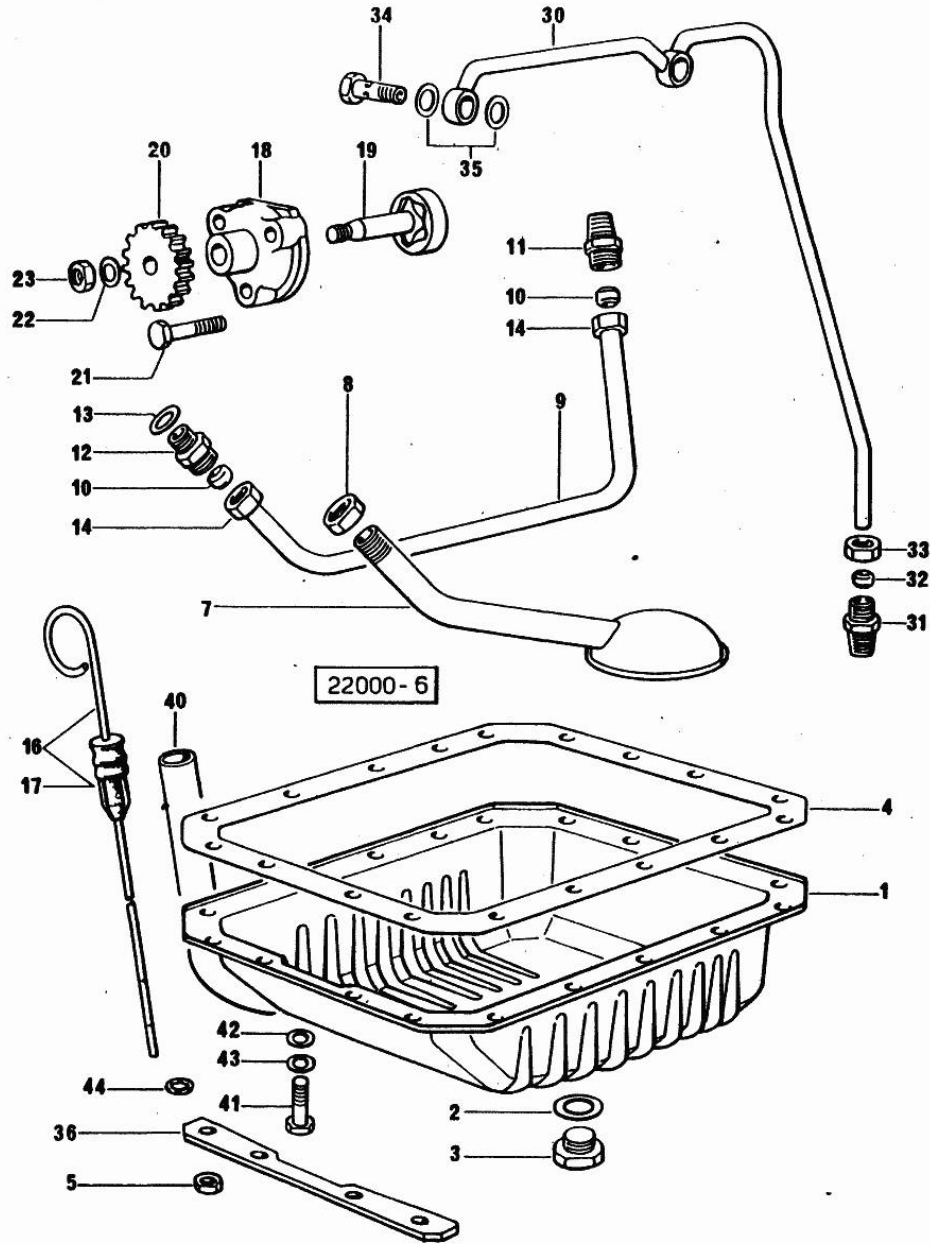


Fig.	P/n	QTY	Name
------	-----	-----	------

Notes:
[FOX 35]

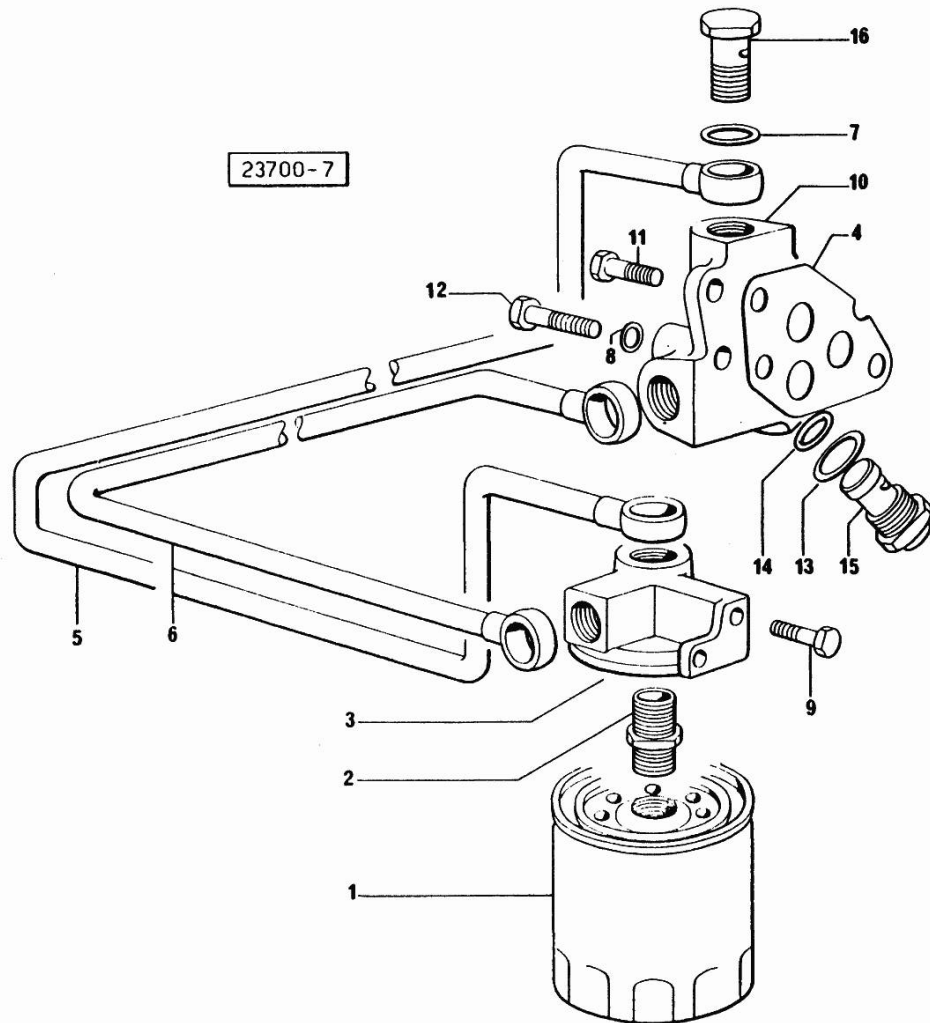
1	0.034.1563.0	1	oil sump
2	2.1560.054.0	1	gasket 21 x 26
3	2.3199.001.2	1	plug 1/2" gas
4	0.034.1567.0	1	gasket
5	2.1011.405.2	18	nut m 8 p.1
7	0.034.1565.3	1	tube
8	2.1099.026.1	1	special nut
9	0.034.1570.0	1	tube
10	2.3359.004.2	2	ring
11	2.3319.014.1	1	pipe union
12	2.3319.013.1	1	pipe union
13	2.1560.013.0	1	gasket 18.2x22
14	2.3369.015.1	2	special nut
16	0.034.1562.3	1	dipstick
17	0.034.1551.0	1	gasket
18	0.027.1520.0	1	pump casing
19	0.027.1522.3	1	rotor
20	0.029.1521.0/10	1	gear
21	2.0112.213.2	3	screw m 8 p.1.25 x 35
22	2.1310.006.2	1	flat washer 10.5x21
23	2.1121.107.2	1	self-locking nut m 10 p 1.25
30	0.034.1536.3	1	tube
31	2.3319.002.1	1	pipe fitting
32	2.3350.002.1	1	nosepiece 6, d128
33	2.3360.002.1	1	union nut m 10
34	2.3339.001.0	2	pipe fitting m 10 p.1
35	2.1560.006.0	4	gasket 10.2 x 16
36	0.053.1550.0/10	1	small plate
40	0.034.1564.3	1	tube
41	2.0112.209.2	8	screw m 8 p 1.25 x 25
41	2.0112.219.2	10	screw m 8 p.1.25x55
42	2.1470.004.2	14	lock washer 8
43	2.1560.004.0	4	copper gasket 8.2 x 14
44	2.1530.016.0	1	oil seal 8.73 x 1.78

Section: ENGINE
LUBRICATION

Fig.	P/n	QTY	Name
------	-----	-----	------

Notes:
[FOX 35]

1	2.4419.140.1	1	oil filter element
2	2.3319.511.0	1	pipe union
3	0.320.1550.0	1	support
4	0.037.1552.0/10	1	gasket
5	0.320.1556.3	1	tube
6	0.320.1555.3	1	tube
7	2.1560.016.0	8	gasket 20.2 x 26
8	2.1470.006.2	3	lock washer 10
9	2.0112.207.2	2	screw m 8 p 1.25 x 20
10	0.320.1551.0	1	flange
11	2.0112.309.2	1	screw m 10 p.1.5 x 25
12	2.0112.319.2	2	screw m 10 p.1.5 x 50
13	2.4419.130.3	1	gasket
14	2.1530.045.0	1	oil seal 17.86x2.62
15	2.4419.130.2	1	valve
16	2.3332.006.1	4	pipe fitting



Thank you so much for reading.
Please click the “Buy Now!”
button below to download the
complete manual.



After you pay.

You can download the most
perfect and complete manual in
the world immediately.

Our support email:

ebooklibonline@outlook.com