

Section: ENGINE

CRANKCASE

9_M6511_00_0_A

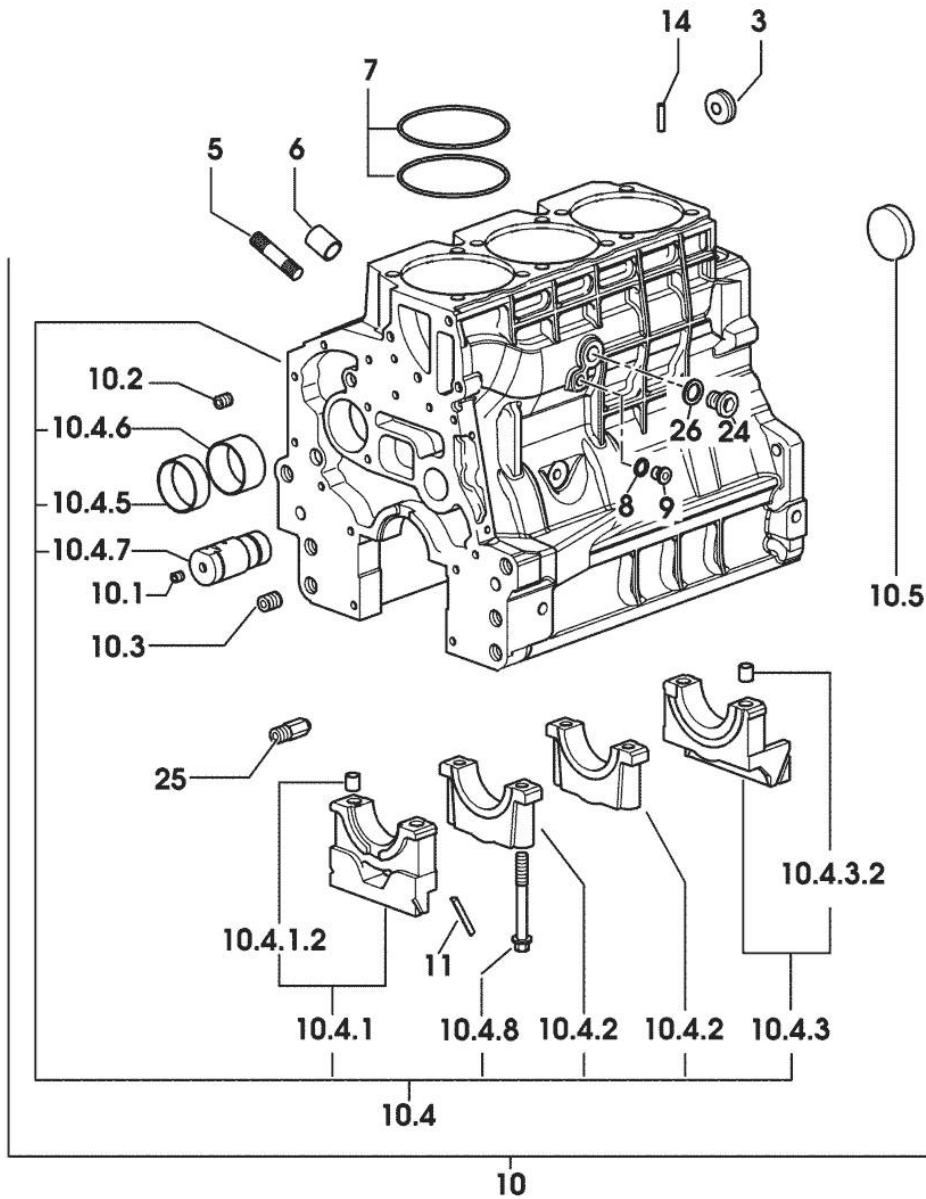


Fig.	P/n	QTY	Name
------	-----	-----	------

Notes:
[FRUTTETO II 70]

3	2.3199.312.2/10	1	plug
5	2.0439.273.7	6	stud bolt m 8
6	2.1559.188.2	3	bush 11.4 x 14 x16
7	2.1539.193.0	6	special oil seal 107.62x2.62
8	2.1560.010.0	1	gasket 14.2 x 20
9	2.3199.292.0	1	plug 1/4" gas
10	0.013.0536.4/40	1	crankcase
10.1	2.3130.001.1	9	plug 1/8" gas
10.2	2.3130.002.1	2	plug 1/4" gas
10.3	2.3130.003.1	2	plug 3/8" gas
10.4	0.000.0000.1		cannot be supplied
10.4.1	0.065.1112.7	1	support
10.4.1.2	2.1699.165.0	1	bush 12.3x15x16
10.4.2	0.065.1114.0/10	2	support
10.4.3	0.065.1116.3	1	support
10.4.3.2	2.1699.165.0	1	bush 12.3x15x16
10.4.5	0.065.1140.0	3	special bushing 59X55X20
10.4.6	0.065.1141.0	1	special bushing 59X55X30
10.4.7	0.066.1151.0	1	pin
10.4.8	0.065.1117.0	8	screw m 12 x 100
10.5	2.3179.012.0	1	plug 60
11	0.066.1152.0/10	4	gasket
14	2.1549.154.2	3	bush 4.8x5.8x16
24	2.3120.101.0	1	plug m 18 p.1.5
25	0.013.4946.0/10	1	sprayer nozzle
26	2.1560.014.0	1	washer 18.2 x 24

Section: ENGINE

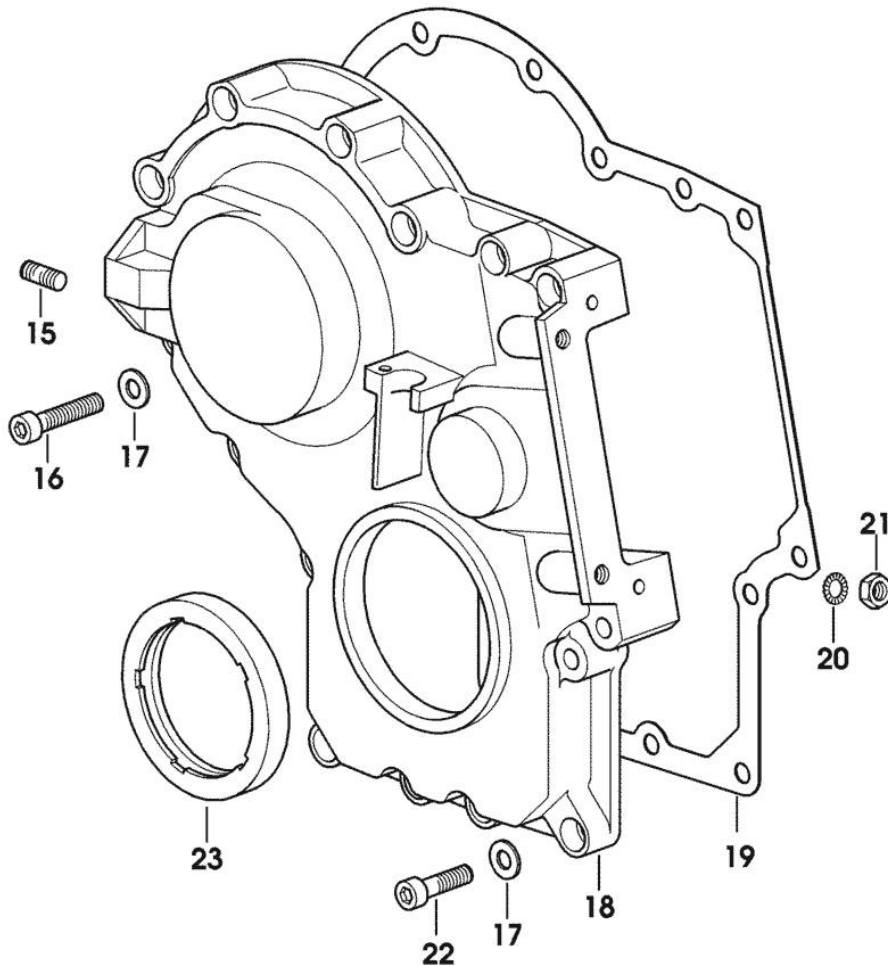
TIMING CASE

Fig.	P/n	QTY	Name
------	-----	-----	------

Notes:

[FRUTTETO II 70]

15	2.0432.003.7	2	stud bolt m 8 p.1.25 / p.1 x 20
16	2.0312.214.2	7	screw m 8 p.1.25 x 40
17	2.1480.014.1	15	washer 8
18	0.013.4981.0	1	guard
19	0.065.1150.0/30	1	gasket
20	2.1470.004.2	4	lock washer 8
21	2.1011.405.2	2	nut m 8 p.1
22	2.0312.208.2	8	screw m 8 p.1.25 x 25
23	2.1529.167.0	1	oil seal



9_M6511_00_0_B

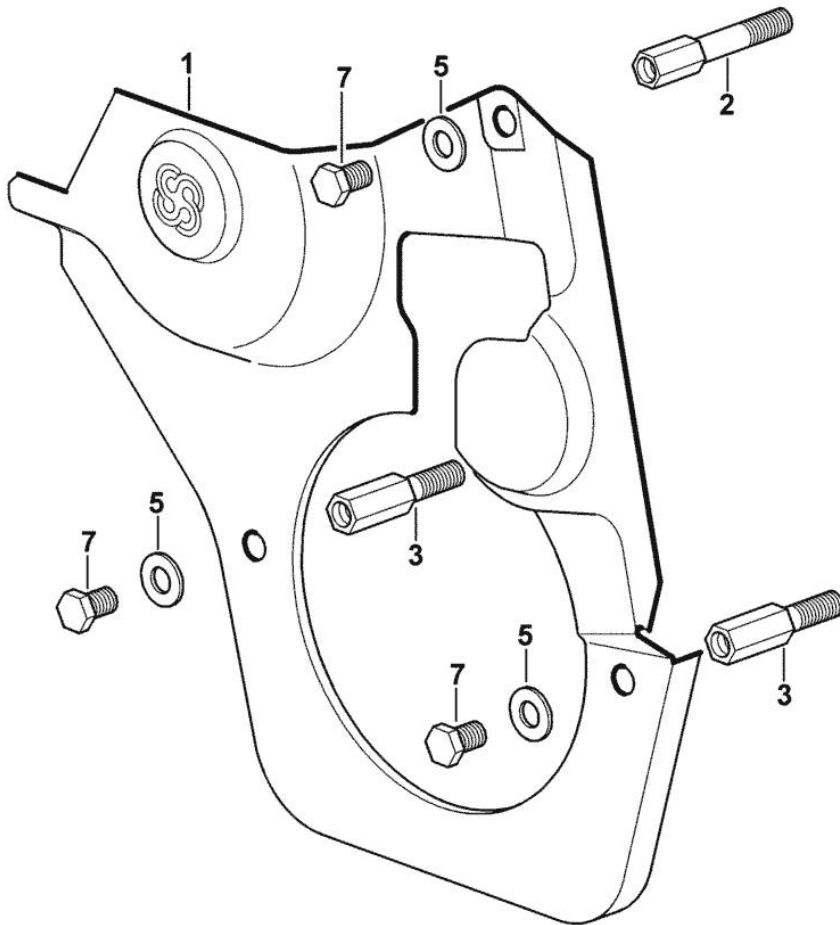
Section: ENGINE
GUARD PLATE

Fig.	P/n	QTY	Name
------	-----	-----	------

Notes:

[FRUTTETO II 70]

1	0.007.1262.3/50	1	guard
2	0.007.1271.0/10	1	small column m 8 p.1.25 / L = mm 60
3	0.007.1272.0/10	2	small column m 8 p.1.25 / L = mm 50
5	2.1310.004.2	3	flat washer 8.4x17
7	2.0112.203.2	3	screw m 8 p.1.25 x 12



Section: ENGINE

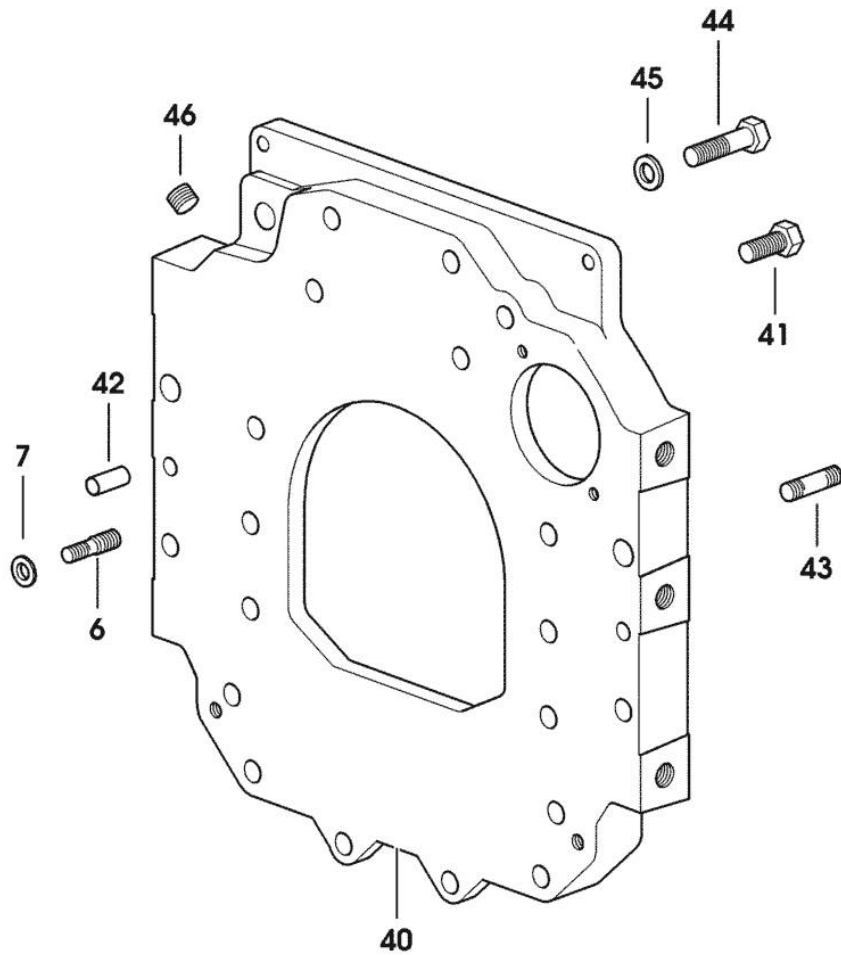
MONOBLOC ENGINE-GEARBOX CONNECTING FLANGE

Fig.	P/n	QTY	Name
------	-----	-----	------

Notes:

[FRUTTETO II 70]

6	2.0439.250.7	1	stud bolt m 12 / m 10 x 30
7	0.011.9294.0/10	1	bush
40	0.007.1414.0/10	1	flange
41	2.0112.511.2	8	screw m 14 p.2 x 30
42	2.1651.912.0	2	cylindrical plug 12x28
43	2.0432.257.7	1	stud bolt m 12 p.1.75 - 1.25 x 30
44	2.0312.516.2	2	screw m 14 x 50
45	2.1480.018.1	2	washer 14
46	2.3131.003.2	1	plug m 16 p.1.5



9_34811_03_0_0

Section: ENGINE

CRANKSHAFT

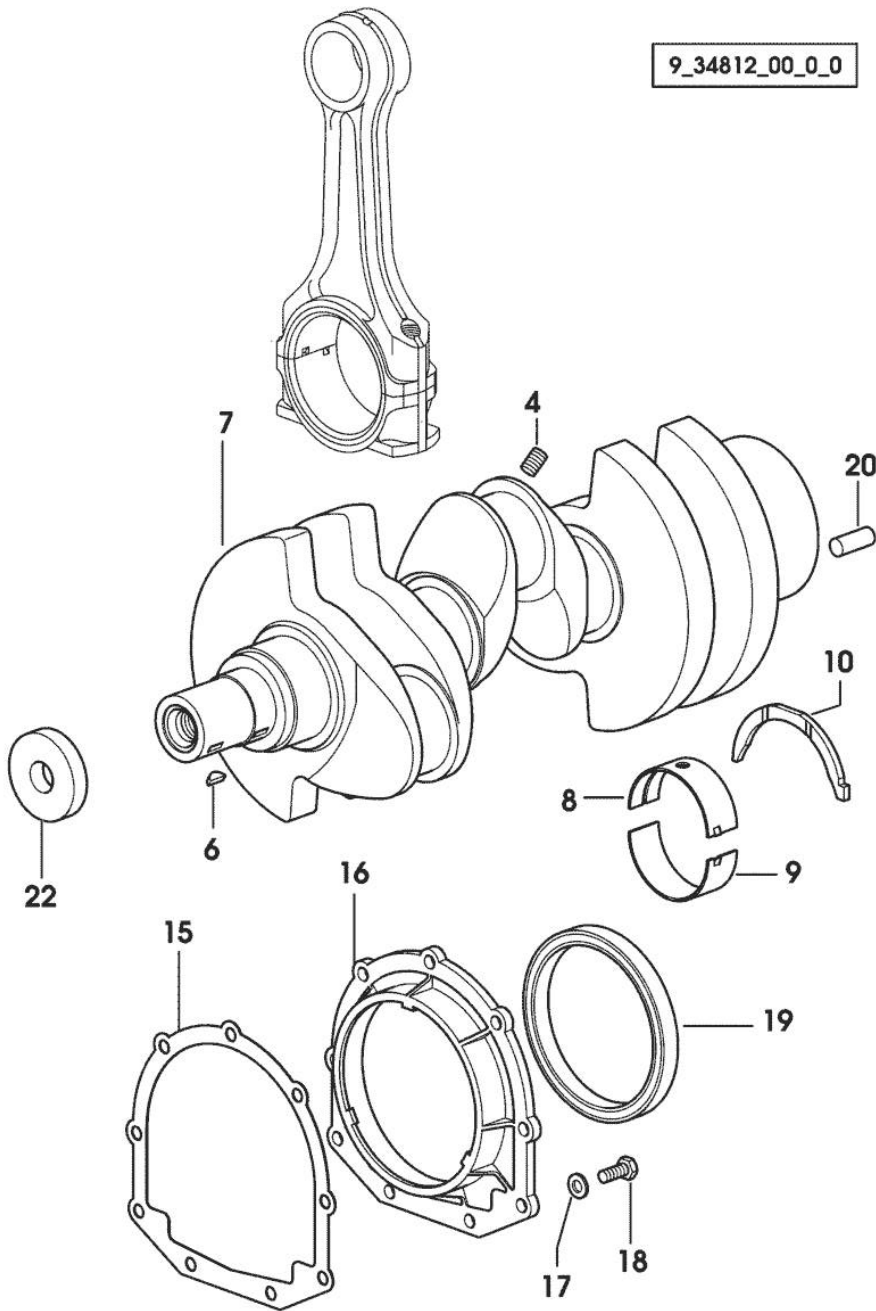
9_34812_00_0_0

Fig.	P/n	QTY	Name
------	-----	-----	------

Notes:

[FRUTTETO II 70]

4	2.3130.001.1	3	plug 1/8" gas
6	2.1720.006.0	2	key 4x6.5
7	0.007.1554.0/20	1	crankshaft
8	0.065.1215.0	4	main half bushing STANDARD
8	0.065.1215.7		main half bushing - mm 0.25
8	0.065.1215.8		main half bushing - mm 0.50
9	0.065.1216.0	4	main half bushing
9	0.065.1216.7		main half bushing - mm 0.25
9	0.065.1216.8		main half bushing - mm 0.50
10	0.065.1218.0	4	shim STANDARD
10	0.065.1218.7		shim + mm 0.10
10	0.065.1218.8		shim + mm 0.15
15	0.065.1254.0/20	1	gasket
16	0.007.1711.0/10	1	cover
17	2.1475.002.2	9	conical washer 8
18	2.0112.207.2	9	screw m 8 p 1.25 x 20
19	2.1529.073.0	1	special oil seal 110x130x13
20	2.1651.915.0	1	pin 12x35
22	2.1599.524.7	1	washer 21x60x12



Section: ENGINE

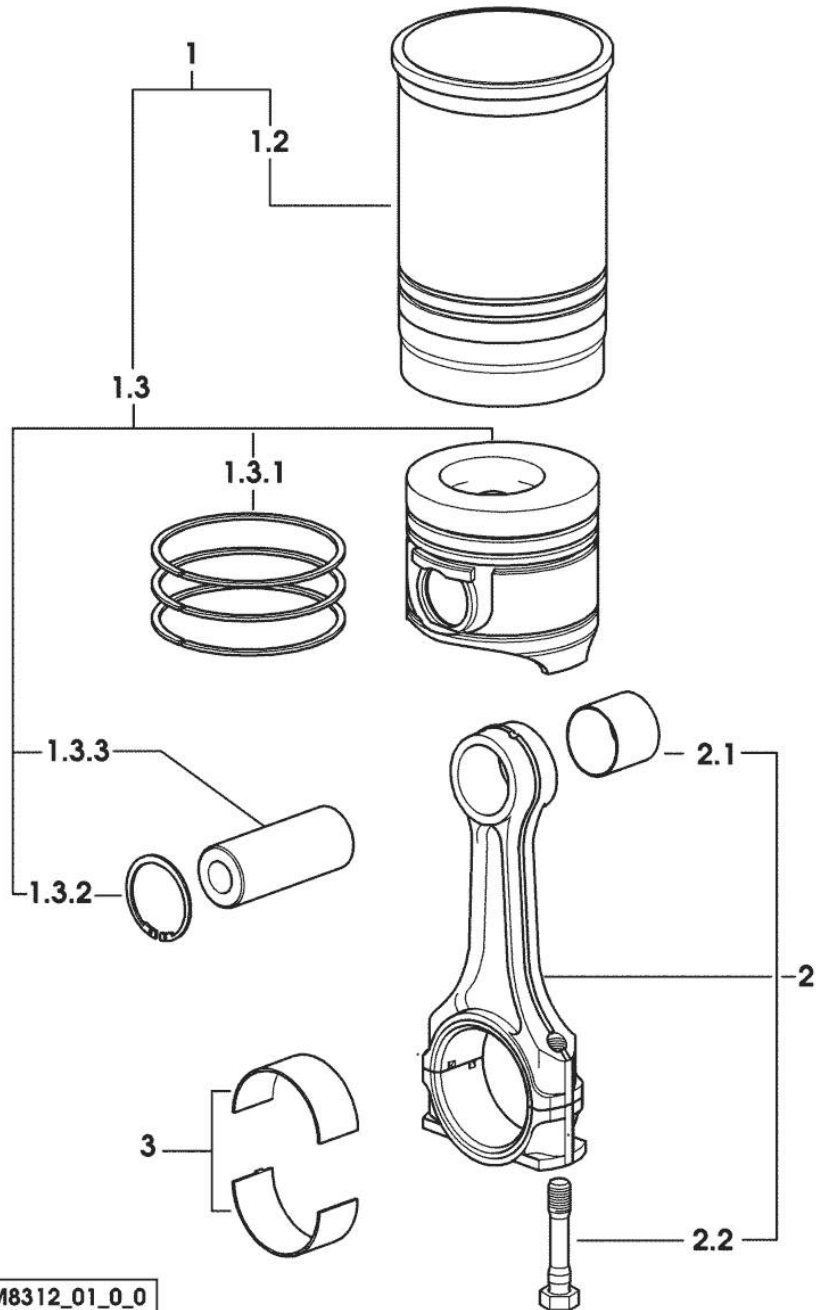
CYLINDER - PISTON - CONNECTING ROD

Fig.	P/n	QTY	Name
------	-----	-----	------

Notes:

[FRUTTETO II 70]

1	0.023.0065.A	3	cyl. piston assembly "A" - CLASS A
1	0.023.0065.B	3	cyl. piston assembly "B" - CLASS B
1.2	0.A12.2675.0	1	engine cylinder "A" - CLASS A
1.2	0.B12.2675.0	1	engine cylinder "B" - CLASS B
1.3	0.023.0060.A	1	complete piston "A" - CLASS A
1.3	0.023.0060.B	1	complete piston "B" - CLASS B
1.3.1	0.338.0052.6/20	1	piston ring set
1.3.2	2.1411.014.1	2	circlip 35
1.3.3	0.078.1236.0	1	piston pin Ø 18 / Ø 35 / L = mm 86
2	0.078.1220.3/30	3	engine connecting rod
2.1	2.1559.114.0/10	1	special bushing
2.2	2.0399.213.0	2	screw m 12 p.1.25x61.5
3	0.065.1225.0	6	con.rod half bushing STANDARD - A = 28.75 -> 29.00
3	0.065.1225.7	6	con.rod half bushing - mm 0.25
3	0.065.1225.8	6	con.rod half bushing - mm 0.50



9_M8312_01_0_0

Section: ENGINE

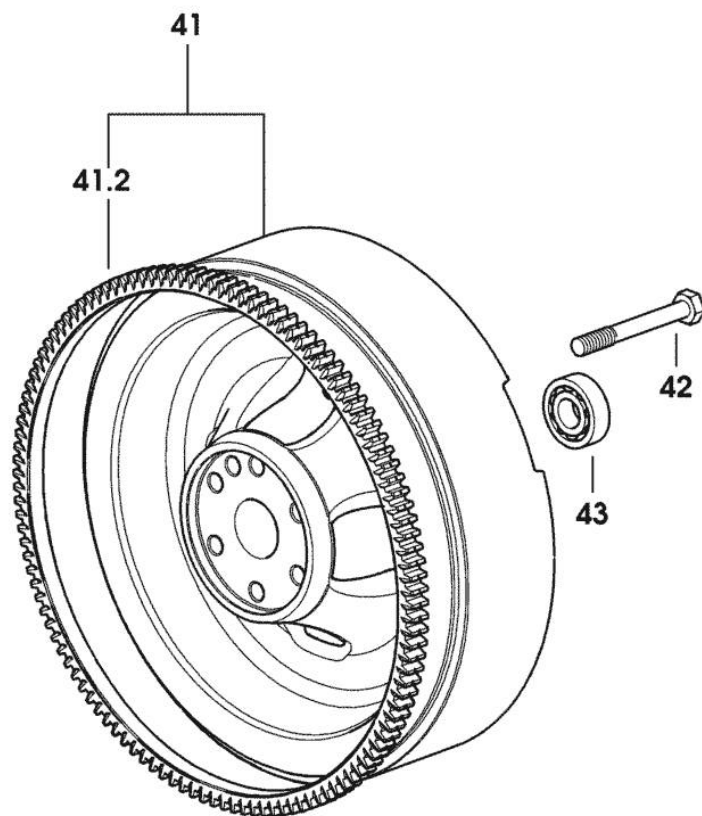
ENGINE FLYWHEEL

Fig.	P/n	QTY	Name
------	-----	-----	------

Notes:

[FRUTTETO II 70]

41	0.330.1247.3/10	1	flywheel
41.2	0.069.1242.0	1	crown wheel Z = 121
42	0.330.1250.0	6	screw m 12 p.1.25x98
43	2.2041.008.0	1	ball bearing 20x47x14



9_34812_02_0_0

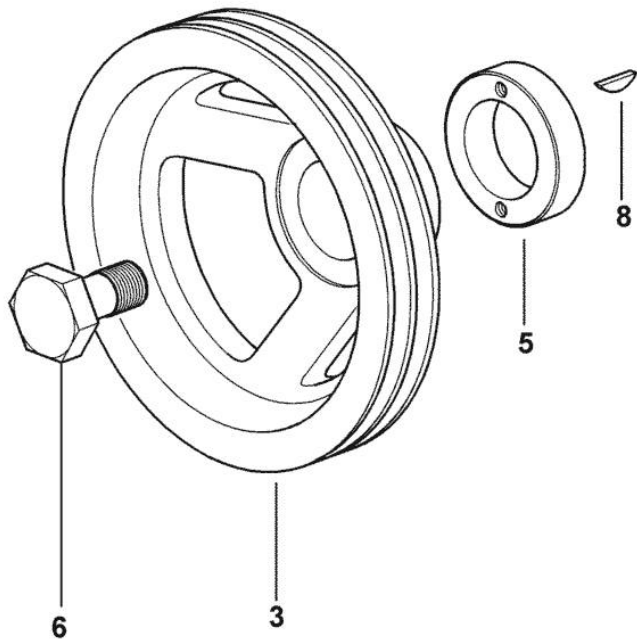
CRANKSHAFT PULLEY - FOR TRACTORS WITH AIR CONDITIONING

Fig.	P/n	QTY	Name
------	-----	-----	------

Notes:

[FRUTTETO II 70]

3	0.007.1458.0/40	1	pulley
5	0.085.1248.0/20	1	hub
6	2.0399.144.7	1	screw m 20 p.1.5x51
8	2.1720.006.0	1	key 4x6.5



9_34512_06_0_0

Section: ENGINE

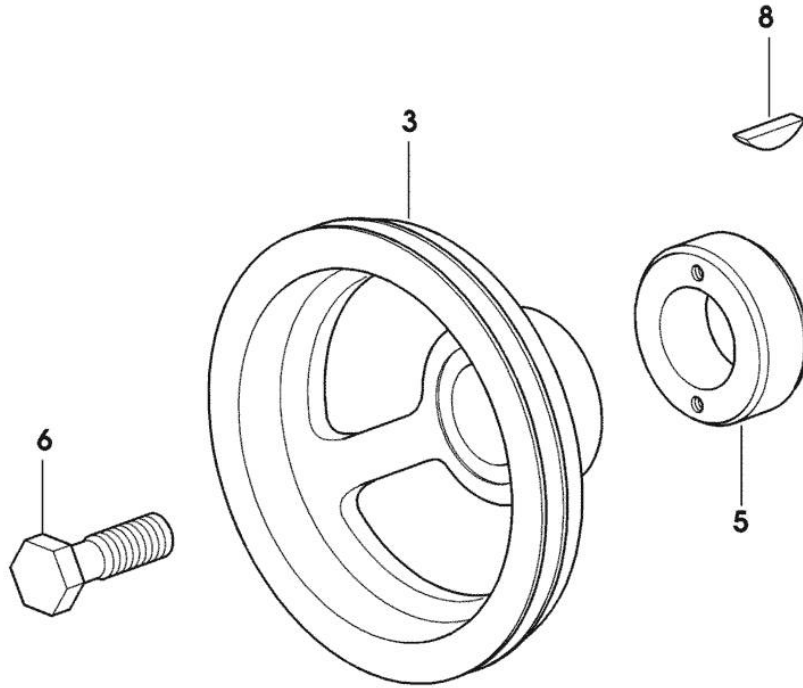
CRANKSHAFT PULLEY - FOR TRACTORS WITHOUT AIR CONDITIONING

Fig.	P/n	QTY	Name
------	-----	-----	------

Notes:

[FRUTTETO II 70]

3	0.007.1457.0/30	1	pulley
5	0.085.1248.0/20	1	hub
6	2.0399.144.7/10	1	screw m 20 p.1.5x51
8	2.1720.006.0	1	key 4x6.5



9_33312_02_0_0

Section: ENGINE

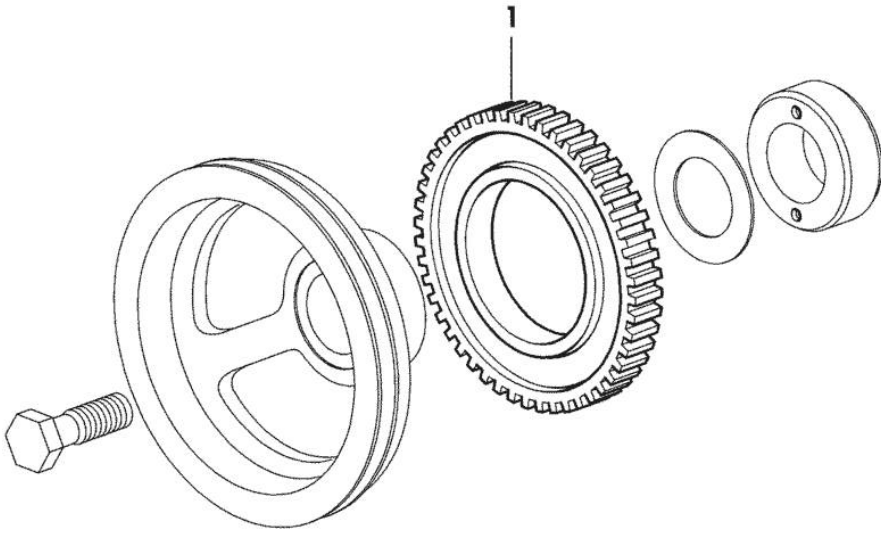
PULSE WHEEL

Fig.	P/n	QTY	Name
------	-----	-----	------

Notes:

[FRUTTETO II 70]

1	0.011.3531.0	1	gear Z = 48
---	--------------	---	-------------



9_36812_05_0_0

Section: ENGINE

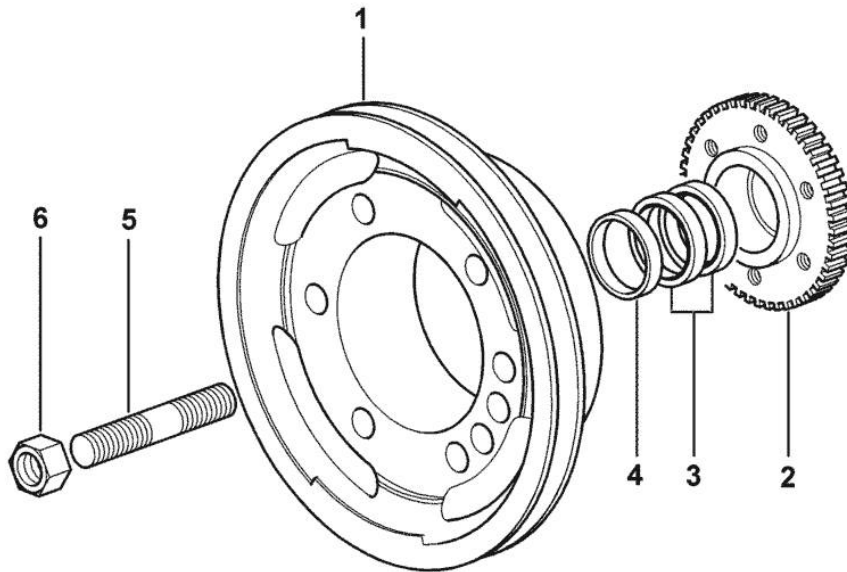
PROVISION FOR FRONT PTO MOUNTING

Fig.	P/n	QTY	Name
------	-----	-----	------

Notes:

[FRUTTETO II 70]

1	0.082.1244.0/10	1	pulley
2	0.011.3515.0/20	1	hub Z = 48
3	0.065.1256.0	2	ring 45x52
4	2.1579.865.0	1	spacer 45.2x51.8x10
5	2.0439.195.7	1	stud bolt m 20 p.1.5x80
6	2.1019.094.7	1	nut m 20 p.1.5



9_34512_07_0_0

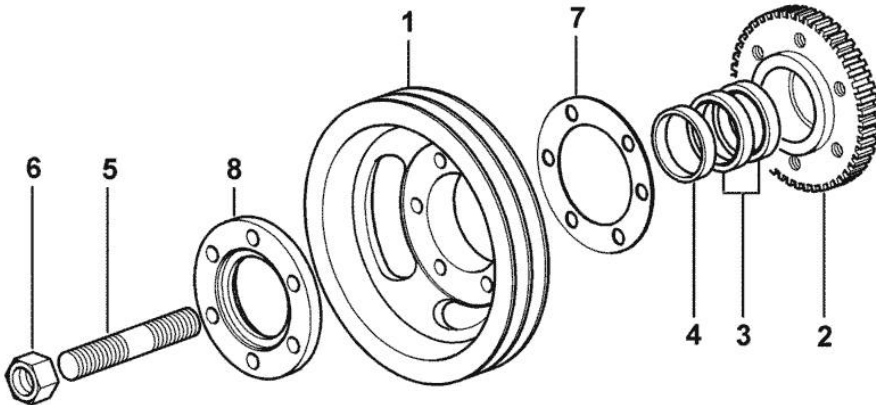
PREDISPOSITION FOR FRONT PTO (MODELS WITH AIR CONDITIONING)

Fig.	P/n	QTY	Name
------	-----	-----	------

Notes:

[FRUTTETO II 70]

1	0.082.1250.0/10	1	pulley
2	0.011.3515.0/20	1	hub Z = 48
3	0.065.1256.0	2	ring 45x52
4	2.1579.865.0	1	spacer 45.2x51.8x10
5	2.0439.195.7	1	stud bolt m 20 p.1.5x80
6	2.1019.094.7	1	nut m 20 p.1.5
7	2.1589.137.0	3	shoulder ring 71x110x1
8	0.089.1253.0/10	1	spacer



9_34512_08_0_0

Section: ENGINE

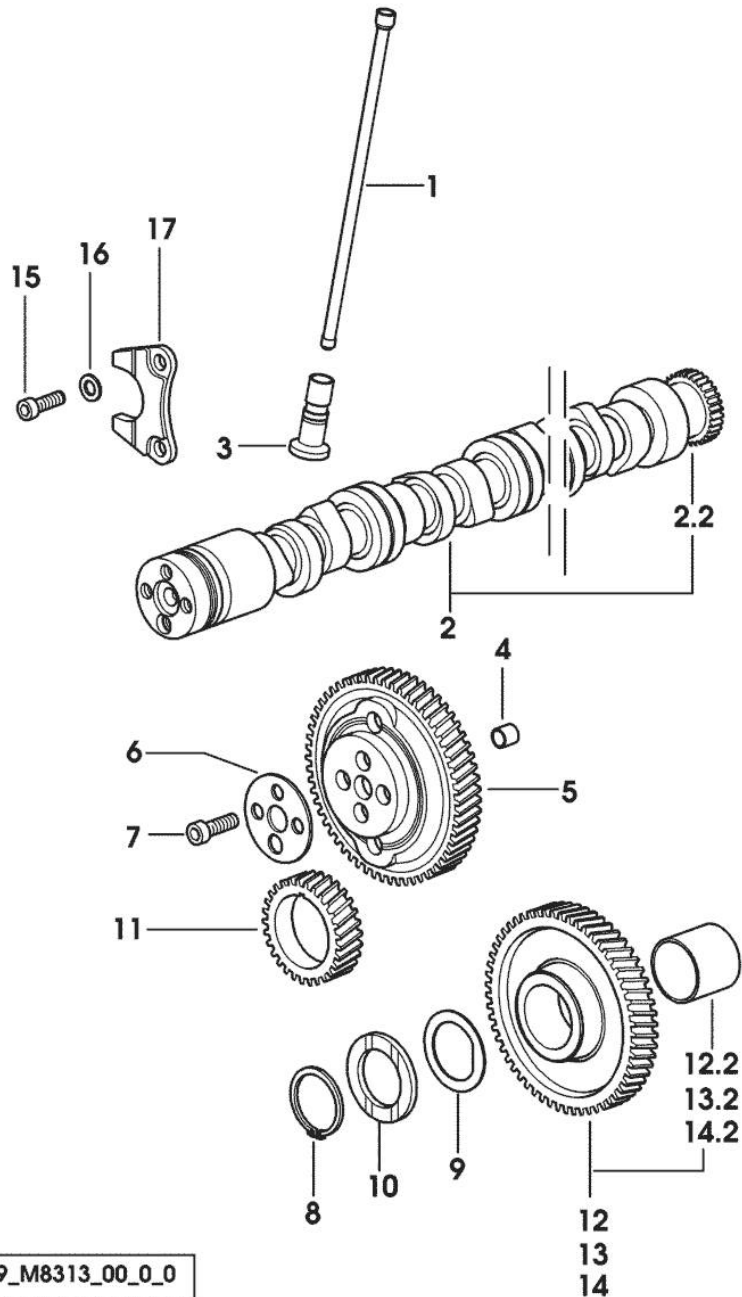
CAMSHAFT

Fig.	P/n	QTY	Name
------	-----	-----	------

Notes:

[FRUTTETO II 70]

1	0.065.1331.2	6	rod
2	0.013.0427.3/20	1	camshaft
2.2	0.065.1324.0/10	1	gear Z = 32
3	0.065.1330.0	6	tappets
4	2.1559.398.0	1	bushing 10.5x13x12
5	0.013.5017.0	1	gear z=58
6	0.065.1350.0	1	small disc
7	2.0132.207.2	4	screw m 10 p.1 x 25
8	2.1410.016.1	1	circlip 40
9	0.065.1352.0	1	shim
10	0.065.1351.0	2	shoulder ring
11	0.065.1323.0/30	1	gear Z = 29
12	0.007.1177.3/20		gear z = 57
			- WITH RED IDENTIFICATION STAMP
12.2	2.1559.185.0/10	1	bushing
13	0.007.1178.3/20		gear z = 57
			- WITH YELLOW IDENTIFICATION STAMP
13.2	2.1559.185.0/10	1	bushing
14	0.007.1179.3/20		gear z = 57
			- WITH GREEN IDENTIFICATION STAMP
14.2	2.1559.185.0/10	1	bushing
15	2.0312.205.2	2	screw
16	2.1480.014.1	2	washer 8
17	0.065.1353.0	1	small plate



9_M8313_00_0_0

Section: ENGINE
CYLINDER HEAD

9_M8314_00_0_0

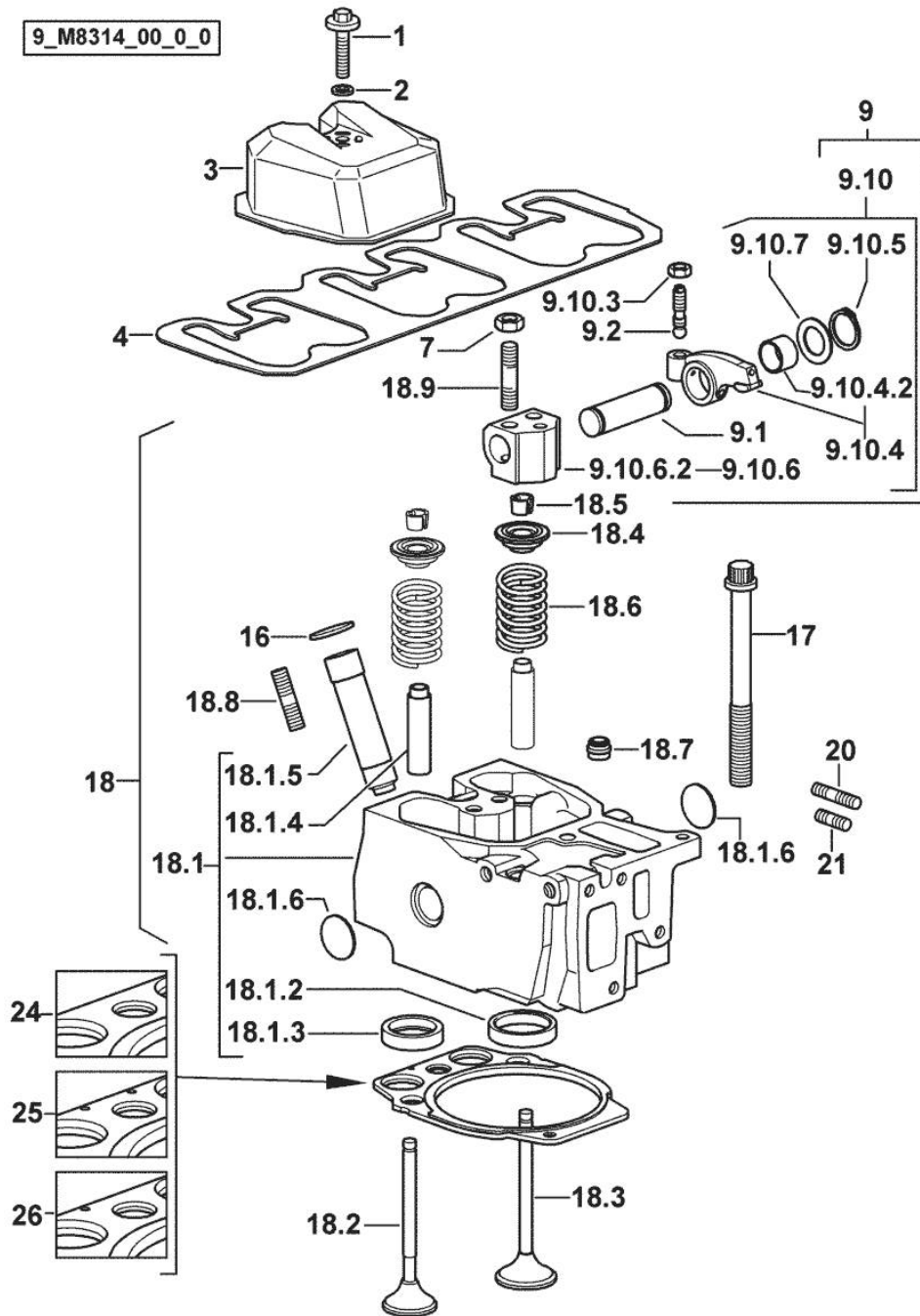


Fig.	P/n	QTY	Name
------	-----	-----	------

Notes:
[FRUTTETO II 70]

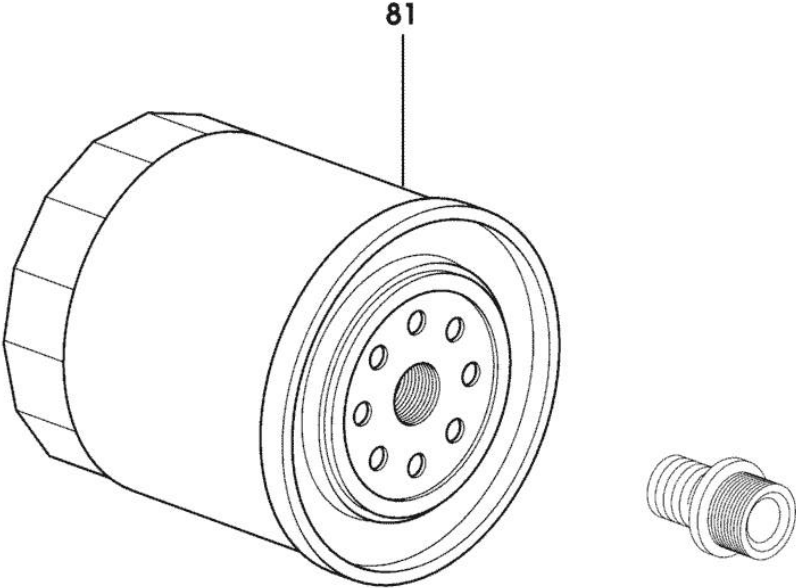
1	2.0399.288.2/10	3	screw m 8x36x46
2	2.1539.151.0	3	special oil seal 9.19 x 2.62
3	0.007.1139.0/10	3	small cap
4	0.069.1450.0/30	1	tappet gasket
7	2.1011.421.2	6	nut m 10 p.1.25
9	0.000.0000.1		cannot be supplied
9.1	0.066.1431.0	1	pin
9.2	0.021.1434.0	2	screw
9.10	0.000.0000.1		cannot be supplied
9.10.3	2.1011.405.2	2	nut m 8 p.1
9.10.4	0.066.1432.3	2	rocker arm
9.10.4.2	2.1559.021.0/40	1	bushing 15x19x22
9.10.5	2.1410.055.7	2	circlip 19
9.10.6	0.000.0000.1		cannot be supplied
9.10.6.2	0.066.1430.0/10	1	support
9.10.7	2.1599.432.0	2	shoulder ring
16	2.1532.507.0	3	oil seal 17x3.53
17	0.012.2673.0	12	screw m 14 p.2x141
18	0.000.0000.1		cannot be supplied
18.1	0.013.0412.3/60	1	engine head
18.1.2	0.078.1426.0	1	valve seat
18.1.3	0.066.1427.0	1	valve seat
18.1.4	0.007.1779.0/20	2	valve guide
18.1.5	0.012.9984.0/20	1	bush
18.1.6	2.3170.012.1	2	expansion plug 30
18.2	0.010.6022.0	1	exhaust valve mm 39.1 / Ø mm 9
18.3	0.010.6017.0	1	inlet valve mm 43.63 / Ø mm 9
18.4	0.066.1425.0	2	cup
18.5	0.074.1423.0	4	conical valve cotter
18.6	2.4019.287.0	2	spring
18.7	2.1519.117.0	2	special oil seal
18.8	2.0432.161.7	1	stud bolt m 10 p.1.5 / p.1.25 x 40
18.9	2.0432.163.7	2	stud bolt m 10 p.1.5 / p.1.25 x 45
20	2.0432.011.7	3	stud bolt m 8 p.1.25 / p.1 x 40
21	2.0432.005.7	3	stud bolt m 8 p.1.5 / p.1 x 25
24	0.013.1887.0		gasket
25	0.013.1888.0	2	gasket
26	0.013.1889.0		gasket

LUBRIC. OIL FILTER

Fig.	P/n	QTY	Name
------	-----	-----	------

Notes:
[FRUTTETO II 70]

81	0.044.1567.0	1	oil filter element
----	--------------	---	--------------------



9_33015_04_0_0

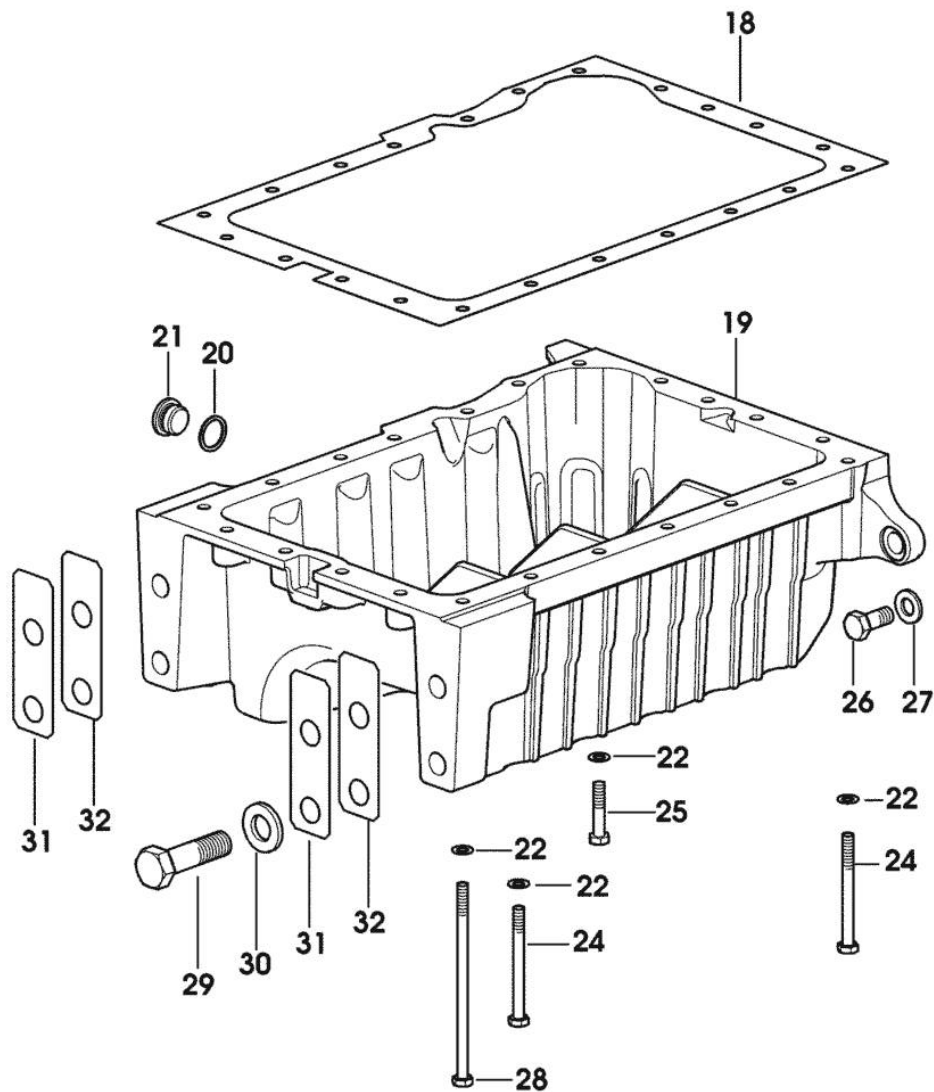
Section: ENGINE

OIL PAN

Fig.	P/n	QTY	Name
------	-----	-----	------

Notes:

[FRUTTETO II 70]



18	0.007.0614.0/10	1	gasket
19	0.007.1422.0/40	1	oil sump
20	2.1560.054.0	1	gasket 21 x 26
21	2.3199.001.2	1	plug 1/2" gas
22	2.1470.004.2	22	lock washer 8
24	2.0112.226.2	7	screw m 8 p.1.25 x 85
25	2.0112.215.2	13	screw m 8 p.1.25 x 40
26	2.0112.411.2	4	screw m 12 p.1.75 x 30
27	2.1470.007.2	4	lock washer 12
28	2.0112.239.2	2	screw m 8 p.1.25 x 150
29	2.0112.722.2	4	screw m 18 p.2.5 x 65
30	2.1475.007.7	4	washer 18
31	0.008.8586.0/10	4	shim mm 0.20
32	0.008.8587.0/10	8	shim mm 0.50

9_35115_01_0_0

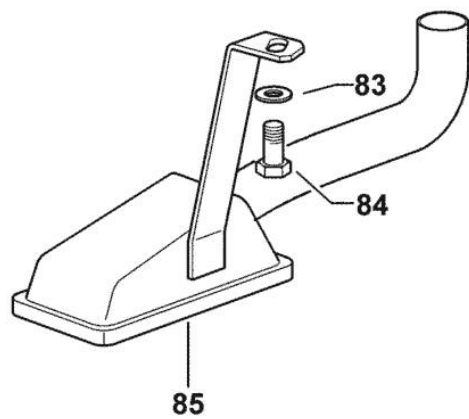
LUBRICANT OIL SUCTION PIPE

Fig.	P/n	QTY	Name
------	-----	-----	------

Notes:

[FRUTTETO II 70]

83	2.1470.004.2	1	lock washer 8
84	2.0112.205.2	1	screw m 8 p.1.25 x 16
85	0.007.1425.3/10	1	tube



9_34815_06_0_0

Section: ENGINE

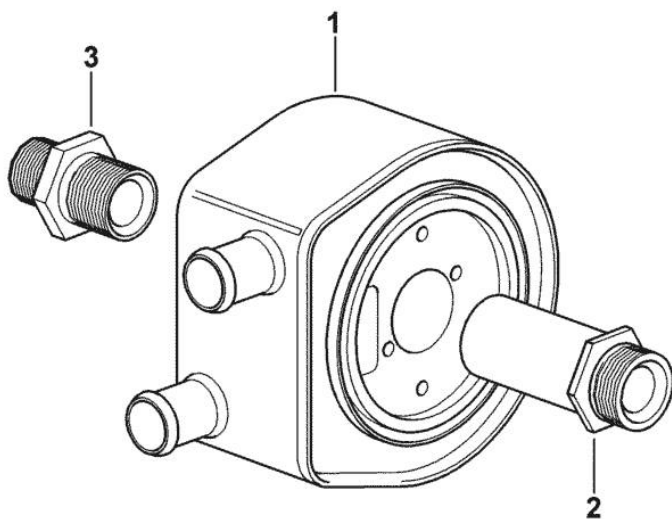
LUBRIC. OIL COOLER

Fig.	P/n	QTY	Name
------	-----	-----	------

Notes:

[FRUTTETO II 70]

1	0.007.0172.0	1	oil cooler COMPONENT PARTS SEE COMPONENTS LIST ☞ 0.007.0172.0
2	2.3339.550.2	1	pipe fitting m 20 p.1.5 / m 22 p.1.5
3	2.3339.549.2	1	pipe fitting m 20 p.1.5



9_36315_02_0_0

Section: ENGINE

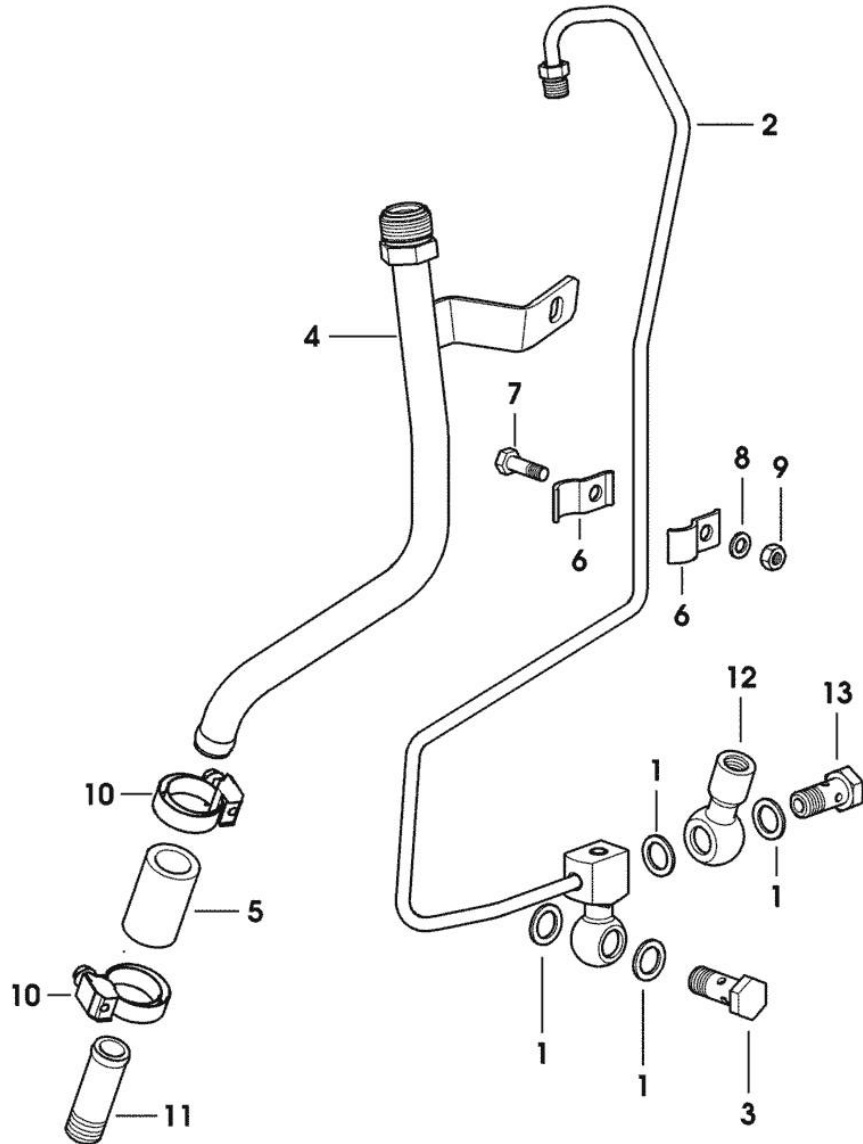
OIL PIPES FOR TURBOCHARGER

Fig.	P/n	QTY	Name
------	-----	-----	------

Notes:

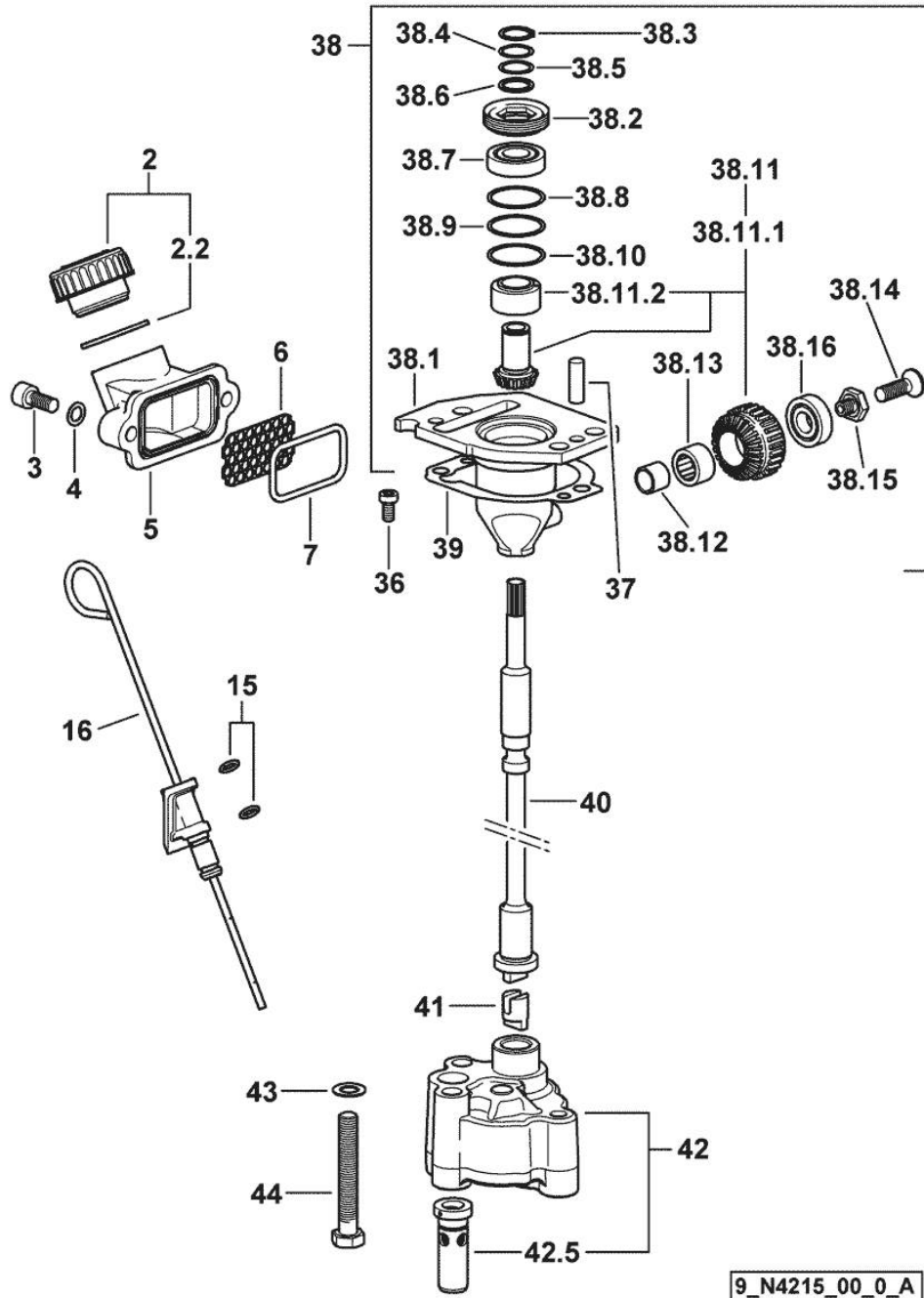
[FRUTTETO II 70]

1	2.1560.008.0	4	gasket 12.2 x 18
2	0.007.1334.3/10	1	tube
3	2.3339.448.2	1	pipe union m 12 p.1.75
4	0.007.1335.3/20	1	tube
5	0.007.0729.0/10	1	sleeve
6	0.007.0730.0	2	small plate
7	2.0112.007.2	1	screw m 6 p.1 x 20
8	2.1470.002.2	1	lock washer 6
9	2.1011.103.2	1	nut m 6 p.1
10	2.6851.002.0	2	clamp Ø 20/32
11	2.3339.490.2	1	pipe fitting m 16 p.1.5
12	2.3249.014.2	1	pipe fitting m 12 p.1.5
13	2.3330.003.1	1	pipe union m 12 p.1.5



9_N4215_01_0_0

Section: ENGINE

OIL PUMP

9_N4215_00_0_A

Fig.	P/n	QTY	Name
------	-----	-----	------

Notes:

[FRUTTETO II 70]

2	0.041.1135.4	1	plug 1" gas
2.2	2.1569.072.0	1	gasket 32 x 39.5 x 2
3	2.0312.205.2	2	screw
4	2.1480.014.1	2	washer 8
5	0.013.0942.0/10	1	pipe union
6	0.013.1387.0	1	small mesh
7	2.1532.515.0	1	rubber ring 1.78 x 53.70
15	2.1539.065.0	2	special oil seal 8.73 x 1.78
16	0.007.1624.2	1	dipstick
36	2.0169.005.2	2	screw m 6 p.1 x 12
37	2.1651.711.0	2	pin 8 x 14
38	0.013.1629.4	1	support
38.1	0.013.1629.3	1	support
38.1.1	2.1559.186.0	1	special bushing 26 x 31.5 x 35
38.2	2.1219.025.2/10	1	ring nut m 36 p.1.5
38.3	2.1410.057.1	1	circlip 15
38.4	2.1589.153.0	1	shoulder ring 15.2 x 19 x 1.00
38.5	2.1589.146.0	2	shoulder ring 15.2 x 19 x 0.15
38.6	2.1589.147.0	2	shoulder ring 15.2 x 19 x 0.10
38.7	2.2020.001.0	1	ball bearing 15 x 32 x 8.00
38.8	2.1589.148.0	1	shoulder ring 28.2 x 31.8 x 0.5
38.9	2.1589.150.0	2	shoulder ring 28.2 x 31.8 x 0.1
38.10	2.1589.151.0	2	shoulder ring 28.2 x 31.8 x 0.15
38.11	0.000.0000.1		cannot be supplied
38.11.1	0.065.1558.6/10	1	bevel drive
38.11.2	0.065.1559.0	1	bush
38.12	2.2680.020.0	1	ring 12 x 15 x 12
38.13	2.2725.016.0	1	roller cage 15 x 21 x 12
38.14	2.0342.007.6	1	screw m 4 p.0.7 x 30
38.15	2.0399.128.2/10	1	screw m 8 p.1 x 8
38.16	2.2030.002.0	1	ball bearing 12 x 28 x 8
39	0.065.1560.0/20	2	gasket
40	0.065.1569.0/40	1	shaft
41	0.065.1562.0/10	1	joint
42	0.010.5481.4	1	oil pump
42.5	0.065.1552.3/60	1	valve
43	2.1470.006.2	2	lock washer 10
44	2.0112.323.2	2	screw m 10 p.1.5x70

Thank you so much for reading.
Please click the “Buy Now!”
button below to download the
complete manual.



After you pay.

You can download the most
perfect and complete manual in
the world immediately.

Our support email:

ebooklibonline@outlook.com