

Section: ENGINE

## CRANKCASE

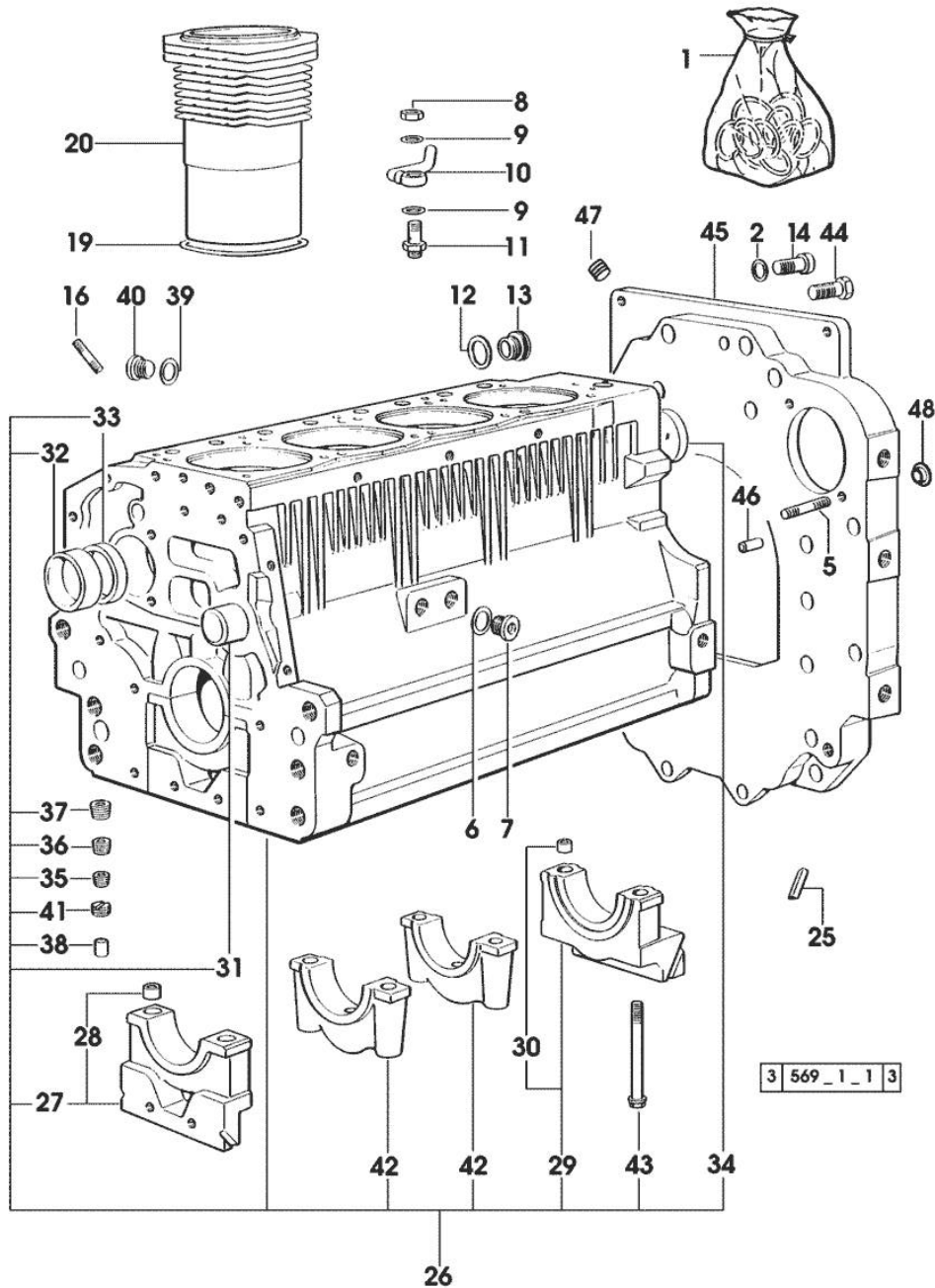


Fig.	P/n	QTY	Name
<b>Notes:</b>			
[FRUTTETO II 85]			
1	0.087.0050.6/10	1	gasket set - FOR ENGINE MOUNTING
2	2.1480.018.1	2	washer 14
5	2.0432.255.7	1	stud bolt m 12 p.1.75-1.25x25
5	2.0439.250.7	1	stud bolt m 12 / m 10 x 30
6	2.1560.017.0	1	gasket 22.2 x 27 - X FRUTTETO 75 II
7	2.3120.002.4	1	plug m 22 x 1.5 - X FRUTTETO 75 II
8	2.1099.108.2	4	special nut m 10 p.1
9	2.1560.006.0	8	gasket 10.2 x 16
10	0.086.1550.2	4	sprayer nozzle
11	0.065.1160.3/20	4	valve
12	2.1532.072.0	1	oil seal 26.70x1.78
13	2.3199.405.2	1	plug m 28 p.1.5
14	2.0312.516.1	2	screw m 14 p.2x50
16	2.0432.003.7	12	stud bolt m 8 p.1.25 / p.1 x 20
19	2.1539.130.0/10	4	special oil seal 117.07x3.53
20	0.007.0762.0/50	4	engine cylinder 71546 <= X FRUTTETO 75 II 5644 <= X FRUTTETO 85 II
20	0.A13.0355.0	4	engine cylinder "A" => 71547 X FRUTTETO 75 II => 5645 X FRUTTETO 85 II
20	0.B13.0355.0	4	engine cylinder "B" => 71547 X FRUTTETO 75 II => 5645 X FRUTTETO 85 II
25	0.066.1152.0/10	4	gasket
26	0.007.1140.6/10	1	crankcase
27	0.065.1112.7	1	support
28	2.1699.165.0	1	bush 12.3x15x16
29	0.065.1116.3	1	support
30	2.1699.165.0	1	bush 12.3x15x16
31	0.066.1151.0	1	pin
32	0.065.1141.0	1	special bushing 59X55X30
33	0.065.1140.0	4	special bushing 59X55X20
34	2.3179.012.0	1	plug 60
35	2.3130.001.1	11	plug 1/8" gas
36	2.3130.002.1	2	plug 1/4" gas
37	2.3130.003.1	7	plug 3/8" gas
38	2.3199.092.0	4	plug 8 x 12

Section: ENGINE

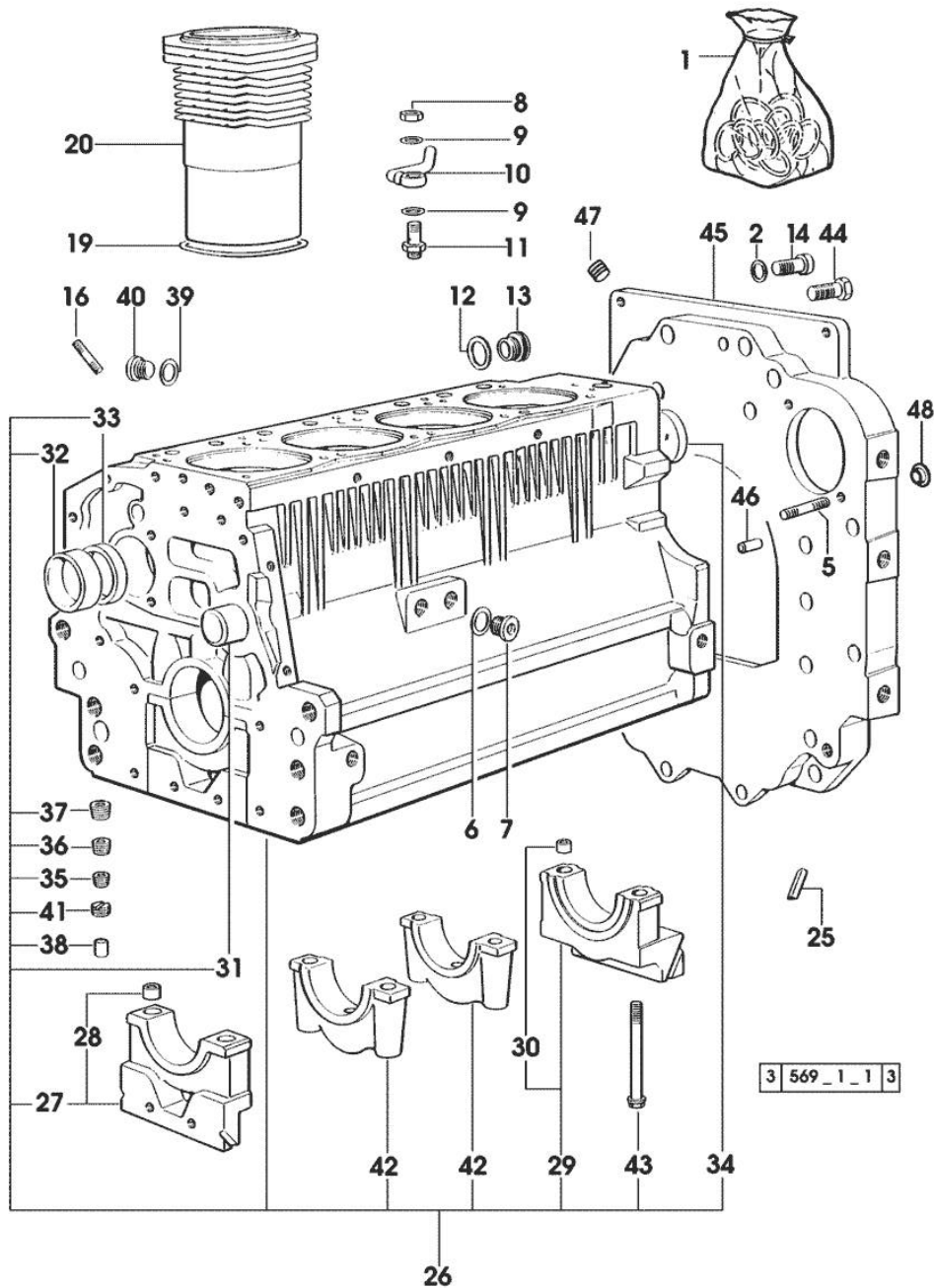
**CRANKCASE**

Fig.	P/n	QTY	Name
39	2.1560.017.0	1	gasket 22.2 x 27 37894 <= X FRUTTETO 75 II 1463 <= X FRUTTETO 85 II
40	2.3120.002.4	1	plug m 22 x 1.5 37894 <= X FRUTTETO 75 II 1463 <= X FRUTTETO 85 II
41	2.1324.011.0	1	plug
42	0.065.1114.0/10	3	support
43	0.065.1117.0	10	screw m 12 x 100
44	2.0112.511.1	8	screw m 14 p.2 x 30
45	0.007.1414.0/10	1	flange * (...) <- N.1 2.3131.003.2
46	2.1651.912.0	2	cylindrical plug 12x28
47	2.3131.003.2	1	plug m 16 p.1.5
48	0.011.9294.0/10	1	bush

Section: ENGINE

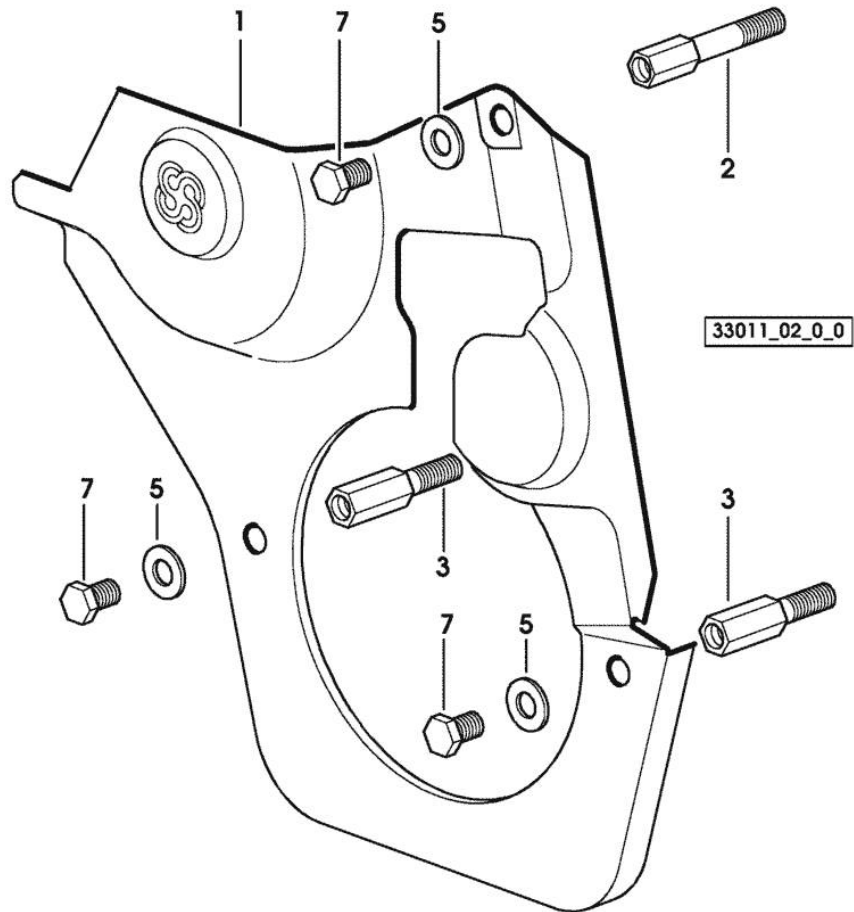
**TIMING CASE**

Fig.	P/n	QTY	Name
------	-----	-----	------

**Notes:**

[FRUTTETO II 85]

1	0.007.1262.3/50	1	guard
2	0.007.1271.0/10	1	small column m 8 p.1.25 / L = mm 60
3	0.007.1272.0/10	2	small column m 8 p.1.25 / L = mm 50
5	2.1310.004.2	3	flat washer 8.4x17
7	2.0112.205.2	3	screw m 8 p.1.25 x 16



Section: ENGINE

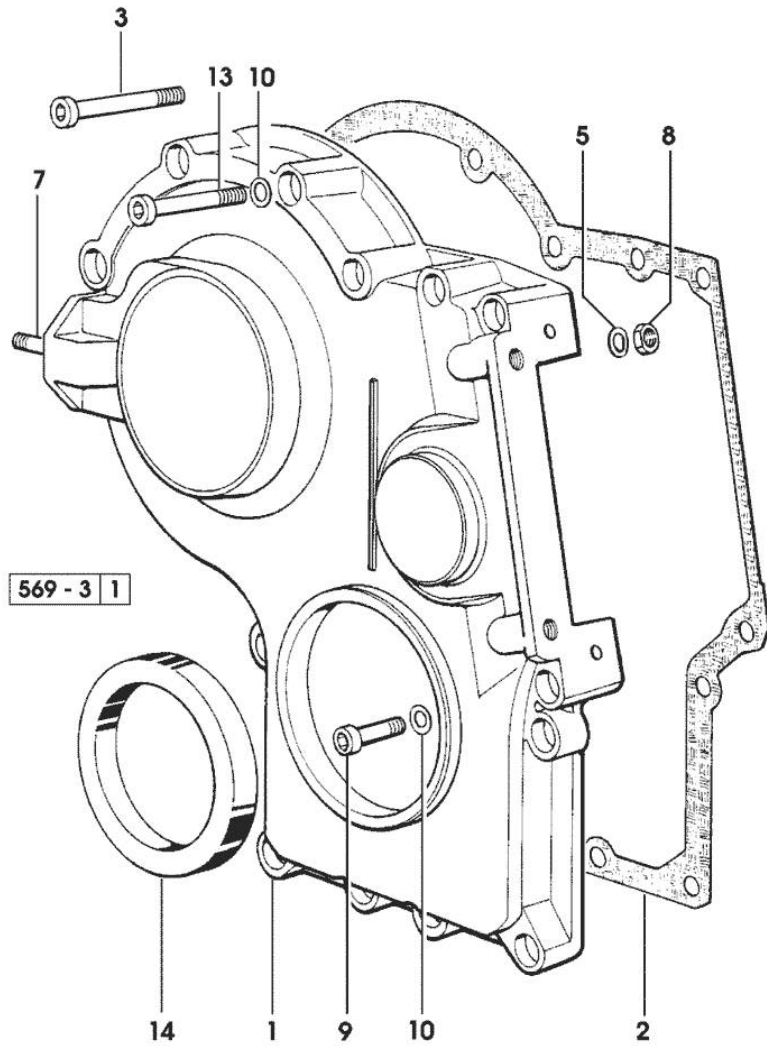
**TIMING CASE**

Fig.	P/n	QTY	Name
------	-----	-----	------

**Notes:**

[FRUTTETO II 85]

1	0.065.1132.0/60	1	guard
2	0.065.1150.0/30	1	gasket
3	2.0312.219.2	4	screw m 8 p.1.25x65
5	2.1470.004.2	4	lock washer 8
7	2.0432.003.7	2	stud bolt m 8 p.1.25 / p.1 x 20
8	2.1011.405.2	2	nut m 8 p.1
9	2.0312.208.2	8	screw m 8 p.1.25 x 25
10	2.1480.014.1	15	washer 8
13	2.0312.214.2	3	screw m 8 p.1.25 x 40
14	2.1529.141.0	1	special oil seal



Section: ENGINE

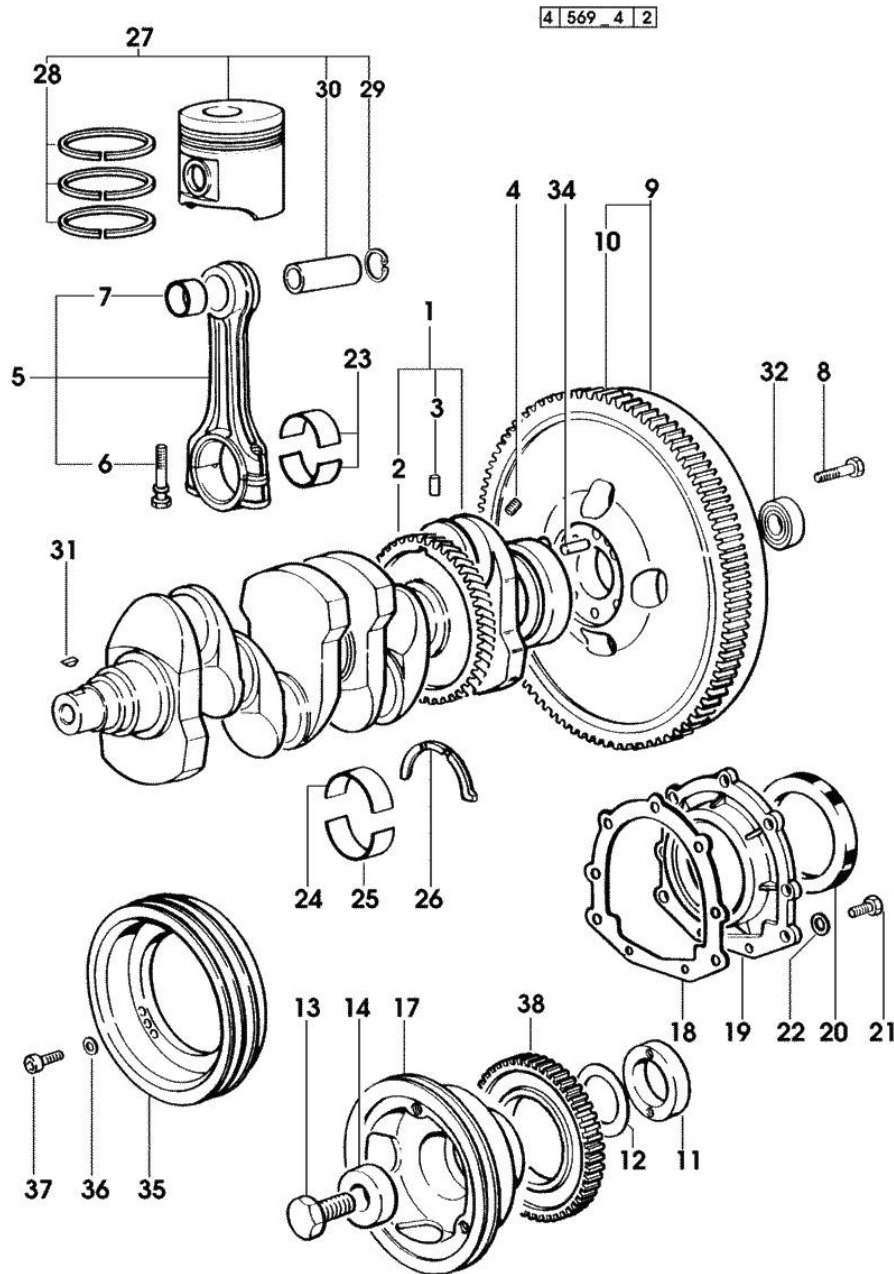
**CRANKSHAFT**

Fig.	P/n	QTY	Name
------	-----	-----	------

**Notes:**

[FRUTTETO II 85]

1	0.086.1210.3/30	1	crankshaft * 31067 <= X FRUTTETO 75 II * 1031 <= X FRUTTETO 85 II - N.1 - 007.1711.0/10
2	0.065.1211.0/10	1	crown wheel
3	2.1630.608.0	1	pin 6x16
4	2.3130.001.1	4	plug 1/8" gas
5	0.078.1220.3/30	4	engine connecting rod
6	2.0399.213.0	8	screw m 12 p.1.25x61.5
7	2.1559.114.0/10	4	special bushing
8	0.330.1250.0	6	screw m 12 p.1.25x98
9	0.332.1247.3/10	1	flywheel
10	0.065.1242.0	1	crown wheel Z = 123
11	0.085.1248.0/10	1	hub
12	2.1589.189.0	3	shoulder ring mm 1.00
13	2.0399.144.7/10	1	screw m 20 p.1.5x51
14	2.1599.524.7	1	washer 21x60x12
17	0.007.1330.0/30	1	pulley * 28204 <= X FRUTTETO 75 II - N.1 - 2.1720.006.0
18	0.065.1254.0/20	1	gasket
19	0.007.1711.0/10	1	cover => 31068 X FRUTTETO 75 II => 1032 X FRUTTETO 85 II
19	0.065.1253.0/10	1	cover 31067 <= X FRUTTETO 75 II 1031 <= X FRUTTETO 85 II
20	2.1529.073.0	1	special oil seal 110x130x13
21	2.0112.207.2	9	screw m 8 p 1.25 x 20
22	2.1475.002.2	9	conical washer 8
23	0.065.1225.0	8	con.rod half bushing STANDARD - A = 28.75 -> 29.00
23	0.065.1225.7		con.rod half bushing - mm 0.25
23	0.065.1225.8		con.rod half bushing - mm 0.50
24	0.065.1215.0	4	main half bushing STANDARD
24	0.065.1215.7		main half bushing - mm 0.25
24	0.065.1215.8		main half bushing - mm 0.50
25	0.065.1216.0	4	main half bushing
25	0.065.1216.7		main half bushing - mm 0.25
25	0.065.1216.8		main half bushing - mm 0.50
26	0.065.1218.0	4	shim STANDARD
26	0.065.1218.7		shim + mm 0.10



## CRANKSHAFT

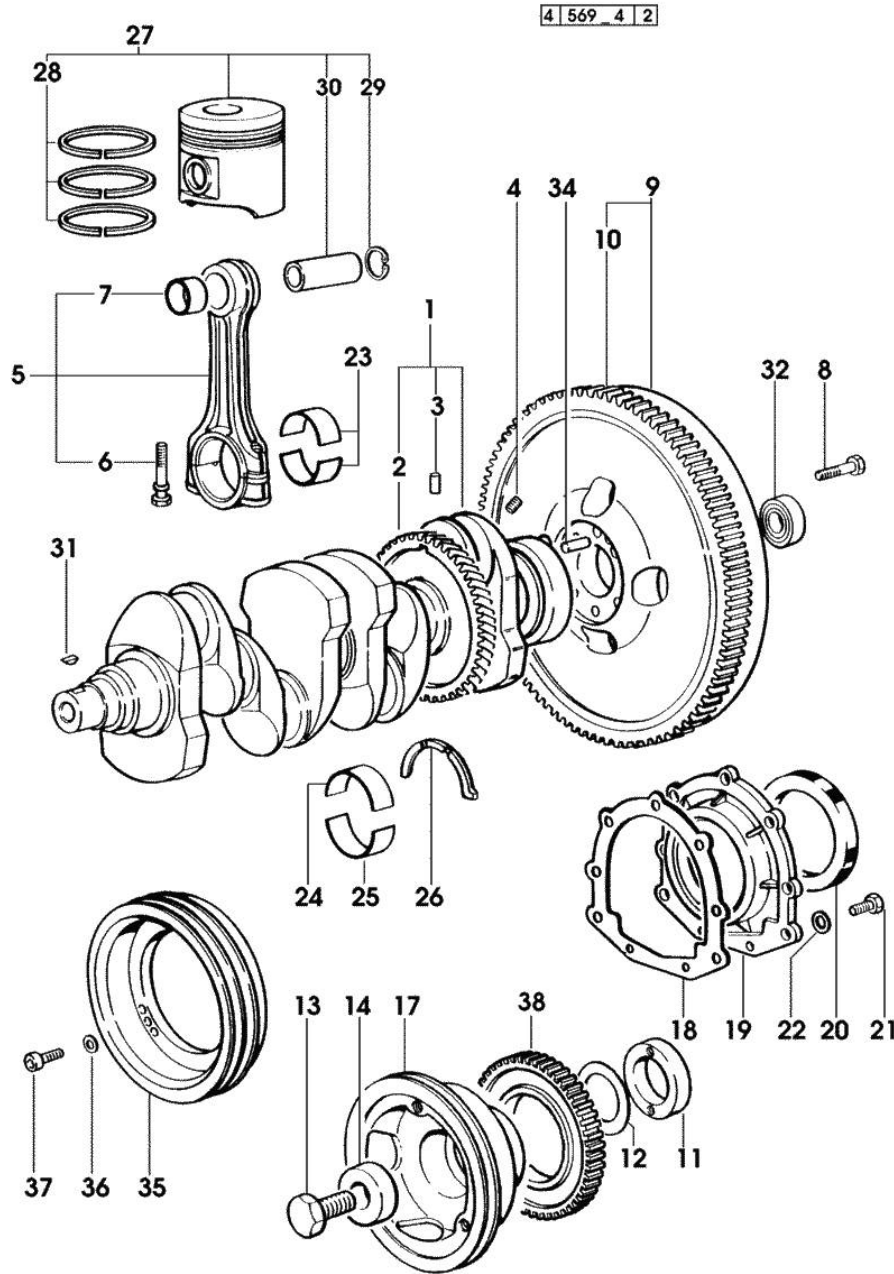


Fig.	P/n	QTY	Name
26	0.065.1218.8		shim + mm 0.15
27	0.086.0060.6/30	4	complete piston 71546 <= X FRUTTETO 75 II
27	0.338.0060.6/20	4	complete piston 5644 <= X FRUTTETO 85 II
27	0.379.0060.6	4	complete piston 71546 <= X FRUTTETO 75 II - EXPORT U.S.A.
27	0.379.0060.A	4	complete piston "A" =>71547 X FRUTTETO 75 II
27	0.379.0060.B	4	complete piston "B" =>71547 X FRUTTETO 75 II
27	0.381.0060.6	4	complete piston 5644 <= X FRUTTETO 85 II - EXPORT U.S.A.
27	0.381.0060.A	4	complete piston "A" => 5645 X FRUTTETO 85 II
27	0.381.0060.B	4	complete piston "B" => 5645 X FRUTTETO 85 II
28	0.086.0052.6/10		piston ring set - X FRUTTETO 75 II
28	0.338.0052.6/10		piston ring set - X FRUTTETO 85 II
29	2.1411.014.1	8	circlip 35
30	0.078.1236.0	4	piston pin Ø 18 / Ø 35 / L = mm 86
31	2.1720.006.0	1	key 4x6.5
32	2.2041.008.0	1	ball bearing 20x47x14
34	2.1652.915.0	1	cylindrical plug 12x35
35	0.086.1251.0	1	pulley - ADDITIONAL PULLEY FOR ACCESSORIES
36	2.1480.015.1	3	washer 10
37	2.0312.308.1	3	screw m 10 p.1.5 x 25
38	0.011.3531.0	1	gear Z = 48

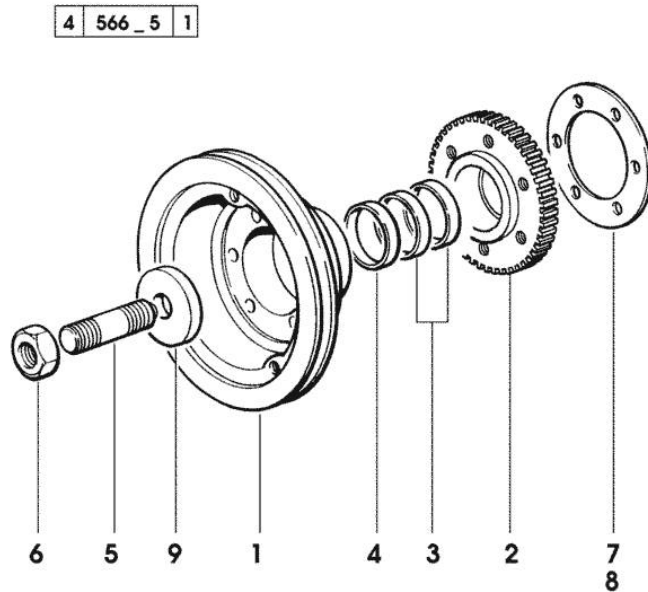
Section: ENGINE

**ENGINE SHAFT - FRONT P.T.O. PULLEYS**

Fig.	P/n	QTY	Name
------	-----	-----	------

**Notes:**

[FRUTTETO II 85]



1	0.086.1244.0	1	pulley
2	0.011.3515.0/10	1	hub Z = 48
3	0.065.1256.0	2	ring 45x52
4	2.1579.865.0	1	spacer 45.2x51.8x10
5	2.0439.195.7	1	stud bolt m 20 p.1.5x80
6	2.1019.094.7	1	nut m 20 p.1.5
7	2.1589.137.0	3	shoulder ring 71x110x1
8	2.1589.136.0	1	shoulder ring 71x110x0.5
9	2.1599.524.7	1	washer 21x60x12

Section: ENGINE

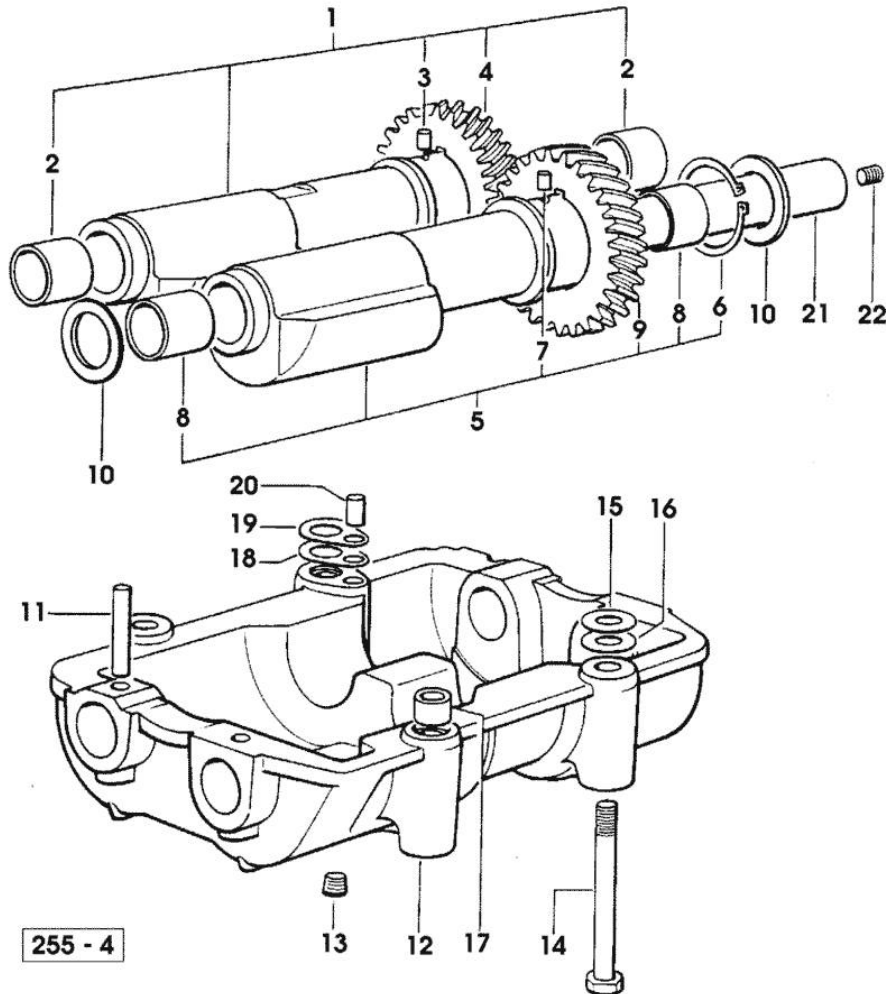
**COUNTERWEIGHTS**

Fig.	P/n	QTY	Name
------	-----	-----	------

**Notes:**

[FRUTTETO II 85]

1	0.086.1233.3/30	1	mass sx/lh/li
2	2.1559.115.0	2	special bushing 26x30x30
3	2.1652.302.0	1	roll pin 4x6
4	0.000.0000.1		cannot be supplied
5	0.065.1233.3/30	1	mass dx/rh/re
6	2.1410.018.1	1	circlip 45
7	2.1652.302.0	1	roll pin 4x6
8	2.1559.115.0	2	special bushing 26x30x30
9	0.000.0000.1		cannot be supplied
10	2.1589.185.0	4	shoulder ring 26.1x34x1
11	2.1631.717.0	2	roll pin 8 x 40
12	0.086.1231.0/10	1	box
13	2.3130.001.1	4	plug 1/8" gas
14	2.0139.028.2	4	screw m 12
15	2.1579.628.0	3	spacer 16.5x26x0.1
15	2.1589.048.0	2	shoulder ring 16.5x26x0.3
16	2.1579.629.0	4	spacer 12.5x26x0.1
16	2.1589.049.0	2	shoulder ring 12.5x26x0.3
17	2.1579.626.0	2	spacer 13.2x16x11
18	2.1589.139.0	2	shoulder ring mm 0.3
19	2.1589.140.0	2	shoulder ring mm 0.1
20	2.1699.191.0	1	bush 7x10x16
21	0.065.1234.0/10	2	shaft
			* .
			- N.1 - 2.3130.001.1
22	2.3130.001.1	1	plug 1/8" gas





Section: ENGINE

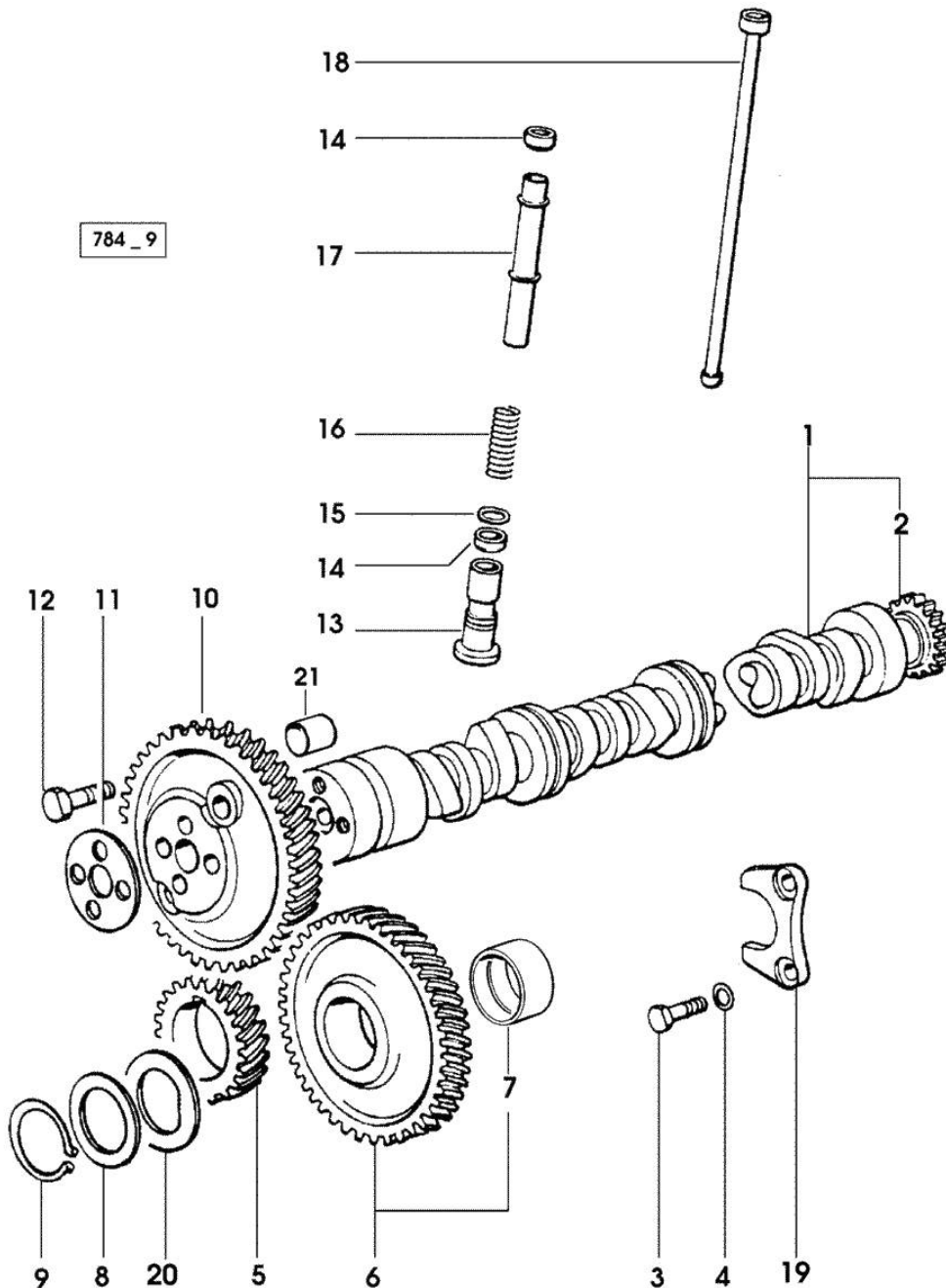
**CAMSHAFT**

Fig.	P/n	QTY	Name
<b>Notes:</b>			
[FRUTTETO II 85]			
1	0.007.1712.3/10	1	camshaft 8646 <- X FRUTTETO 75 EXPORT U.S.A. 5009 <- X FRUTTETO 85 EPORT U.S.A.
1	0.066.1310.3/40	1	camshaft
2	0.065.1324.0/10	1	gear Z = 32
3	2.0312.206.2	2	screw m 8 p 1.25 x 20
4	2.1480.014.1	2	washer 8
5	0.065.1323.0/30	1	gear Z = 29
6	0.007.1177.3/10	1	gear z = 57 - WITH RED IDENTIFICATION STAMP
6	0.007.1178.3/10	1	gear z = 57 - WITH YELLOW IDENTIFICATION STAMP
6	0.007.1179.3/10	1	gear z = 57 - WITH GREEN IDENTIFICATION STAMP
7	2.1559.185.0/10	1	bushing
8	0.065.1352.0	1	shim
9	2.1410.016.1	1	circlip 40
10	0.065.1354.0/20	1	gear z=58
11	0.065.1350.0	1	small disc
12	2.0132.207.2	4	screw m 10 p.1 x 25
13	0.065.1330.0	8	tappets
14	2.1569.114.0/10	16	gasket 14x18.5x8
15	2.1599.437.0	8	shoulder ring
16	2.4019.300.1/10	8	spring 18.5x52x2
17	0.065.1332.0	8	sleeve
18	0.065.1331.2	8	rod
19	0.065.1353.0	1	small plate
20	0.065.1351.0	2	shoulder ring
21	2.1559.398.0	1	bushing 10.5x13x12

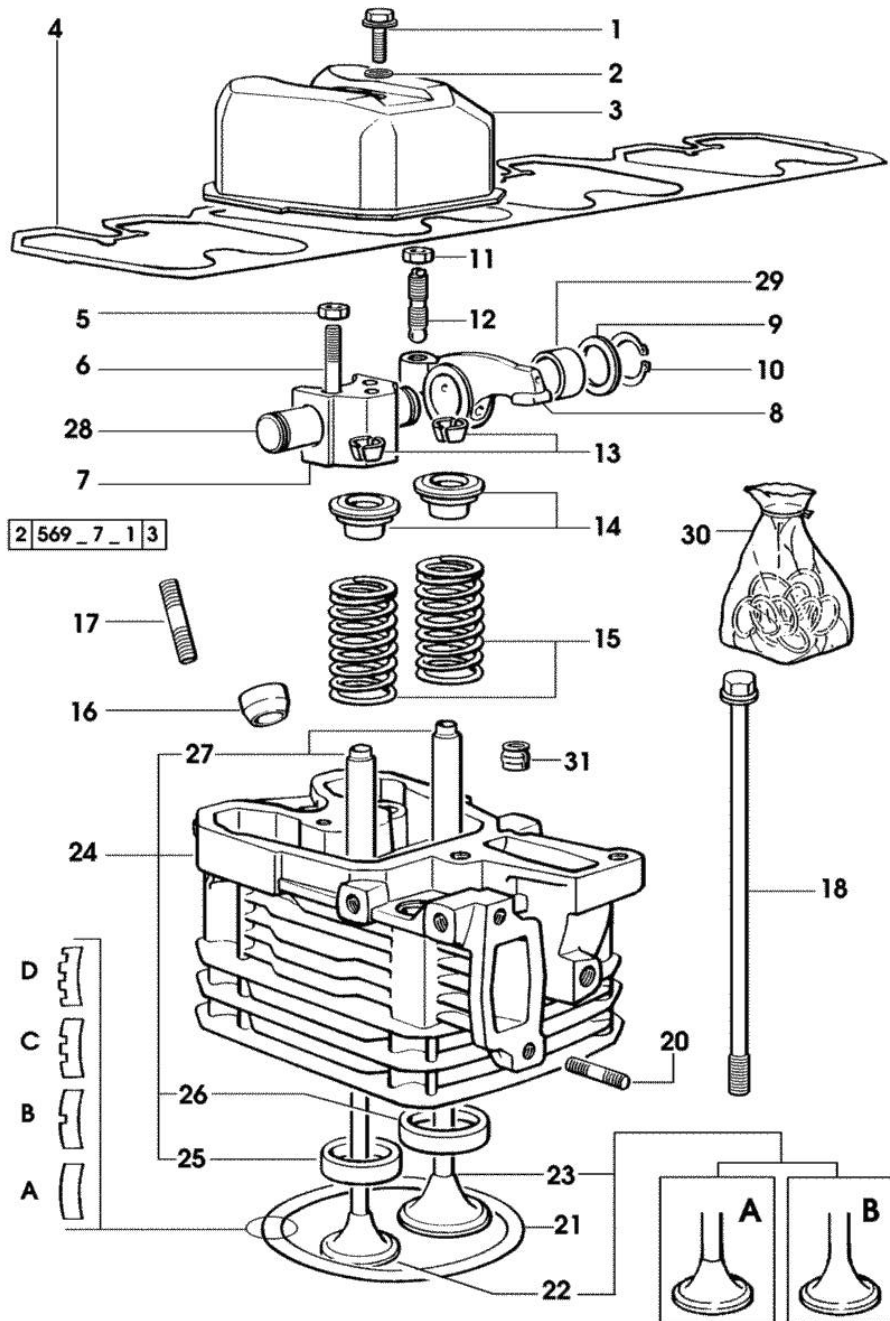
Section: ENGINE  
CYLINDER HEAD

Fig.	P/n	QTY	Name
<b>Notes:</b> [FRUTTETO II 85]			
1	2.0399.130.2	4	screw m 8 x 30 39125 <= X FRUTTETO 75 II 1514 <= X FRUTTETO 85 II
1	2.0399.130.2/10	4	screw m 8x36x44 => 39126 X FRUTTETO 75 II => 1515 X FRUTTETO 85 II
2	2.1569.170.0/10	4	gasket 8.2 x 14
3	0.007.1139.0/10	4	small cap * 39125 <= X FRUTTETO 75 II * 1514 <= X FRUTTETO 85 II - N.4 - 2.0399.130.2/10
4	0.065.1450.0/30	1	tappet gasket
5	2.1011.421.2	8	nut m 10 p.1.25
6	2.0432.163.7	8	stud bolt m 10 p.1.5 / p.1.25 x 45
7	0.066.1430.0/10	4	support
8	0.066.1432.0	8	rocker arm
9	2.1599.432.0	8	shoulder ring
10	2.1410.055.1	8	circlip 19
11	2.1011.405.2	8	nut m 8 p.1
12	0.021.1434.0	8	screw
13	0.074.1423.0	16	conical valve cotter
14	0.066.1425.0	8	cup
15	2.4019.287.0	8	spring
16	0.007.1122.0/10	4	bush L = mm 6.4 => 27323 X FRUTTETO 75 II => 1001 X FRUTTETO 85 II
16	0.065.1413.0/10	4	bush L = mm 97.1 27322 <= X FRUTTETO 75 II
17	2.0432.161.7	4	stud bolt m 10 p.1.5 / p.1.25 x 40
18	0.065.1443.0/20	16	screw
20	2.0432.015.7	8	stud bolt m 8 p.1.25-1x50
21	0.085.1450.0	3	head gasket mm 0.5 -A-
21	0.085.1451.0	4	head gasket mm 0.7 -B-
21	0.085.1452.0	4	head gasket mm 1.0 -C-
21	0.085.1453.0	4	head gasket mm 0.8 -D-
22	0.010.6022.0	4	exhaust valve mm 39.1 / Ø mm 9 - X FRUTTETO 85 II -> (...) = B
22	0.066.1421.0	4	exhaust valve - X FRUTTETO 75 II - X FRUTTETO 85 II (...) <- = A
23	0.010.6016.0	4	inlet valve mm 43.63 / Ø mm 9

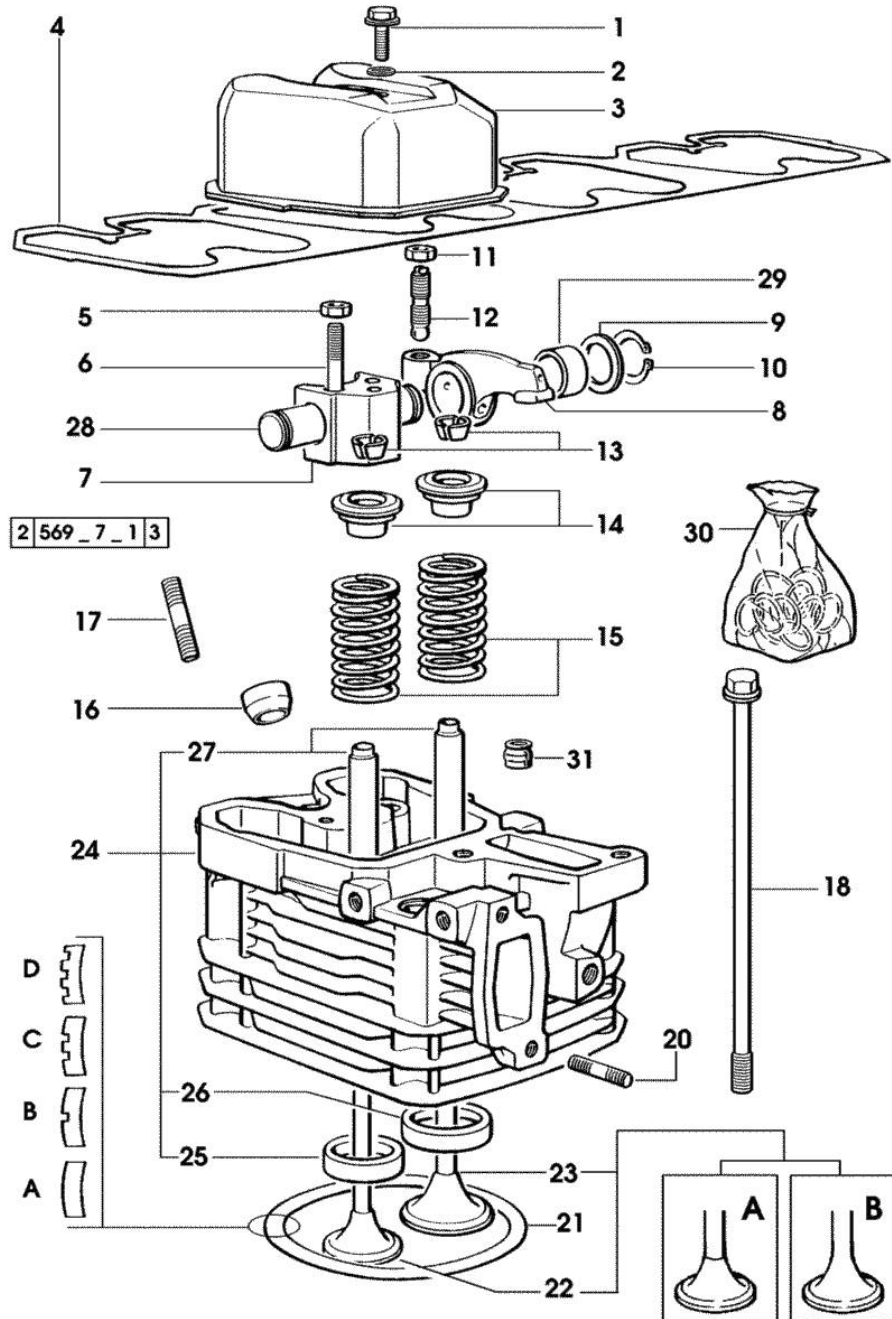
Section: ENGINE  
CYLINDER HEAD

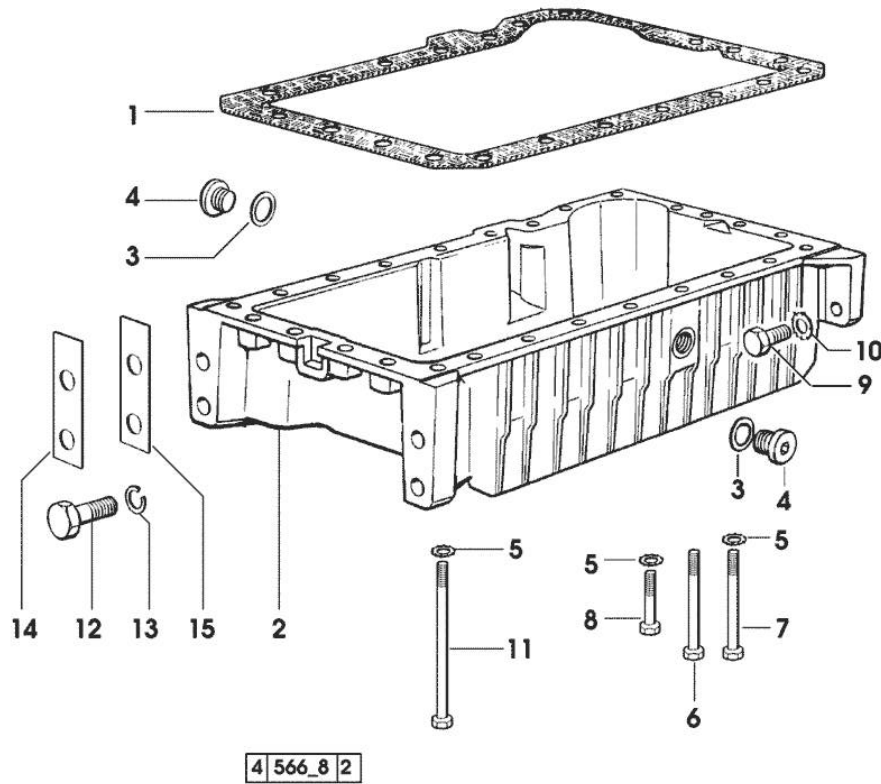
Fig.	P/n	QTY	Name
23	0.010.6017.0	4	- X FRUTTETO 75 II inlet valve mm 43.63 / Ø mm 9
23	0.081.1420.0	4	- X FRUTTETO 85 II -> (...) = B inlet valve Ø mm 9
24	0.007.1110.3/50	4	- X FRUTTETO 85 II (...) <- = A engine head * 27322 <= X FRUTTETO 75 II
24	0.007.1359.3/50	4	- N.4 - 007.1122.0/10 - X FRUTTETO 85 II (...) <- = A engine head - X FRUTTETO 85 II -> (...) = B
25	0.066.1427.0	4	valve seat
26	0.078.1426.0	4	valve seat
27	0.007.1779.0/10	8	valve guide
28	0.066.1431.0	4	pin
29	2.1559.021.0/40	8	bushing 15x19x22
30	0.085.0057.6/10	1	gasket set
31	2.1519.117.0	8	- FOR 1 CYLINDER VALVE GRINDING AND PISTON RINGS REPLACEMENT special oil seal

Section: ENGINE  
LUBRICATION

Fig.	P/n	QTY	Name
------	-----	-----	------

Notes:  
[FRUTTETO II 85]

1	0.007.0614.0/10	1	gasket - X FRUTTETO 60 II
1	0.065.1550.0/10	1	gasket - X FRUTTETO 75 II - 85 II
2	0.007.1277.0/40	1	oil sump - X FRUTTETO 75 II - 85 II
2	0.007.1422.0/40	1	oil sump - X FRUTTETO 60 II * 13382 <= - N.1 - 007.1427.0 - 002.8816.0
3	2.1560.054.0	1	gasket 21 x 26 - X FRUTTETO 60 II
4	2.3199.001.2	2	plug 1/2" gas - X FRUTTETO 60 II
5	2.1470.004.2	22	lock washer 8 - X FRUTTETO 60 II
6	2.0112.226.2	7	screw m 8 p.1.25 x 85 - X FRUTTETO 60 II
7	2.0112.226.2	4	screw m 8 p.1.25 x 85 - X FRUTTETO 75 II - 85 II
8	2.0112.215.2	13	screw m 8 p.1.25 x 40 - X FRUTTETO 60 II
9	2.0112.411.2	4	screw m 12 p.1.75 x 30
10	2.1470.007.2	4	lock washer 12
11	2.0112.239.2	2	screw m 8 p.1.25 x 150
12	2.0112.720.1	4	screw m 18 p.2.5 x 55 - X FRUTTETO 60 II
13	2.1475.007.7	4	washer 18 - X FRUTTETO 60 II
14	0.008.8586.0/10	4	shim mm 0.20 - X FRUTTETO 60 II
15	0.008.8587.0/10	8	shim mm 0.50 - X FRUTTETO 60 II



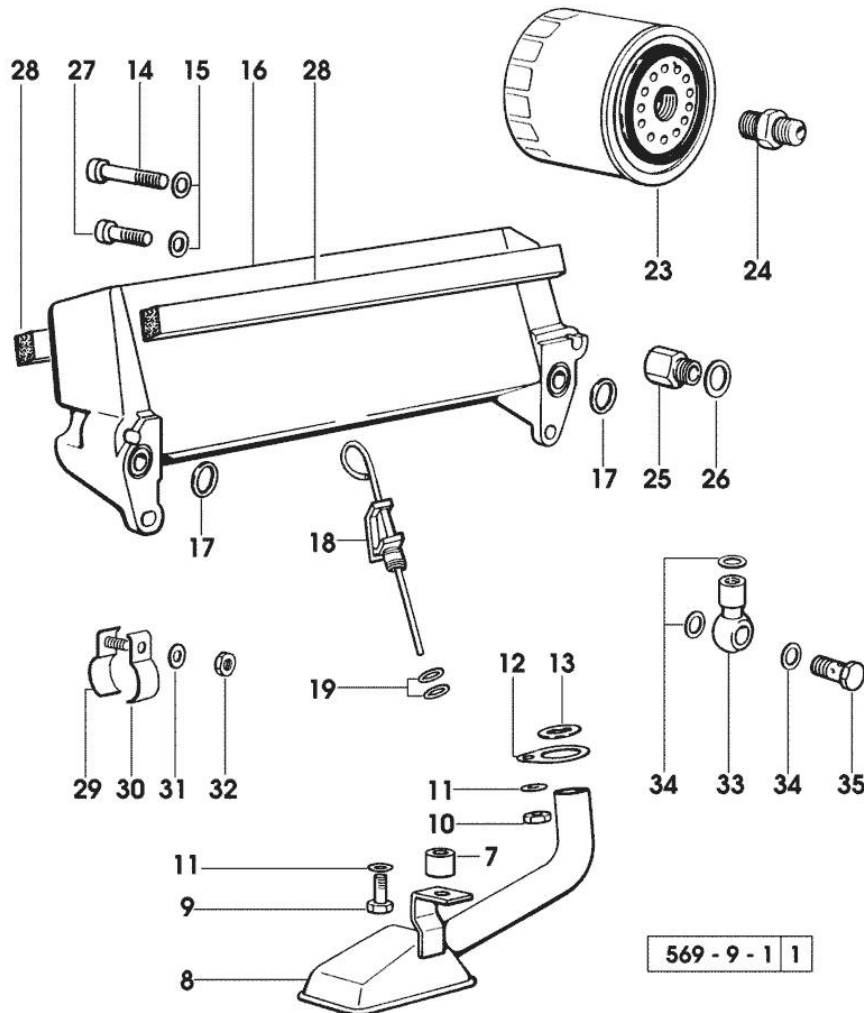
Section: ENGINE  
LUBRICATIONNotes:  
[FRUTTETO II 85]

Fig.	P/n	QTY	Name
7	2.1579.766.2	1	spacer 8.5x16x10
8	0.065.1531.3/20	1	tube
9	2.0112.205.2	1	screw m 8 p.1.25 x 16 (...) <-
9	2.0112.209.2	1	screw m 8 p 1.25 x 25 -> (...)
10	2.1011.105.2	1	nut m 8 p.1.25
11	2.1470.004.2	2	lock washer 8
12	0.065.1538.0	1	flange
13	2.1539.040.0	1	special oil seal 21.82 x 3.53
14	2.0312.216.2	2	screw m 8 p.1.25x50
15	2.1310.004.2	2	flat washer 8.4x17
16	0.007.7320.3	1	oil cooler
17	2.1539.048.0	2	special oil seal 20.35x1.78
18	0.007.1623.2	1	dipstick
19	2.1539.065.0	2	special oil seal 8.73 x 1.78
23	0.044.1567.0	1	oil filter element - X FRUTTETO 75 II
23	2.4419.340.0	1	oil filter element - X FRUTTETO 85 II
24	2.3339.307.0	1	pipe fitting m 22 p.1.5-3/4"
25	2.3339.353.2/20	1	pipe fitting 12 p.1.5-18 p.1.5 - X FRUTTETO 75 II
26	2.1560.014.0	1	washer 18.2 x 24
27	2.0399.125.2/10	2	screw m 8 x 55
28	0.052.1856.0	2	gasket
29	0.075.1552.2	1	bracket
30	0.075.1552.0	1	bracket
31	2.1470.002.2	1	lock washer 6
32	2.1011.103.2	1	nut m 6 p.1
33	2.3249.014.2	1	pipe fitting m 12 p.1.5 - X FRUTTETO 75 II
34	2.1560.008.0	3	gasket 12.2 x 18 - X FRUTTETO 75 II
35	2.3335.052.2	1	pipe union m 12 p.1.5 - X FRUTTETO 75 II

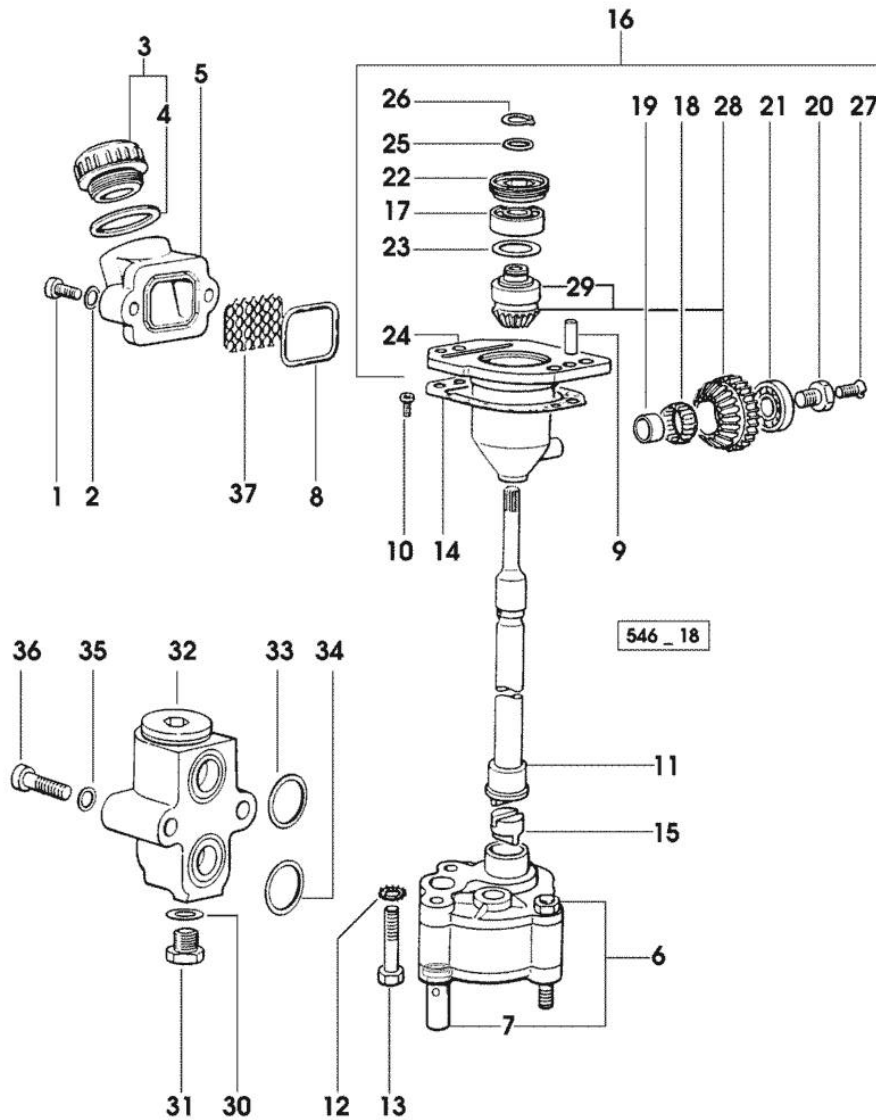
569 - 9 - 1 | 1

Section: ENGINE  
LUBRICATION

Fig.	P/n	QTY	Name
------	-----	-----	------

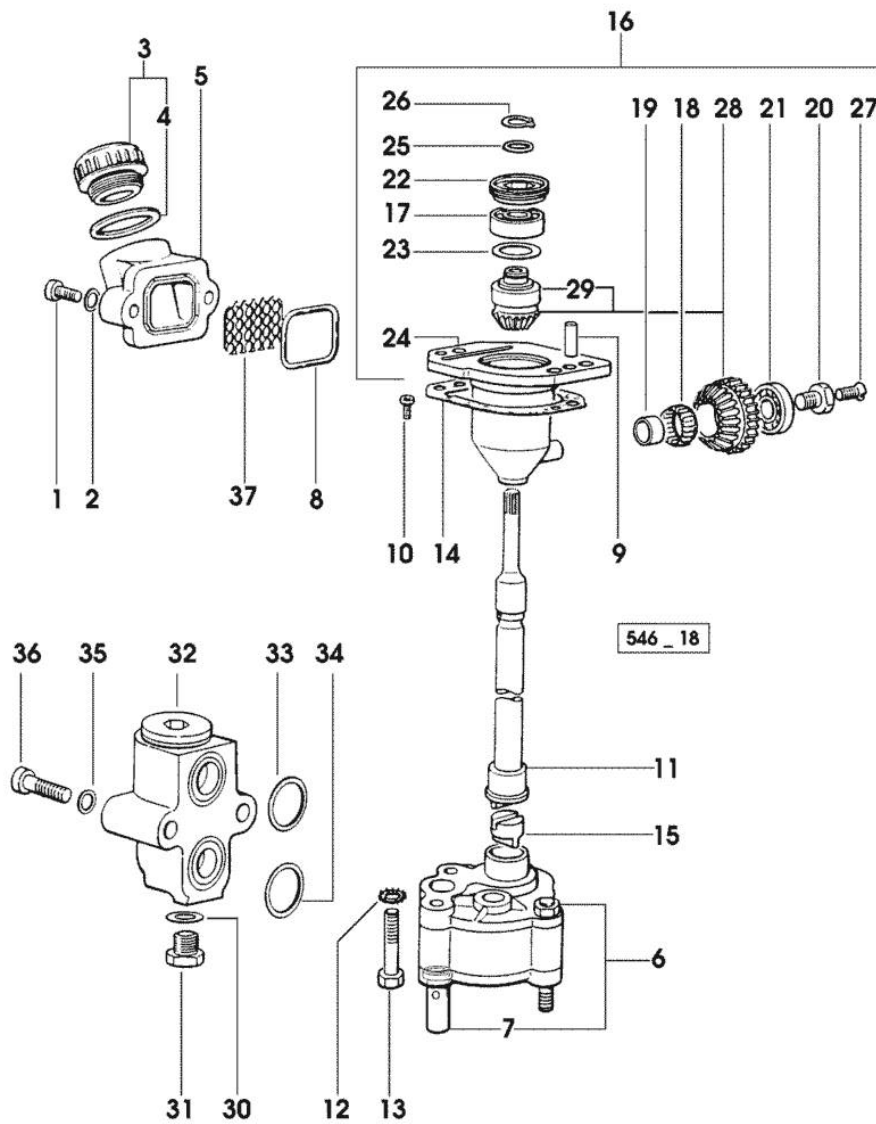
Notes:  
[FRUTTETO II 85]

1	2.0312.206.2	2	screw m 8 p 1.25 x 20
2	2.1480.014.1	2	washer 8
3	0.041.1135.4	1	plug 1" gas
4	2.1569.072.0	1	gasket 32 x 39.5 x 2
5	0.065.1565.0/10	1	pipe union
6	0.010.5441.4/10	1	oil pump - X FRUTTETO 75 II - 85 II
6	0.010.5481.4	1	oil pump - X FRUTTETO 60 II
7	0.065.1552.3/60	1	valve
8	2.1539.042.0	1	special oil seal 47.35x1.78
9	2.1651.711.0	2	pin 8 x 14
10	2.0169.005.2	2	screw m 6 p.1 x 12
11	0.065.1569.0/40	1	shaft
12	2.1470.006.2	2	lock washer 10
13	2.0112.323.2	2	screw m 10 p.1.5x70 - X FRUTTETO 60 II
13	2.0112.325.2	2	screw m 10 p.1.5 x 80 - X FRUTTETO 75 II - 85 II
14	0.065.1560.0/20	2	gasket
15	0.065.1562.0/10	1	joint
16	0.075.1551.4/20	1	support
17	2.2020.001.0	1	ball bearing 15 x 32 x 8.00
18	2.2725.016.0	1	roller cage 15 x 21 x 12
19	2.2680.020.0	1	ring 12 x 15 x 12
20	2.0399.128.2/10	1	screw m 8 p.1 x 8
21	2.2030.002.0	1	ball bearing 12 x 28 x 8
22	2.1219.025.2/10	1	ring nut m 36 p.1.5
23	2.1589.148.0	1	shoulder ring 28.2 x 31.8 x 0.5
23	2.1589.150.0	2	shoulder ring 28.2 x 31.8 x 0.1
23	2.1589.151.0	2	shoulder ring 28.2 x 31.8 x 0.15
24	0.075.1551.3/30	1	support
25	2.1589.146.0	2	shoulder ring 15.2 x 19 x 0.15
25	2.1589.147.0	2	shoulder ring 15.2 x 19 x 0.10
25	2.1589.153.0	1	shoulder ring 15.2 x 19 x 1.00
26	2.1410.057.1	1	circlip 15
27	2.0342.007.2	1	screw m 4 p.0.7x25
28	0.065.1558.6/10	1	bevel drive
29	0.065.1559.0	1	bush
30	2.1560.010.0	1	gasket 14.2 x 20
31	2.3110.403.1	1	plug m 14 p.1.5x12



Section: ENGINE  
LUBRICATION

Fig.	P/n	QTY	Name
32	0.065.1581.4/20	1	valve
33	2.1539.048.0	1	special oil seal 20.35x1.78
34	2.1539.072.0	1	special oil seal 23.52 x 1.78
35	2.1480.014.1	2	washer 8
36	2.0312.215.1	2	screw m 8 p.1.25 x 45
37	0.065.1567.0/10	1	filter



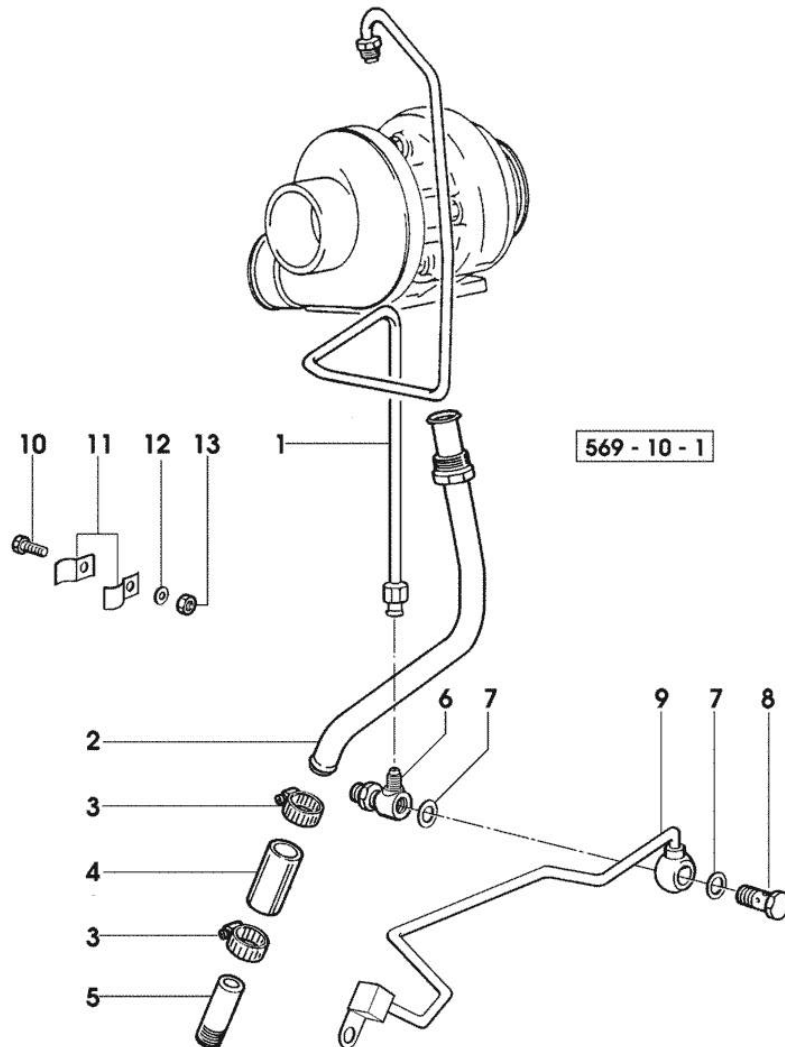
Section: ENGINE

**LUBRICATION**

Fig.	P/n	QTY	Name
------	-----	-----	------

**Notes:**

[FRUTTETO II 85]



1	0.007.1459.3/10	1	tube
2	0.007.1335.3/10	1	tube
3	2.6850.006.0	2	clamp 18-28
4	0.007.0729.0/10	1	sleeve
5	2.3339.490.2	1	pipe fitting m 16 p.1.5
6	2.3339.574.2	1	pipe fitting
7	2.1560.008.0	2	gasket 12.2 x 18
8	2.3330.003.1	1	pipe union m 12 p.1.5
9	0.007.1767.3	1	tube
10	2.0112.007.2	1	screw m 6 p.1 x 20
11	0.007.0730.0	2	small plate
12	2.1470.002.2	1	lock washer 6
13	2.1011.103.2	1	nut m 6 p.1



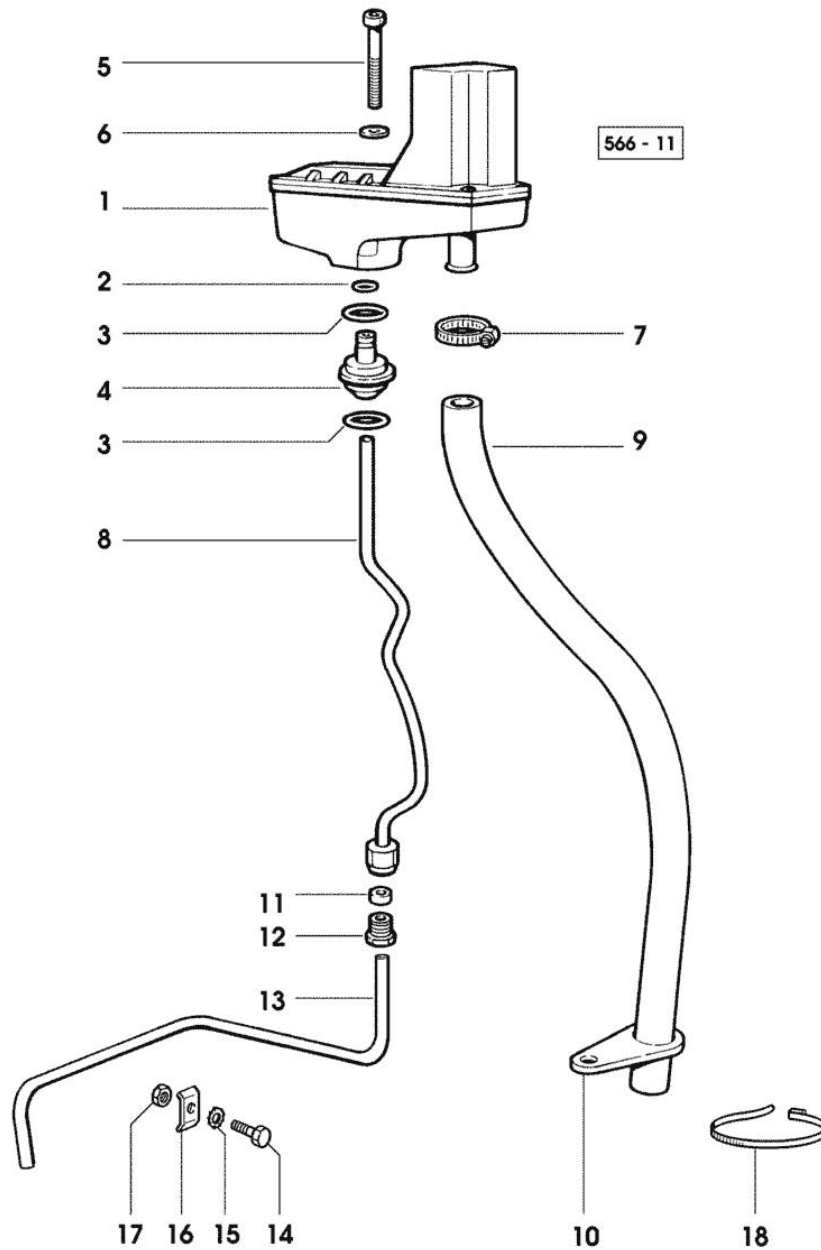
Section: ENGINE  
LUBRICATION

Fig.	P/n	QTY	Name
------	-----	-----	------

Notes:  
[FRUTTETO II 85]

1	0.066.1552.4/10	1	sediment bowl ☞ 01.00.57
2	2.1532.014.0	1	oil seal 7.65 x 1.78
3	2.1539.072.0	2	special oil seal 23.52 x 1.78
4	0.066.1558.0	1	bush
5	2.0312.221.2	2	screw m 8 p.1.25x75
6	2.1480.014.1	2	washer 8
7	2.6859.073.2	1	clamp
8	0.066.1557.2	1	tube
9	0.066.1559.0	1	tube
10	0.075.1151.0	1	bracket - X FRUTTETO 75 II - 85 II
11	2.3350.003.1	1	nosepiece 8
12	2.3339.418.1	1	pipe fitting m 12 p.1
13	0.007.1427.0	1	tube - X FRUTTETO 60 II
13	0.066.1556.0	1	tube - X FRUTTETO 75 II - 85 II
14	2.0112.007.2	1	screw m 6 p.1 x 20
15	2.1470.002.2	1	lock washer 6
16	0.002.8816.0	1	small plate - X FRUTTETO 60 II
17	2.1011.103.2	1	nut m 6 p.1
18	0.98503.67.0	1	clamp - X FRUTTETO 60 II

Section: ENGINE

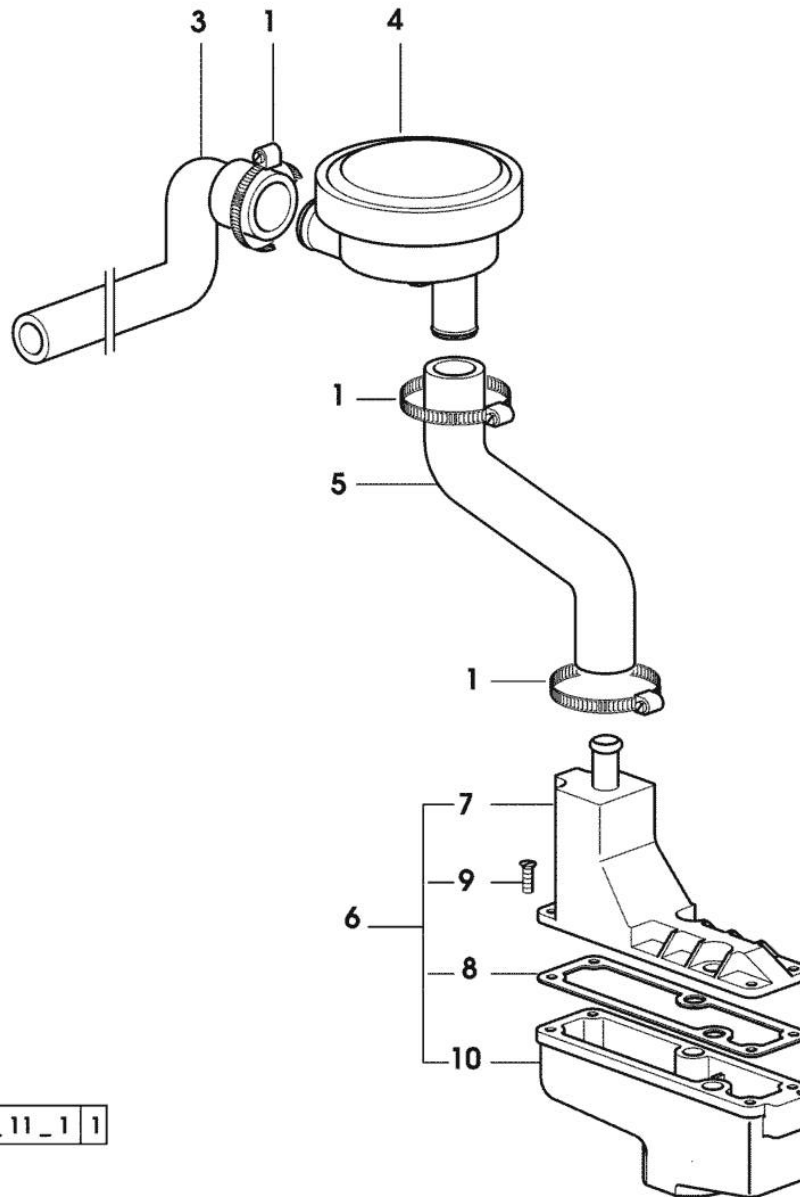
**LUBRICATION**

Fig.	P/n	QTY	Name
------	-----	-----	------

**Notes:**

- EXPORT U.S.A. [FRUTTETO II 85]

1	2.6850.004.0	4	clamp
3	0.011.0996.0	1	tube - X FRUTTETO 60 II - 75 II
3	0.011.3814.0	1	tube - X FRUTTETO 85 II
4	0.010.6507.0	1	valve
5	0.011.1026.0	1	tube - X FRUTTETO 60 II - 75 II
5	0.011.3800.0	1	tube - X FRUTTETO 85 II
6	0.011.1030.4	1	sediment bowl
7	0.011.1028.3	1	cover
8	0.066.1554.0/10	1	gasket
9	2.0351.203.6	4	screw 3.5x9.5
10	0.011.1030.0	1	sediment bowl



4 566\_11\_1 1

Section: ENGINE

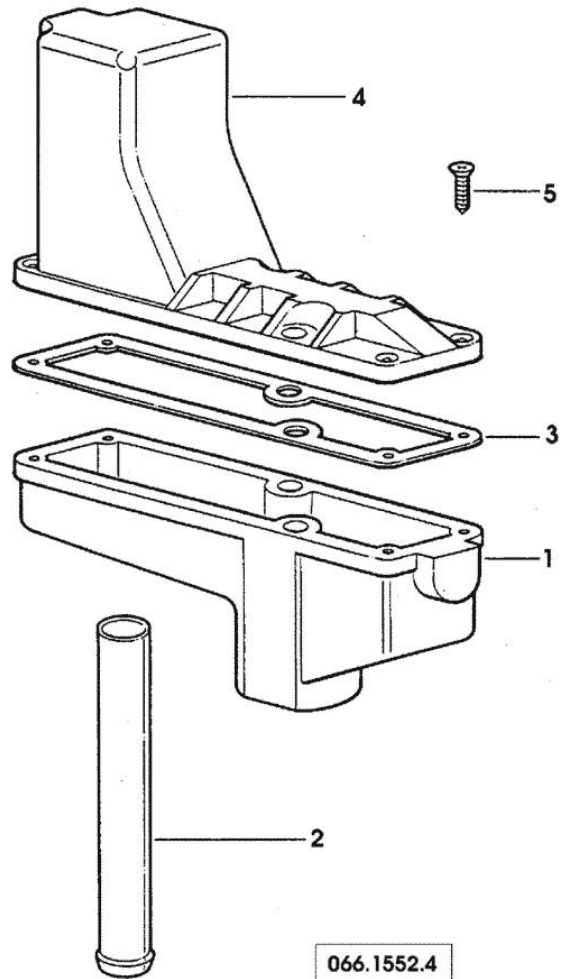
**OIL VAPORS SEDIMENT BOWL PARTS**

Fig.	P/n	QTY	Name
------	-----	-----	------

**Notes:**

[FRUTTETO II 85]

1	0.066.1552.0	1	sediment bowl
2	0.066.1555.0	1	tube
3	0.066.1554.0/10	1	gasket
4	0.066.1553.0	1	cover
5	2.0351.203.2	4	screw 3.5x9.5



Section: ENGINE

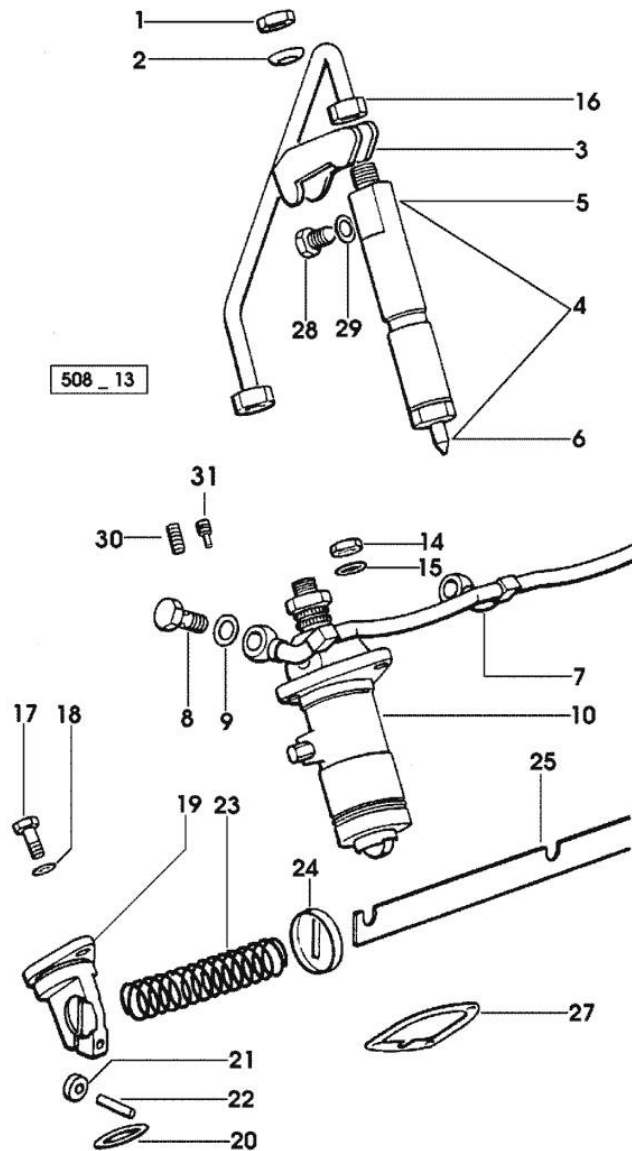
**FUEL SUPPLY SYSTEM**

Fig.	P/n	QTY	Name
<b>Notes:</b>			
[FRUTTETO II 85]			
1	2.1011.421.2	4	nut m 10 p.1.25
2	2.1599.454.0	4	shoulder ring 10.5x17x7.5
3	0.011.5275.0/20	4	bracket
4	2.4719.200.0/10	4	injector assembly BOSCH 71546 <= X FRUTTETO 75 II 5644 <= X FRUTTETO 85 II
4	2.4719.320.0/10	4	injector assembly BOSCH => 71547 X FRUTTETO 75 II => 5645 X FRUTTETO 85 II - EXPORT U.S.A.
5	2.4719.190.0	4	nozzle holder BOSCH ☞ 2.4719.190.0 ☞ 01.00.80
6	2.4729.100.0	4	nozzle BOSCH 71546 <= X FRUTTETO 75 II 5644 <= X FRUTTETO 85 II
6	2.4729.170.0/10	4	nozzle BOSCH => 71547 X FRUTTETO 75 II => 5645 X FRUTTETO 85 II - EXPORT U.S.A.
7	0.077.1650.3/10	1	tube
8	2.3339.001.2	4	pipe union m 10 p.1x27
9	2.1560.005.0	8	copper gasket 10.2 x 14
10	2.4619.030.0/30	4	injector pump - 555 - BOSCH => 71547 X FRUTTETO 75 II => 5645 X FRUTTETO 85 II - EXPORT U.S.A. ☞ 2.4619.030.0/30 ☞ 01.00.93
10	2.4619.051.0	4	injector pump "A" 71546 <= X FRUTTETO 75 II 5644 <= X FRUTTETO 85 II ☞ 01.00.87
10	2.4619.051.1		injector pump "B" 71546 <= X FRUTTETO 75 II 5644 <= X FRUTTETO 85 II ☞ 01.00.87
10	2.4619.051.2		injector pump "C" 71546 <= X FRUTTETO 75 II 5644 <= X FRUTTETO 85 II ☞ 01.00.87

Thank you so much for reading.  
Please click the “Buy Now!”  
button below to download the  
complete manual.



After you pay.

You can download the most  
perfect and complete manual in  
the world immediately.

Our support email:

[ebooklibonline@outlook.com](mailto:ebooklibonline@outlook.com)