

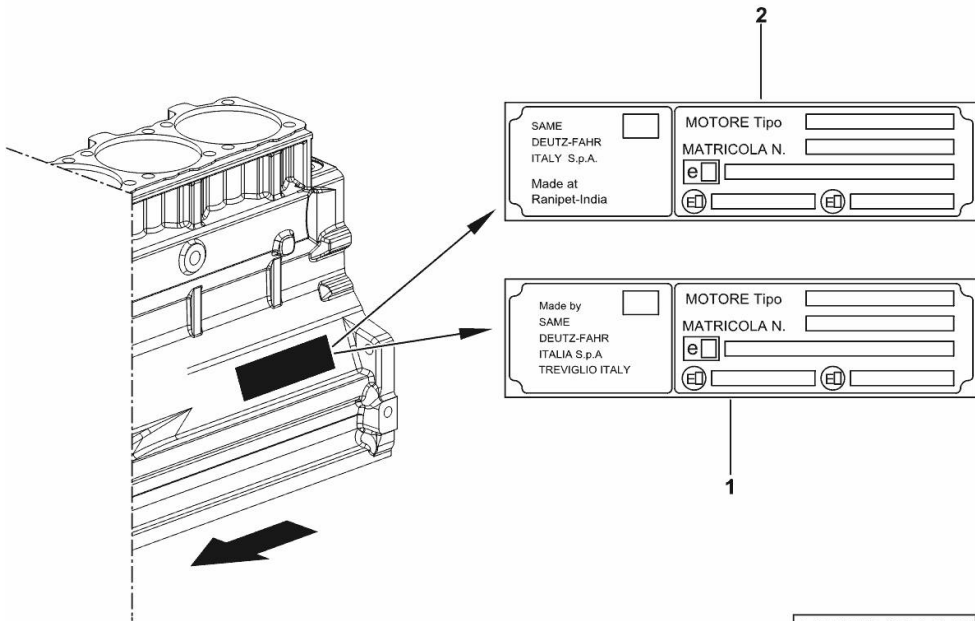
**ENGINE TYPE-APPROVAL DATA PLATE**

Fig.	P/n	QTY	Name
------	-----	-----	------

**Notes:**

[Frutteto<sup>3</sup> 100 CLASSIC]

1	0.000.0000.1		cannot be supplied MADE BY TREVIGLIO ITALY
2	0.000.0000.1		cannot be supplied MADE AT RANIPET - INDIA



9\_STA000\_00\_0-A-001

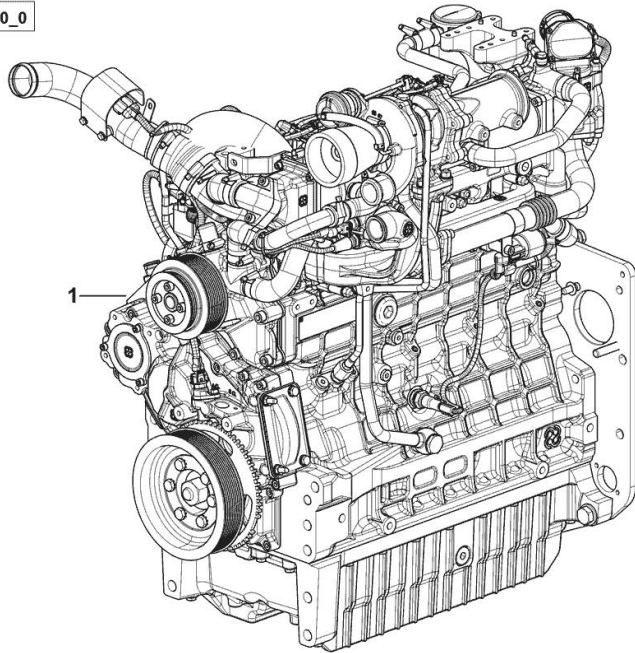
**LIGHT ENGINE**

Fig.	P/n	QTY	Name
------	-----	-----	------

**Notes:**FOR ENGINES PRODUCED IN : TREVIGLIO ITALY [Frutteto<sup>3</sup> 100 CLASSIC]

1	6.K0400.01.0	1	engine ON ORDERING PLEASE ENGINE NO. REQUIRED
---	--------------	---	---

9\_MOT4CYL\_00\_0



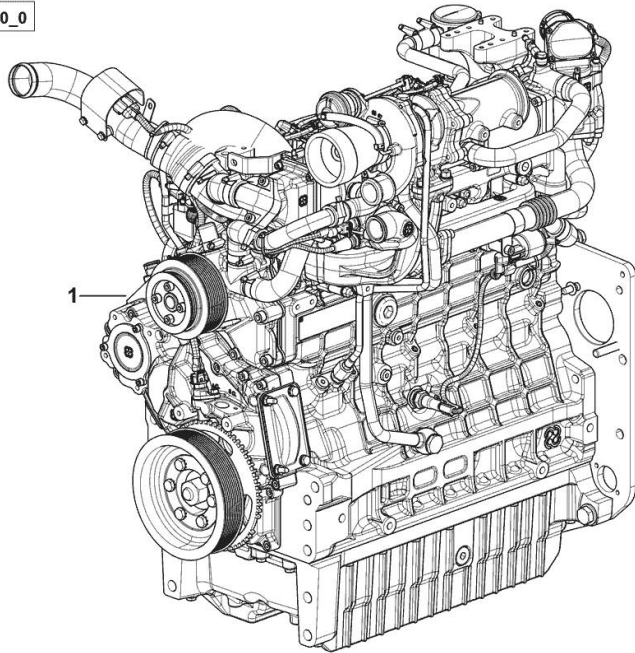
**LIGHT ENGINE**

Fig.	P/n	QTY	Name
------	-----	-----	------

**Notes:**FOR ENGINES PRODUCED IN : RANIPET - INDIA [Frutteto<sup>3</sup> 100 CLASSIC]

1	I6.Q9801.00.0	1	engine ON ORDERING PLEASE ENGINE NO. REQUIRED
---	---------------	---	---

9\_MOT4CYL\_00\_0



**LIGHT ENGINE**

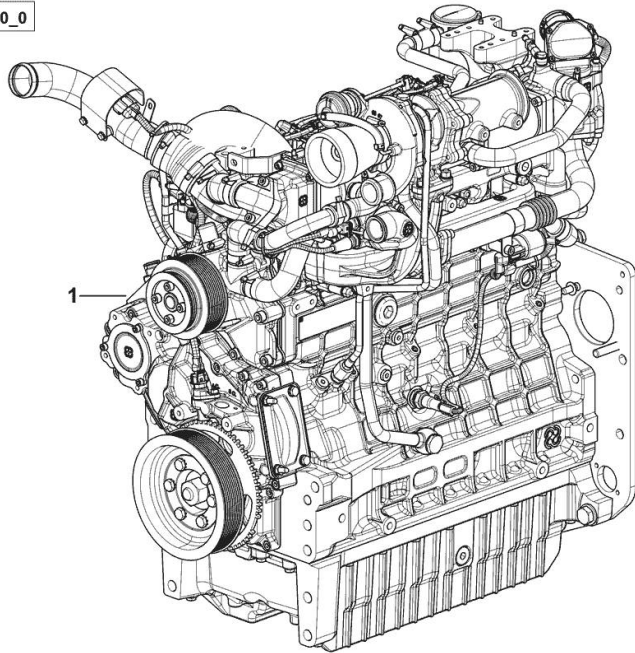
Fig.	P/n	QTY	Name
------	-----	-----	------

**Notes:**

- FOR ENGINES BUILT IN: RANIPET - INDIA / NOT FOR EUROPE MARKET [Frutteto<sup>3</sup> 100 CLASSIC]

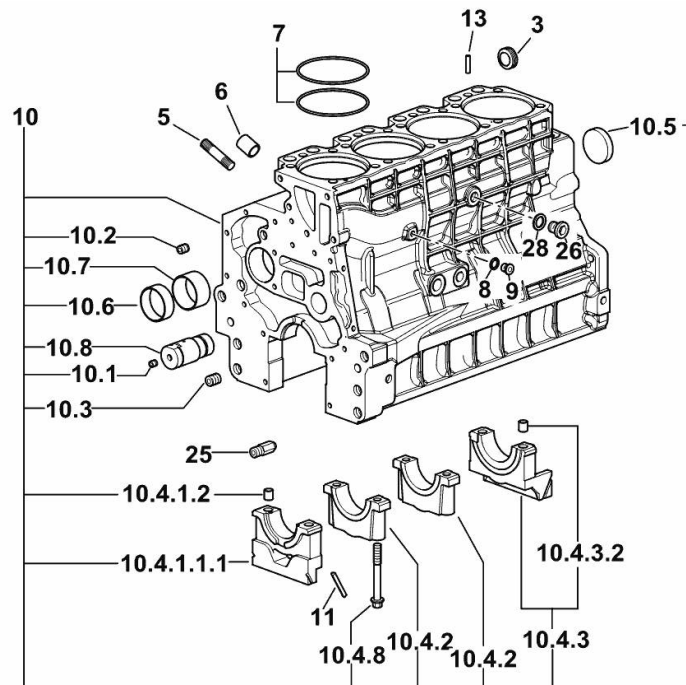
1	I6.Q9805.00.0	1	engine ON ORDERING PLEASE ENGINE NO. REQUIRED
---	---------------	---	---

9\_MOT4CYL\_00\_0



**CRANKCASE**

Fig.	P/n	QTY	Name
------	-----	-----	------

**Notes:**FOR ENGINES PRODUCED IN : TREVIGLIO ITALY [Frutteto<sup>3</sup> 100 CLASSIC]

9\_O1011\_00\_0-A-001

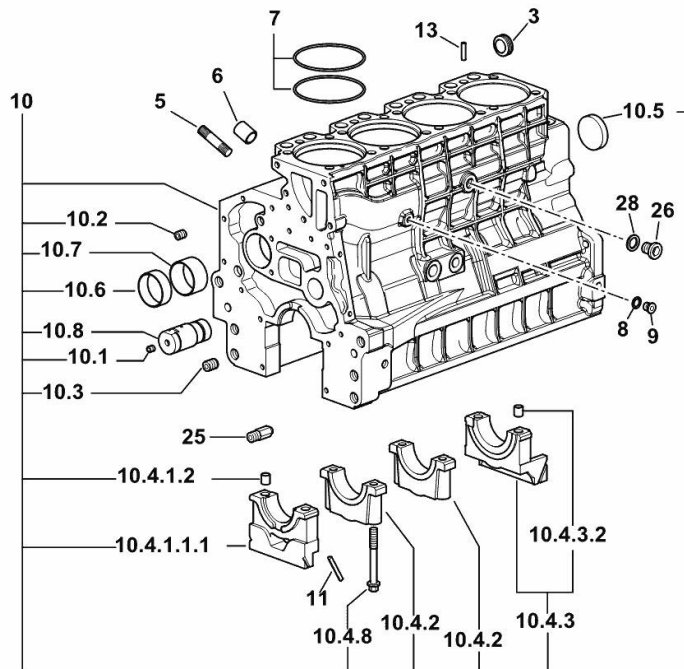
3	2.3199.312.2/20	1	plug m 35x1.5x9.5
5	2.0439.279.7	8	stud bolt m 8 p.1 x 25
6	2.1559.188.2	4	bush 11.4 x 14 x16
7	2.1539.259.0	8	special oil seal 107.62x2.62
8	2.1560.010.0	1	gasket 14.2 x 20
9	2.3199.292.0	1	plug 1/4" gas
10	0.014.9655.4/30	1	crankcase
10.1	2.3130.001.1	14	plug 1/8" gas
10.2	2.3130.002.1	4	plug 1/4" gas
10.3	2.3130.003.1	6	plug 3/8" gas
10.4.1.1.1	0.065.1112.7/10	1	support
10.4.1.2	2.1699.165.0	1	bush 12.3x15x16
10.4.2	0.065.1114.0/10	3	support
10.4.3	0.065.1116.3	1	support
10.4.3.2	2.1699.165.0	1	bush 12.3x15x16
10.4.8	0.065.1117.0	10	screw m 12 x 100
10.5	2.3179.012.0	1	plug 60
10.6	0.065.1140.0	4	special bushing 59X55X20
10.7	0.065.1141.0	1	special bushing 59X55X30
10.8	0.014.1340.0/10	1	pin mm 85
11	0.066.1152.0/10	4	gasket
13	2.1549.154.2	4	bush 4.8x5.8x16
25	0.013.4946.0/10	1	sprayer nozzle
26	2.3120.101.0	1	plug m 18 p.1.5
28	2.1560.014.0	1	washer 18.2 x 24

**CRANKCASE**

Fig.	P/n	QTY	Name
------	-----	-----	------

**Notes:**

FOR ENGINES PRODUCED IN : RANIPET - INDIA [Frutteto<sup>3</sup> 100 CLASSIC]



19\_O1011\_00\_0-A-001

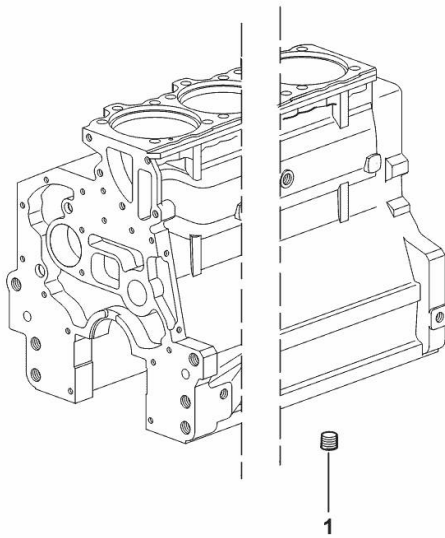
3	2.3199.312.2/20	1	plug m 35x1.5x9.5
5	2.0439.279.7	8	stud bolt m 8 p.1 x 25
6	2.1559.188.2	4	bush 11.4 x 14 x16
7	2.1539.259.0	8	special oil seal 107.62x2.62
8	2.1560.010.0	1	gasket 14.2 x 20
9	2.3199.292.0	1	plug 1/4" gas
10	0.014.9655.4/30	1	crankcase
10.1	2.3130.001.1	14	plug 1/8" gas
10.2	2.3130.002.1	4	plug 1/4" gas
10.3	2.3130.003.1	6	plug 3/8" gas
10.4.1.1.1	0.065.1112.7/10	1	support
10.4.1.2	2.1699.165.0	1	bush 12.3x15x16
10.4.2	0.065.1114.0/10	3	support
10.4.3	0.065.1116.3	1	support
10.4.3.2	2.1699.165.0	1	bush 12.3x15x16
10.4.8	0.065.1117.0	10	screw m 12 x 100
10.5	2.3179.012.0	1	plug 60
10.6	0.065.1140.0	4	special bushing 59X55X20
10.7	0.065.1141.0	1	special bushing 59X55X30
10.8	0.014.1340.0/10	1	pin mm 85
11	0.066.1152.0/10	4	gasket
13	2.1549.154.2	4	bush 4.8x5.8x16
25	0.013.4946.0/10	1	sprayer nozzle
26	2.3120.101.0	1	plug m 18 p.1.5
28	2.1560.014.0	1	washer 18.2 x 24

**LOWER PLUG FOR CYLINDER BLOCKS**

Fig.	P/n	QTY	Name
------	-----	-----	------

**Notes:**FOR ENGINES PRODUCED IN : TREVIGLIO ITALY [Frutteto<sup>3</sup> 100 CLASSIC]

1	2.3130.003.1	2	plug 3/8" gas
---	--------------	---	---------------



9\_33311\_06\_0-A-001

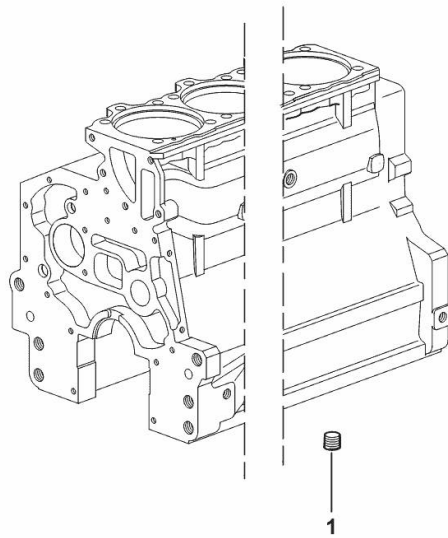
**LOWER PLUG FOR CYLINDER BLOCKS**

Fig.	P/n	QTY	Name
------	-----	-----	------

**Notes:**

FOR ENGINES PRODUCED IN : RANIPET - INDIA [Frutteto<sup>3</sup> 100 CLASSIC]

1	2.3130.003.1	2	plug 3/8" gas
---	--------------	---	---------------



19\_37511\_06\_0-A-001

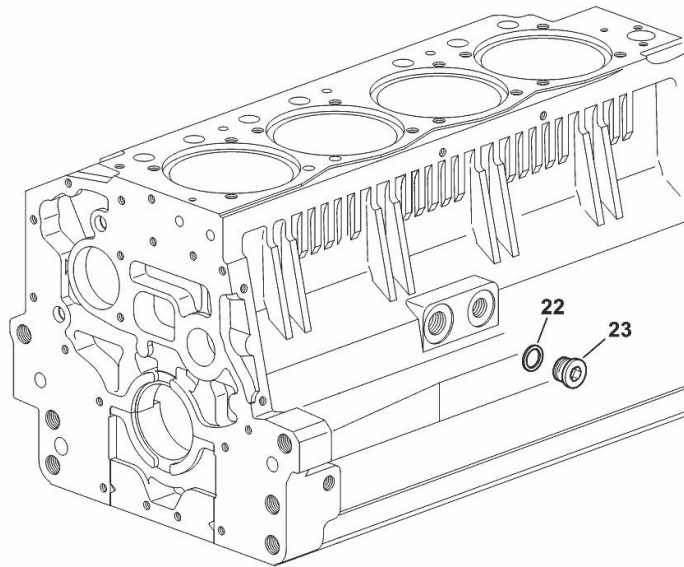


**SIDE PLUG FOR CYLINDER BLOCK**

Fig.	P/n	QTY	Name
------	-----	-----	------

**Notes:**FOR ENGINES PRODUCED IN : TREVIGLIO ITALY [Frutteto<sup>3</sup> 100 CLASSIC]

22	2.1560.017.0	1	gasket 22.2 x 27
23	2.3120.002.4	1	plug m 22 x 1.5



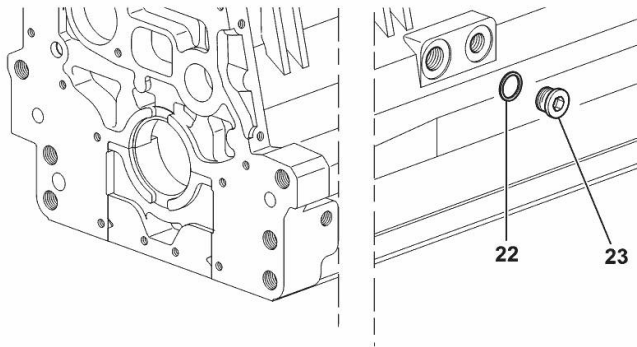
9\_33211\_07\_0-A-001

**SIDE PLUG FOR CYLINDER BLOCK**

Fig.	P/n	QTY	Name
------	-----	-----	------

**Notes:**FOR ENGINES PRODUCED IN : RANIPET - INDIA [Frutteto<sup>3</sup> 100 CLASSIC]

22	2.1560.017.0	1	gasket 22.2 x 27
23	2.3120.002.4	1	plug m 22 x 1.5



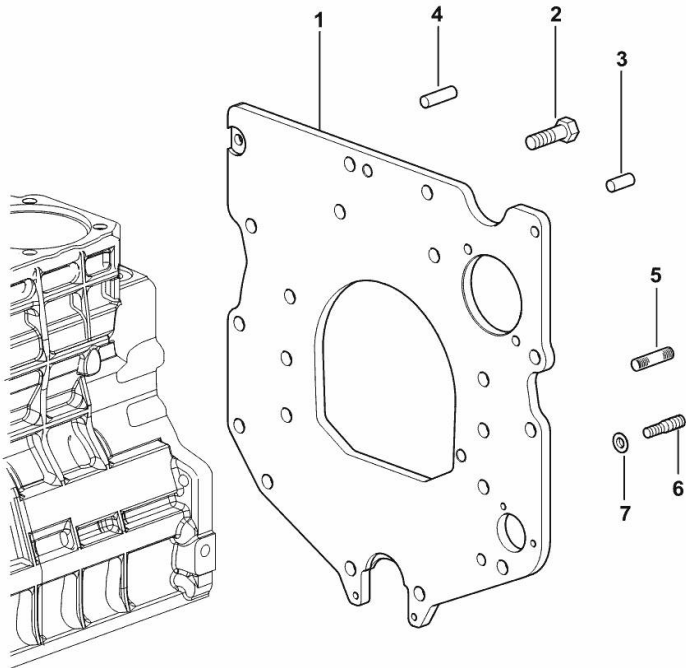
I9\_33211\_07\_0-A-001

**MONOBLOC ENGINE-GEARBOX CONNECTING FLANGE**

Fig.	P/n	QTY	Name
------	-----	-----	------

**Notes:**FOR ENGINES PRODUCED IN : TREVIGLIO ITALY [Frutteto<sup>3</sup> 100 CLASSIC]

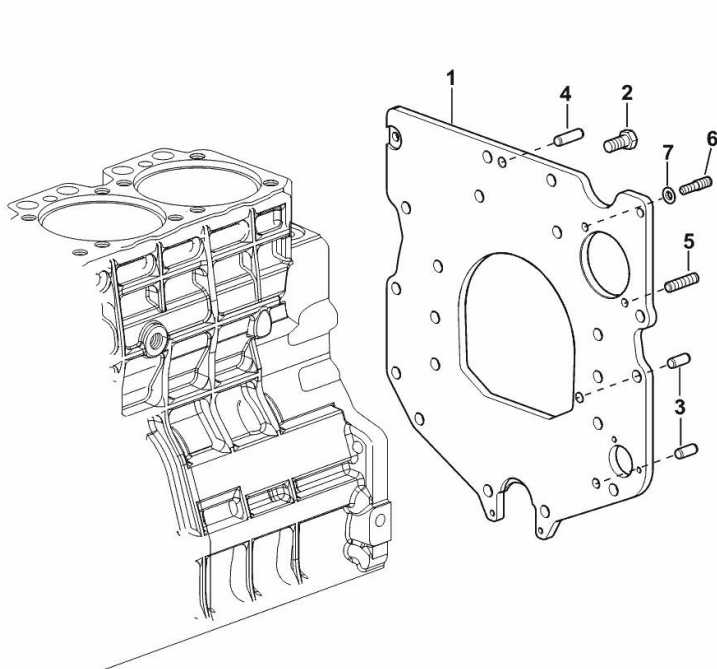
1	0.007.7752.0/30	1	flange
2	2.0112.511.2	8	screw m 14 p.2 x 30
3	2.1651.912.0	2	cylindrical plug 12x28
4	2.1651.917.0	1	cylindrical plug 12x40
5	2.0432.257.7	1	stud bolt m 12 p.1.75 - 1.25 x 30
6	2.0439.250.7	1	stud bolt m 12 / m 10 x 30
7	0.011.9294.0/10	1	bush



9\_37311\_01\_0-A-001

**MONOBLOC ENGINE-GEARBOX CONNECTING FLANGE**

Fig.	P/n	QTY	Name
------	-----	-----	------

**Notes:**FOR ENGINES PRODUCED IN : RANIPET - INDIA [Frutteto<sup>3</sup> 100 CLASSIC]

1	0.007.7752.0/30	1	flange
2	2.0112.511.2	8	screw m 14 p.2 x 30
3	2.1651.912.0	2	cylindrical plug 12x28
4	2.1651.917.0	1	cylindrical plug 12x40
5	2.0432.257.7	1	stud bolt m 12 p.1.75 - 1.25 x 30
6	2.0439.250.7	1	stud bolt m 12 / m 10 x 30
7	0.011.9294.0/10	1	bush

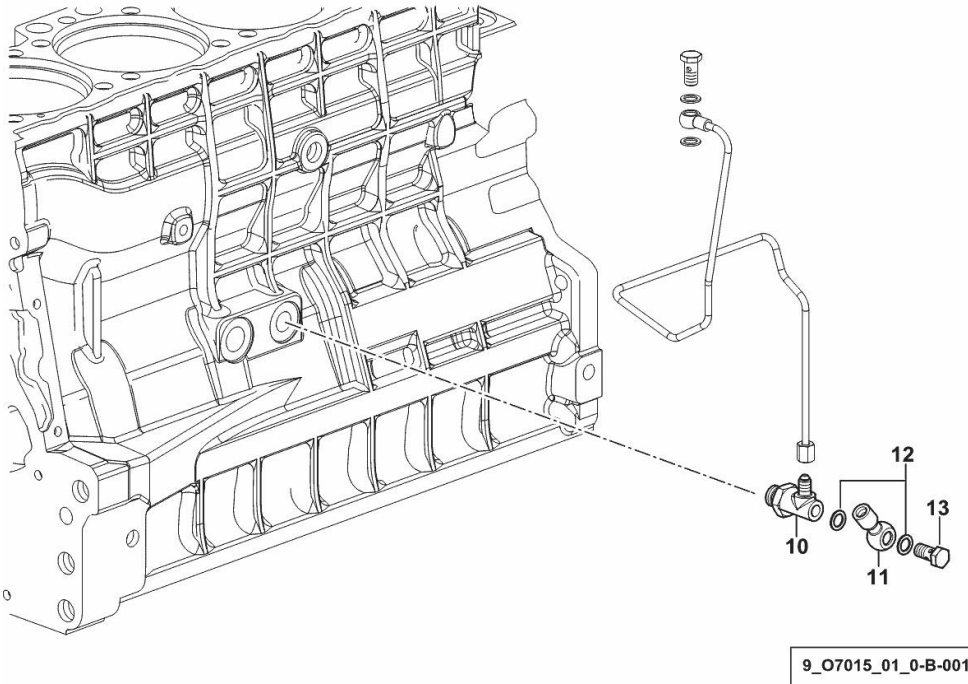
19\_N8911\_01\_0-A-001

**ENGINE OIL AND TURBO PRESSURE SWITCH UNION**

Fig.	P/n	QTY	Name
------	-----	-----	------

**Notes:**FOR ENGINES PRODUCED IN : TREVIGLIO ITALY [Frutteto<sup>3</sup> 100 CLASSIC]

10	2.3339.574.2	1	pipe fitting
11	2.3249.014.2	1	pipe fitting m 12 p.1.5
12	2.1560.008.0	4	gasket 12.2 x 18
13	2.3330.003.1	1	pipe union m 12 p.1.5

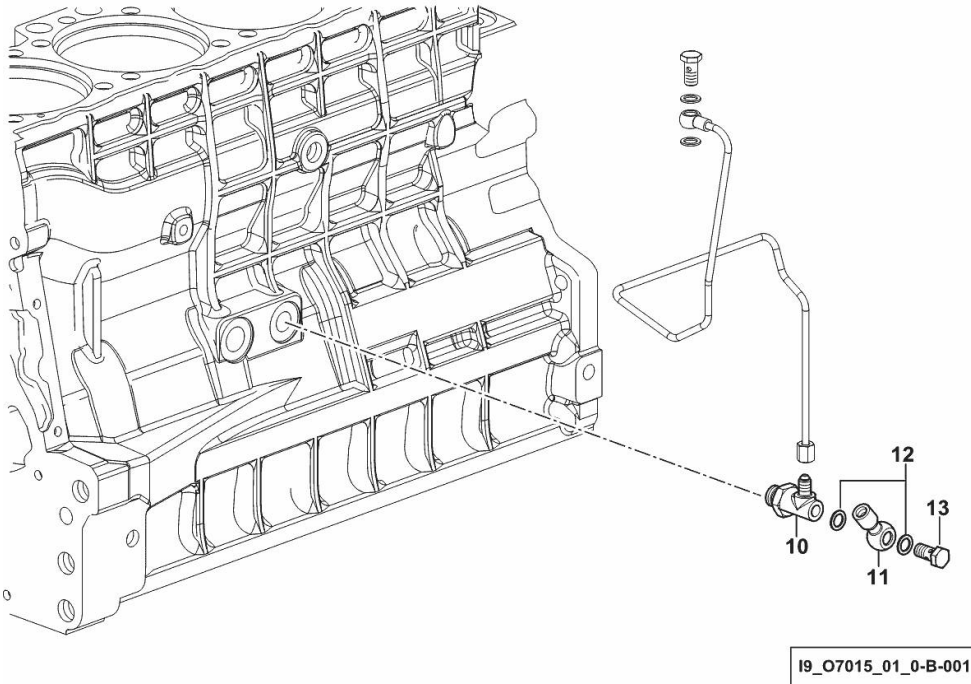


**ENGINE OIL AND TURBO PRESSURE SWITCH UNION**

Fig.	P/n	QTY	Name
------	-----	-----	------

**Notes:**FOR ENGINES PRODUCED IN : RANIPET - INDIA [Frutteto<sup>3</sup> 100 CLASSIC] 1292 <-

10	2.3339.574.2	1	pipe fitting
11	2.3249.014.2	1	pipe fitting m 12 p.1.5
12	2.1560.008.0	4	gasket 12.2 x 18
13	2.3330.003.1	1	pipe union m 12 p.1.5



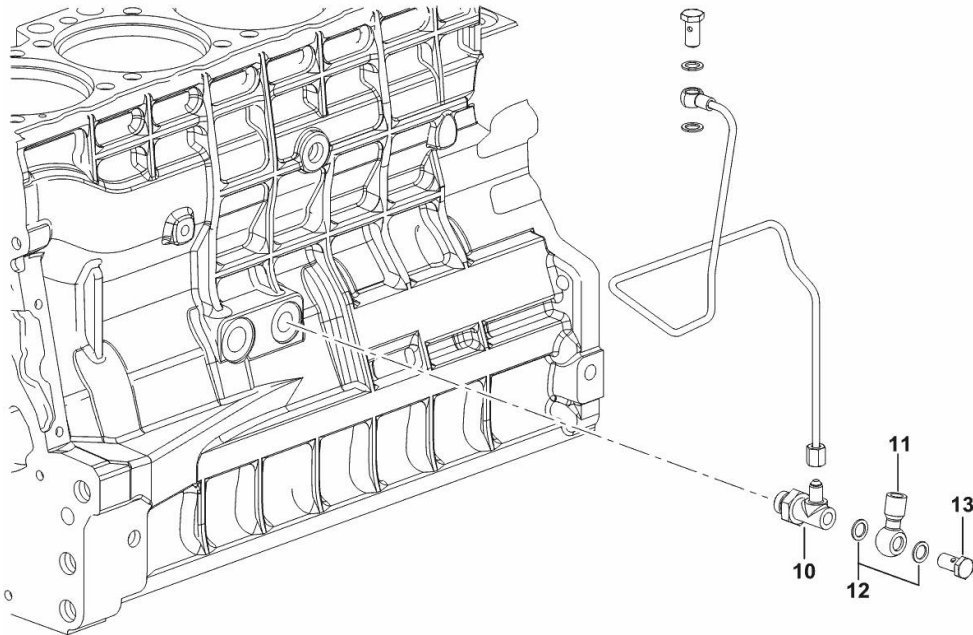
**ENGINE OIL AND TURBO PRESSURE SWITCH UNION**

Fig.	P/n	QTY	Name
------	-----	-----	------

**Notes:**

FOR ENGINES PRODUCED IN : RANIPET - INDIA [Frutteto<sup>3</sup> 100 CLASSIC] -> 1278 FOR ENGINES  
PRODUCED IN : RANIPET - INDIA [Frutteto<sup>3</sup> 100 CLASSIC]

10	2.3339.574.2	1	pipe fitting
11	2.3249.014.2	1	pipe fitting m 12 p.1.5
12	2.1560.008.0	4	gasket 12.2 x 18
13	2.3335.005.2	1	pipe union m 12 p.1.5 x 24



19\_K1415\_01\_0-B-001

Thank you so much for reading.  
Please click the “Buy Now!”  
button below to download the  
complete manual.



After you pay.

You can download the most  
perfect and complete manual in  
the world immediately.

Our support email:

[ebooklibonline@outlook.com](mailto:ebooklibonline@outlook.com)