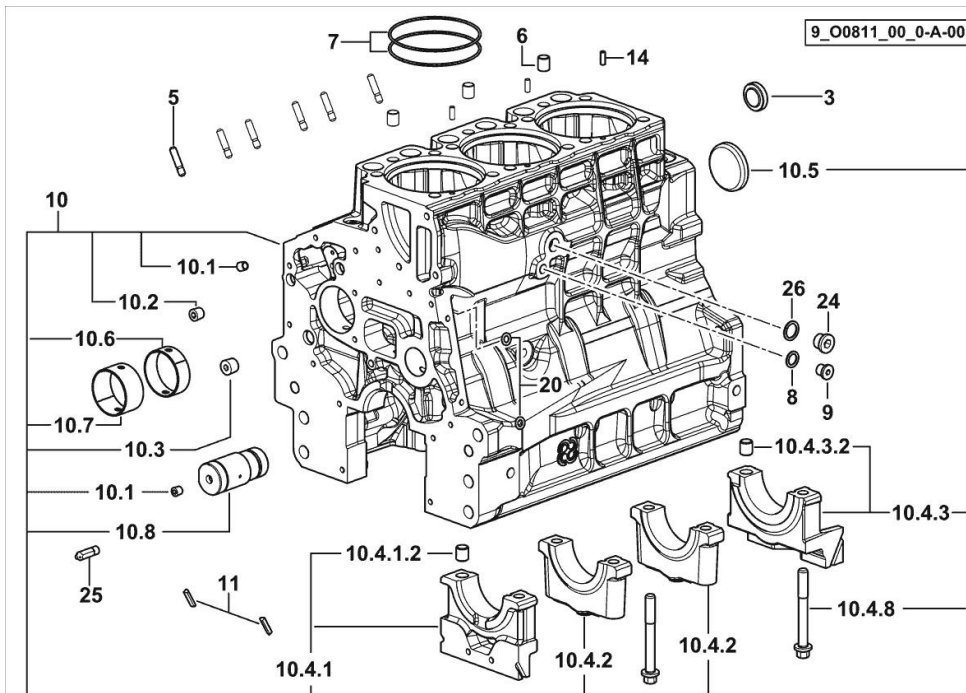


CRANKCASE

| Fig. | P/n | QTY | Name |
|------|-----|-----|------|
|------|-----|-----|------|

Notes:

FOR ENGINES PRODUCED IN : TREVIGLIO ITALY [FRUTTETO 3 80 -> ZKDP3302W0TS01001]



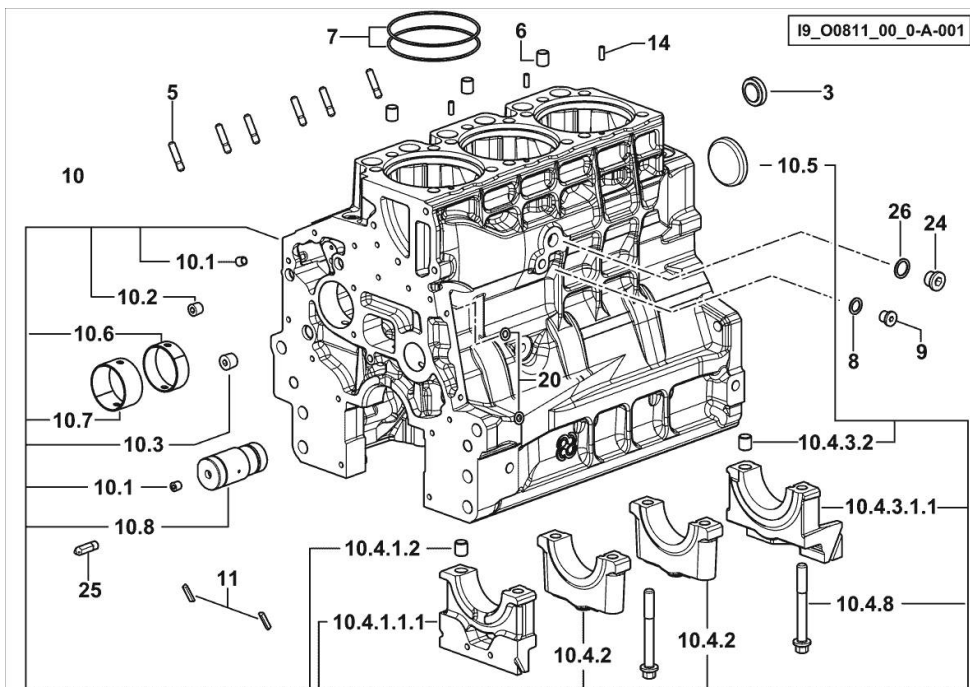
| | | | |
|----------|-----------------|----|------------------------------|
| 3 | 2.3199.312.2/20 | 1 | plug m 35x1.5x9.5 |
| 5 | 2.0439.279.7 | 6 | stud bolt m 8 p.1 x 25 |
| 6 | 2.1559.188.2 | 3 | bush 11.4 x 14 x16 |
| 7 | 2.1539.259.0 | 6 | special oil seal 107.62x2.62 |
| 8 | 2.1560.010.0 | 1 | gasket 14.2 x 20 |
| 9 | 2.3199.292.0 | 1 | plug 1/4" gas |
| 10 | 0.014.9911.4/30 | 1 | crankcase |
| 10.1 | 2.3130.001.1 | 12 | plug 1/8" gas |
| 10.2 | 2.3130.002.1 | 4 | plug 1/4" gas |
| 10.3 | 2.3130.003.1 | 2 | plug 3/8" gas |
| 10.4.1 | 0.065.1112.3 | 1 | support |
| 10.4.1.2 | 2.1699.165.0 | 1 | bush 12.3x15x16 |
| 10.4.2 | 0.065.1114.0/10 | 2 | support |
| 10.4.3 | 0.065.1116.3 | 1 | support |
| 10.4.3.2 | 2.1699.165.0 | 1 | bush 12.3x15x16 |
| 10.4.8 | 0.065.1117.0 | 8 | screw m 12 x 100 |
| 10.5 | 2.3179.012.0 | 1 | plug 60 |
| 10.6 | 0.065.1140.0 | 3 | special bushing 59X55X20 |
| 10.7 | 0.065.1141.0 | 1 | special bushing 59X55X30 |
| 10.8 | 0.014.1340.0/10 | 1 | pin mm 85 |
| 11 | 0.066.1152.0/10 | 4 | gasket |
| 14 | 2.1549.154.2 | 3 | bush 4.8x5.8x16 |
| 20 | 2.1470.004.2 | 4 | lock washer 8 |
| 24 | 2.3120.101.0 | 1 | plug m 18 p.1.5 |
| 25 | 0.013.4946.0/10 | 1 | sprayer nozzle |
| 26 | 2.1560.014.0 | 1 | washer 18.2 x 24 |

CRANKCASE

| Fig. | P/n | QTY | Name |
|------|-----|-----|------|
|------|-----|-----|------|

Notes:

FOR ENGINES PRODUCED IN : RANIPET - INDIA [FRUTTETO 3 80 -> ZKDP3302W0TS01001]



| | | | |
|------------|-----------------|----|------------------------------|
| 3 | 2.3199.312.2/20 | 1 | plug m 35x1.5x9.5 |
| 5 | 2.0439.279.7 | 6 | stud bolt m 8 p.1 x 25 |
| 6 | 2.1559.188.2 | 3 | bush 11.4 x 14 x16 |
| 7 | 2.1539.259.0 | 6 | special oil seal 107.62x2.62 |
| 8 | 2.1560.010.0 | 1 | gasket 14.2 x 20 |
| 9 | 2.3199.292.0 | 1 | plug 1/4" gas |
| 10 | 0.014.9911.4/30 | 1 | crankcase |
| 10.1 | 2.3130.001.1 | 12 | plug 1/8" gas |
| 10.2 | 2.3130.002.1 | 4 | plug 1/4" gas |
| 10.3 | 2.3130.003.1 | 2 | plug 3/8" gas |
| 10.4.1.1 | 0.065.1112.7/10 | 1 | support |
| 10.4.1.2 | 2.1699.165.0 | 1 | bush 12.3x15x16 |
| 10.4.2 | 0.065.1114.0/10 | 2 | support |
| 10.4.3.1.1 | 0.065.1116.7/10 | 1 | support |
| 10.4.3.2 | 2.1699.165.0 | 1 | bush 12.3x15x16 |
| 10.4.8 | 0.065.1117.0 | 8 | screw m 12 x 100 |
| 10.5 | 2.3179.012.0 | 1 | plug 60 |
| 10.6 | 0.065.1140.0 | 3 | special bushing 59X55X20 |
| 10.7 | 0.065.1141.0 | 1 | special bushing 59X55X30 |
| 10.8 | 0.014.1340.0/10 | 1 | pin mm 85 |
| 11 | 0.066.1152.0/10 | 4 | gasket |
| 14 | 2.1549.154.2 | 3 | bush 4.8x5.8x16 |
| 20 | 2.1470.004.2 | 4 | lock washer 8 |
| 24 | 2.3120.101.0 | 1 | plug m 18 p.1.5 |
| 25 | 0.013.4946.0/10 | 1 | sprayer nozzle |
| 26 | 2.1560.014.0 | 1 | washer 18.2 x 24 |

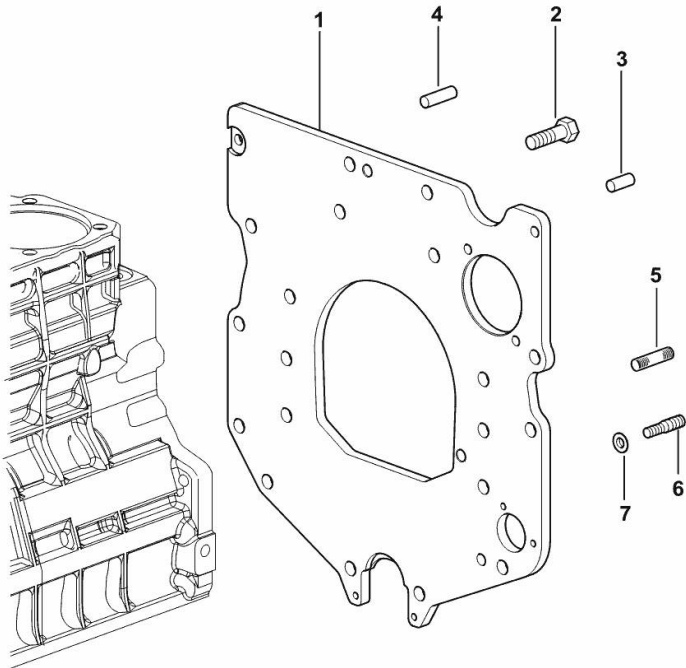
MONOBLOC ENGINE-GEARBOX CONNECTING FLANGE

| Fig. | P/n | QTY | Name |
|------|-----|-----|------|
|------|-----|-----|------|

Notes:

FOR ENGINES PRODUCED IN : TREVIGLIO ITALY [FRUTTETO 3 80 -> ZKDP3302W0TS01001]

| | | | |
|---|-----------------|---|-----------------------------------|
| 1 | 0.007.7752.0/30 | 1 | flange |
| 2 | 2.0112.511.2 | 8 | screw m 14 p.2 x 30 |
| 3 | 2.1651.912.0 | 2 | cylindrical plug 12x28 |
| 4 | 2.1651.917.0 | 1 | cylindrical plug 12x40 |
| 5 | 2.0432.257.7 | 1 | stud bolt m 12 p.1.75 - 1.25 x 30 |
| 6 | 2.0439.250.7 | 1 | stud bolt m 12 / m 10 x 30 |
| 7 | 0.011.9294.0/10 | 1 | bush |



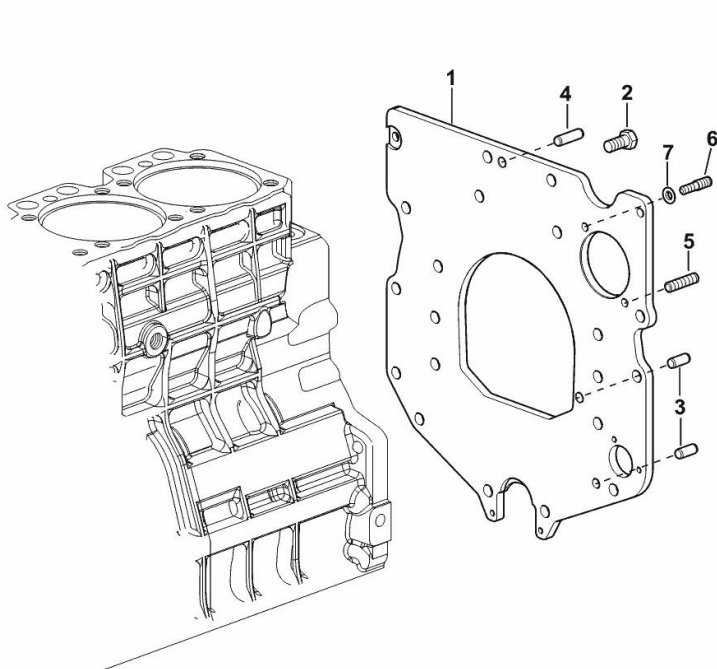
9_37311_01_0-A-001

MONOBLOC ENGINE-GEARBOX CONNECTING FLANGE

| Fig. | P/n | QTY | Name |
|------|-----|-----|------|
|------|-----|-----|------|

Notes:

FOR ENGINES PRODUCED IN : RANIPET - INDIA [FRUTTETO 3 80 -> ZKDP3302W0TS01001]



| | | | |
|---|-----------------|---|-----------------------------------|
| 1 | 0.007.7752.0/30 | 1 | flange |
| 2 | 2.0112.511.2 | 8 | screw m 14 p.2 x 30 |
| 3 | 2.1651.912.0 | 2 | cylindrical plug 12x28 |
| 4 | 2.1651.917.0 | 1 | cylindrical plug 12x40 |
| 5 | 2.0432.257.7 | 1 | stud bolt m 12 p.1.75 - 1.25 x 30 |
| 6 | 2.0439.250.7 | 1 | stud bolt m 12 / m 10 x 30 |
| 7 | 0.011.9294.0/10 | 1 | bush |

19_N8911_01_0-A-001

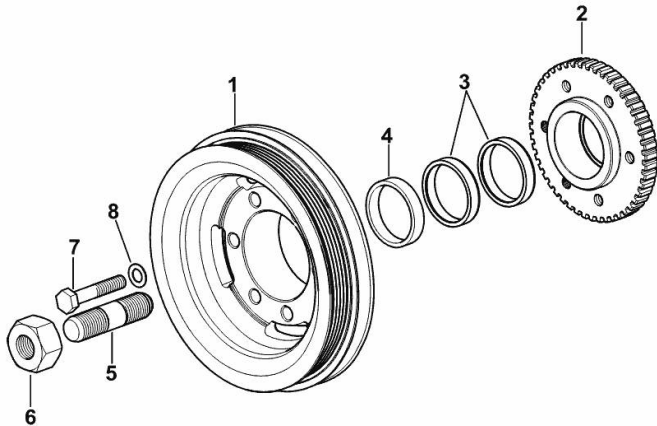
ENGINE CRANKSHAFT PULLEY WITH RING-FEEDER RINGS

| Fig. | P/n | QTY | Name |
|------|-----|-----|------|
|------|-----|-----|------|

Notes:

FOR ENGINES PRODUCED IN : TREVIGLIO ITALY [FRUTTETO 3 80 -> ZKDP3302W0TS01001]

| | | | |
|---|-----------------|---|-------------------------|
| 1 | 0.015.6055.0 | 1 | pulley |
| 2 | 0.011.3515.0/20 | 1 | hub Z = 48 |
| 3 | 0.065.1256.0 | 2 | ring 45x52 |
| 4 | 2.1579.865.0 | 1 | spacer 45.2x51.8x10 |
| 5 | 2.0439.195.7 | 1 | stud bolt m 20 p.1.5x80 |
| 6 | 2.1019.094.7 | 1 | nut m 20 p.1.5 |
| 7 | 2.0112.320.2 | 6 | screw m 10 p.1.5 x 55 |
| 8 | 2.1470.006.2 | 6 | lock washer 10 |



9_O6312_03_0-A-001

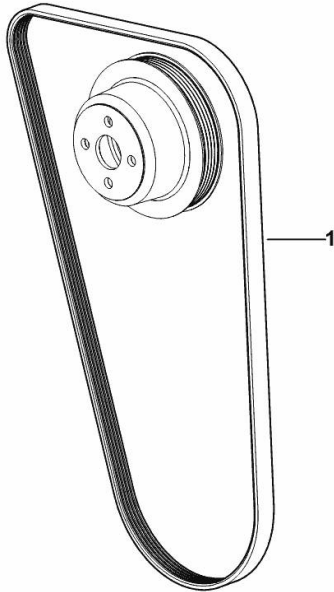
COOLANT PUMP AND ALTERNATOR DRIVEBELT

| Fig. | P/n | QTY | Name |
|------|-----|-----|------|
|------|-----|-----|------|

Notes:

- FOR TYPES WITHOUT CONDITIONING [FRUTTETO 3 80 -> ZKDP3302W0TS01001] 1012 <-

| | | | |
|---|--------------|---|----------------------|
| 1 | 2.4119.187.0 | 1 | belt PV-K5 (mm 1230) |
|---|--------------|---|----------------------|



9_O6817_09_0-A-001

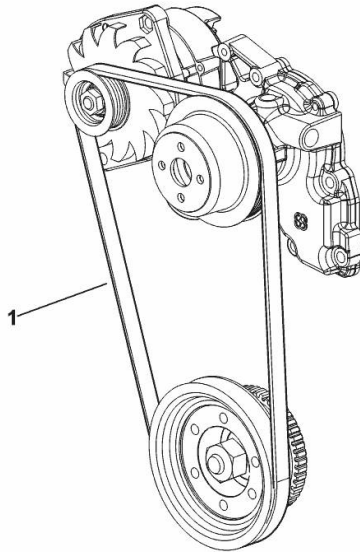
COOLANT PUMP AND ALTERNATOR DRIVEBELT

| Fig. | P/n | QTY | Name |
|------|-----|-----|------|
|------|-----|-----|------|

Notes:

- FOR TYPES WITHOUT CONDITIONING [FRUTTETO 3 80 -> ZKDP3302W0TS01001] -> 1014 - 1017 <-

| | | | |
|---|--------------|---|-----------------------------|
| 1 | 2.4119.195.0 | 1 | belt PV-K5 (mm 17.4x1250) |
|---|--------------|---|-----------------------------|



9_N2517_09_0-A-001

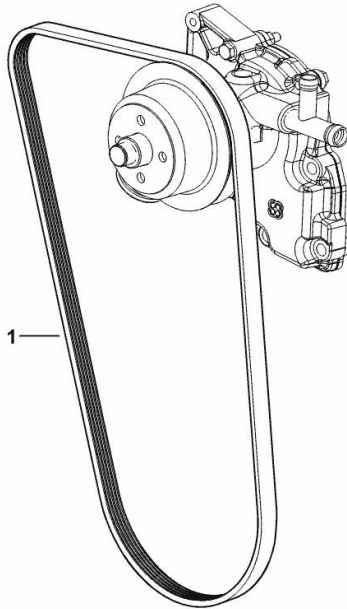
COOLANT PUMP AND ALTERNATOR DRIVEBELT

| Fig. | P/n | QTY | Name |
|------|-----|-----|------|
|------|-----|-----|------|

Notes:

- FOR TYPES WITHOUT CONDITIONING [FRUTTETO 3 80 -> ZKDP3302W0TS01001] -> 1020 - 10005 <-

| | | | |
|---|--------------|---|-------------------------|
| 1 | 2.4119.188.0 | 1 | belt PV-K5 17.4x1275 mm |
|---|--------------|---|-------------------------|



9_N1817_09_0-A-001

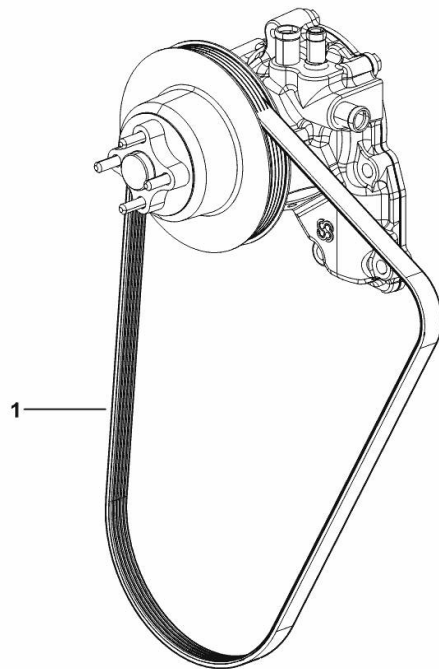
COOLANT PUMP AND ALTERNATOR DRIVEBELT

| Fig. | P/n | QTY | Name |
|------|-----|-----|------|
|------|-----|-----|------|

Notes:

- FOR TYPES WITHOUT CONDITIONING [FRUTTETO 3 80 -> ZKDP3302W0TS01001] -> 10011

| | | | |
|---|--------------|---|-------------------------|
| 1 | 2.4119.206.0 | 1 | belt PV-K5 17.4x1270 mm |
|---|--------------|---|-------------------------|



9_K7417_08_0-A-001

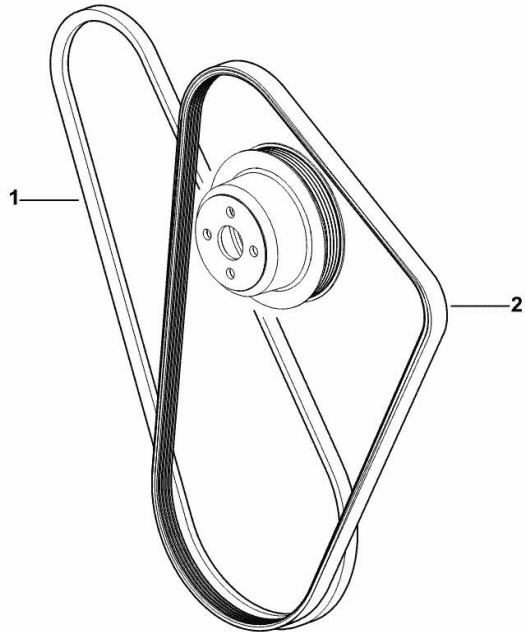
COOLANT PUMP AND ALTERNATOR DRIVEBELT

| Fig. | P/n | QTY | Name |
|------|-----|-----|------|
|------|-----|-----|------|

Notes:

- FOR MODELS WITH COMPRESSOR [FRUTTETO 3 80 -> ZKDP3302W0TS01001] 1011 <-

| | | | |
|---|--------------|---|-----------------------------|
| 1 | 2.4119.143.0 | 1 | belt AV 12.7x1225 mm |
| 2 | 2.4119.214.0 | 1 | belt PV-K5 (mm 17.4x1245) |



9_O6317_09_0-A-001

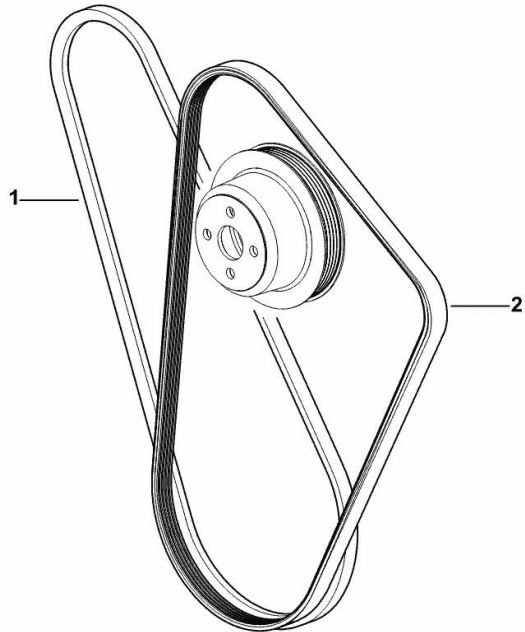
COOLANT PUMP AND ALTERNATOR DRIVEBELT

| Fig. | P/n | QTY | Name |
|------|-----|-----|------|
|------|-----|-----|------|

Notes:

- FOR MODELS WITH COMPRESSOR [FRUTTETO 3 80 -> ZKDP3302W0TS01001] -> 1015 - FOR MODELS WITH COMPRESSOR [FRUTTETO 3 80 -> ZKDP3302W0TS01001]

| | | | |
|---|--------------|---|-------------------------|
| 1 | 2.4119.143.0 | 1 | belt AV 12.7x1225 mm |
| 2 | 2.4119.206.0 | 1 | belt PV-K5 17.4x1270 mm |



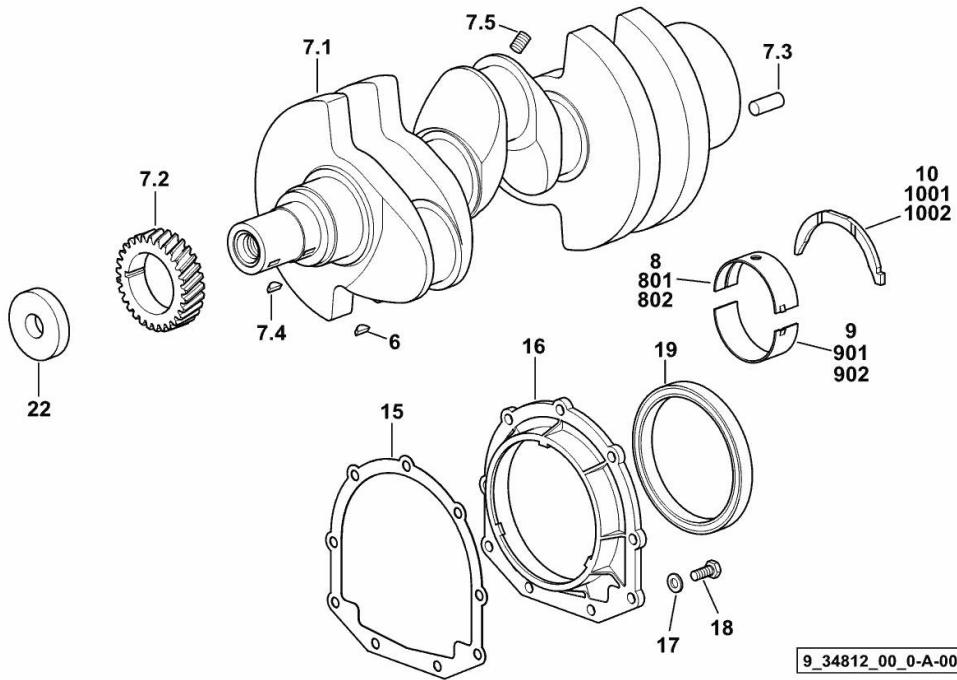
9_O6617_09_0-A-001

CRANKSHAFT

| Fig. | P/n | QTY | Name |
|------|-----|-----|------|
|------|-----|-----|------|

Notes:

FOR ENGINES PRODUCED IN : TREVIGLIO ITALY [FRUTTETO 3 80 -> ZKDP3302W0TS01001] 10021 <-



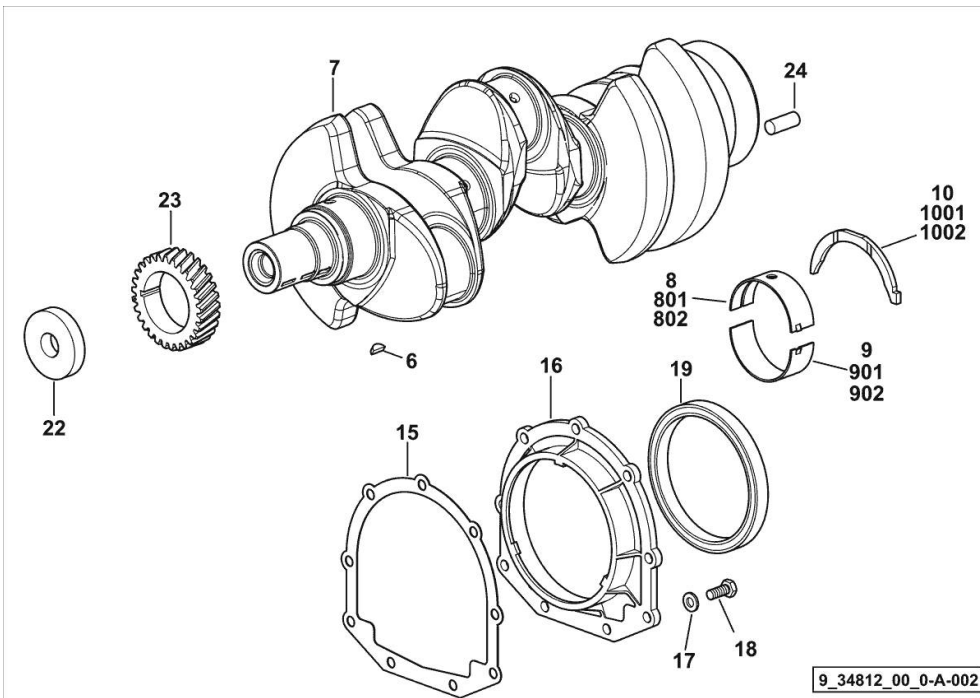
| | | | |
|------|-----------------|---|-----------------------------|
| 6 | 2.1720.006.0 | 1 | key 4x6.5 |
| 7.1 | 0.007.1554.0/20 | 1 | crankshaft |
| 7.2 | 0.065.1323.0/30 | 1 | gear Z = 29 |
| 7.3 | 2.1651.915.0 | 1 | pin 12x35 |
| 7.4 | 2.1720.006.0 | 1 | key 4x6.5 |
| 7.5 | 2.3130.001.1 | 3 | plug 1/8" gas |
| 8 | 0.065.1215.0/10 | 4 | main half bushing STANDARD |
| 9 | 0.065.1216.0/10 | 4 | main half bushing STANDARD |
| 10 | 0.065.1218.0 | 4 | shim STANDARD |
| 15 | 0.065.1254.0/20 | 1 | gasket |
| 16 | 0.007.1711.0/10 | 1 | cover |
| 17 | 2.1475.002.2 | 9 | conical washer 8 |
| 18 | 2.0112.207.2 | 9 | screw m 8 p 1.25 x 20 |
| 19 | 2.1529.073.0 | 1 | special oil seal 110x130x13 |
| 22 | 2.1599.524.7 | 1 | washer 21x60x12 |
| 801 | 0.065.1215.7 | | main half bushing - mm 0.25 |
| 802 | 0.065.1215.8 | | main half bushing - mm 0.50 |
| 901 | 0.065.1216.7 | | main half bushing - mm 0.25 |
| 902 | 0.065.1216.8 | | main half bushing - mm 0.50 |
| 1001 | 0.065.1218.7 | | shim + mm 0.10 |
| 1002 | 0.065.1218.8 | | shim + mm 0.15 |

CRANKSHAFT

| Fig. | P/n | QTY | Name |
|------|-----|-----|------|
|------|-----|-----|------|

Notes:

FOR ENGINES PRODUCED IN : TREVIGLIO ITALY [FRUTTETO 3 80 -> ZKDP3302W0TS01001] -> 10022



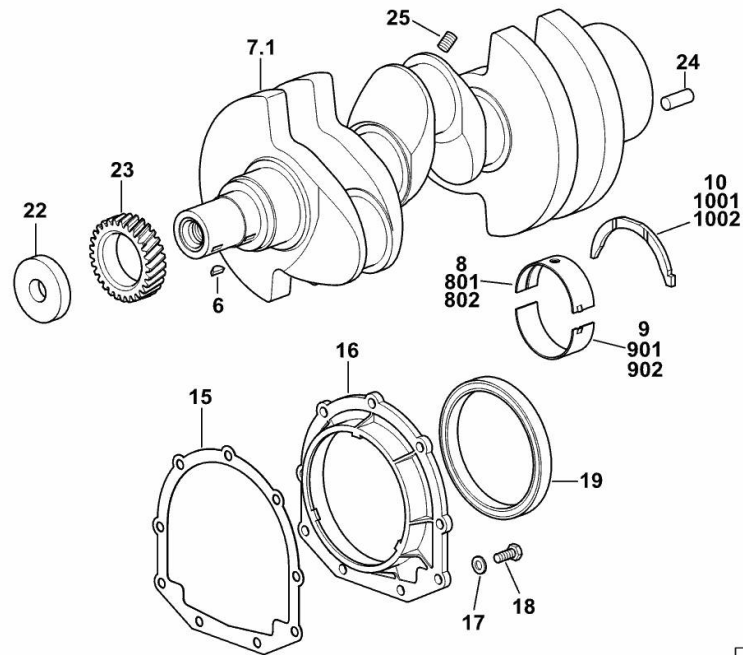
| | | | |
|------|-----------------|---|-----------------------------|
| 6 | 2.1720.006.0 | 1 | key 4x6.5 |
| 7 | 0.019.2255.0/20 | 1 | crankshaft |
| 8 | 0.019.5455.0 | 4 | main half bushing STANDARD |
| 9 | 0.019.5456.0 | 4 | main half bushing STANDARD |
| 10 | 0.065.1218.0 | 4 | shim STANDARD |
| 15 | 0.065.1254.0/20 | 1 | gasket |
| 16 | 0.007.1711.0/10 | 1 | cover |
| 17 | 2.1475.002.2 | 9 | conical washer 8 |
| 18 | 2.0112.207.2 | 9 | screw m 8 p 1.25 x 20 |
| 19 | 2.1529.073.0 | 1 | special oil seal 110x130x13 |
| 22 | 2.1599.524.7 | 1 | washer 21x60x12 |
| 23 | 0.065.1323.0/30 | 1 | gear Z = 29 |
| 24 | 2.1651.915.0 | 1 | pin 12x35 |
| 801 | 0.065.1215.7 | - | main half bushing - mm 0.25 |
| 802 | 0.065.1215.8 | - | main half bushing - mm 0.50 |
| 901 | 0.065.1216.7 | - | main half bushing - mm 0.25 |
| 902 | 0.065.1216.8 | - | main half bushing - mm 0.50 |
| 1001 | 0.065.1218.7 | - | shim + mm 0.10 |
| 1002 | 0.065.1218.8 | - | shim + mm 0.15 |

CRANKSHAFT

| Fig. | P/n | QTY | Name |
|------|-----|-----|------|
|------|-----|-----|------|

Notes:

FOR ENGINES PRODUCED IN : RANIPET - INDIA [FRUTTETO 3 80 -> ZKDP3302W0TS01001] 10012 <-



| | | | |
|------|-----------------|---|-----------------------------|
| 6 | 2.1720.006.0 | 1 | key 4x6.5 |
| 7.1 | 0.007.1554.0/20 | 1 | crankshaft |
| 8 | 0.065.1215.0/10 | 4 | main half bushing STANDARD |
| 9 | 0.065.1216.0/10 | 4 | main half bushing STANDARD |
| 10 | 0.065.1218.0 | 4 | shim STANDARD |
| 15 | 0.065.1254.0/20 | 1 | gasket |
| 16 | 0.007.1711.0/10 | 1 | cover |
| 17 | 2.1475.002.2 | 9 | conical washer 8 |
| 18 | 2.0112.207.2 | 9 | screw m 8 p 1.25 x 20 |
| 19 | 2.1529.073.0 | 1 | special oil seal 110x130x13 |
| 22 | 2.1599.524.7 | 1 | washer 21x60x12 |
| 23 | 0.065.1323.0/30 | 1 | gear Z = 29 |
| 24 | 2.1651.915.0 | 1 | pin 12x35 |
| 25 | 2.3130.001.1 | 3 | plug 1/8" gas |
| 801 | 0.065.1215.7 | | main half bushing - mm 0.25 |
| 802 | 0.065.1215.8 | | main half bushing - mm 0.50 |
| 901 | 0.065.1216.7 | | main half bushing - mm 0.25 |
| 902 | 0.065.1216.8 | | main half bushing - mm 0.50 |
| 1001 | 0.065.1218.7 | | shim + mm 0.10 |
| 1002 | 0.065.1218.8 | | shim + mm 0.15 |

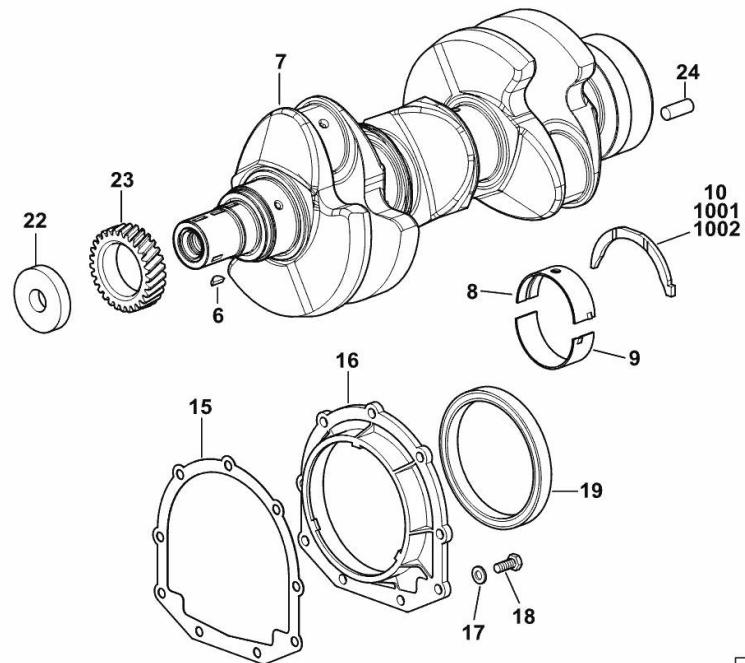
19_O8312_00_0-A-001

CRANKSHAFT

| Fig. | P/n | QTY | Name |
|------|-----|-----|------|
|------|-----|-----|------|

Notes:

FOR ENGINES PRODUCED IN : RANIPET - INDIA [FRUTTETO 3 80 -> ZKDP3302W0TS01001] -> 10013



| | | | |
|------|-----------------|---|-----------------------------|
| 6 | 2.1720.006.0 | 1 | key 4x6.5 |
| 7 | 0.019.2255.0/30 | 1 | crankshaft |
| 8 | 0.019.5455.0 | 4 | main half bushing STANDARD |
| 9 | 0.019.5456.0 | 4 | main half bushing STANDARD |
| 10 | 0.065.1218.0 | 4 | shim STANDARD |
| 15 | 0.065.1254.0/20 | 1 | gasket |
| 16 | 0.007.1711.0/10 | 1 | cover |
| 17 | 2.1475.002.2 | 9 | conical washer 8 |
| 18 | 2.0112.207.2 | 9 | screw m 8 p 1.25 x 20 |
| 19 | 2.1529.073.0 | 1 | special oil seal 110x130x13 |
| 22 | 2.1599.524.7 | 1 | washer 21x60x12 |
| 23 | 0.065.1323.0/30 | 1 | gear Z = 29 |
| 24 | 2.1651.915.0 | 1 | pin 12x35 |
| 1001 | 0.065.1218.7 | | shim + mm 0.10 |
| 1002 | 0.065.1218.8 | | shim + mm 0.15 |

19_O8312_00_0-A-002

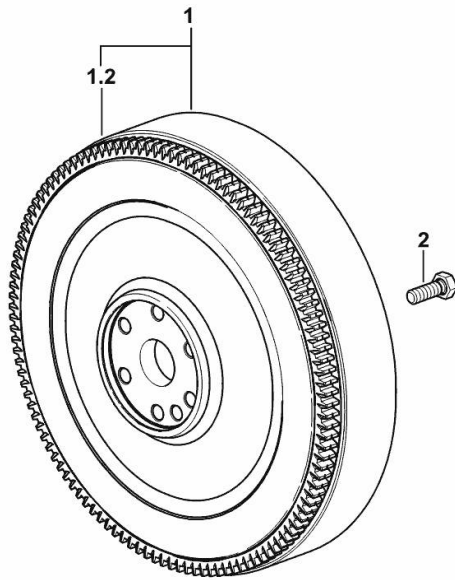
ENGINE FLYWHEEL

| Fig. | P/n | QTY | Name |
|------|-----|-----|------|
|------|-----|-----|------|

Notes:

[FRUTTETO 3 80 -> ZKDP3302W0TS01001]

| | | | |
|-----|--------------|---|------------------------|
| 1 | 0.014.2774.3 | 1 | flywheel |
| 1.2 | 0.069.1242.0 | 1 | crown wheel Z = 121 |
| 2 | 2.0139.036.2 | 6 | screw m 12 p.1.25 x 35 |



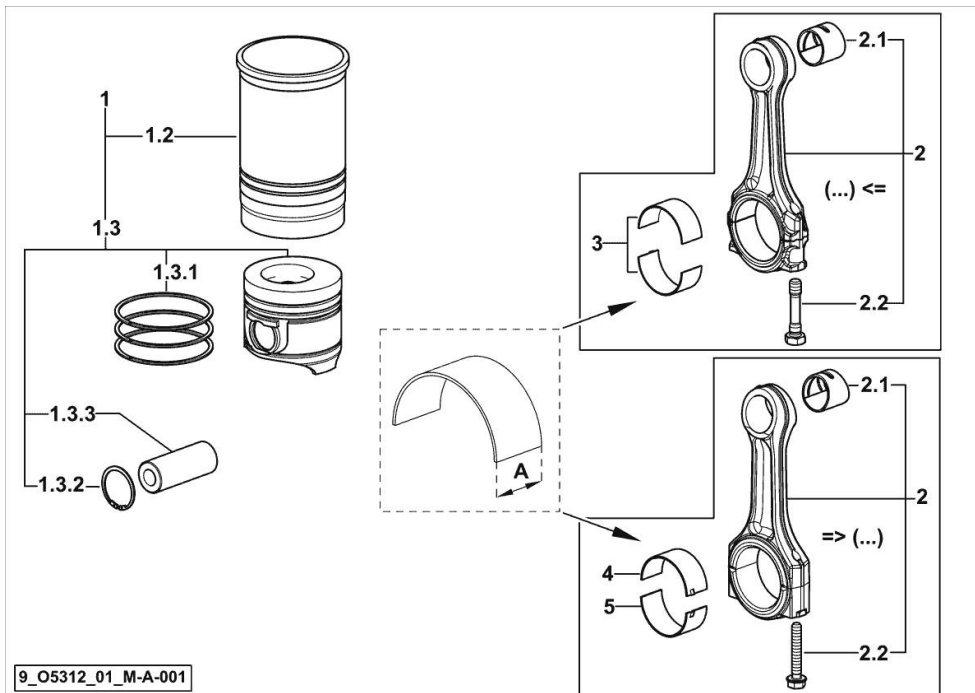
9_N1112_02_0-A-001

CYLINDER - PISTON - CONNECTING ROD

| Fig. | P/n | QTY | Name |
|------|-----|-----|------|
|------|-----|-----|------|

Notes:

FOR ENGINES PRODUCED IN : TREVIGLIO ITALY [FRUTTETO 3 80 -> ZKDP3302W0TS01001]



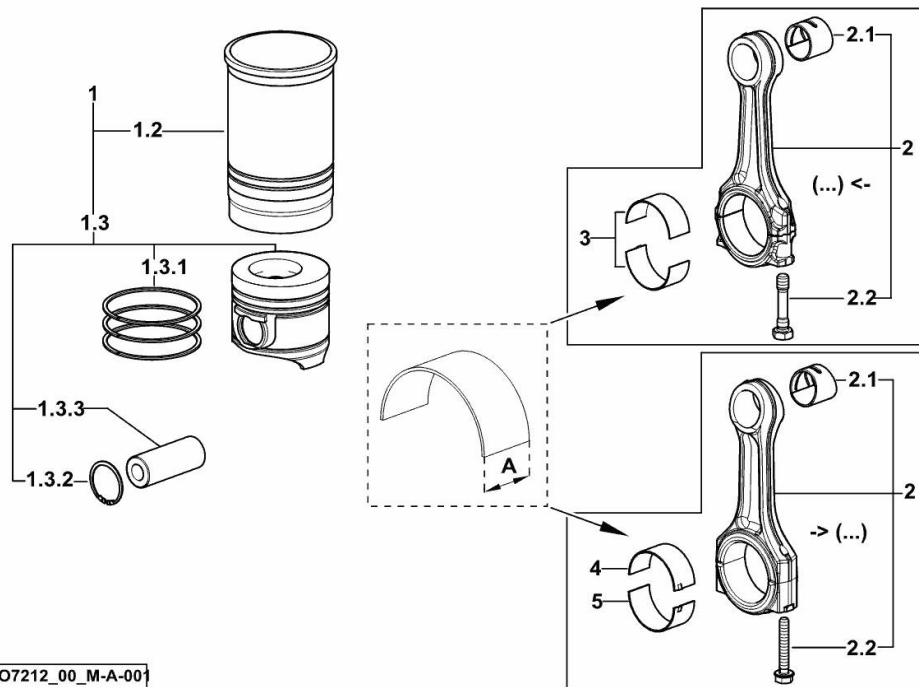
| | | | |
|-------|-----------------|---|--|
| 1 | 0.055.0065.A | 3 | cyl. piston assembly "A" - CLASS A |
| 1 | 0.055.0065.B | 3 | cyl. piston assembly "B" - CLASS B |
| 1.2 | 0.A12.2675.0 | 1 | engine cylinder "A" - CLASS A |
| 1.2 | 0.B12.2675.0 | 1 | engine cylinder "B" - CLASS B |
| 1.3 | 0.055.0060.A | 1 | complete piston "A" - CLASS A |
| 1.3 | 0.055.0060.B | 1 | complete piston "B" - CLASS B |
| 1.3.1 | 0.338.0052.6/20 | 1 | piston ring set |
| 1.3.2 | 2.1411.014.1 | 2 | circlip 35 |
| 1.3.3 | 0.078.1236.0 | 1 | piston pin Ø 18 / Ø 35 / L = mm 86 |
| 2 | 0.014.5175.3 | 3 | engine connecting rod (...) <= |
| 2 | 0.019.2226.3/10 | 3 | engine connecting rod => (...) |
| 2.1 | 2.1559.255.0 | 1 | special bushing 34.60x39.130x34.65 (...) <= |
| 2.1 | 2.1559.532.0 | 1 | special bushing 34.60x39.130x36.65 => (...) |
| 2.2 | 2.0399.213.0 | 2 | screw m 12 p.1.25x61.5 (...) <= |
| 2.2 | 2.0399.365.0 | 2 | screw m 10 p.1.25x61.5 => (...) |
| 3 | 0.065.1225.0 | 6 | con.rod half bushing STANDARD - A = 28.75 -> 29.00 (...) <= |
| 3 | 0.065.1225.7 | 6 | con.rod half bushing - mm 0.25 (...) <= |
| 3 | 0.065.1225.8 | 6 | con.rod half bushing - mm 0.50 (...) <= |
| 4 | 0.019.5453.0 | 3 | con.rod half bushing STANDARD - A = 29.85 -> 30.10 => (...) |
| 5 | 0.019.5454.0 | 3 | con.rod half bushing STANDARD - A = 29.85 -> 30.10 => (...) |

CYLINDER - PISTON - CONNECTING ROD

| Fig. | P/n | QTY | Name |
|------|-----|-----|------|
|------|-----|-----|------|

Notes:

FOR ENGINES PRODUCED IN : RANIPET - INDIA [FRUTTETO 3 80 -> ZKDP3302W0TS01001]



I9_O7212_00_M-A-001

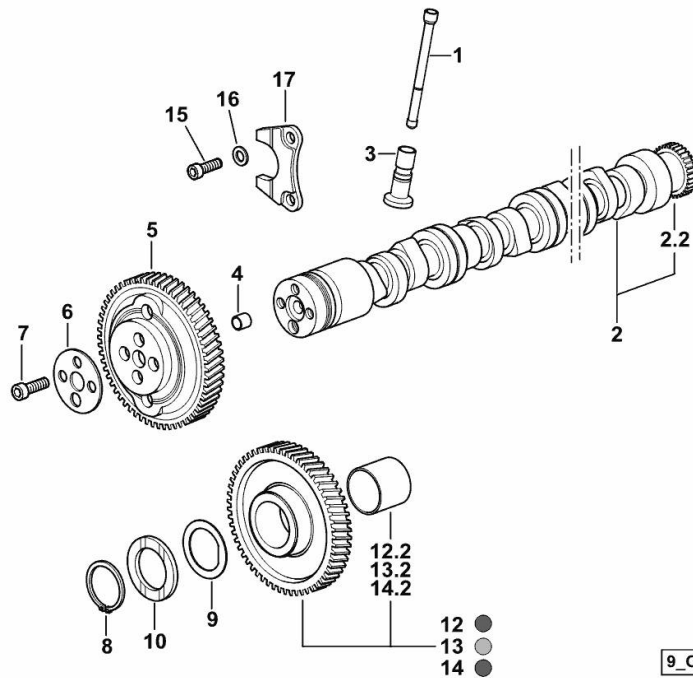
| | | | |
|-------|-----------------|---|--|
| 1 | 0.055.0065.A | 3 | cyl. piston assembly "A" - CLASS A |
| 1 | 0.055.0065.B | 3 | cyl. piston assembly "B" - CLASS B |
| 1.2 | 0.A12.2675.0 | 1 | engine cylinder "A" - CLASS A |
| 1.2 | 0.B12.2675.0 | 1 | engine cylinder "B" - CLASS B |
| 1.3 | 0.055.0060.A | 1 | complete piston "A" - CLASS A |
| 1.3 | 0.055.0060.B | 1 | complete piston "B" - CLASS B |
| 1.3.1 | 0.338.0052.6/20 | 1 | piston ring set |
| 1.3.2 | 2.1411.014.1 | 2 | circlip 35 |
| 1.3.3 | 0.078.1236.0 | 1 | piston pin Ø 18 / Ø 35 / L = mm 86 |
| 2 | 0.014.5175.3 | 3 | engine connecting rod (...) <= |
| 2 | 0.019.2226.3/10 | 3 | engine connecting rod => (...) |
| 2.1 | 2.1559.255.0 | 1 | special bushing 34.60x39.130x34.65 (...) <= |
| 2.1 | 2.1559.532.0 | 1 | special bushing 34.60x39.130x36.65 => (...) |
| 2.2 | 2.0399.213.0 | 2 | screw m 12 p.1.25x61.5 (...) <= |
| 2.2 | 2.0399.365.0 | 2 | screw m 10 p.1.25x61.5 => (...) |
| 3 | 0.065.1225.0 | 6 | con.rod half bushing STANDARD - A = 28.75 -> 29.00 (...) <= |
| 3 | 0.065.1225.7 | 6 | con.rod half bushing - mm 0.25 (...) <= |
| 3 | 0.065.1225.8 | 6 | con.rod half bushing - mm 0.50 (...) <= |
| 4 | 0.019.5453.0 | 3 | con.rod half bushing STANDARD - A = 29.85 -> 30.10 => (...) |
| 5 | 0.019.5454.0 | 3 | con.rod half bushing STANDARD - A = 29.85 -> 30.10 => (...) |

CAMSHAFT

| Fig. | P/n | QTY | Name |
|------|-----|-----|------|
|------|-----|-----|------|

Notes:

FOR ENGINES PRODUCED IN : TREVIGLIO ITALY [FRUTTETO 3 80 -> ZKDP3302W0TS01001]



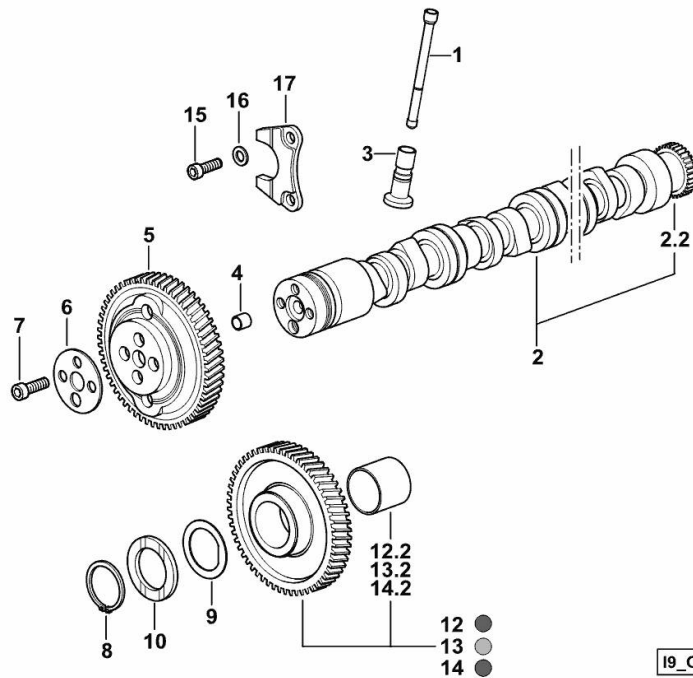
| | | | |
|------|-----------------|---|------------------------------------|
| 1 | 0.065.1331.2 | 6 | rod |
| 2 | 0.014.4011.3 | 1 | camshaft |
| 2.2 | 0.065.1324.0/10 | 1 | gear Z = 32 |
| 3 | 0.065.1330.0 | 6 | tappets |
| 4 | 2.1559.398.0 | 1 | bushing 10.5x13x12 |
| 5 | 0.013.5017.0 | 1 | gear z=58 |
| 6 | 0.065.1350.0 | 1 | small disc |
| 7 | 2.0132.207.2 | 4 | screw m 10 p.1 x 25 |
| 8 | 2.1410.016.1 | 1 | circlip 40 |
| 9 | 0.065.1352.0 | 1 | shim |
| 10 | 0.018.2233.0 | 2 | shoulder ring |
| 12 | 0.007.1177.3/20 | 1 | gear z = 57 |
| | | | - WITH RED IDENTIFICATION STAMP |
| 12.2 | 2.1559.185.0/10 | 1 | bushing |
| 13 | 0.007.1178.3/20 | 1 | gear z = 57 |
| | | | - WITH YELLOW IDENTIFICATION STAMP |
| 13.2 | 2.1559.185.0/10 | 1 | bushing |
| 14 | 0.007.1179.3/20 | 1 | gear z = 57 |
| | | | - WITH GREEN IDENTIFICATION STAMP |
| 14.2 | 2.1559.185.0/10 | 1 | bushing |
| 15 | 2.0312.205.2 | 2 | screw |
| 16 | 2.1480.014.1 | 2 | washer 8 |
| 17 | 0.065.1353.0 | 1 | small plate |

CAMSHAFT

| Fig. | P/n | QTY | Name |
|------|-----|-----|------|
|------|-----|-----|------|

Notes:

FOR ENGINES PRODUCED IN : RANIPET - INDIA [FRUTTETO 3 80 -> ZKDP3302W0TS01001]



I9_O5313_00_0-A-001

| | | | |
|------|-----------------|---|------------------------------------|
| 1 | 0.065.1331.2 | 6 | rod |
| 2 | 0.014.4011.3 | 1 | camshaft |
| 2.2 | 0.065.1324.0/10 | 1 | gear Z = 32 |
| 3 | 0.065.1330.0 | 6 | tappets |
| 4 | 2.1559.398.0 | 1 | bushing 10.5x13x12 |
| 5 | 0.013.5017.0 | 1 | gear z=58 |
| 6 | 0.065.1350.0 | 1 | small disc |
| 7 | 2.0132.207.2 | 4 | screw m 10 p.1 x 25 |
| 8 | 2.1410.016.1 | 1 | circlip 40 |
| 9 | 0.065.1352.0 | 1 | shim |
| 10 | 0.018.2233.0 | 2 | shoulder ring |
| 12 | 0.007.1177.3/20 | 1 | gear z = 57 |
| | | | - WITH RED IDENTIFICATION STAMP |
| 12.2 | 2.1559.185.0/10 | 1 | bushing |
| 13 | 0.007.1178.3/20 | 1 | gear z = 57 |
| | | | - WITH YELLOW IDENTIFICATION STAMP |
| 13.2 | 2.1559.185.0/10 | 1 | bushing |
| 14 | 0.007.1179.3/20 | 1 | gear z = 57 |
| | | | - WITH GREEN IDENTIFICATION STAMP |
| 14.2 | 2.1559.185.0/10 | 1 | bushing |
| 15 | 2.0312.205.2 | 2 | screw |
| 16 | 2.1480.014.1 | 2 | washer 8 |
| 17 | 0.065.1353.0 | 1 | small plate |

Thank you so much for reading.
Please click the “Buy Now!”
button below to download the
complete manual.



After you pay.

You can download the most
perfect and complete manual in
the world immediately.

Our support email:

ebooklibonline@outlook.com