

FRUTTETO³ S 90 -> 5001/15001 /ACTIVEDRIVE

Section: B0 - ENGINE

Ref: B0.00.0 (1)

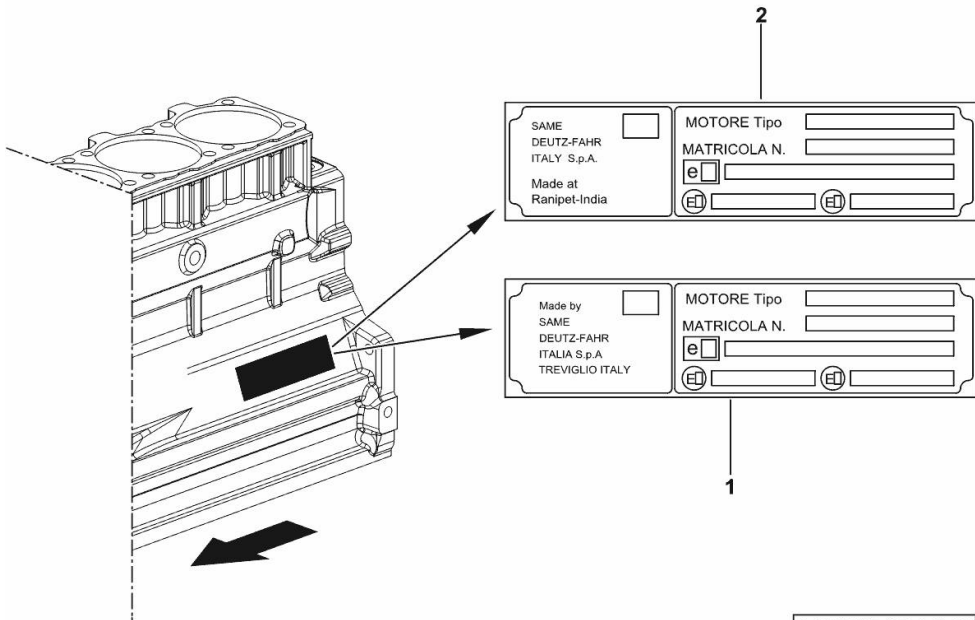
ENGINE TYPE-APPROVAL DATA PLATE

Fig.	P/n	QTY	Name
------	-----	-----	------

Notes:

[FRUTTETO 3 S 90 2WD -> ZKDP6101W0TS05001] [FRUTTETO 3 S 90 4WD -> ZKDP6102W0TS05001]

1	0.000.0000.1	cannot be supplied MADE BY TREVIGLIO ITALY
2	0.000.0000.1	cannot be supplied MADE AT RANIPET - INDIA



9_STA000_00_0-A-001

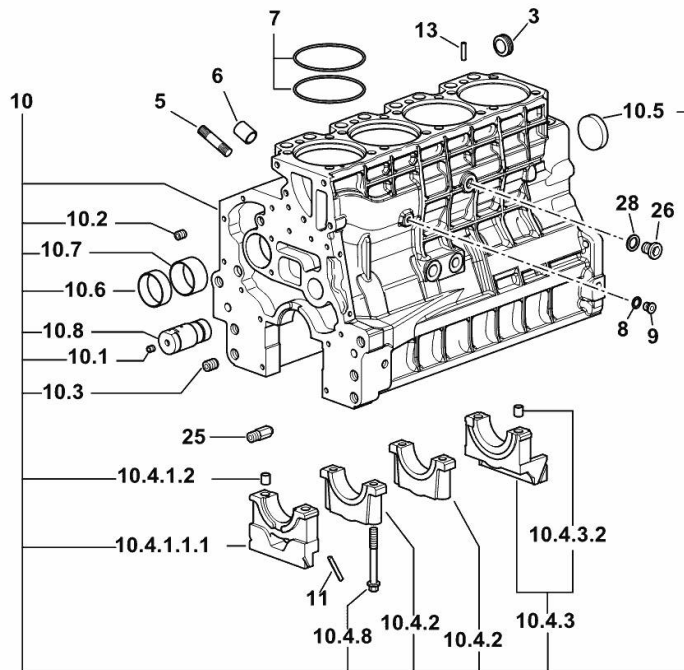
CRANKCASE

Fig.	P/n	QTY	Name
------	-----	-----	------

Notes:

FOR ENGINES PRODUCED IN : RANIPET - INDIA [FRUTTETO 3 S 90 2WD -> ZKDP6101W0TS05001] FOR

ENGINES PRODUCED IN : RANIPET - INDIA [FRUTTETO 3 S 90 4WD -> ZKDP6102W0TS05001]



3	2.3199.312.2/20	1	plug m 35x1.5x9.5
5	2.0439.279.7	8	stud bolt m 8 p.1 x 25
6	2.1559.188.2	4	bush 11.4 x 14 x16
7	2.1539.259.0	8	special oil seal 107.62x2.62
8	2.1560.010.0	1	gasket 14.2 x 20
9	2.3199.292.0	1	plug 1/4" gas
10	0.014.9655.4/30	1	crankcase
10.1	2.3130.001.1	14	plug 1/8" gas
10.2	2.3130.002.1	4	plug 1/4" gas
10.3	2.3130.003.1	6	plug 3/8" gas
10.4.1.1.1	0.065.1112.7/10	1	support
10.4.1.2	2.1699.165.0	1	bush 12.3x15x16
10.4.2	0.065.1114.0/10	3	support
10.4.3	0.065.1116.3	1	support
10.4.3.2	2.1699.165.0	1	bush 12.3x15x16
10.4.8	0.065.1117.0	10	screw m 12 x 100
10.5	2.3179.012.0	1	plug 60
10.6	0.065.1140.0	4	special bushing 59X55X20
10.7	0.065.1141.0	1	special bushing 59X55X30
10.8	0.014.1340.0/10	1	pin mm 85
11	0.066.1152.0/10	4	gasket
13	2.1549.154.2	4	bush 4.8x5.8x16
25	0.013.4946.0/10	1	sprayer nozzle
26	2.3120.101.0	1	plug m 18 p.1.5
28	2.1560.014.0	1	washer 18.2 x 24

FRUTTETO³ S 90 -> 5001/15001 /ACTIVEDRIVE

Section: B0 - ENGINE

Ref: B0.01.4 (1)

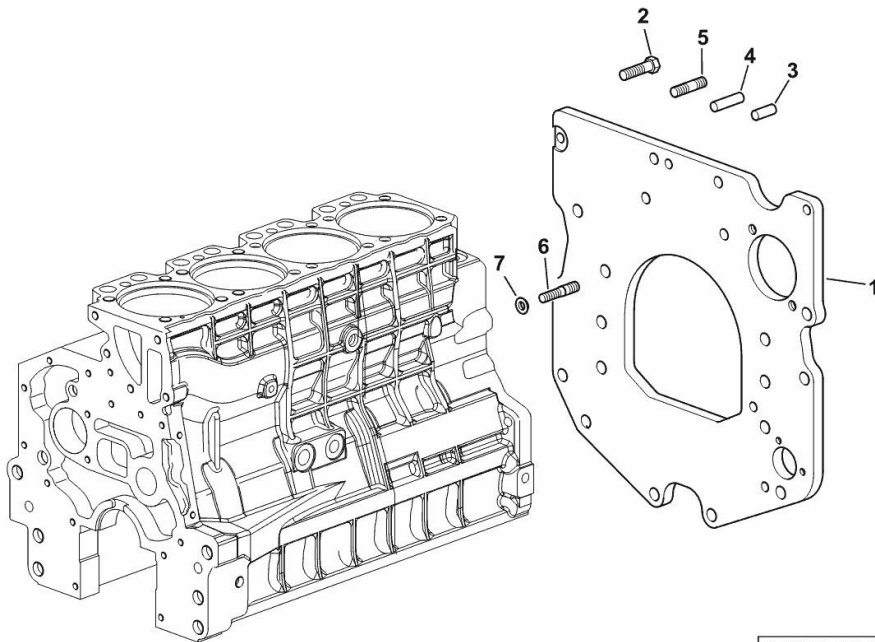
MONOBLOC ENGINE-GEARBOX CONNECTING FLANGE

Fig.	P/n	QTY	Name
------	-----	-----	------

Notes:

FOR ENGINES PRODUCED IN : TREVIGLIO ITALY [FRUTTETO 3 S 90 2WD -> ZKDP6101W0TS05001] FOR ENGINES PRODUCED IN : TREVIGLIO ITALY [FRUTTETO 3 S 90 4WD -> ZKDP6102W0TS05001]

1	0.007.1882.0/50	1	flange
2	2.0112.511.2	8	screw m 14 p.2 x 30
3	2.1651.912.0	2	cylindrical plug 12x28
4	2.1651.917.0	1	cylindrical plug 12x40
5	2.0432.257.7	1	stud bolt m 12 p.1.75 - 1.25 x 30
6	2.0439.250.7	1	stud bolt m 12 / m 10 x 30
7	0.011.9294.0/10	1	bush



9_38611_01_0-A-001

FRUTTETO³ S 90 -> 5001/15001 /ACTIVEDRIVE

Section: B0 - ENGINE

Ref: B0.01.5 (1)

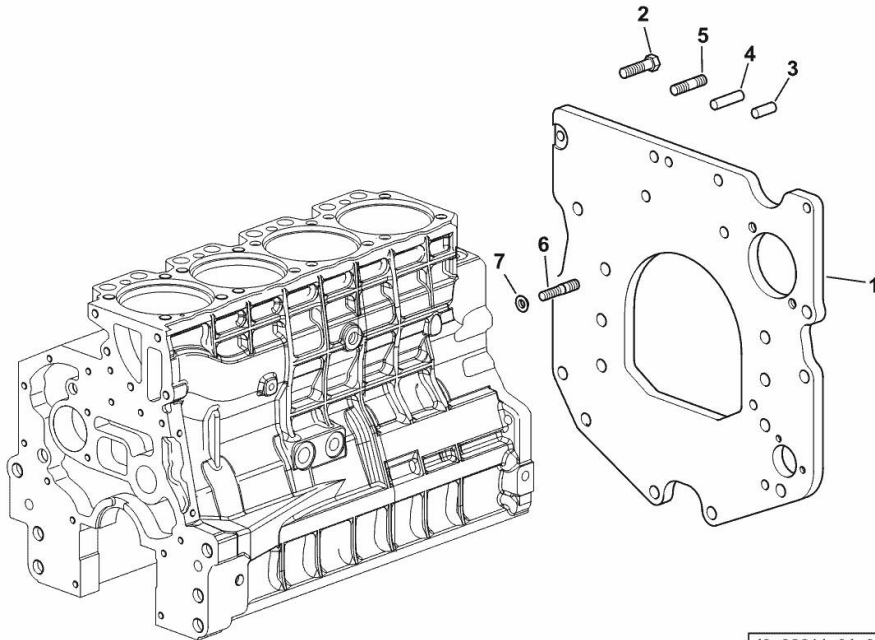
MONOBLOC ENGINE-GEARBOX CONNECTING FLANGE

Fig.	P/n	QTY	Name
------	-----	-----	------

Notes:

FOR ENGINES PRODUCED IN : RANIPET - INDIA [FRUTTETO 3 S 90 2WD -> ZKDP6101W0TS05001] FOR
 ENGINES PRODUCED IN : RANIPET - INDIA [FRUTTETO 3 S 90 4WD -> ZKDP6102W0TS05001]

1	0.007.1882.0/50	1	flange
2	2.0112.511.2	8	screw m 14 p.2 x 30
3	2.1651.912.0	2	cylindrical plug 12x28
4	2.1651.917.0	1	cylindrical plug 12x40
5	2.0432.257.7	1	stud bolt m 12 p.1.75 - 1.25 x 30
6	2.0439.250.7	1	stud bolt m 12 / m 10 x 30
7	0.011.9294.0/10	1	bush



I9_38611_01_0-A-001

FRUTTETO³ S 90 -> 5001/15001 /ACTIVEDRIVE

Section: B0 - ENGINE

Ref: B0.01.6 (1)

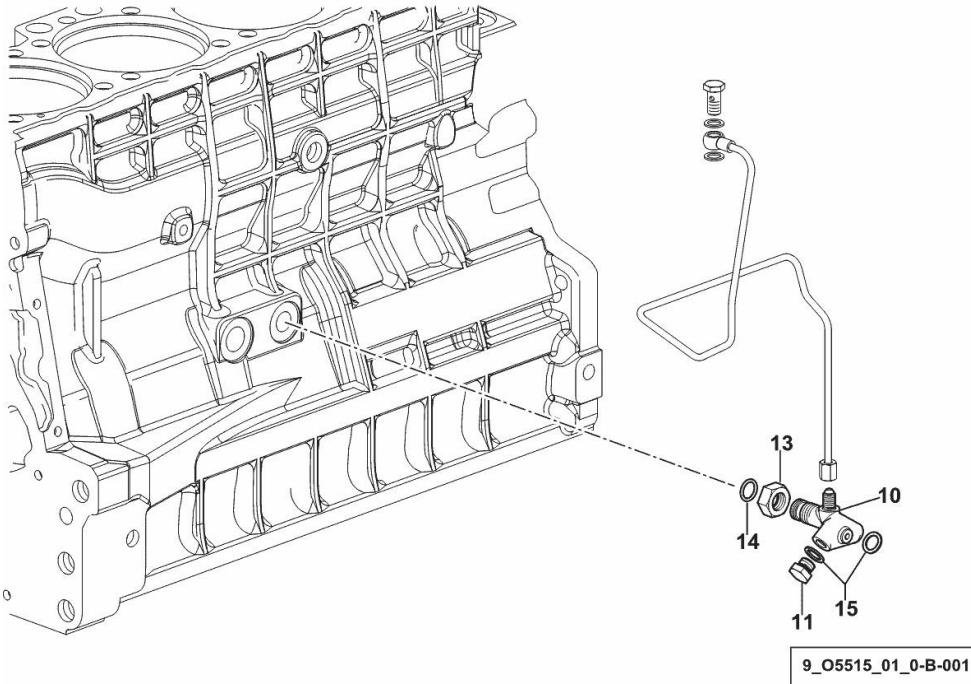
ENGINE OIL AND TURBO PRESSURE SWITCH UNION

Fig.	P/n	QTY	Name
------	-----	-----	------

Notes:

FOR ENGINES PRODUCED IN : TREVIGLIO ITALY [FRUTTETO 3 S 90 2WD -> ZKDP6101W0TS05001] FOR ENGINES PRODUCED IN : TREVIGLIO ITALY [FRUTTETO 3 S 90 4WD -> ZKDP6102W0TS05001]

10	2.3339.787.0/10	1	pipe fitting 7/16"
11	2.3110.403.1	1	plug m 14 p.1.5x12
13	2.1019.129.2/10	1	nut m 18 p.1.5x12
14	2.1533.038.0	1	oil seal 15.45x2.62
15	2.1560.010.0	2	gasket 14.2 x 20



FRUTTETO³ S 90 -> 5001/15001 /ACTIVEDRIVE

Section: B0 - ENGINE

Ref: B0.01.7 (1)

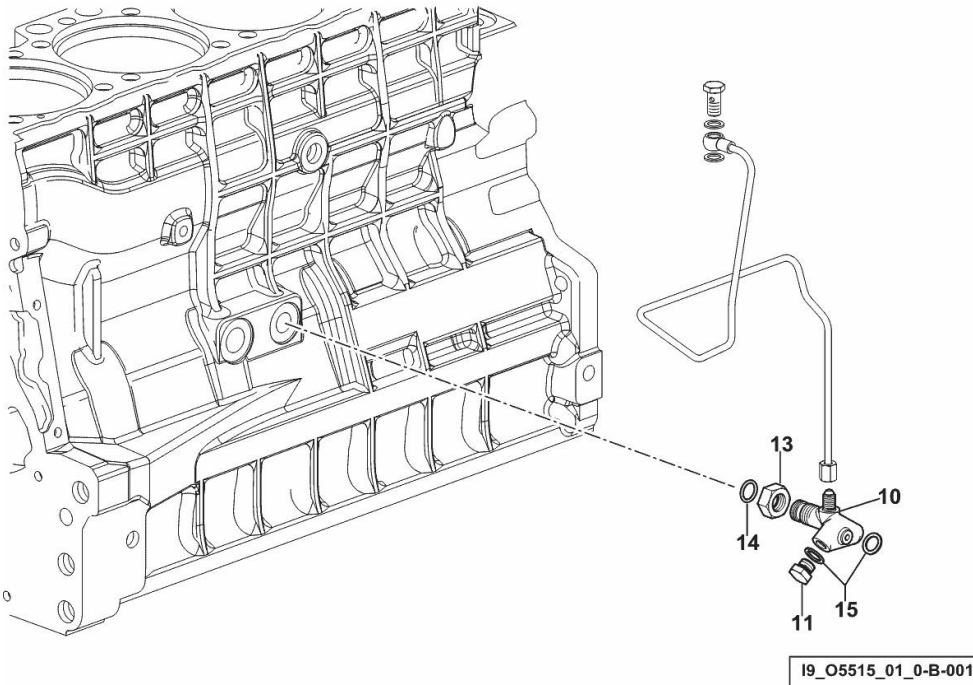
ENGINE OIL AND TURBO PRESSURE SWITCH UNION

Fig.	P/n	QTY	Name
------	-----	-----	------

Notes:

FOR ENGINES PRODUCED IN : RANIPET - INDIA [FRUTTETO 3 S 90 2WD -> ZKDP6101W0TS05001] FOR
 ENGINES PRODUCED IN : RANIPET - INDIA [FRUTTETO 3 S 90 4WD -> ZKDP6102W0TS05001]

10	2.3339.787.0/10	1	pipe fitting 7/16"
11	2.3110.403.1	1	plug m 14 p.1.5x12
13	2.1019.129.2/10	1	nut m 18 p.1.5x12
14	2.1533.038.0	1	oil seal 15.45x2.62
15	2.1560.010.0	2	gasket 14.2 x 20



FRUTTETO³ S 90 -> 5001/15001 /ACTIVEDRIVE

Section: B0 - ENGINE

Ref: B0.01.8 (1)

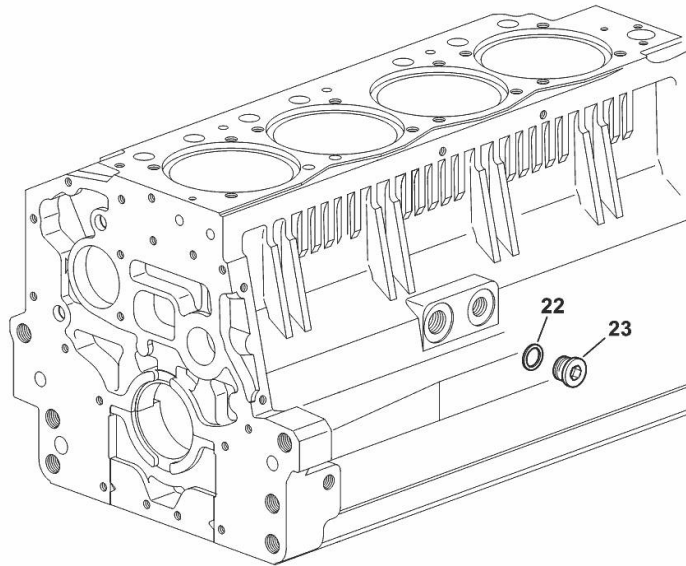
SIDE PLUG FOR CYLINDER BLOCK

Fig.	P/n	QTY	Name
------	-----	-----	------

Notes:

FOR ENGINES PRODUCED IN : TREVIGLIO ITALY [FRUTTETO 3 S 90 2WD -> ZKDP6101W0TS05001] FOR ENGINES PRODUCED IN : TREVIGLIO ITALY [FRUTTETO 3 S 90 4WD -> ZKDP6102W0TS05001]

22	2.1560.017.0	1	gasket 22.2 x 27
23	2.3120.002.4	1	plug m 22 x 1.5



9_33211_07_0-A-001

FRUTTETO³ S 90 -> 5001/15001 /ACTIVEDRIVE

Section: B0 - ENGINE

Ref: B0.01.9 (1)

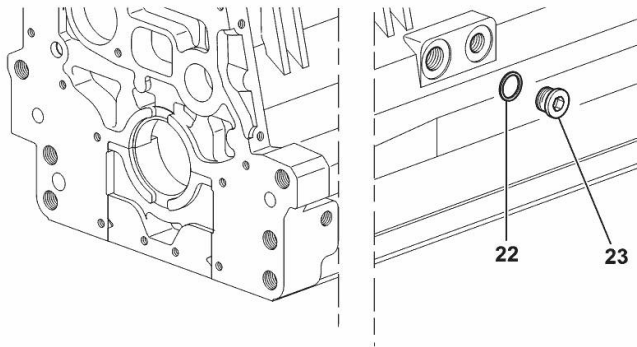
SIDE PLUG FOR CYLINDER BLOCK

Fig.	P/n	QTY	Name
------	-----	-----	------

Notes:

FOR ENGINES PRODUCED IN : RANIPET - INDIA [FRUTTETO 3 S 90 2WD -> ZKDP6101W0TS05001] FOR
ENGINES PRODUCED IN : RANIPET - INDIA [FRUTTETO 3 S 90 4WD -> ZKDP6102W0TS05001]

22	2.1560.017.0	1	gasket 22.2 x 27
23	2.3120.002.4	1	plug m 22 x 1.5



I9_33211_07_0-A-001

FRUTTETO³ S 90 -> 5001/15001 /ACTIVEDRIVE

Section: B0 - ENGINE

Ref: B0.01.10 (1)

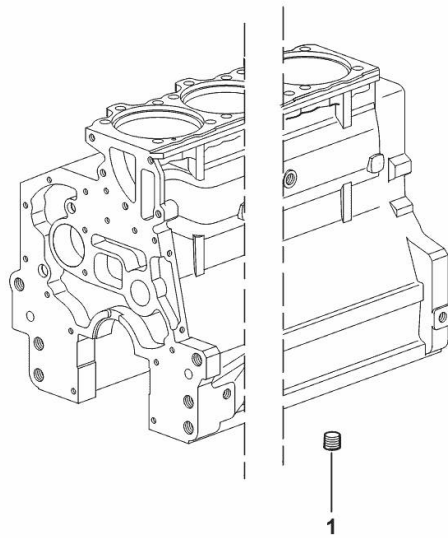
LOWER PLUG FOR CYLINDER BLOCKS

Fig.	P/n	QTY	Name
------	-----	-----	------

Notes:

FOR ENGINES PRODUCED IN : TREVIGLIO ITALY [FRUTTETO 3 S 90 2WD -> ZKDP6101W0TS05001] FOR ENGINES PRODUCED IN : TREVIGLIO ITALY [FRUTTETO 3 S 90 4WD -> ZKDP6102W0TS05001]

1	2.3130.003.1	2	plug 3/8" gas
---	--------------	---	---------------



9_33311_06_0-A-001

FRUTTETO³ S 90 -> 5001/15001 /ACTIVEDRIVE

Section: B0 - ENGINE

Ref: B0.01.11 (1)

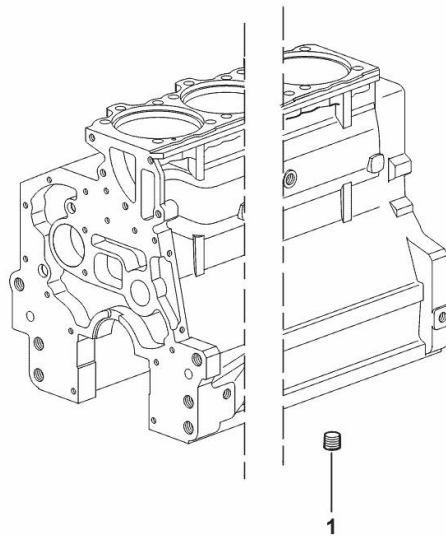
LOWER PLUG FOR CYLINDER BLOCKS

Fig.	P/n	QTY	Name
------	-----	-----	------

Notes:

FOR ENGINES PRODUCED IN : RANIPET - INDIA [FRUTTETO 3 S 90 2WD -> ZKDP6101W0TS05001] FOR
ENGINES PRODUCED IN : RANIPET - INDIA [FRUTTETO 3 S 90 4WD -> ZKDP6102W0TS05001]

1	2.3130.003.1	2	plug 3/8" gas
---	--------------	---	---------------



19_37511_06_0-A-001

FRUTTETO³ S 90 -> 5001/15001 /ACTIVEDRIVE

Section: B0 - ENGINE

Ref: B0.02.0 (1)

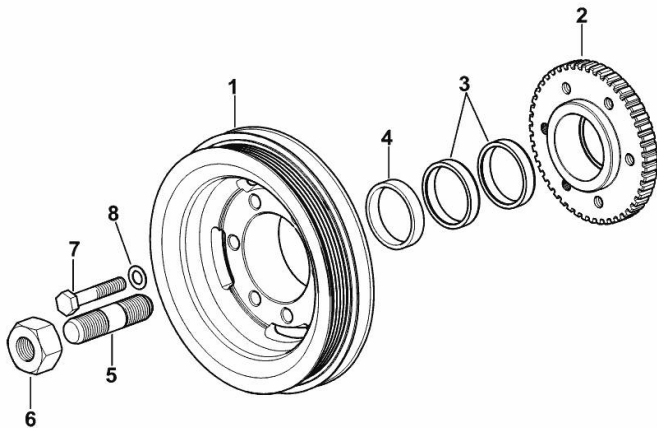
ENGINE CRANKSHAFT PULLEY WITH RING-FEEDER RINGS

Fig.	P/n	QTY	Name
------	-----	-----	------

Notes:

FOR ENGINES PRODUCED IN : TREVIGLIO ITALY [FRUTTETO 3 S 90 2WD -> ZKDP6101W0TS05001] FOR ENGINES PRODUCED IN : TREVIGLIO ITALY [FRUTTETO 3 S 90 4WD -> ZKDP6102W0TS05001]

1	0.015.6055.0	1	pulley
2	0.011.3515.0/20	1	hub Z = 48
3	0.065.1256.0	2	ring 45x52
4	2.1579.865.0	1	spacer 45.2x51.8x10
5	2.0439.195.7	1	stud bolt m 20 p.1.5x80
6	2.1019.094.7	1	nut m 20 p.1.5
7	2.0112.320.2	6	screw m 10 p.1.5 x 55
8	2.1470.006.2	6	lock washer 10



9_O6312_03_0-A-001

FRUTTETO³ S 90 -> 5001/15001 /ACTIVEDRIVE

Section: B0 - ENGINE

Ref: B0.02.1 (1)

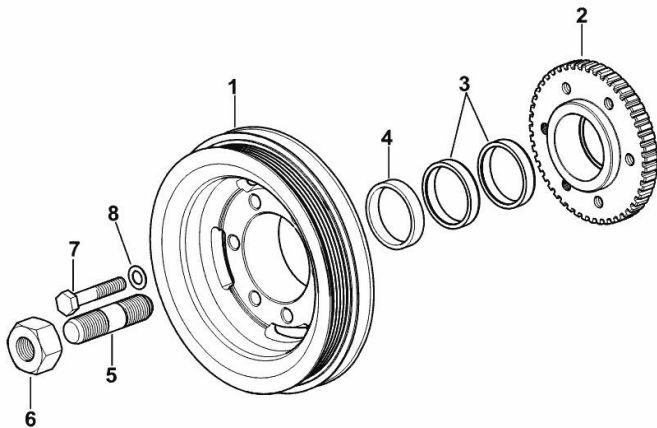
ENGINE CRANKSHAFT PULLEY WITH RING-FEEDER RINGS

Fig.	P/n	QTY	Name
------	-----	-----	------

Notes:

FOR ENGINES PRODUCED IN : RANIPET - INDIA [FRUTTETO 3 S 90 2WD -> ZKDP6101W0TS05001] FOR ENGINES PRODUCED IN : RANIPET - INDIA [FRUTTETO 3 S 90 4WD -> ZKDP6102W0TS05001]

1	0.015.6055.0	1	pulley
2	0.011.3515.0/20	1	hub Z = 48
3	0.065.1256.0	2	ring 45x52
4	2.1579.865.0	1	spacer 45.2x51.8x10
5	2.0439.195.7	1	stud bolt m 20 p.1.5x80
6	2.1019.094.7	1	nut m 20 p.1.5
7	2.0112.320.2	6	screw m 10 p.1.5 x 55
8	2.1470.006.2	6	lock washer 10



I9_O6312_03_0-A-001

FRUTTETO³ S 90 -> 5001/15001 /ACTIVEDRIVE

Section: B0 - ENGINE

Ref: B0.02.2 (1)

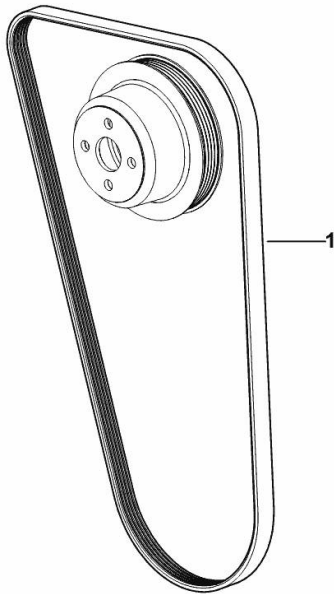
COOLANT PUMP AND ALTERNATOR DRIVEBELT

Fig.	P/n	QTY	Name
------	-----	-----	------

Notes:

[FRUTTETO 3 S 90 2WD -> ZKDP6101W0TS05001] [FRUTTETO 3 S 90 4WD -> ZKDP6102W0TS05001]
[FRUTTETO 3 S 90 4WD -> ZKDP6102W0TS05001] 5069 <- [FRUTTETO 3 S 90 4WD -> ZKDP6102W0TS05001]
>- 15026 - 15040 <-

1	2.4119.187.0	1	belt PV-K5 (mm 1230)
---	--------------	---	----------------------



9_O6817_09_0-A-001

FRUTTETO³ S 90 -> 5001/15001 /ACTIVEDRIVE

Section: B0 - ENGINE

Ref: B0.02.3 (1)

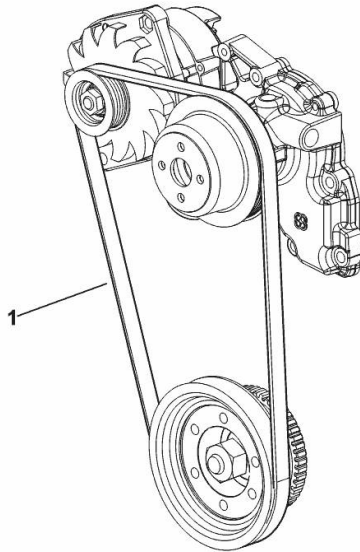
COOLANT PUMP AND ALTERNATOR DRIVEBELT

Fig.	P/n	QTY	Name
------	-----	-----	------

Notes:

[FRUTTETO 3 S 90 4WD -> ZKDP6102W0TS05001] -> 5075 - 5109 <-

1	2.4119.195.0	1	belt PV-K5 (mm 17.4x1250)
---	--------------	---	-----------------------------



9_N2517_09_0-A-001

Thank you so much for reading.
Please click the “Buy Now!”
button below to download the
complete manual.



After you pay.

You can download the most
perfect and complete manual in
the world immediately.

Our support email:

ebooklibonline@outlook.com