

Section: ENGINE
CRANKCASE

9_33211_00_0_A

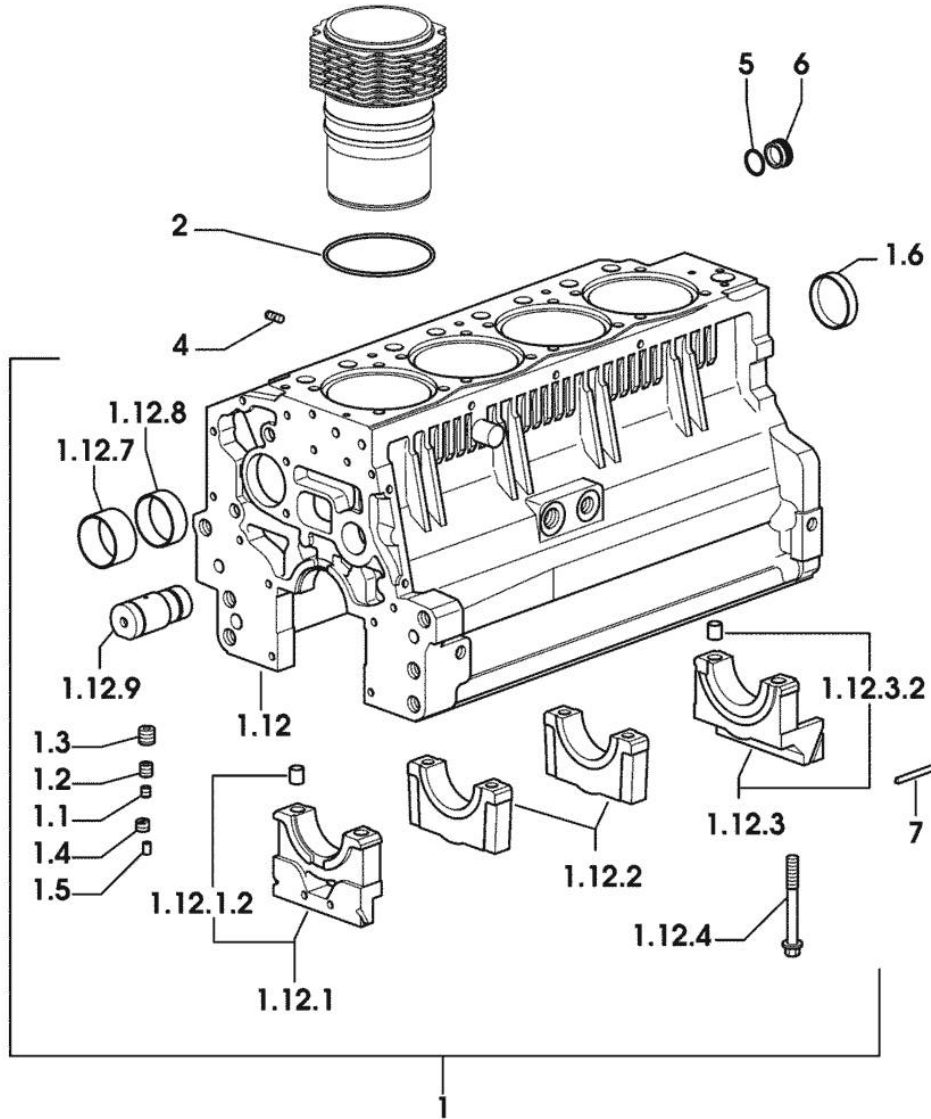


Fig.	P/n	QTY	Name
------	-----	-----	------

Notes:
 [GOLDEN 85 compatto]

1	0.007.1140.6/10	1	crankcase
1.1	2.3130.001.1	11	plug 1/8" gas
1.2	2.3130.002.1	2	plug 1/4" gas
1.3	2.3130.003.1	7	plug 3/8" gas
1.4	2.1324.011.0	1	plug
1.5	2.3199.092.0	4	plug 8 x 12
1.6	2.3179.012.0	1	plug 60
1.12	0.000.0000.1		cannot be supplied
1.12.1	0.065.1112.7	1	support
1.12.1.2	2.1699.165.0	1	bush 12.3x15x16
1.12.2	0.065.1114.0/10	3	support
1.12.3	0.065.1116.3	1	support
1.12.3.2	2.1699.165.0	1	bush 12.3x15x16
1.12.4	0.065.1117.0	10	screw m 12 x 100
1.12.7	0.065.1141.0	1	special bushing 59X55X30
1.12.8	0.065.1140.0	4	special bushing 59X55X20
1.12.9	0.066.1151.0	1	pin
2	2.1539.130.0/10	4	special oil seal 117.07x3.53
4	2.0432.003.7	12	stud bolt m 8 p.1.25 / p.1 x 20
5	2.1532.072.0	1	oil seal 26.70x1.78
6	2.3199.405.2	1	plug m 28 p.1.5
7	0.066.1152.0/10	4	gasket

TIMING CASE

9_33211_00_0_B

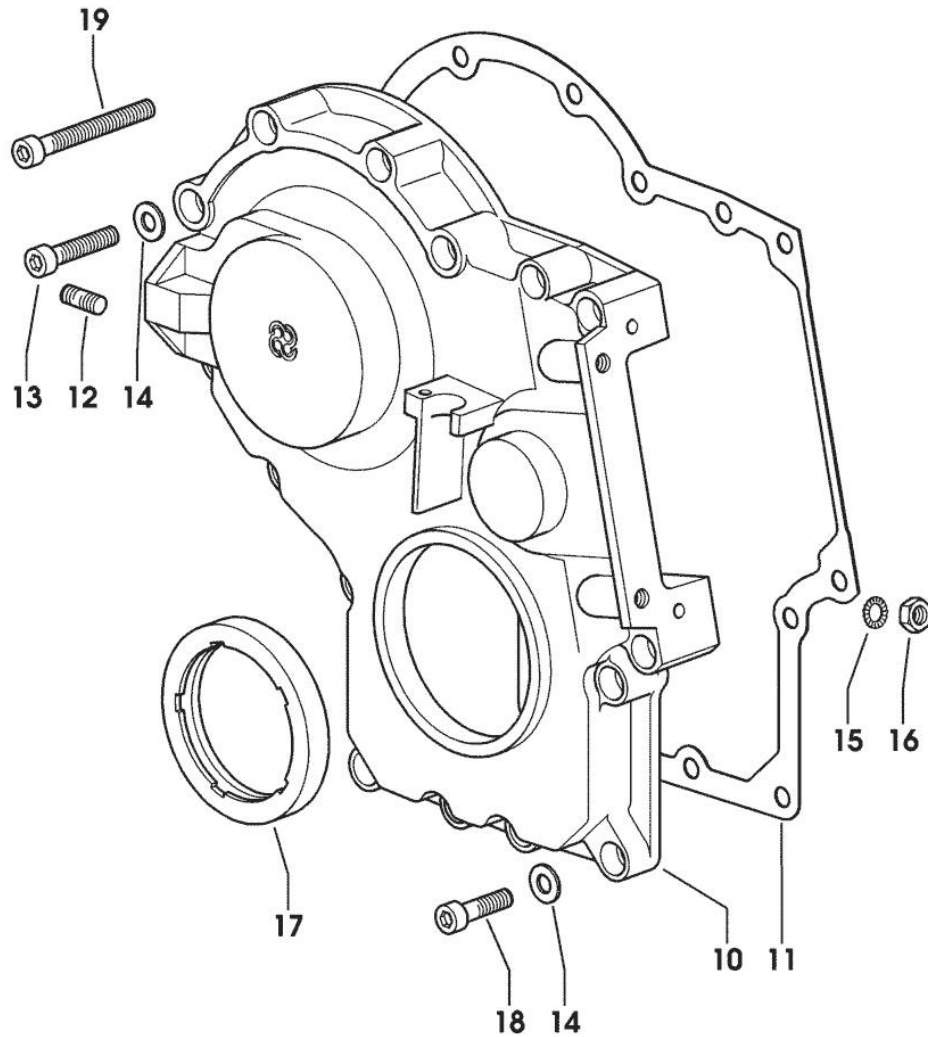


Fig.	P/n	QTY	Name
Notes:			
[GOLDEN 85 compatto]			
10	0.013.4981.0	1	guard -> 1460 X GOLDEN 75 Compatto -> 1238 X GOLDEN 85 Compatto
10	0.065.1132.0/50	1	guard 1459 <- X GOLDEN 75 compatto 1237 <- X GOLDEN 85 compatto
11	0.065.1150.0/30	1	gasket
12	2.0432.003.7	2	stud bolt m 8 p.1.25 / p.1 x 20
13	2.0312.214.2	3	screw m 8 p.1.25 x 40
14	2.1480.014.1	15	washer 8
15	2.1470.004.2	4	lock washer 8
16	2.1011.405.2	2	nut m 8 p.1
17	2.1529.141.0	1	special oil seal
18	2.0312.208.2	8	screw m 8 p.1.25 x 25
19	2.0312.219.2	4	screw m 8 p.1.25x65

Section: ENGINE
CASING COVER

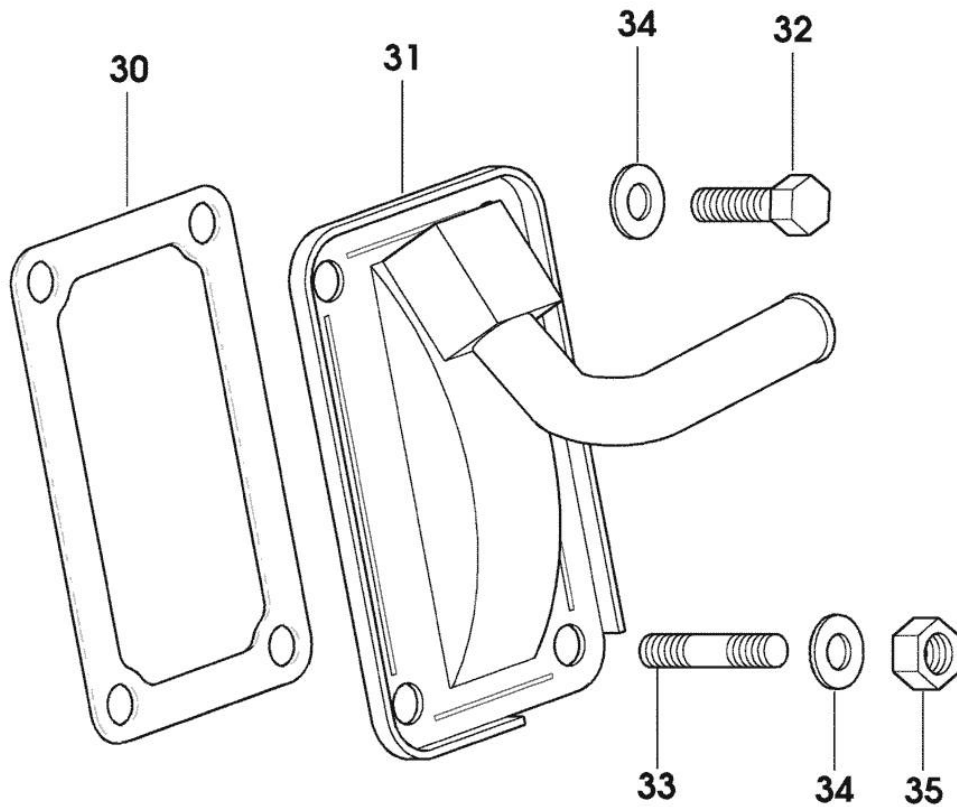


Fig.	P/n	QTY	Name
------	-----	-----	------

Notes:
 [GOLDEN 85 compatto]

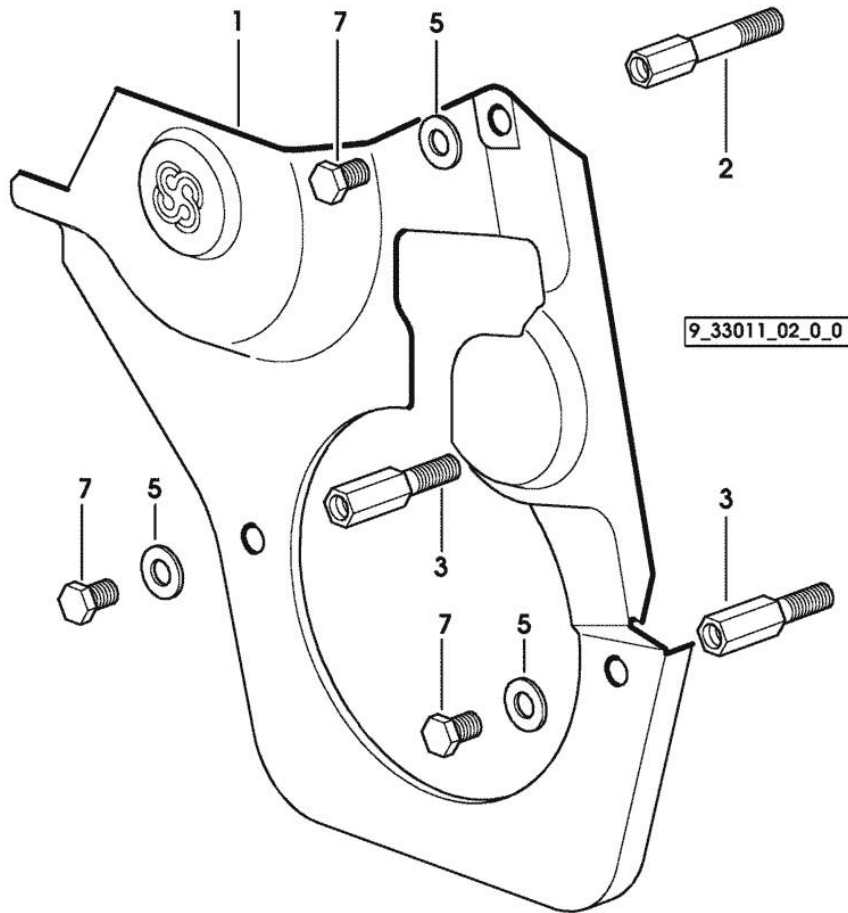
30	0.065.1152.0	1	gasket
31	0.010.7368.2/10	1	cover
32	2.0112.205.2	2	screw m 8 p.1.25 x 16
33	2.0432.005.7	2	stud bolt m 8 p.1.5 / p.1 x 25
34	2.1310.004.2	4	flat washer 8.4x17
35	2.1011.405.2	2	nut m 8 p.1

9_38811_01_0_0

Fig.	P/n	QTY	Name
------	-----	-----	------

Notes:
 [GOLDEN 85 compatto]

1	0.007.1262.3/50	1	guard
2	0.007.1271.0/10	1	small column m 8 p.1.25 / L = mm 60
3	0.007.1272.0/10	2	small column m 8 p.1.25 / L = mm 50
5	2.1310.004.2	3	flat washer 8.4x17
7	2.0112.203.2	3	screw m 8 p.1.25 x 12



MONOBLOC ENGINE-GEARBOX CONNECTING FLANGE

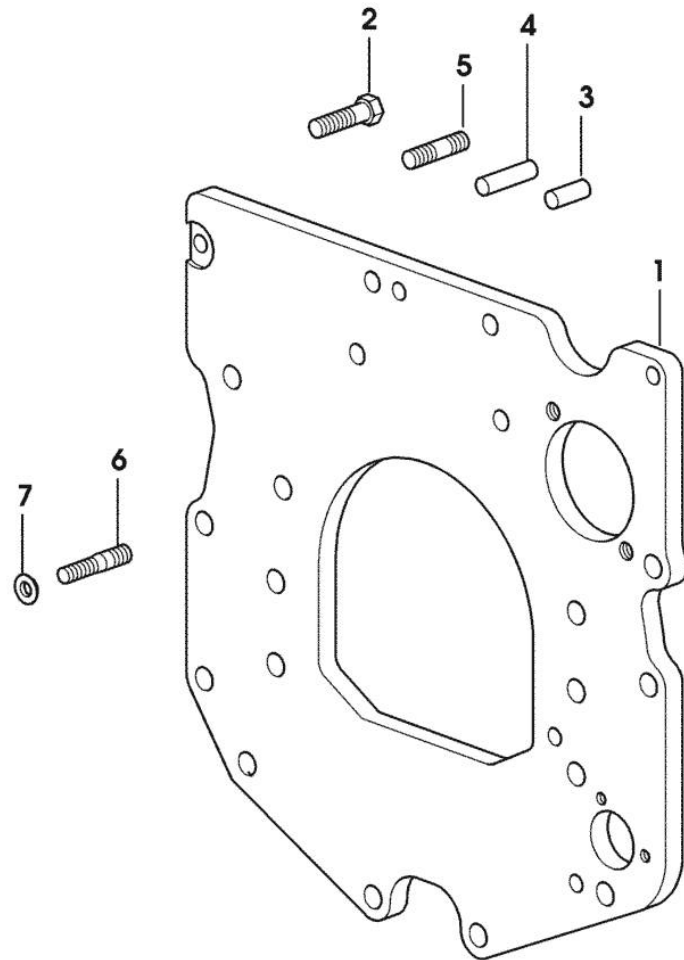


Fig.	P/n	QTY	Name
------	-----	-----	------

Notes:
[GOLDEN 85 compatto]

1	0.007.1882.0/50	1	flange
2	2.0112.511.2	8	screw m 14 p.2 x 30
3	2.1651.912.0	2	cylindrical plug 12x28
4	2.1651.917.0	1	cylindrical plug 12x40
5	2.0432.255.7	2	stud bolt m 12 p.1.75-1.25x25 1217 <- X GOLDEN 60 compatto 1282 <- X GOLDEN 65 compatto 1565 <- X GOLDEN 75 compatto 1346 <- X GOLDEN 85 compatto
5	2.0432.257.7	1	stud bolt m 12 p.1.75 - 1.25 x 30 -> 1218 X GOLDEN 60 Compatto -> 1283 X GOLDEN 65 Compatto -> 1566 X GOLDEN 75 Compatto -> 1347 X GOLDEN 85 Compatto
6	2.0439.250.7	1	stud bolt m 12 / m 10 x 30 -> 1218 X GOLDEN 60 Compatto -> 1283 X GOLDEN 65 Compatto -> 1566 X GOLDEN 75 Compatto -> 1347 X GOLDEN 85 Compatto
7	0.011.9294.0/10	1	bush -> 1218 X GOLDEN 60 Compatto -> 1283 X GOLDEN 65 Compatto -> 1566 X GOLDEN 75 Compatto -> 1347 X GOLDEN 85 Compatto

Section: ENGINE

CRANKSHAFT

9_33212_00_0_0

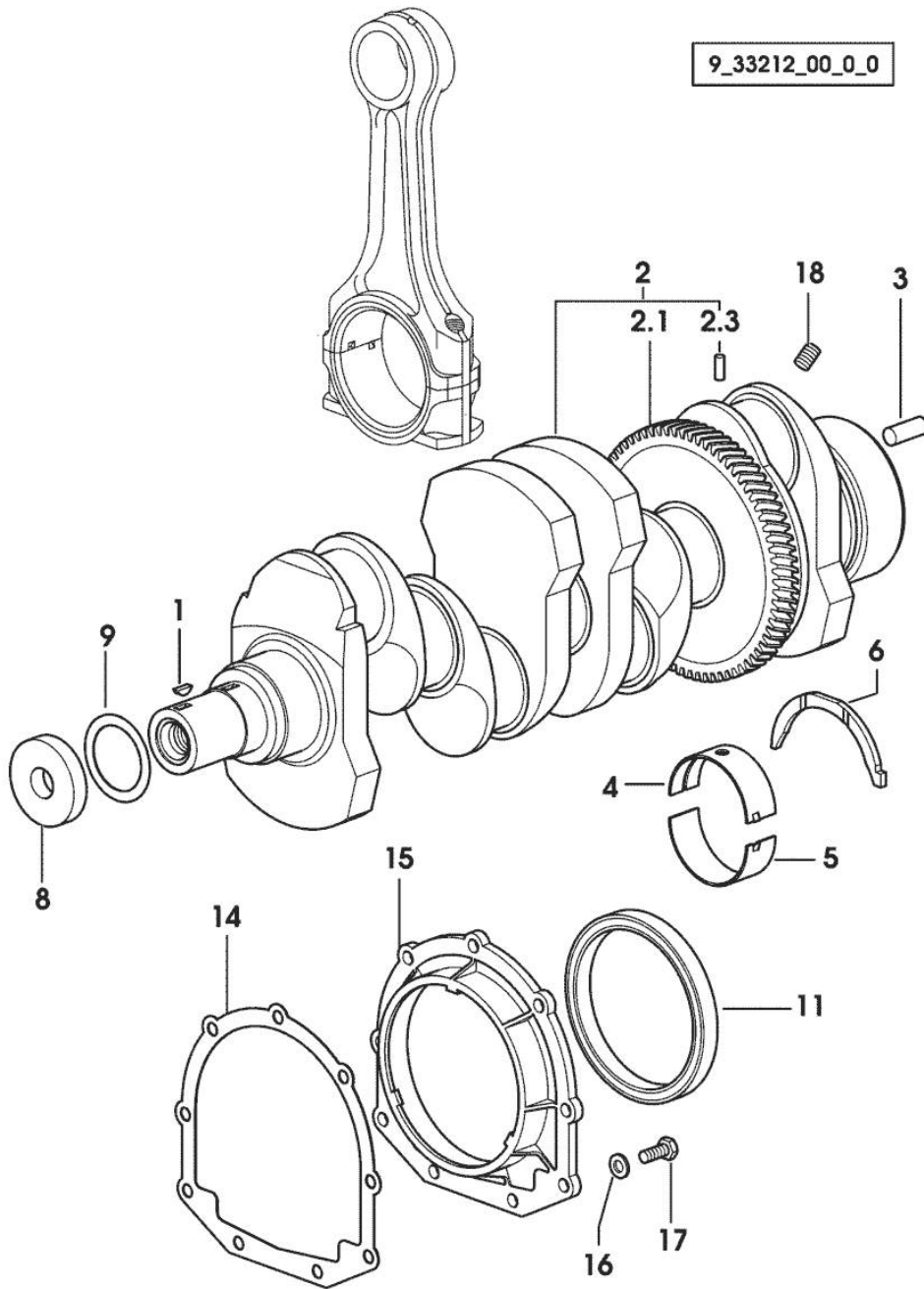


Fig.	P/n	QTY	Name
------	-----	-----	------

Notes:
[GOLDEN 85 compatto]

1	2.1720.006.0	1	key 4x6.5
2	0.086.1210.3/30	1	crankshaft
2.1	0.065.1211.0/10	1	crown wheel
2.3	2.1630.608.0	1	pin 6x16
3	2.1651.915.0	1	pin 12x35
4	0.065.1215.0	5	main half bushing STANDARD
4	0.065.1215.7		main half bushing - mm 0.25
4	0.065.1215.8		main half bushing - mm 0.50
5	0.065.1216.0	5	main half bushing
5	0.065.1216.7		main half bushing - mm 0.25
5	0.065.1216.8		main half bushing - mm 0.50
6	0.065.1218.0	4	shim STANDARD
6	0.065.1218.7		shim + mm 0.10
6	0.065.1218.8		shim + mm 0.15
8	2.1599.524.7	1	washer 21x60x12
9	2.1589.189.0	2	shoulder ring mm 1.00
11	2.1529.073.0	1	special oil seal 110x130x13
14	0.065.1254.0/20	1	gasket
15	0.007.1711.0/10	1	cover
16	2.1475.002.2	9	conical washer 8
17	2.0112.207.2	9	screw m 8 p 1.25 x 20
18	2.3130.001.1	4	plug 1/8" gas

Section: ENGINE

CYLINDER - PISTON - CONNECTING ROD

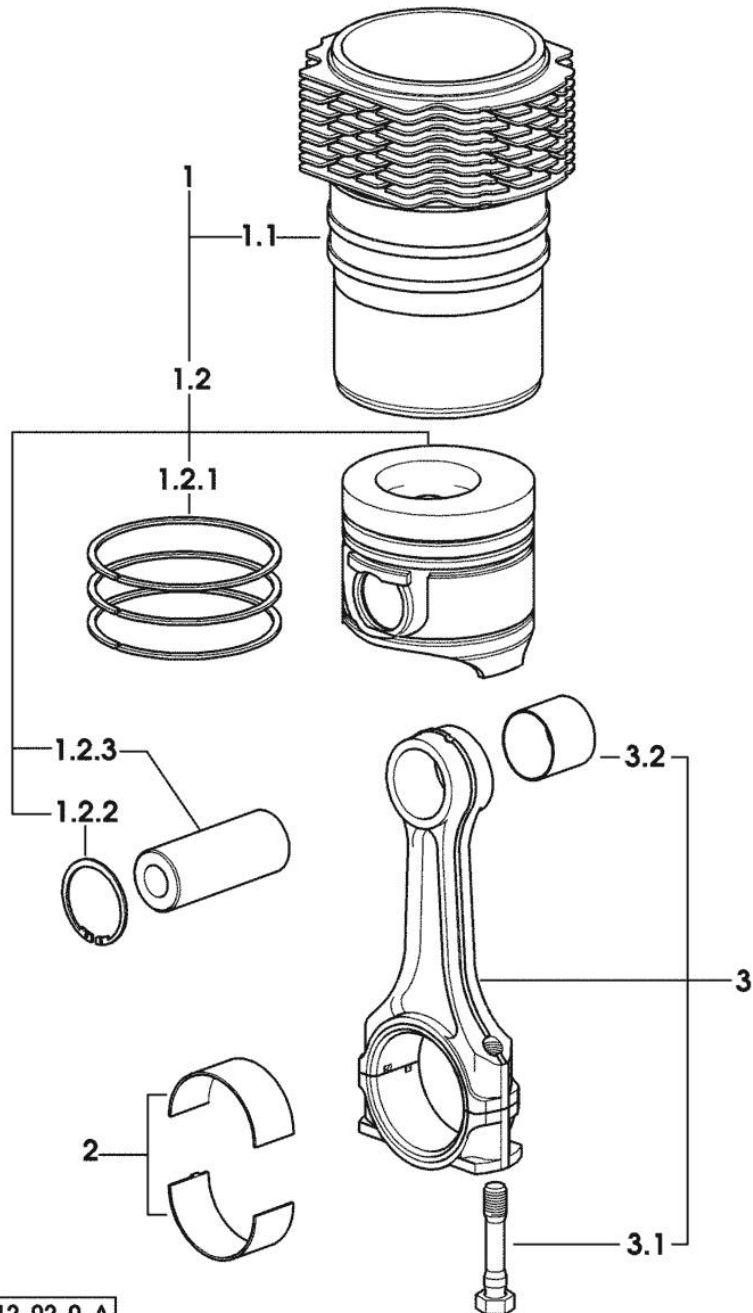


Fig.	P/n	QTY	Name
------	-----	-----	------

Notes:
[GOLDEN 85 compatto]

1	0.381.0065.A	4	cyl. piston assembly "A" - CLASS A
1	0.381.0065.B	4	cyl. piston assembly "B" - CLASS B
1.1	0.007.0762.0/50	1	engine cylinder 6211 <= X GOLDEN 85 compatto
1.1	0.A13.0355.0	1	engine cylinder "A" => 6212 X GOLDEN 85 Compatto - CLASS A
1.1	0.B13.0355.0	1	engine cylinder "B" => 6212 X GOLDEN 85 Compatto - CLASS B
1.2	0.381.0060.6/10	1	complete piston 6211 <= X GOLDEN 85 compatto
1.2	0.381.0060.A	1	complete piston "A" => 6212 X GOLDEN 85 Compatto - CLASS A
1.2	0.381.0060.B	1	complete piston "B" => 6212 X GOLDEN 85 Compatto - CLASS B
1.2.1	0.338.0052.6/20	1	piston ring set
1.2.2	2.1411.014.1	2	circlip 35
1.2.3	0.078.1236.0	1	piston pin Ø 18 / Ø 35 / L = mm 86
2	0.065.1225.0	8	con.rod half bushing STANDARD - A = 28.75 -> 29.00
2	0.065.1225.7	8	con.rod half bushing - mm 0.25
2	0.065.1225.8	8	con.rod half bushing - mm 0.50
3	0.078.1220.3/30	4	engine connecting rod
3.1	2.0399.213.0	2	screw m 12 p.1.25x61.5
3.2	2.1559.114.0/10	1	special bushing

Section: ENGINE

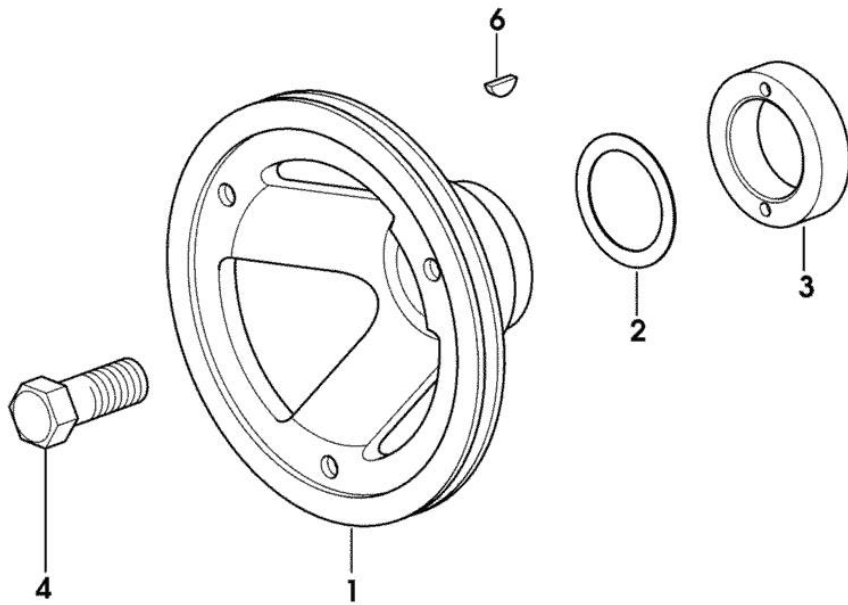
CRANKSHAFT PULLEY

Fig.	P/n	QTY	Name
------	-----	-----	------

Notes:

[GOLDEN 85 compatto]

1	0.007.1330.0/30	1	pulley
2	2.1589.189.0	2	shoulder ring mm 1.00
3	0.085.1248.0/10	1	hub
4	2.0399.144.7/10	1	screw m 20 p.1.5x51
6	2.1720.006.0	1	key 4x6.5



9_33012_02_0_0

Section: ENGINE

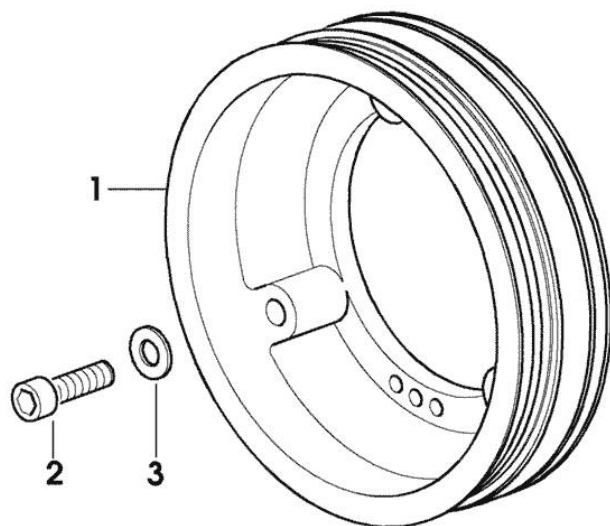
PULLEY FOR ACCESSORIES

Fig.	P/n	QTY	Name
------	-----	-----	------

Notes:

[GOLDEN 85 compatto]

1	0.007.6963.0/10	1	pulley
2	2.0312.317.2	3	screw m 10 x 55
3	2.1310.006.2	3	flat washer 10.5x21



9_37212_03_0_0

Section: ENGINE

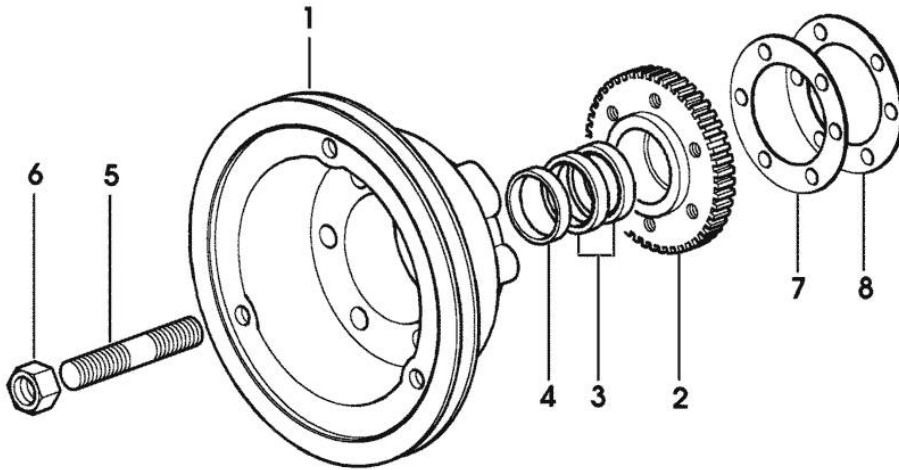
ENGINE SHAFT - FRONT P.T.O. PULLEYS

Fig.	P/n	QTY	Name
------	-----	-----	------

Notes:

[GOLDEN 85 compatto]

1	0.086.1244.0	1	pulley
2	0.011.3515.0/10	1	hub Z = 48
3	0.065.1256.0	2	ring 45x52
4	2.1579.865.0	1	spacer 45.2x51.8x10
5	2.0439.195.7	1	stud bolt m 20 p.1.5x80
6	2.1019.094.7	1	nut m 20 p.1.5
7	2.1589.137.0	3	shoulder ring 71x110x1
8	2.1589.136.0	1	shoulder ring 71x110x0.5



Section: ENGINE

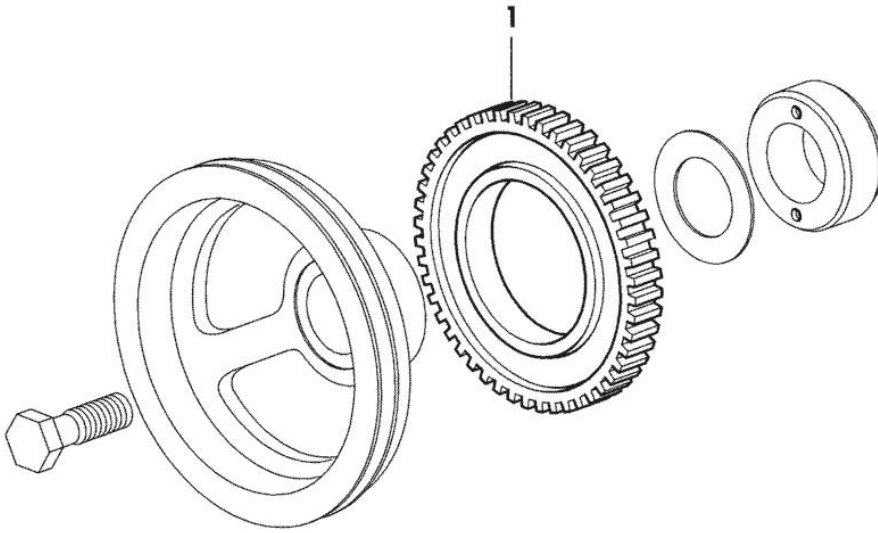
PULSE WHEEL

Fig.	P/n	QTY	Name
------	-----	-----	------

Notes:

[GOLDEN 85 compatto]

1	0.011.3531.0	1	gear Z = 48
---	--------------	---	-------------



9_36812_05_0_0

Section: ENGINE

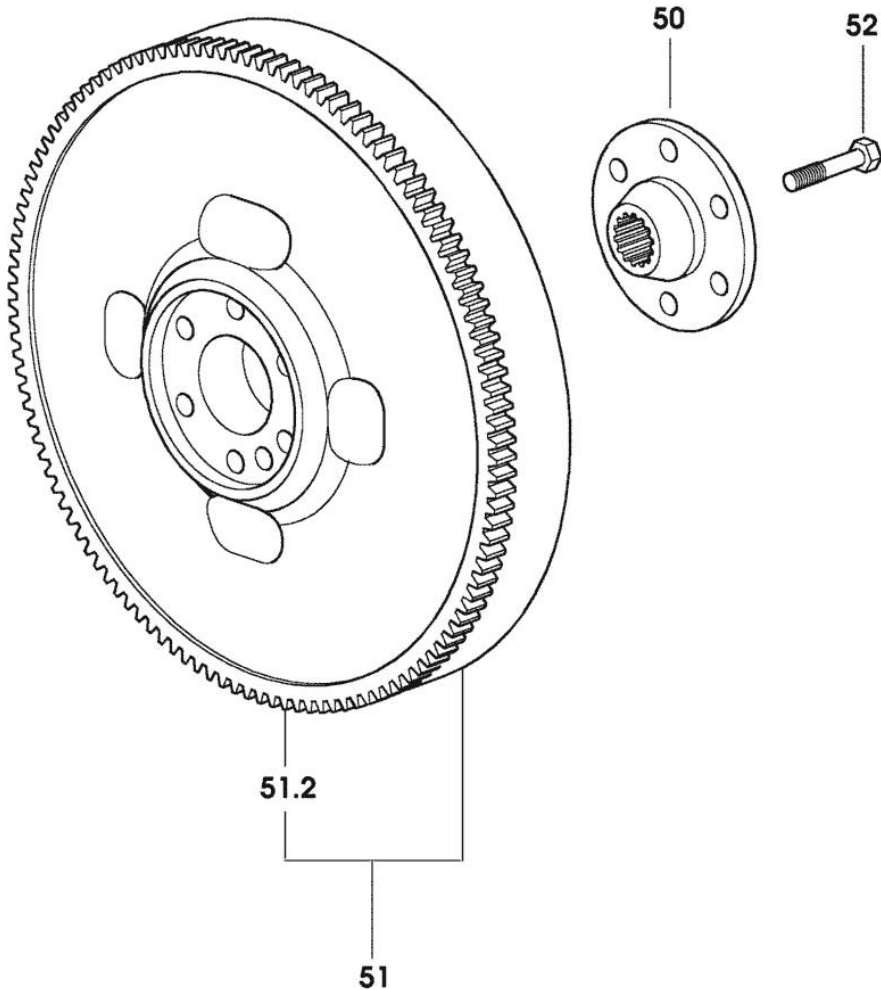
ENGINE FLYWHEEL

Fig.	P/n	QTY	Name
------	-----	-----	------

Notes:

[GOLDEN 85 compatto]

50	0.255.2525.0/10	1	flange
51	0.076.1247.3/20	1	flywheel
51.2	0.065.1242.0	1	crown wheel Z = 123
52	2.0139.022.2	6	screw m 12 p.1.25x55



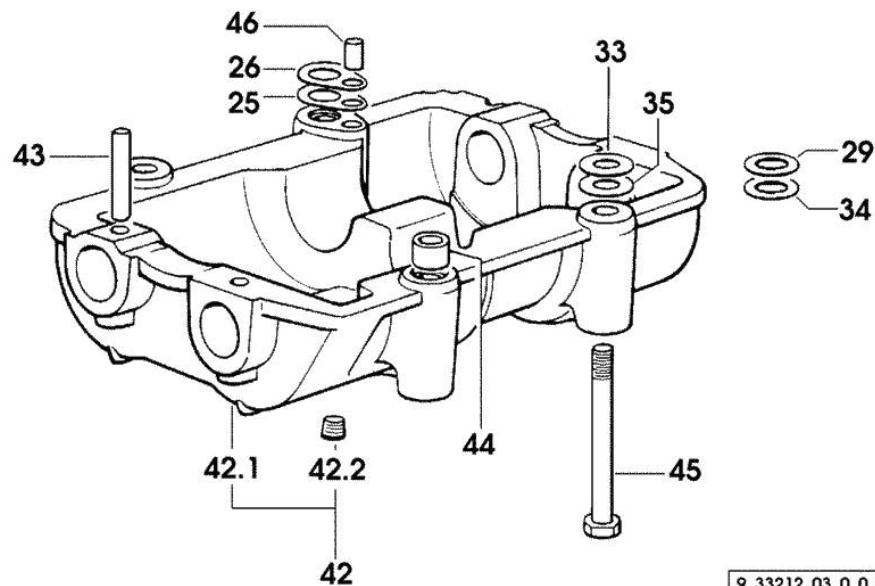
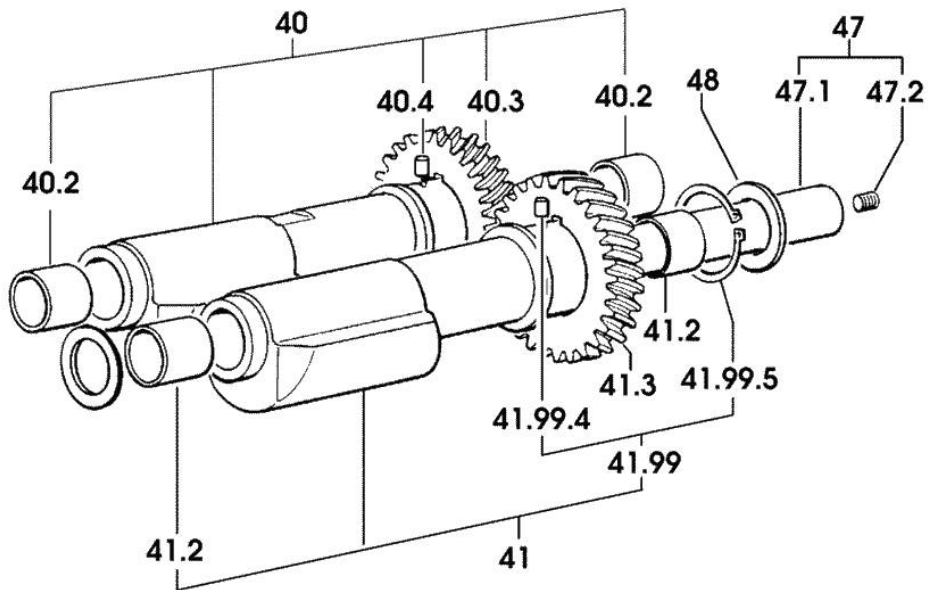
9_33212_07_0_0

Section: ENGINE
COUNTERWEIGHTS

Fig.	P/n	QTY	Name
------	-----	-----	------

Notes:
[GOLDEN 85 compatto]

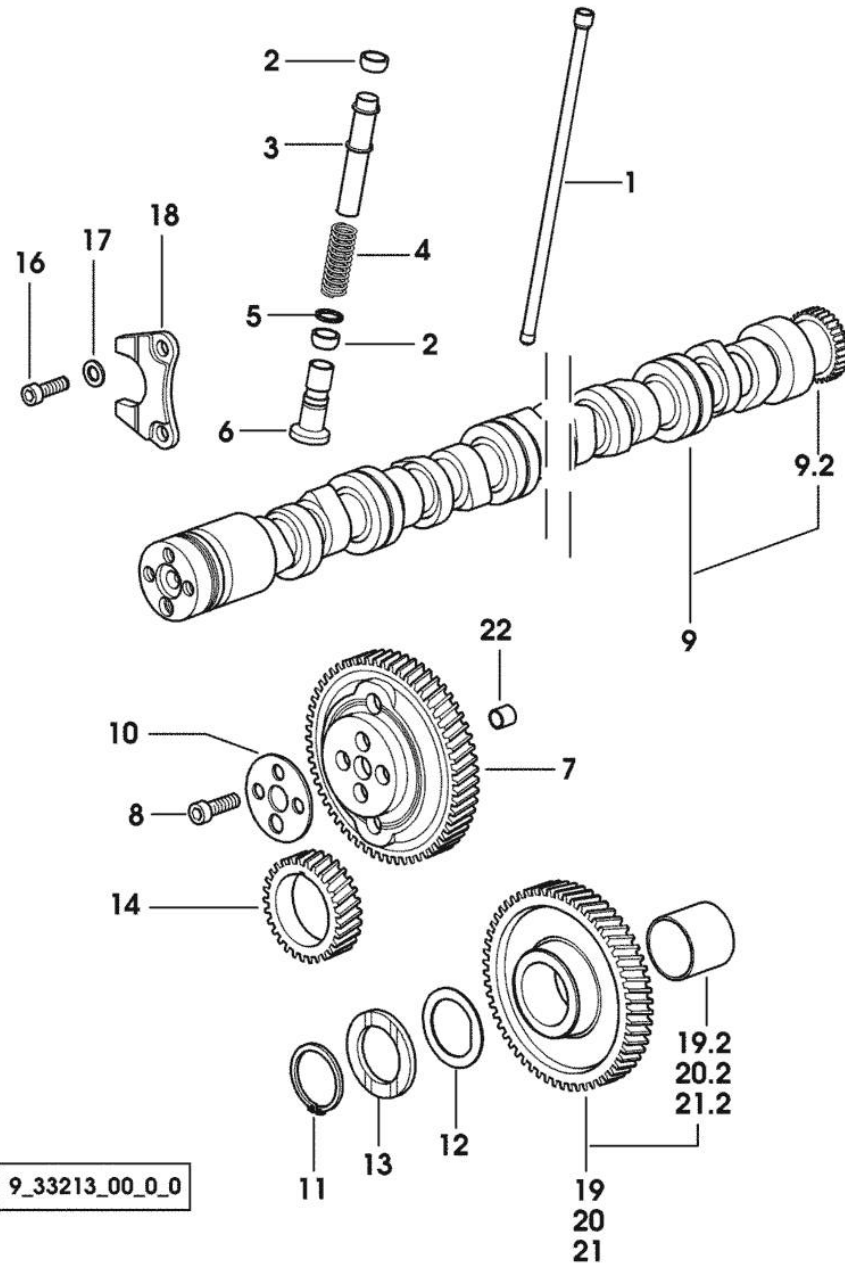
25	2.1589.139.0	1	shoulder ring mm 0.3
26	2.1589.140.0	3	shoulder ring mm 0.1
29	2.1579.628.0	3	spacer 16.5x26x0.1
33	2.1579.629.0	6	spacer 12.5x26x0.1
34	2.1589.048.0	1	shoulder ring 16.5x26x0.3
35	2.1589.049.0	1	shoulder ring 12.5x26x0.3
40	0.086.1233.3/30	1	mass sx/lh/li
40.2	2.1559.115.0	2	special bushing 26x30x30
40.3	0.000.0000.1		cannot be supplied
40.4	2.1651.302.0	1	roll pin 4x6
41	0.065.1233.3/30	1	mass dx/rh/re
41.2	2.1559.115.0	2	special bushing 26x30x30
41.3	0.000.0000.1		cannot be supplied
41.99	0.000.0000.1		cannot be supplied
41.99.4	2.1651.302.0	1	roll pin 4x6
41.99.5	2.1410.018.7	1	circlip 45
42	0.000.0000.1		cannot be supplied
42.1	0.086.1231.0/10	1	box
42.2	2.3130.001.1	4	plug 1/8" gas
43	2.1631.717.0	2	roll pin 8 x 40
44	2.1579.626.0	2	spacer 13.2x16x11
45	2.0139.028.2	4	screw m 12
46	2.1699.191.0	1	bush 7x10x16
47	0.000.0000.1		cannot be supplied
47.1	0.065.1234.0/10	1	shaft
47.2	2.3130.001.1	1	plug 1/8" gas
48	2.1589.185.0	4	shoulder ring 26.1x34x1



9_33212_03_0_0

Section: ENGINE

CAMSHAFT



9_33213_00_0_0

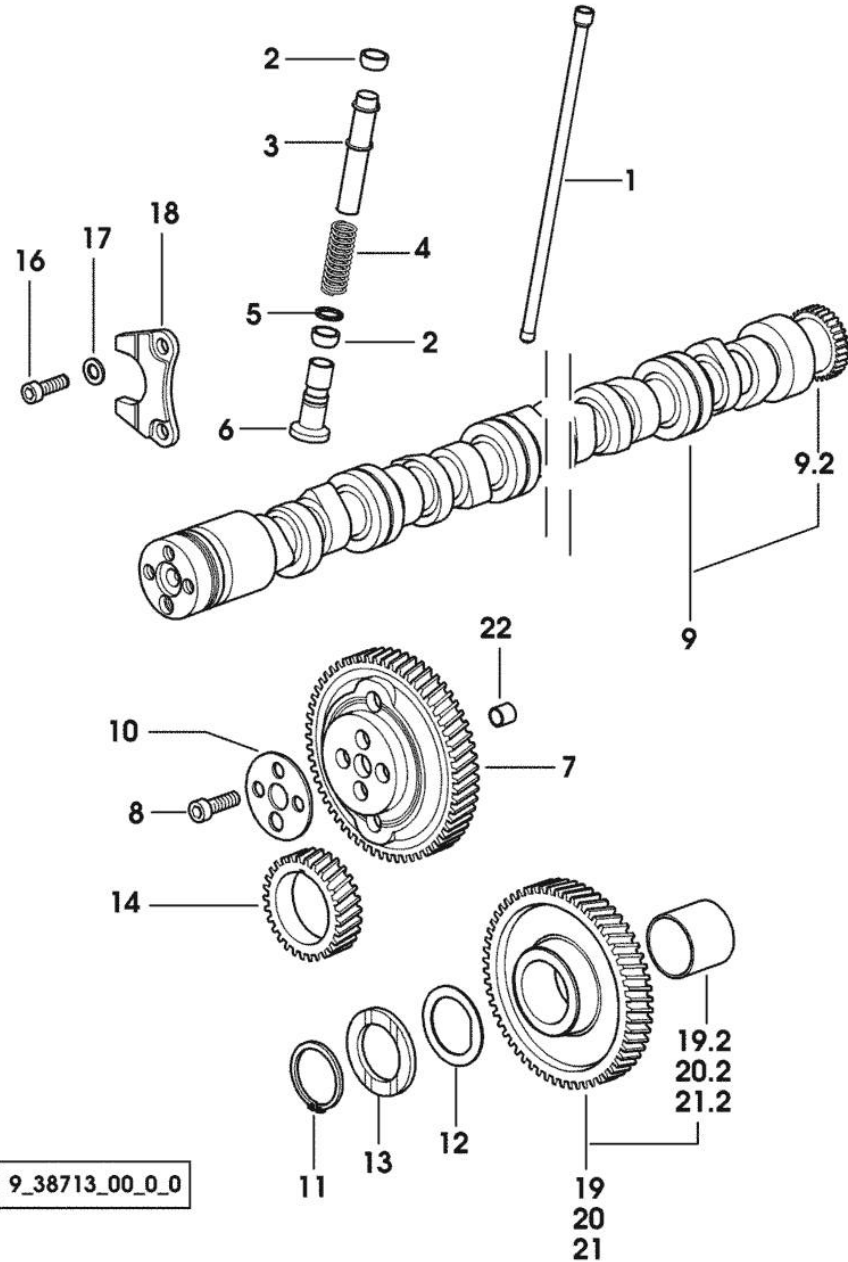
Fig.	P/n	QTY	Name
------	-----	-----	------

Notes:
[GOLDEN 85 compatto]

1	0.065.1331.2	8	rod
2	2.1569.114.0/10	16	gasket 14x18.5x8
3	0.065.1332.0	8	sleeve
4	2.4019.300.1/10	8	spring 18.5x52x2
5	2.1599.437.0	8	shoulder ring
6	0.065.1330.0	8	tappets
7	0.065.1354.0/20	1	gear z=58
8	2.0132.207.2	4	screw m 10 p.1 x 25
9	0.066.1310.3/40	1	camshaft
9.2	0.065.1324.0/10	1	gear Z = 32
10	0.065.1350.0	1	small disc
11	2.1410.016.1	1	circlip 40
12	0.065.1352.0	1	shim
13	0.065.1351.0	2	shoulder ring
14	0.065.1323.0/30	1	gear Z = 29
16	2.0312.205.2	2	screw
17	2.1480.014.1	2	washer 8
18	0.065.1353.0	1	small plate
19	0.007.1177.3/20		gear z = 57 - WITH RED IDENTIFICATION STAMP
19.2	2.1559.185.0/10	1	bushing gear z = 57
20	0.007.1178.3/20		- WITH YELLOW IDENTIFICATION STAMP
20.2	2.1559.185.0/10	1	bushing
21	0.007.1179.3/20	1	gear z = 57 - WITH GREEN IDENTIFICATION STAMP
21.2	2.1559.185.0/10	1	bushing
22	2.1559.398.0	1	bushing 10.5x13x12 -> 1355 X GOLDEN 75 Compatto -> 1166 X GOLDEN 85 Compatto

Section: ENGINE

CAMSHAFT



9_38713_00_0_0

Fig.	P/n	QTY	Name
------	-----	-----	------

Notes:
[GOLDEN 85 compatto]

1	0.065.1331.2	8	rod
2	2.1569.114.0/10	16	gasket 14x18.5x8
3	0.065.1332.0	8	sleeve
4	2.4019.300.1/10	8	spring 18.5x52x2
5	2.1599.437.0	8	shoulder ring
6	0.065.1330.0	8	tappets
7	0.065.1354.0/20	1	gear z=58
8	2.0132.207.2	4	screw m 10 p.1 x 25
9	0.007.1712.3/10	1	camshaft
9.2	0.065.1324.0/10	1	gear Z = 32
10	0.065.1350.0	1	small disc
11	2.1410.016.1	1	circlip 40
12	0.065.1352.0	1	shim
13	0.065.1351.0	2	shoulder ring
14	0.065.1323.0/30	1	gear Z = 29
16	2.0312.205.2	2	screw
17	2.1480.014.1	2	washer 8
18	0.065.1353.0	1	small plate
19	0.007.1177.3/20		gear z = 57 - WITH RED IDENTIFICATION STAMP
19.2	2.1559.185.0/10	1	bushing gear z = 57
20	0.007.1178.3/20		- WITH YELLOW IDENTIFICATION STAMP
20.2	2.1559.185.0/10	1	bushing
21	0.007.1179.3/20	1	gear z = 57 - WITH GREEN IDENTIFICATION STAMP
21.2	2.1559.185.0/10	1	bushing
22	2.1559.398.0	1	bushing 10.5x13x12 -> 1355 X GOLDEN 75 Compatto -> 1166 X GOLDEN 85 Compatto

Thank you so much for reading.
Please click the “Buy Now!”
button below to download the
complete manual.



After you pay.

You can download the most
perfect and complete manual in
the world immediately.

Our support email:

ebooklibonline@outlook.com