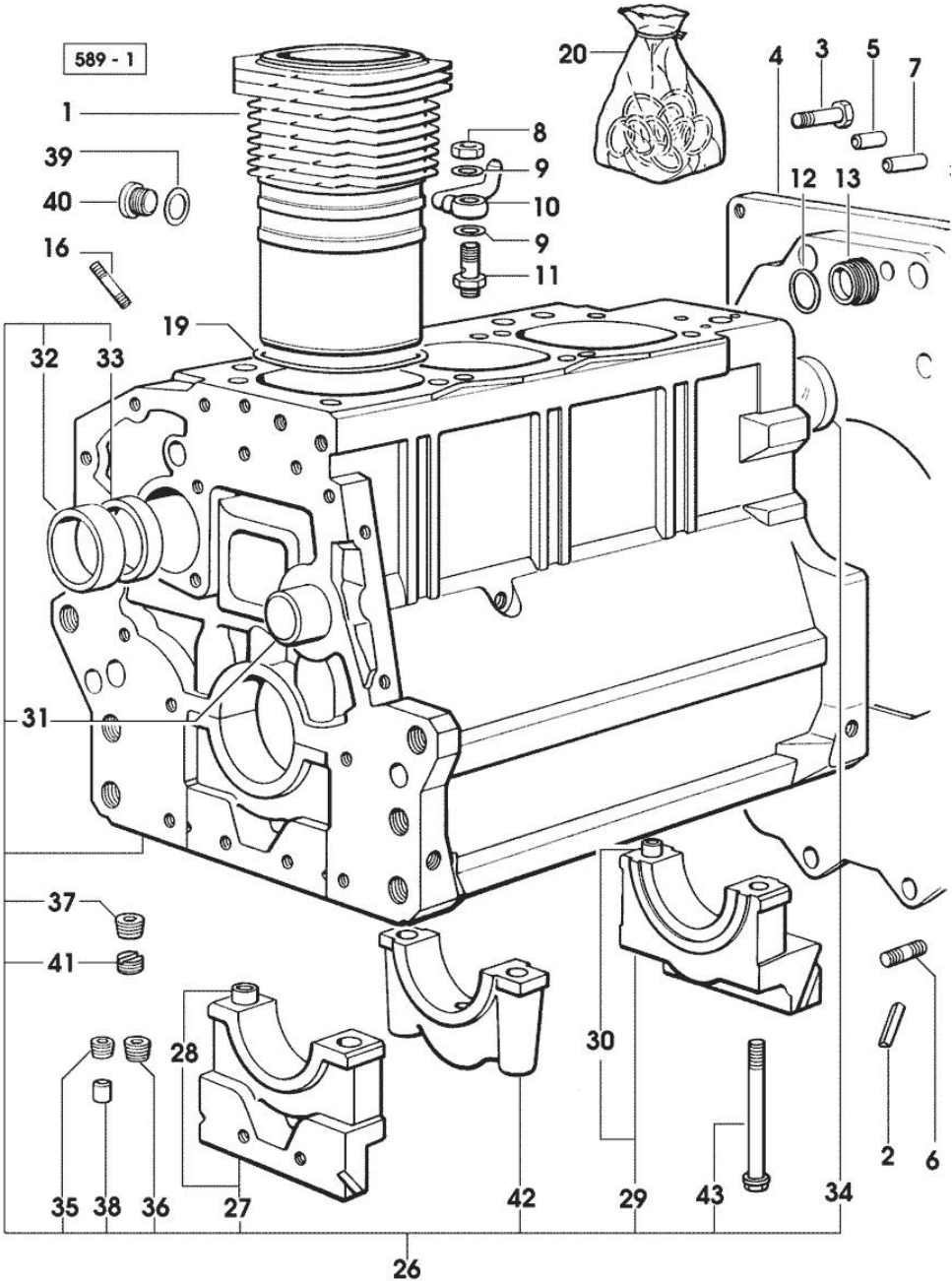


Section: ENGINE
CRANKCASE

Fig.	P/n	QTY	Name
------	-----	-----	------

Notes:
[H-306-XE]

1	0.007.0762.0/50	3	engine cylinder
2	0.066.1152.0/10	4	gasket
3	2.0112.511.1	8	screw m 14 p.2 x 30
4	0.007.1618.0/20	1	flange - X H-305-XE
4	0.007.7752.0/10	1	flange - X H-306-XE - H-307-XE
5	2.1651.912.0	2	cylindrical plug 12x28
6	2.0432.255.7	2	stud bolt m 12 p.1.75-1.25x25
7	2.1651.917.0	1	cylindrical plug 12x40
8	2.1099.108.2	3	special nut m 10 p.1
9	2.1560.006.0	6	gasket 10.2 x 16
10	0.086.1550.2	3	sprayer nozzle
11	0.065.1160.3/20	3	valve
12	2.1539.047.0	1	special oil seal 26.7x1.78
13	2.3199.405.2	1	plug m 28 p.1.5
16	2.0432.003.7	9	stud bolt m 8 p.1.25 / p.1 x 20
19	2.1539.130.0/10	3	special oil seal 117.07x3.53
20	0.085.0050.6/10	1	gasket set - X H-305-XE - H-306-XE - FOR ENGINE MOUNTING
20	0.351.0050.6/10	1	gasket set - X H-307-XE - FOR ENGINE MOUNTING
26	0.007.1150.6/10	1	crankcase * 2415 <= X H-305-XE * 2051 <= X H-306-XE * 3925 <= X H-307-XE - N.1 - 085.1750.2/10 - 009.7871.0
27	0.065.1112.7	1	support
28	2.1699.165.0	1	bush 12.3x15x16
29	0.065.1116.3	1	support
30	2.1699.165.0	1	bush 12.3x15x16
31	0.066.1151.0	1	pin
32	0.065.1141.0	1	special bushing 59X55X30
33	0.065.1140.0	3	special bushing 59X55X20
34	2.3179.012.0	1	plug 60
35	2.3130.001.1	9	plug 1/8" gas
36	2.3130.002.1	2	plug 1/4" gas
37	2.3130.003.1	7	plug 3/8" gas
38	2.3199.092.0	3	plug 8 x 12



Section: ENGINE
CRANKCASE

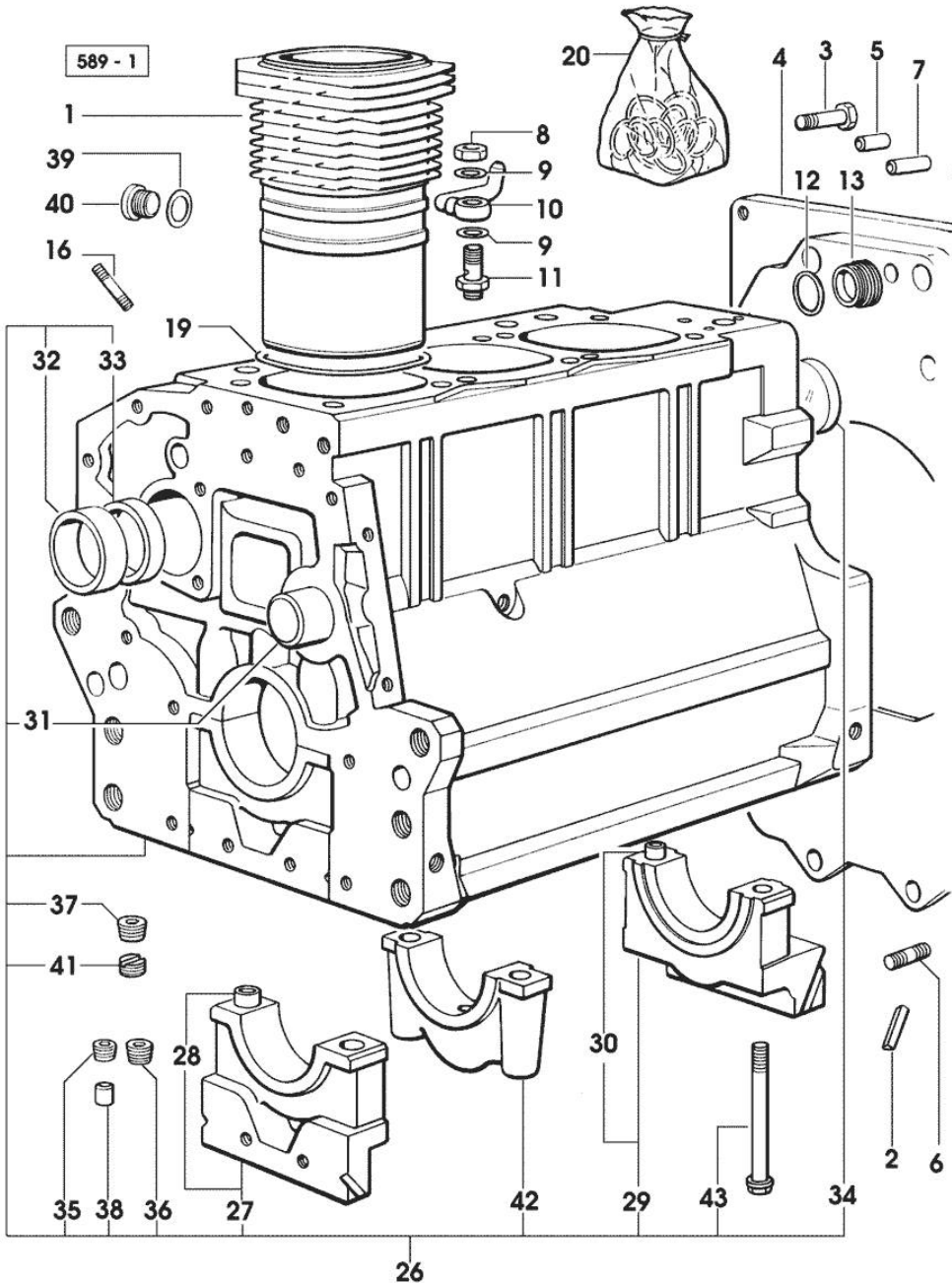


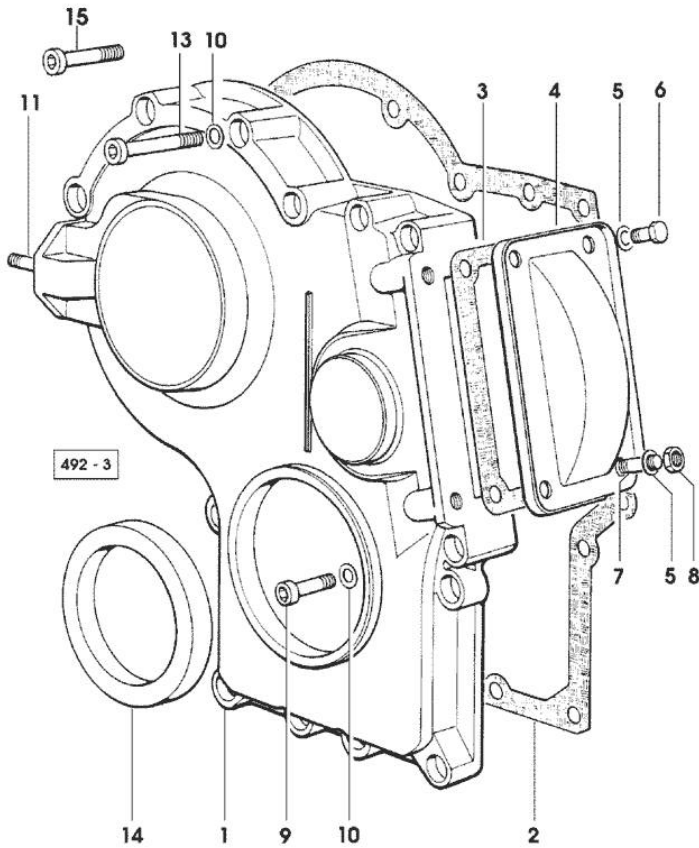
Fig.	P/n	QTY	Name
39	2.1560.017.0	1	gasket 22.2 x 27
40	2.3120.002.4	1	plug m 22 x 1.5 2415 <= X H 305-XE 2051 <= X H-306-XE 3925 <= X H-307-XE
41	2.1324.011.0	1	plug
42	0.065.1114.0/10	2	support
43	0.065.1117.0	8	screw m 12 x 100

Section: ENGINE
TIMING CASE

Fig.	P/n	QTY	Name
------	-----	-----	------

Notes:
[H-306-XE]

1	0.065.1132.0/60	1	guard
2	0.065.1150.0/30	1	gasket
3	0.065.1152.0	1	gasket
4	0.065.1151.0	1	cover
5	2.1470.004.2	4	lock washer 8
6	2.0112.205.2	2	screw m 8 p.1.25 x 16
7	2.0432.003.7	2	stud bolt m 8 p.1.25 / p.1 x 20
8	2.1011.405.2	2	nut m 8 p.1
9	2.0312.208.2	8	screw m 8 p.1.25 x 25
10	2.1480.014.1	15	washer 8
11	2.0432.003.7	2	stud bolt m 8 p.1.25 / p.1 x 20
13	2.0312.214.1	3	screw m 8 p.1.25 x 40
14	2.1529.141.0	1	special oil seal
15	2.0312.219.2	4	screw m 8 p.1.25x65

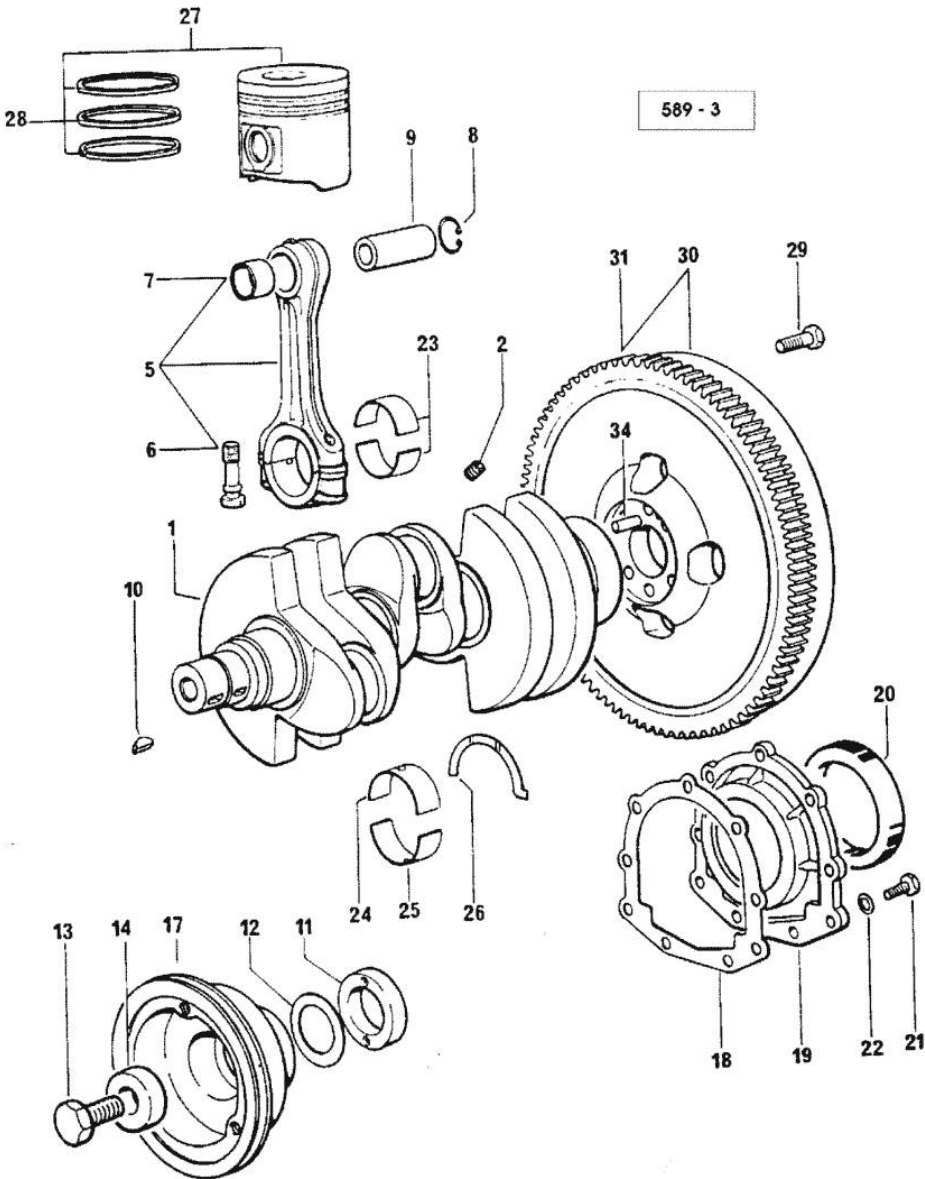


Section: ENGINE
CRANKSHAFT

Fig.	P/n	QTY	Name
------	-----	-----	------

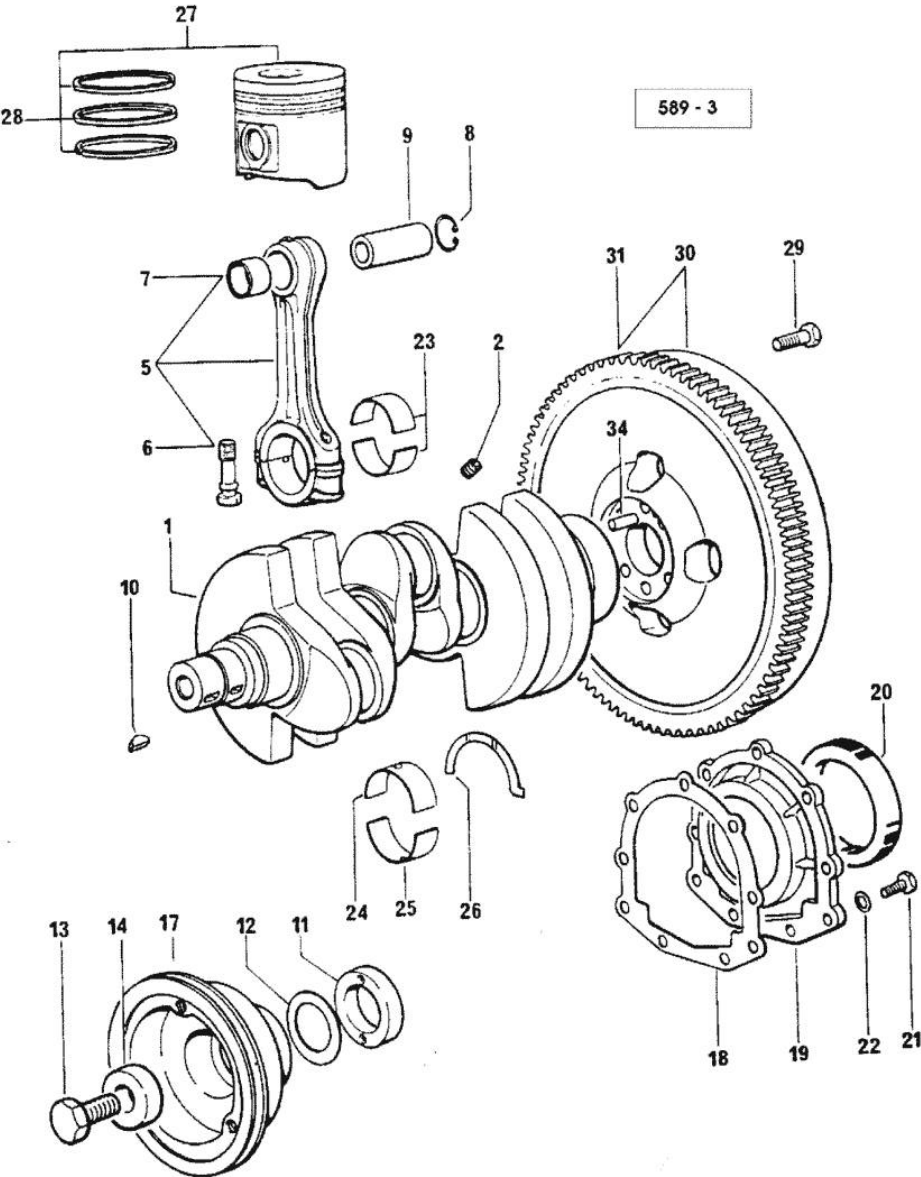
Notes:
[H-306-XE]

1	0.007.1554.0/20	1	crankshaft
2	2.3130.001.1	3	plug 1/8" gas
5	0.078.1220.3/30	3	engine connecting rod
6	2.0399.213.0	6	screw m 12 p.1.25x61.5
7	2.1559.114.0/10	3	special bushing
8	2.1411.014.1	6	circlip 35
9	0.078.1236.0	3	piston pin Ø 18 / Ø 35 / L = mm 86
10	2.1720.006.0	2	key 4x6.5
11	0.085.1248.0/10	1	hub
12	2.1589.189.0	3	shoulder ring mm 1.00
13	2.0399.144.7/10	1	screw m 20 p.1.5x51
14	2.1599.524.7	1	washer 21x60x12
17	0.007.1330.0/30	1	pulley
18	0.065.1254.0/20	1	gasket
19	0.007.1711.0/10	1	cover
20	2.1529.073.0	1	special oil seal 110x130x13
21	2.0112.207.2	9	screw m 8 p 1.25 x 20
22	2.1475.002.2	9	conical washer 8
23	0.065.1225.0	6	con.rod half bushing STANDARD - A = 28.75 -> 29.00
23	0.065.1225.7		con.rod half bushing - mm 0.25
23	0.065.1225.8		con.rod half bushing - mm 0.50
24	0.065.1215.0	4	main half bushing STANDARD
24	0.065.1215.7		main half bushing - mm 0.25
24	0.065.1215.8		main half bushing - mm 0.50
25	0.065.1216.0	4	main half bushing
25	0.065.1216.7		main half bushing - mm 0.25
25	0.065.1216.8		main half bushing - mm 0.50
26	0.065.1218.0	4	shim STANDARD
26	0.065.1218.7		shim + mm 0.10
26	0.065.1218.8		shim + mm 0.15
27	0.086.0060.6/30	3	complete piston - X H-305-XE - H-306-XE
27	0.338.0060.6/20	3	complete piston - X H-307-XE
27	0.379.0060.6	3	complete piston - X H-305-XE - H-306-XE - EXPORT U.S.A.
27	0.381.0060.6	3	complete piston - X H-307-XE - EXPORT U.S.A.
28	0.086.0052.6/10	1	piston ring set



Section: ENGINE
CRANKSHAFT

Fig.	P/n	QTY	Name
28	0.338.0052.6	1	- X H-305-XE - H-306-XE piston ring set
29	2.0119.174.0/10	6	- X H-307-XE screw m 12 p.1.25x45
30	0.007.1616.3/10	1	flywheel - X H-305-XE
30	0.007.1617.3/10	1	flywheel - X H-306-XE - H-307-XE
31	0.069.1242.0	1	crown wheel Z = 121
34	2.1652.915.0	1	cylindrical plug 12x35



Section: ENGINE

CAMSHAFT

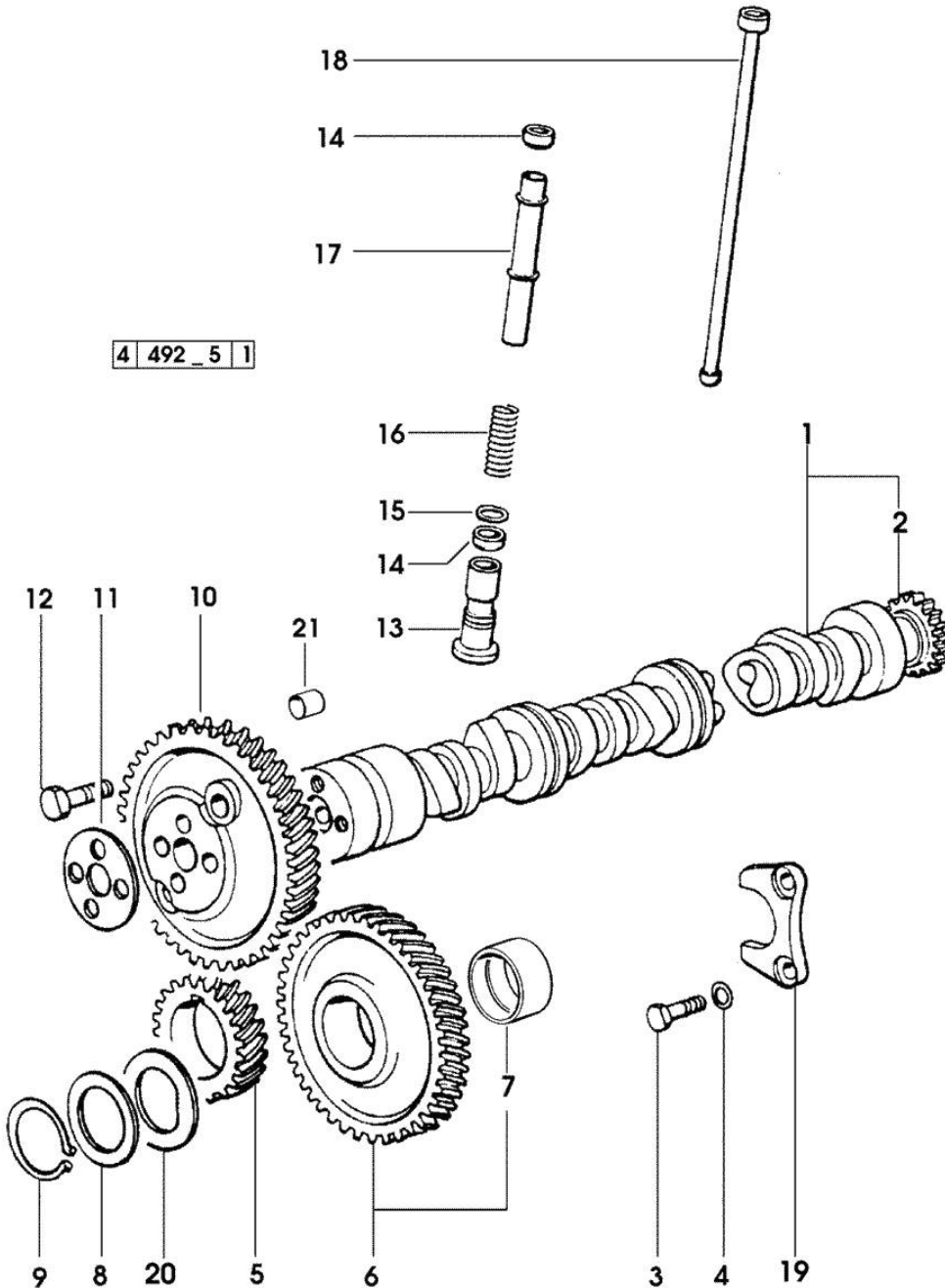


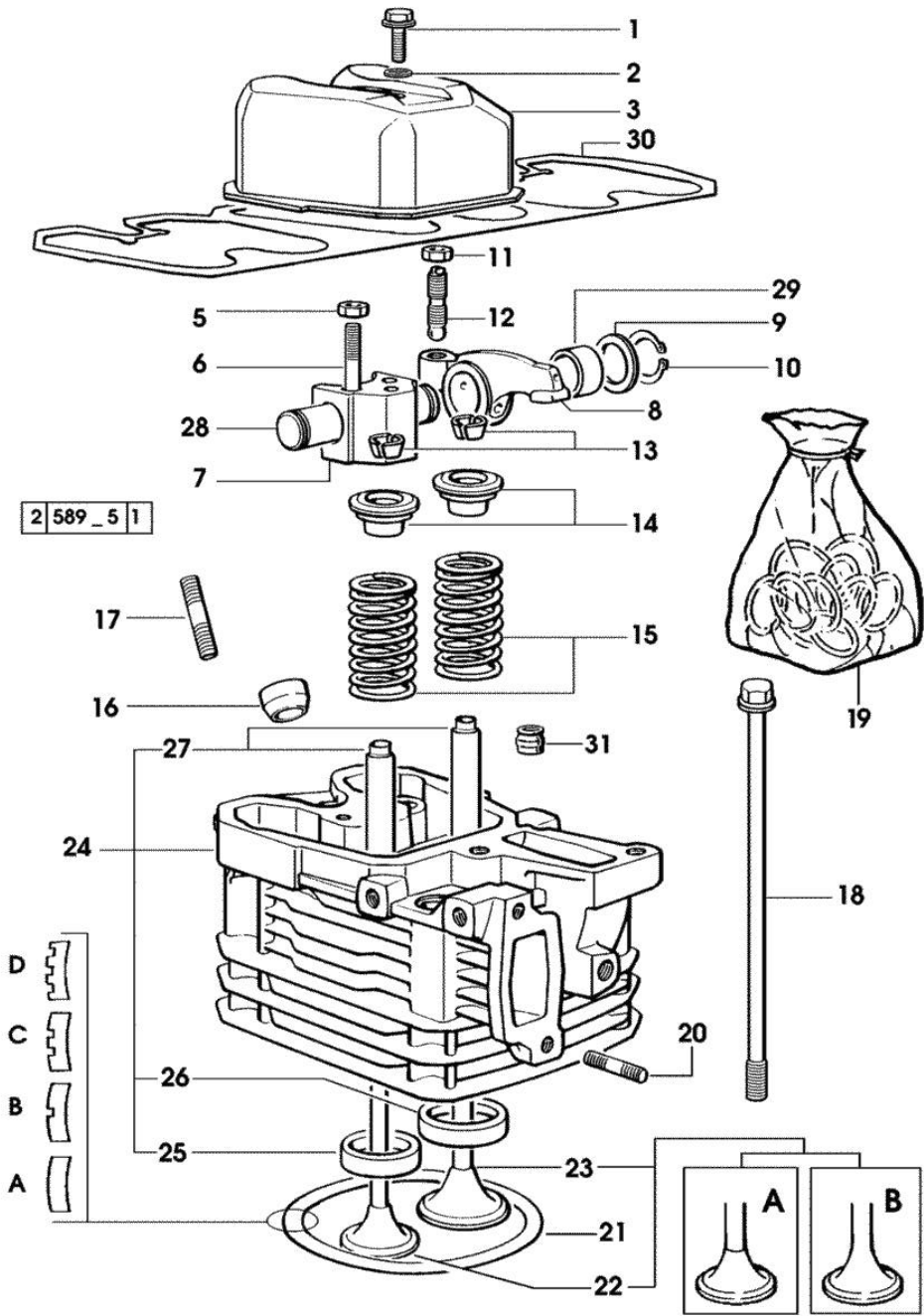
Fig.	P/n	QTY	Name
------	-----	-----	------

Notes:
[H-306-XE]

1	0.009.7456.3/10	1	camshaft - EXPORT U.S.A.
1	0.070.1310.3/40	1	camshaft
2	0.065.1324.0/10	1	gear Z = 32
3	2.0312.206.2	2	screw m 8 p 1.25 x 20
4	2.1480.014.1	2	washer 8
5	0.065.1323.0/30	1	gear Z = 29
6	0.007.1177.3/10		gear z = 57 - WITH RED IDENTIFICATION STAMP
6	0.007.1178.3/10		gear z = 57 - WITH YELLOW IDENTIFICATION STAMP
6	0.007.1179.3/10		gear z = 57 - WITH GREEN IDENTIFICATION STAMP
7	2.1559.185.0/10	1	bushing
8	0.065.1352.0	1	shim
9	2.1410.016.1	1	circlip 40
10	0.065.1354.0/20	1	gear z=58
11	0.065.1350.0	1	small disc
12	2.0132.207.2	4	screw m 10 p.1 x 25
13	0.065.1330.0	6	tappets
14	2.1569.114.0/10	12	gasket 14x18.5x8
15	2.1599.437.0	6	shoulder ring
16	2.4019.300.1/10	6	spring 18.5x52x2
17	0.065.1332.0	6	sleeve
18	0.065.1331.2	6	rod
19	0.065.1353.0	1	small plate
20	0.065.1351.0	2	shoulder ring
21	2.1559.398.0	1	bushing 10.5x13x12

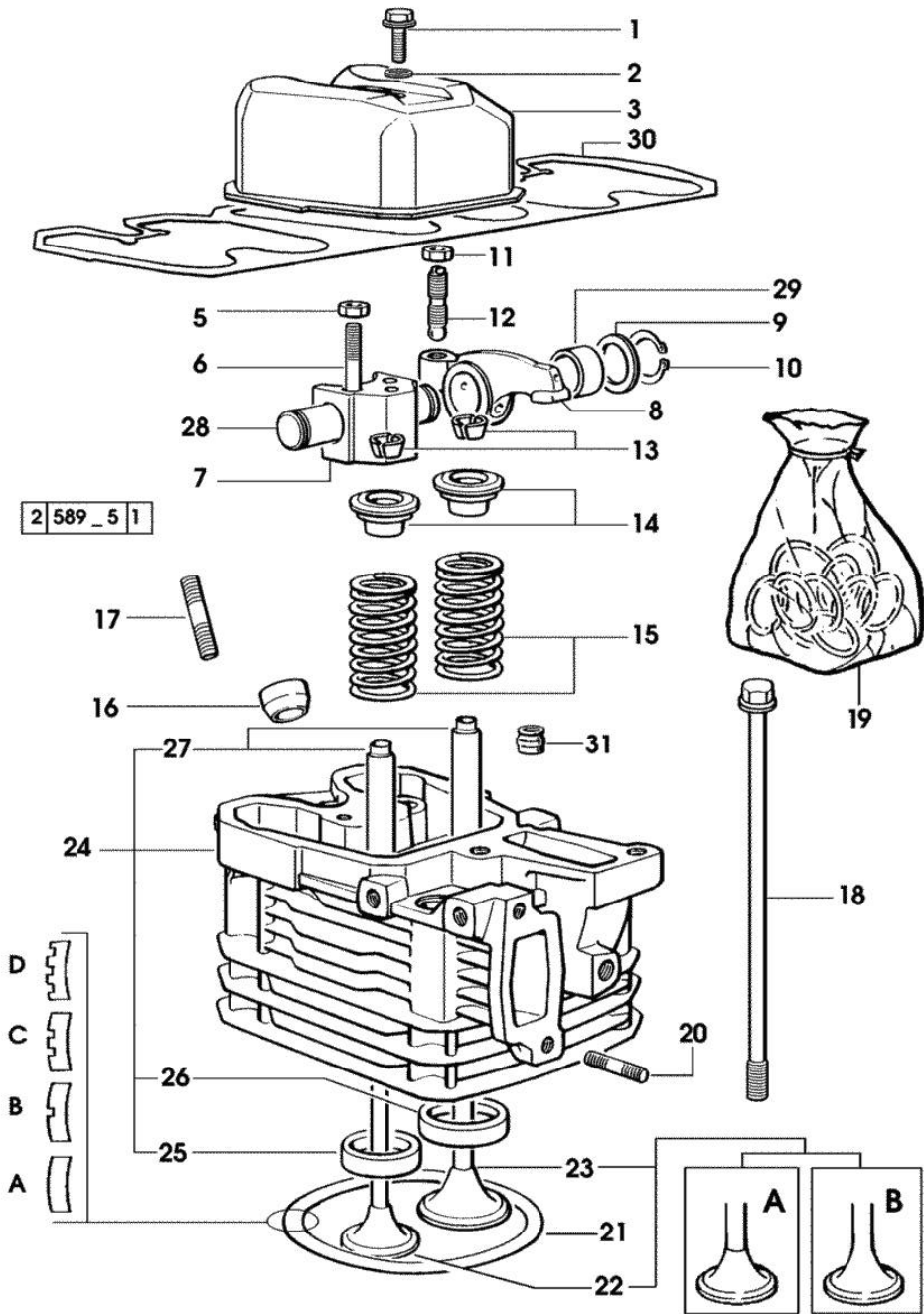
Section: ENGINE
CYLINDER HEAD

Fig.	P/n	QTY	Name
Notes: [H-306-XE]			
1	2.0399.130.2	3	screw m 8 x 30 2798 <= X H-305-XE 2362 <= X H-306-XE (...) <= X H-307-XE
1	2.0399.130.2/10	3	screw m 8x36x44 => 2799 X H-305-XE => 2363 X H-306-XE => (...) X H-307-XE
2	2.1569.170.0/10	3	gasket 8.2 x 14
3	0.007.1139.0/10	3	small cap * 2798 <= X H-305-XE * 2362 <= X H-306-XE * (...) <= X H-307-XE - N.1 2.0399.130.2/10
5	2.1011.421.2	6	nut m 10 p.1.25
6	2.0432.163.7	6	stud bolt m 10 p.1.5 / p.1.25 x 45
7	0.066.1430.0/10	3	support
8	0.066.1432.0	6	rocker arm
9	2.1599.432.0	6	shoulder ring
10	2.1410.055.1	6	circlip 19
11	2.1011.405.2	2	nut m 8 p.1
12	0.021.1434.0	6	screw
13	0.074.1423.0	12	conical valve cotter
14	0.066.1425.0	6	cup
15	2.4019.287.0	6	spring
16	0.007.1122.0/10	3	bush L = mm 6.4
17	2.0432.161.7	3	stud bolt m 10 p.1.5 / p.1.25 x 40
18	0.065.1443.0/20	12	screw
19	0.085.0057.6		gasket set - FOR 1 CYLINDER VALVE GRINDING AND PISTON RINGS REPLACEMEN
20	2.0432.007.2	6	stud bolt m 8 p.1.25 / p.1 x 30
21	0.085.1450.0		head gasket mm 0.5 -A-
21	0.085.1451.0		head gasket mm 0.7 -B-
21	0.085.1452.0		head gasket mm 1.0 -C-
21	0.085.1453.0		head gasket mm 0.8 -D-
22	0.010.6022.0	3	exhaust valve mm 39.1 / Ø mm 9 - X H-307-XE -> (...) = B
22	0.066.1421.0	3	exhaust valve - X H-305-XE - H-306-XE - X H-307-XE (...) <- = A



Section: ENGINE
CYLINDER HEAD

Fig.	P/n	QTY	Name
23	0.010.6016.0	3	inlet valve mm 43.63 / Ø mm 9 - X H-305-XE - H-306-XE
23	0.010.6017.0	3	inlet valve mm 43.63 / Ø mm 9 - X H-307-XE -> (...) = B
23	0.081.1420.0	3	inlet valve Ø mm 9 - X H-307-XE (...) <= A
24	0.007.1110.3/50	3	engine head - X H-305-XE - H-306-XE - X H-307-XE (...) <= A
24	0.007.1359.3/50	3	engine head - X H-307-XE -> (...) = B
25	0.066.1427.0	3	valve seat
26	0.078.1426.0	3	valve seat
27	0.007.1779.0/10	6	valve guide
28	0.066.1431.0	3	pin
29	2.1559.021.0/40	6	bushing 15x19x22
30	0.069.1450.0/30	1	tappet gasket
31	2.1519.117.0	6	special oil seal

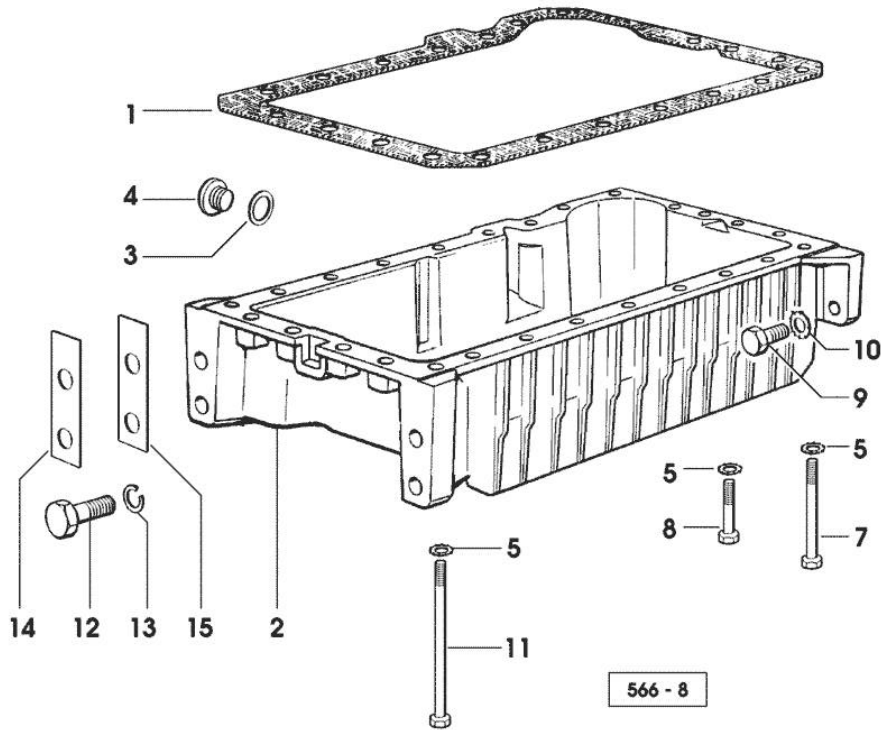


Section: ENGINE
LUBRICATION

Fig.	P/n	QTY	Name
------	-----	-----	------

Notes:
 [H-306-XE]

1	0.007.0614.0/10	1	gasket
2	0.007.1422.0/40	1	oil sump
3	2.1560.054.0	1	gasket 21 x 26
4	2.3199.001.2	1	plug 1/2" gas
5	2.1470.004.2	22	lock washer 8
7	2.0112.226.2	7	screw m 8 p.1.25 x 85
8	2.0112.215.2	13	screw m 8 p.1.25 x 40
9	2.0112.411.2	4	screw m 12 p.1.75 x 30
10	2.1470.007.2	4	lock washer 12
11	2.0112.239.2	2	screw m 8 p.1.25 x 150
12	2.0112.720.1	4	screw m 18 p.2.5 x 55
13	2.1475.007.7	4	washer 18
14	0.008.8586.0/10	4	shim mm 0.20
15	0.008.8587.0/10	8	shim mm 0.50



Section: ENGINE
LUBRICATION

589 - 7 1

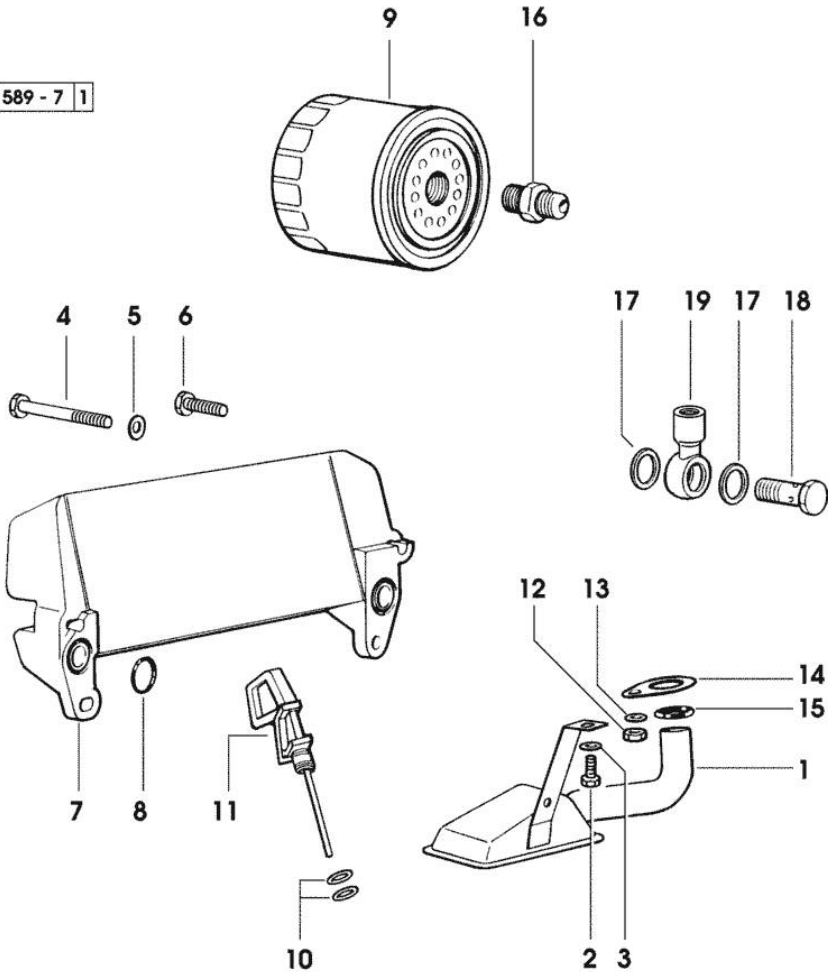


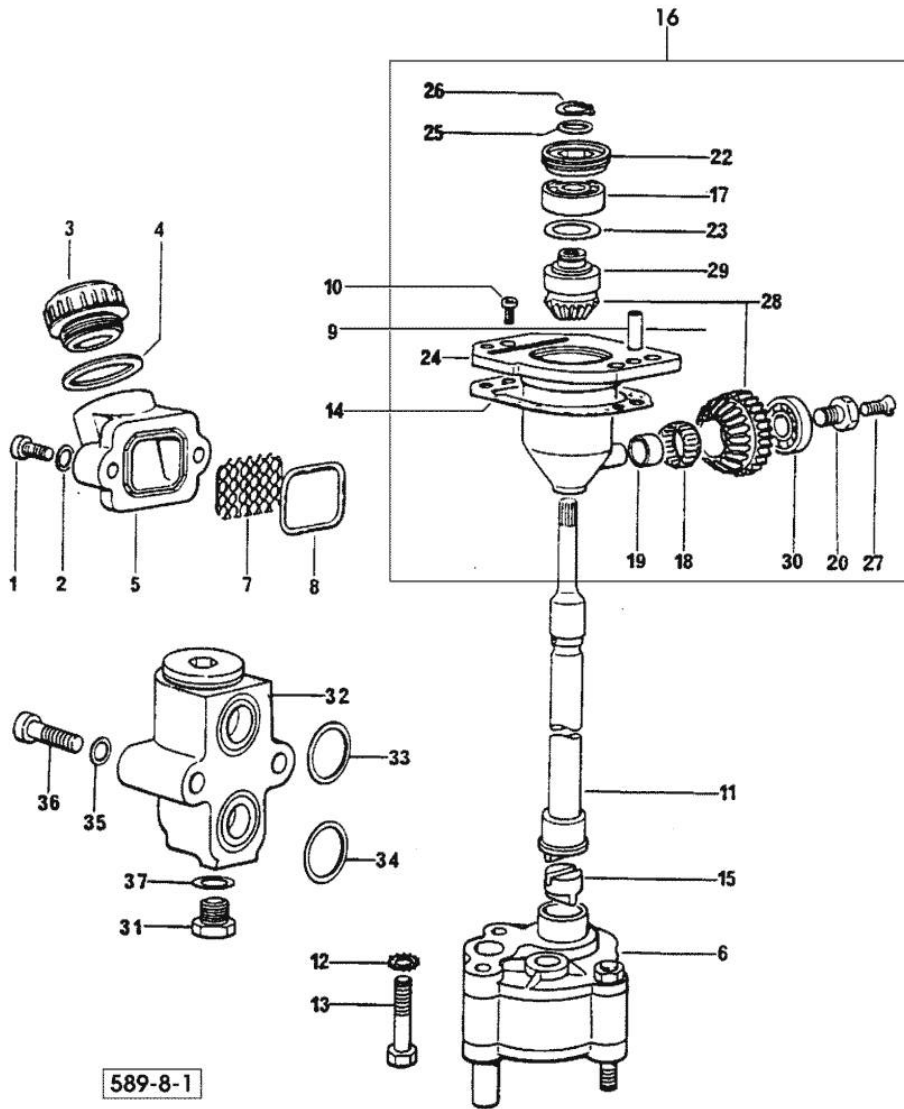
Fig.	P/n	QTY	Name
Notes:			
[H-306-XE]			
1	0.007.1425.3	1	tube
2	2.0112.205.2	1	screw m 8 p.1.25 x 16
3	2.1470.004.2	1	lock washer 8
4	2.0312.216.2	2	screw m 8 p.1.25x50
5	2.1310.004.2	2	flat washer 8.4x17
6	2.0399.125.2/10	2	screw m 8 x 55
7	0.007.1369.3	1	oil cooler
7	0.007.7319.3	1	oil cooler - X H-305-XE
8	2.1539.048.0	2	special oil seal 20.35x1.78
9	0.044.1567.0	1	oil filter element - X H-305-XE - H-306-XE
9	2.4419.340.0	1	oil filter element - X H-307-XE
10	2.1539.065.0	2	special oil seal 8.73 x 1.78
11	0.085.1513.2/20	1	dipstick
12	2.1011.105.2	1	nut m 8 p.1.25
13	2.1470.004.2	1	lock washer 8
14	0.065.1538.0	1	flange
15	2.1539.040.0	1	special oil seal 21.82 x 3.53
16	2.3339.307.0	1	pipe fitting m 22 p.1.5-3/4"
17	2.1560.008.0	2	gasket 12.2 x 18 - X H-305-XE - H-306-XE
18	2.3339.448.2	1	pipe union m 12 p.1.75 - X H-305-XE - H-306-XE
19	2.3249.014.2	1	pipe fitting m 12 p.1.5 - X H-305-XE - H-306-XE

Section: ENGINE
LUBRICATION

Fig.	P/n	QTY	Name
------	-----	-----	------

Notes:
[H-306-XE]

1	2.0312.206.2	2	screw m 8 p 1.25 x 20
2	2.1480.014.1	2	washer 8
3	0.041.1135.4	1	plug 1" gas
4	2.1569.072.0	1	gasket 32 x 39.5 x 2
5	0.065.1565.0/10	1	pipe union
6	0.010.5481.4	1	oil pump
7	0.065.1567.0/10	1	filter
8	2.1539.042.0	1	special oil seal 47.35x1.78
9	2.1651.711.0	2	pin 8 x 14
10	2.0169.005.2	2	screw m 6 p.1 x 12
11	0.065.1569.0/40	1	shaft
12	2.1470.006.2	2	lock washer 10
13	2.0112.323.2	2	screw m 10 p.1.5x70
14	0.065.1560.0/20	2	gasket
15	0.065.1562.0/10	1	joint
16	0.075.1551.4/20	1	support
17	2.2020.001.0	1	ball bearing 15 x 32 x 8.00
18	2.2725.016.0	1	roller cage 15 x 21 x 12
19	2.2680.020.0	1	ring 12 x 15 x 12
20	2.0399.128.2/10	1	screw m 8 p.1 x 8
22	2.1219.025.2/10	1	ring nut m 36 p.1.5
23	2.1589.148.0	1	shoulder ring 28.2 x 31.8 x 0.5
23	2.1589.150.0	2	shoulder ring 28.2 x 31.8 x 0.1
23	2.1589.151.0	2	shoulder ring 28.2 x 31.8 x 0.15
24	0.075.1551.3/30	1	support
25	2.1589.146.0	2	shoulder ring 15.2 x 19 x 0.15
25	2.1589.147.0	2	shoulder ring 15.2 x 19 x 0.10
25	2.1589.153.0	1	shoulder ring 15.2 x 19 x 1.00
26	2.1410.057.1	1	circlip 15
27	2.0342.007.2	1	screw m 4 p.0.7x25
28	0.065.1558.6/10	1	bevel drive
29	0.065.1559.0	1	bush
30	2.2030.002.0	1	ball bearing 12 x 28 x 8
31	2.3110.403.1	1	plug m 14 p.1.5x12
32	0.065.1581.4/20	1	valve
33	2.1539.048.0	1	special oil seal 20.35x1.78
34	2.1539.072.0	1	special oil seal 23.52 x 1.78
35	2.1480.014.1	2	washer 8
36	2.0312.215.1	2	screw m 8 p.1.25 x 45
37	2.1560.010.0	1	gasket 14.2 x 20



Thank you so much for reading.
Please click the “Buy Now!”
button below to download the
complete manual.



After you pay.

You can download the most
perfect and complete manual in
the world immediately.

Our support email:

ebooklibonline@outlook.com