

Section: ENGINE
CRANKCASE

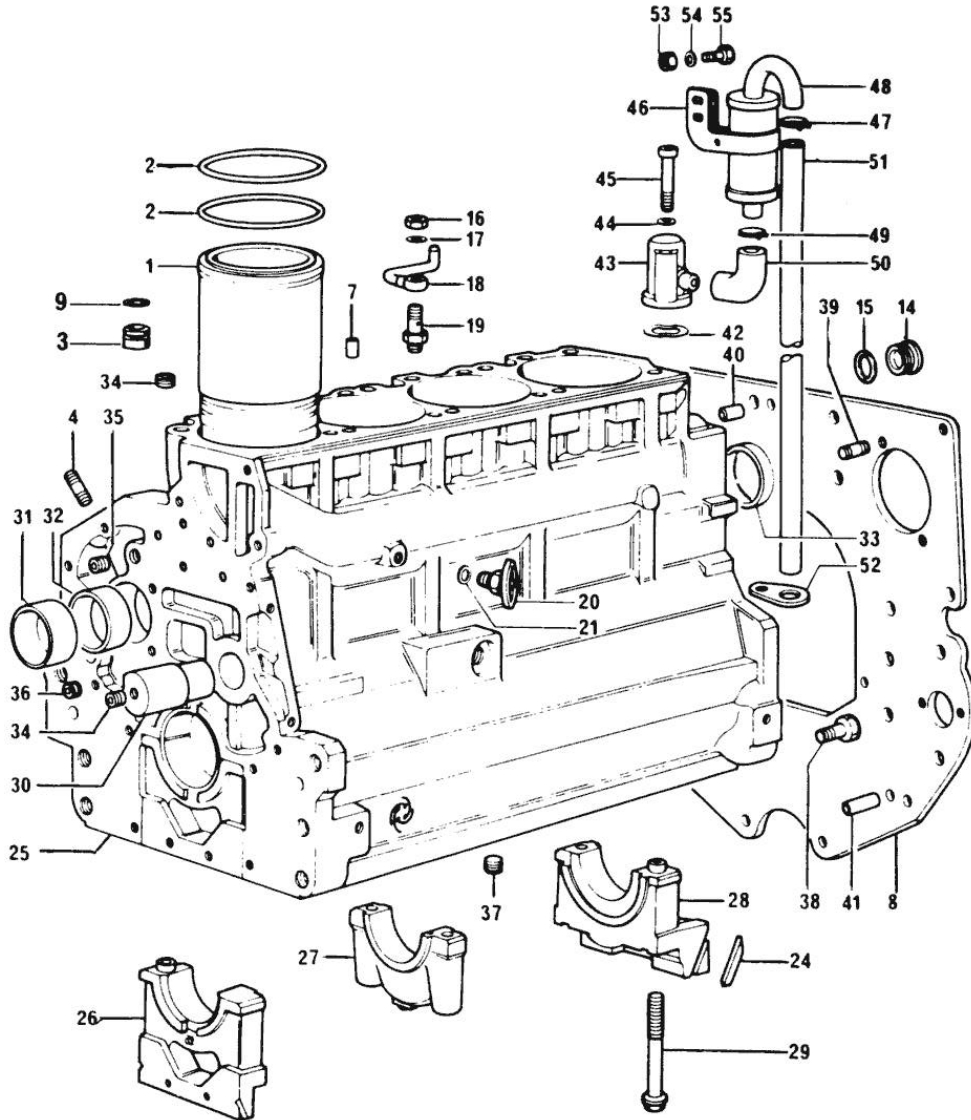


Fig.	P/n	QTY	Name
Notes:			
[H 466]			
0	0.066.0050.6	1	gasket set FOR INSTALLATION OF 916.4 W ENGINE
0	0.089.0050.6	1	gasket set FOR INSTALLATION OF 1000.4 W ENGINE
1	0.066.1120.0/10	4	engine cylinder X 916.4W
1	0.088.1120.0/10	4	engine cylinder X 1000.4 W
2	2.1519.096.0/10	4	oil seal 107.67x1.78
3	0.075.1152.0	4	bush
4	2.0439.154.0	12	old part number
7	2.1631.205.0	4	roll pin
8	0.066.1130.0	1	flange 1924<=
8	0.066.1130.0/20	1	flange =>1925
9	2.1539.071.0	4	special oil seal 11.11x1.78
14	2.3199.405.2	1	plug m 28 p.1.5
15	2.1539.047.0	1	special oil seal 26.7x1.78
16	2.1099.108.2	4	special nut m 10 p.1
17	2.1560.006.0	8	gasket 10.2 x 16
18	0.086.1550.2	4	sprayer nozzle
19	0.065.1160.3/10	4	old part number
20	0.049.1152.0	1	cock
21	2.1560.009.0	1	gasket 14.2x18
24	0.066.1152.0/10	4	gasket
25	9.06699.43.4	1	crankcase X 916.4W
25	9.08299.42.2	4	crankcase - X 916.4 W X 1000.4 W
26	0.065.1112.3	1	support
26	2.1699.165.0	1	bush 12.3x15x16
27	0.065.1114.7	3	support
28	0.065.1116.7	1	support
28	2.1699.165.0	1	bush 12.3x15x16
29	0.065.1117.0	10	screw m 12 x 100
30	0.066.1151.0	1	pin
31	0.065.1141.0	1	special bushing 59X55X30
32	0.065.1140.0	4	special bushing 59X55X20
33	2.3179.012.0	1	plug 60
34	2.3130.001.1	11	plug 1/8" gas

Section: ENGINE

CRANKCASE

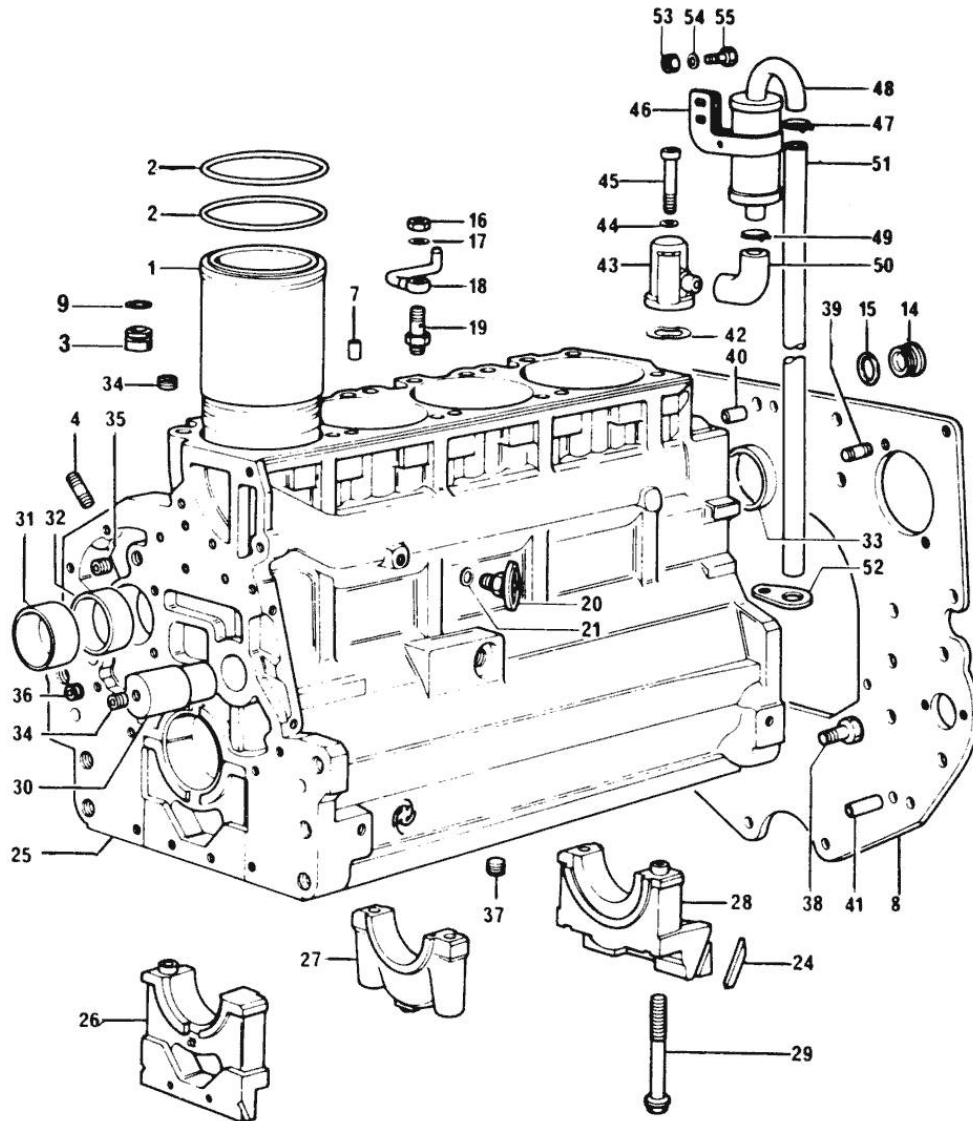


Fig.	P/n	QTY	Name
35	2.3130.002.1	2	plug 1/4" gas
36	2.3130.003.1	2	plug 3/8" gas
37	2.1324.011.0	1	plug X 1000.4 W
38	2.0112.511.1	8	screw m 14 p.2 x 30
39	2.0432.255.7	2	stud bolt m 12 p.1.75-1.25x25
40	2.1651.912.0	2	cylindrical plug 12x28
41	2.1651.917.0	1	cylindrical plug 12x40
42	0.065.1156.0	2	gasket
43	0.065.1143.3	1	body 1137<-
43	0.065.1143.3/10	1	body ->1138 - (...)<-
44	2.1470.004.2	2	lock washer 8
45	2.0312.219.2	2	screw m 8 p.1.25x65
46	2.6859.074.2/10	1	clamp ->1138 - (...)<-
47	2.6850.006.0	2	clamp 18-28 1137<-
47	2.6859.072.2	1	clamp ->1138 - (...)<-
48	0.065.1165.2	1	sediment bowl
49	2.6859.073.2	2	clamp ->1138 - (...)<-
50	0.065.1166.0	1	sleeve ->1138 - (...)<-
51	0.065.1155.0	1	old part number 1137<-
51	0.065.1155.0/10	1	tube ->1138 - (...)<-
52	0.065.1157.0	1	bracket
53	2.1011.103.2	1	nut m 6 p.1
54	2.1470.002.2	1	lock washer 6
55	2.0112.004.2	1	screw m 6 p.1 x 14

261-1 1

Section: ENGINE
TIMING CASE

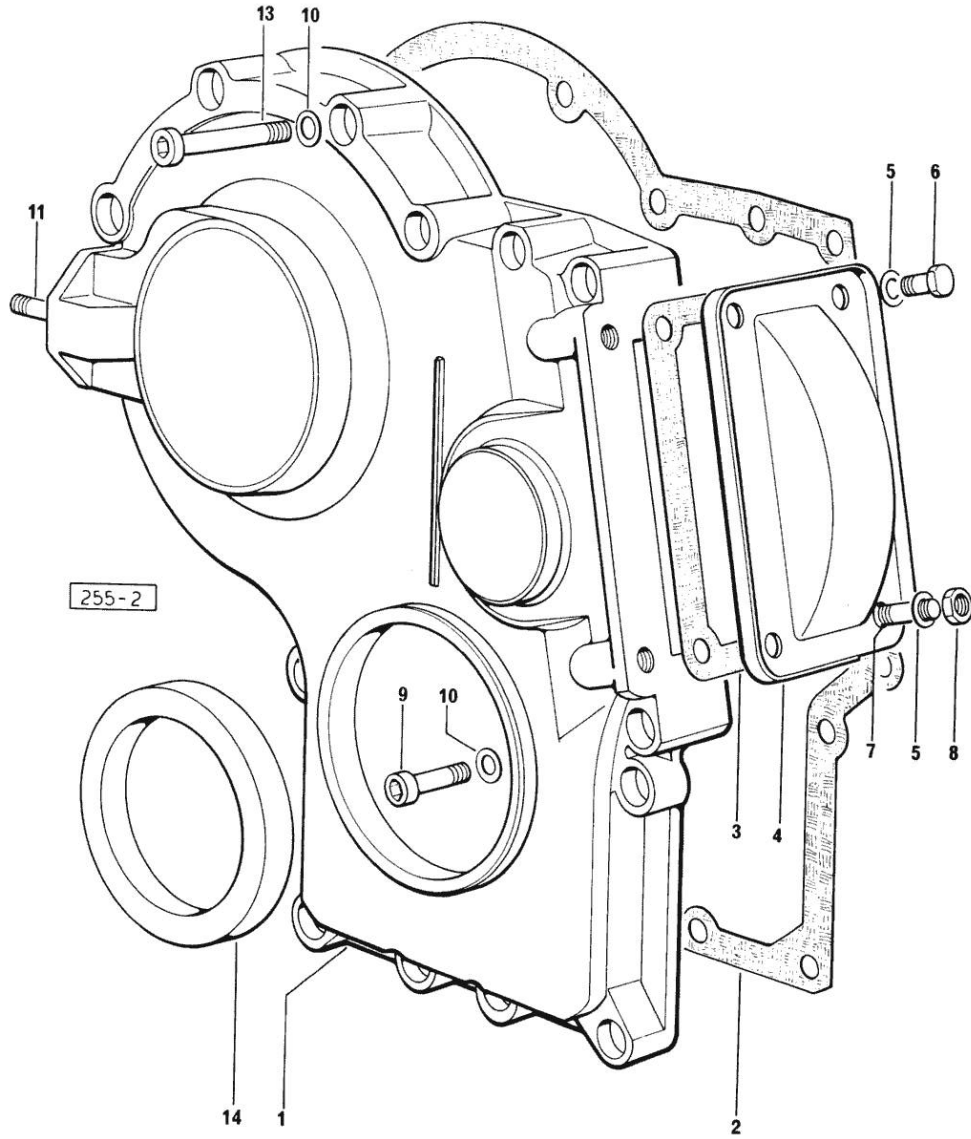


Fig.	P/n	QTY	Name
------	-----	-----	------

Notes:
[H 466]

1	0.065.1132.0/20	1	guard
2	0.065.1150.0/10	1	gasket
3	0.065.1152.0	1	gasket
4	0.065.1151.0	1	cover
5	2.1470.004.2	4	lock washer 8
6	2.0112.205.2	2	screw m 8 p.1.25 x 16
7	2.0432.001.7	2	stud bolt m 8 p.1.25 - 1.00 x 16
8	2.1011.405.2	2	nut m 8 p.1
9	2.0312.208.1	8	screw m 8 p.1.25 x 25
10	2.1480.014.1	15	washer 8
11	2.0439.154.1	2	old part number
13	2.0312.214.1	7	screw m 8 p.1.25 x 40
14	2.1529.072.0	1	oil seal

Section: ENGINE

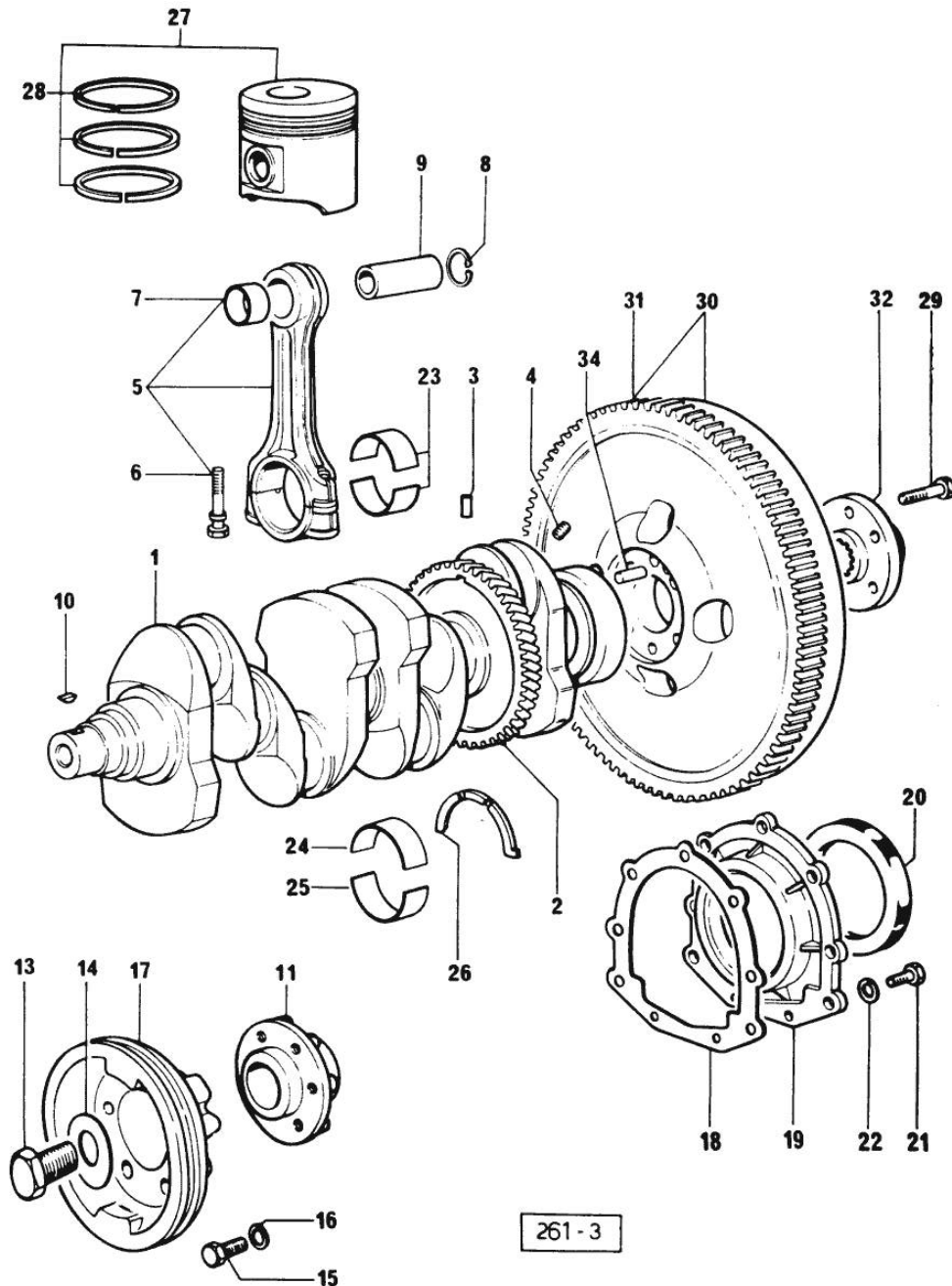
CRANKSHAFT

Fig.	P/n	QTY	Name
Notes:			
[H 466]			
1	0.065.1210.3/20	1	old part number 2624<=
1	0.066.1210.3/20	1	crankshaft =>2625 X 916.4W
1	0.086.1210.3	1	crankshaft X 1000.4 W
2	0.065.1211.0/10	1	crown wheel
3	2.1630.611.0	1	roll pin 6 x 24
4	2.3130.001.1	4	plug 1/8" gas
5	0.065.1220.3/10	4	engine connecting rod X 916.4W
5	0.078.1220.3/10	4	engine connecting rod - X 1000.4 W X 1000.4 W
6	2.0139.021.0	8	screw
7	0.065.1227.0	4	special bushing
7	2.1559.114.0/10	4	special bushing X 1000.4 W
8	2.1411.013.1	8	circlip 32 X 916.4W
8	2.1411.014.1	8	circlip 35 X 1000.4 W
9	0.065.1236.0	4	piston pin X 916.4W
9	0.078.1236.0	4	piston pin Ø 18 / Ø 35 / L = mm 86 X 1000.4 W
10	2.1720.006.0	2	key 4x6.5
11	0.065.1248.0/10	1	hub
13	2.0399.095.2/10	1	screw
14	2.1599.503.2	1	shoulder ring
15	2.0112.317.2	6	screw m 10 p.1.5 x 45
15	2.0112.320.2	6	screw m 10 p.1.5 x 55
15	2.0112.322.2	6	screw m 10 p.1.5x65
16	2.1470.006.2	6	lock washer 10
17	0.066.1244.0	1	pulley 2630<=
17	0.066.1244.0/10	1	pulley =>2631
17	0.075.1252.0	1	pulley 70x188x77,7 - FOR MODELS WITH UNDER ROOF AIR CONDITIONING
18	0.065.1254.0	1	gasket

CRANKSHAFT

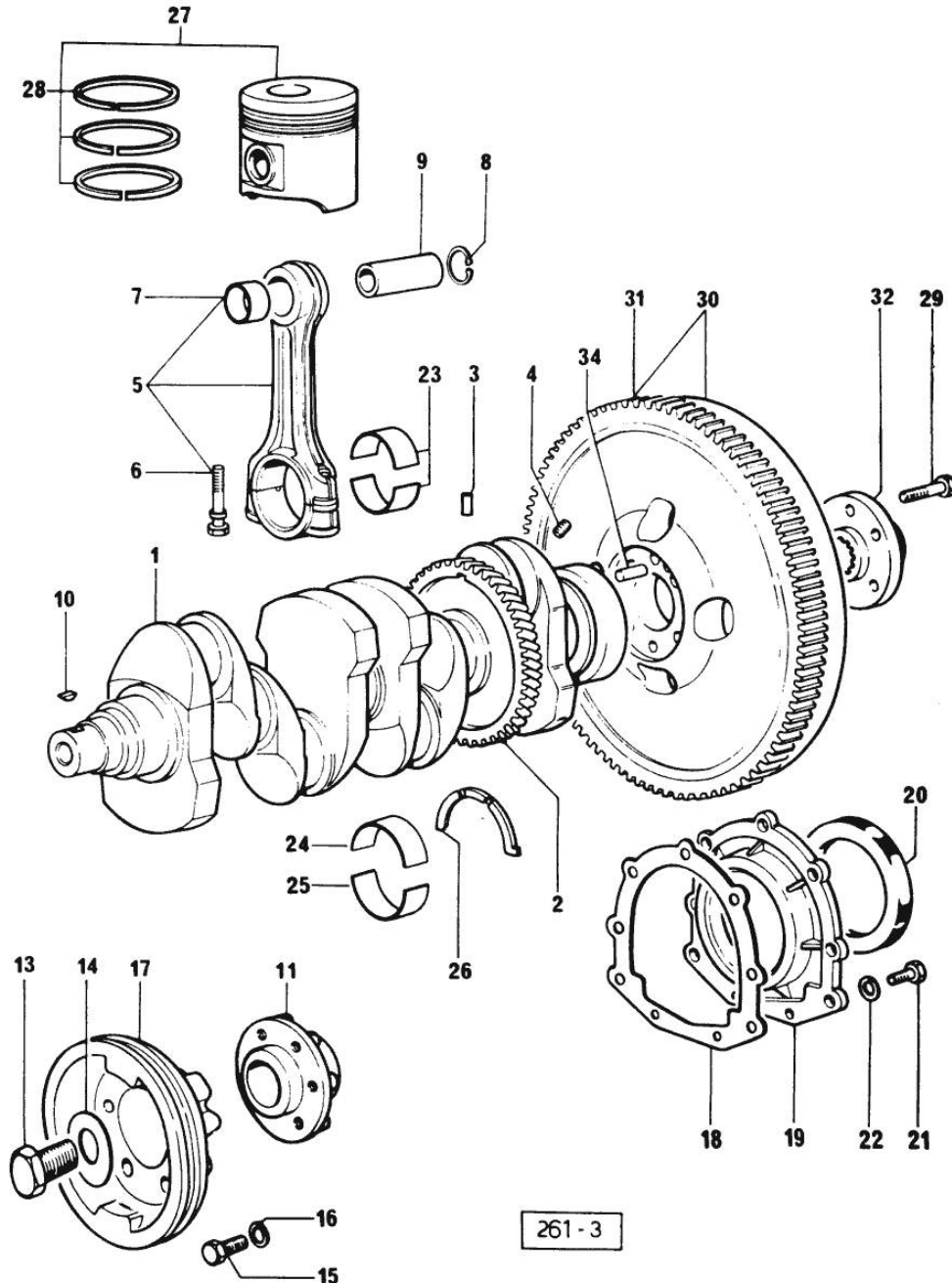


Fig.	P/n	QTY	Name
19	0.065.1253.0/10	1	cover
20	2.1529.073.0	1	special oil seal 110x130x13
21	2.0112.207.2	9	screw m 8 p 1.25 x 20
22	2.1474.009.2	9	spring washer 8
23	0.065.1225.0	8	con.rod half bushing STANDARD - A = 28.75 -> 29.00
23	0.065.1225.7	8	con.rod half bushing - mm 0.25
23	0.065.1225.8	8	con.rod half bushing - mm 0.50
24	0.065.1215.0	5	main half bushing STANDARD
24	0.065.1215.7	5	main half bushing - mm 0.25
24	0.065.1215.8	5	main half bushing - mm 0.50
25	0.065.1216.0	5	main half bushing
25	0.065.1216.7	5	main half bushing - mm 0.25
25	0.065.1216.8	5	main half bushing - mm 0.50
26	0.065.1218.0	4	shim STANDARD
26	0.065.1218.7	4	shim + mm 0.10
26	0.065.1218.8	4	shim + mm 0.15
27	0.065.0060.6	4	complete piston X 916.4W
27	0.085.0060.6	4	complete piston X 1000.4 W
28	0.065.0052.6	1	piston ring set X 916.4W
28	0.085.0052.6	1	piston ring set X 1000.4 W
29	2.0139.022.2	6	screw m 12 p.1.25x55
30	0.065.1247.3	1	flywheel 488<=
30	0.065.1247.3/30	1	flywheel =>489 - 838<= ORDER ALSO: 1x 0.255.2320.3/10 - 6x 2.0112.207.2 - 6x 2.1474.009.1 - 3x 2.1699.173.0
31	0.065.1242.0	1	crown wheel Z = 123
32	0.255.2525.0/10	1	flange
34	2.1652.915.0	1	cylindrical plug 12x35

Section: ENGINE
COUNTERWEIGHTS

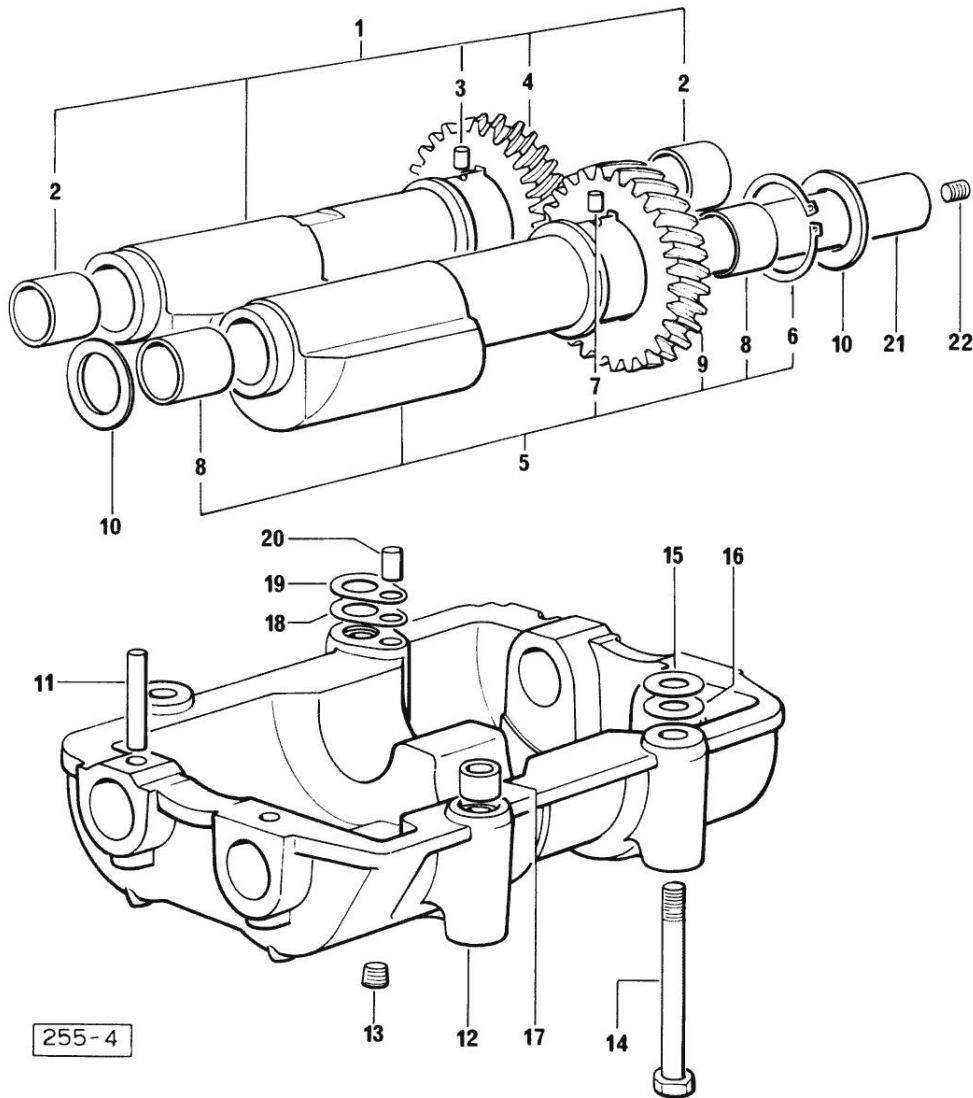


Fig.	P/n	QTY	Name
------	-----	-----	------

Notes:
 [H 466]

1	0.086.1233.3/10	1	mass
2	2.1559.115.0	2	special bushing 26x30x30
3	2.1652.302.0	1	roll pin 4x6
4	0.065.1237.0/10	1	gear
5	0.065.1233.3/10	1	mass
6	2.1410.018.1	1	circlip 45
7	2.1652.302.0	1	roll pin 4x6
8	2.1559.115.0	2	special bushing 26x30x30
9	0.065.1238.0	1	gear
10	2.1589.185.0	4	shoulder ring 26.1x34x1
11	2.1631.717.0	2	roll pin 8 x 40
12	0.086.1231.3	1	old part number
13	2.3130.001.1	1	plug 1/8" gas
14	2.0112.427.2	4	screw m 12 p.1.75 x 90
15	2.1589.048.0	2	shoulder ring 16.5x26x0.3
15	2.1589.049.0	2	shoulder ring 12.5x26x0.3
16	2.1579.628.0	2	spacer 16.5x26x0.1
16	2.1579.629.0	2	spacer 12.5x26x0.1
17	2.1579.626.0	2	spacer 13.2x16x11
18	2.1589.139.0	2	shoulder ring mm 0.3
19	2.1589.140.0	2	shoulder ring mm 0.1
20	2.1699.191.0	1	bush 7x10x16
21	0.065.1234.3	2	old part number
22	2.3130.001.1	2	plug 1/8" gas

Section: ENGINE

CAMSHAFT

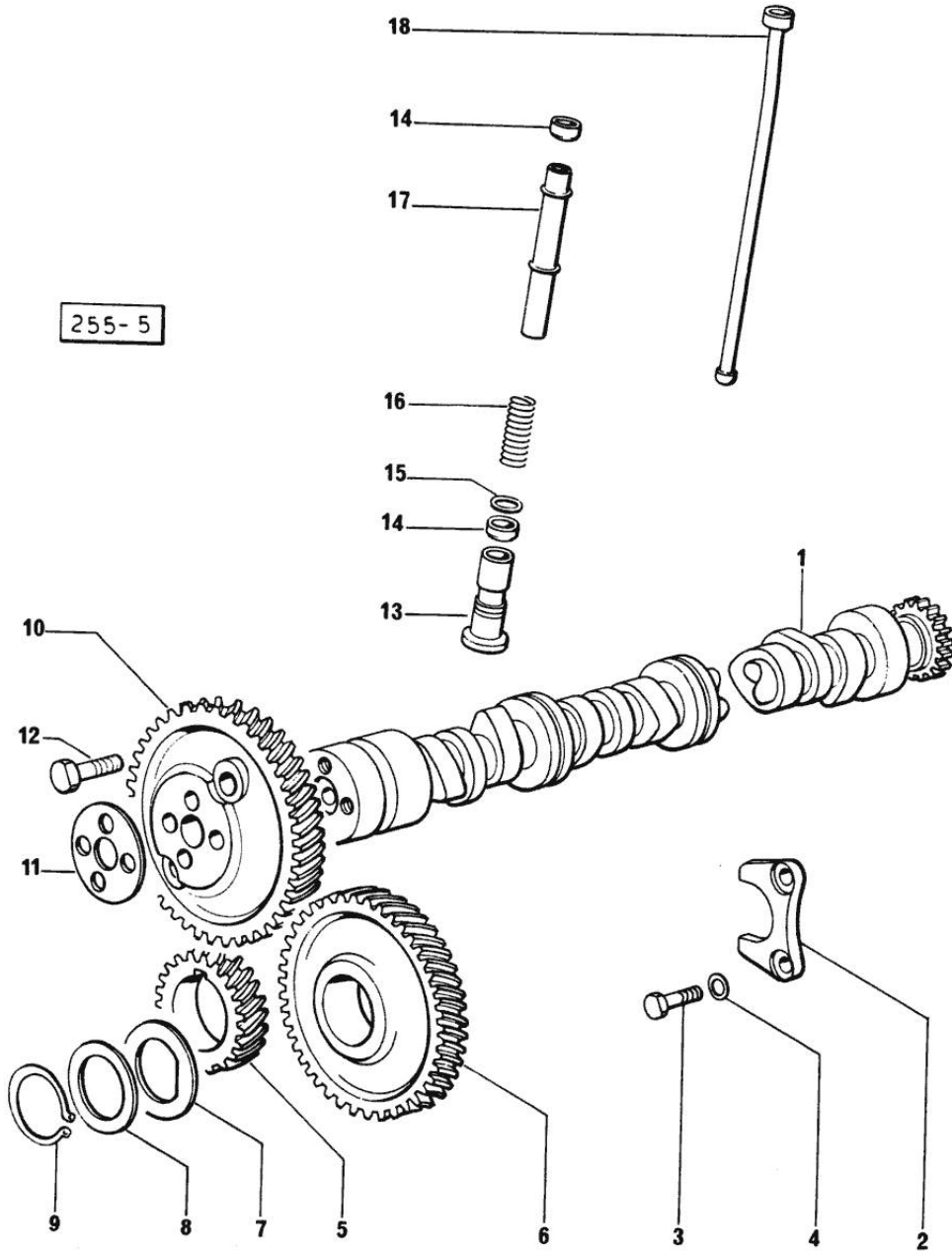


Fig.	P/n	QTY	Name
------	-----	-----	------

Notes:
[H 466]

1	0.065.1324.0	1	gear
1	0.066.1310.3/20	1	camshaft
2	0.065.1353.0	1	small plate
3	2.0312.205.2	2	screw
4	2.1480.014.1	2	washer 8
5	0.065.1323.0/20	1	gear Z = 29
6	0.065.1325.3/20	1	gear Z = 57
6	2.1559.185.0/10	1	bushing
7	065.1351.0	2	-
8	0.065.1352.0	1	shim
9	2.1410.016.1	1	circlip 40
10	0.065.1354.0/10	1	gear z=58
11	0.065.1350.0	1	small disc
12	2.0132.207.2	4	screw m 10 p.1 x 25
13	0.065.1330.0	8	tappets
14	2.1569.114.0	16	gasket
15	2.1599.437.0	8	shoulder ring
16	2.4019.300.1	8	spring
17	0.065.1332.0	8	sleeve
18	0.065.1331.2	8	rod

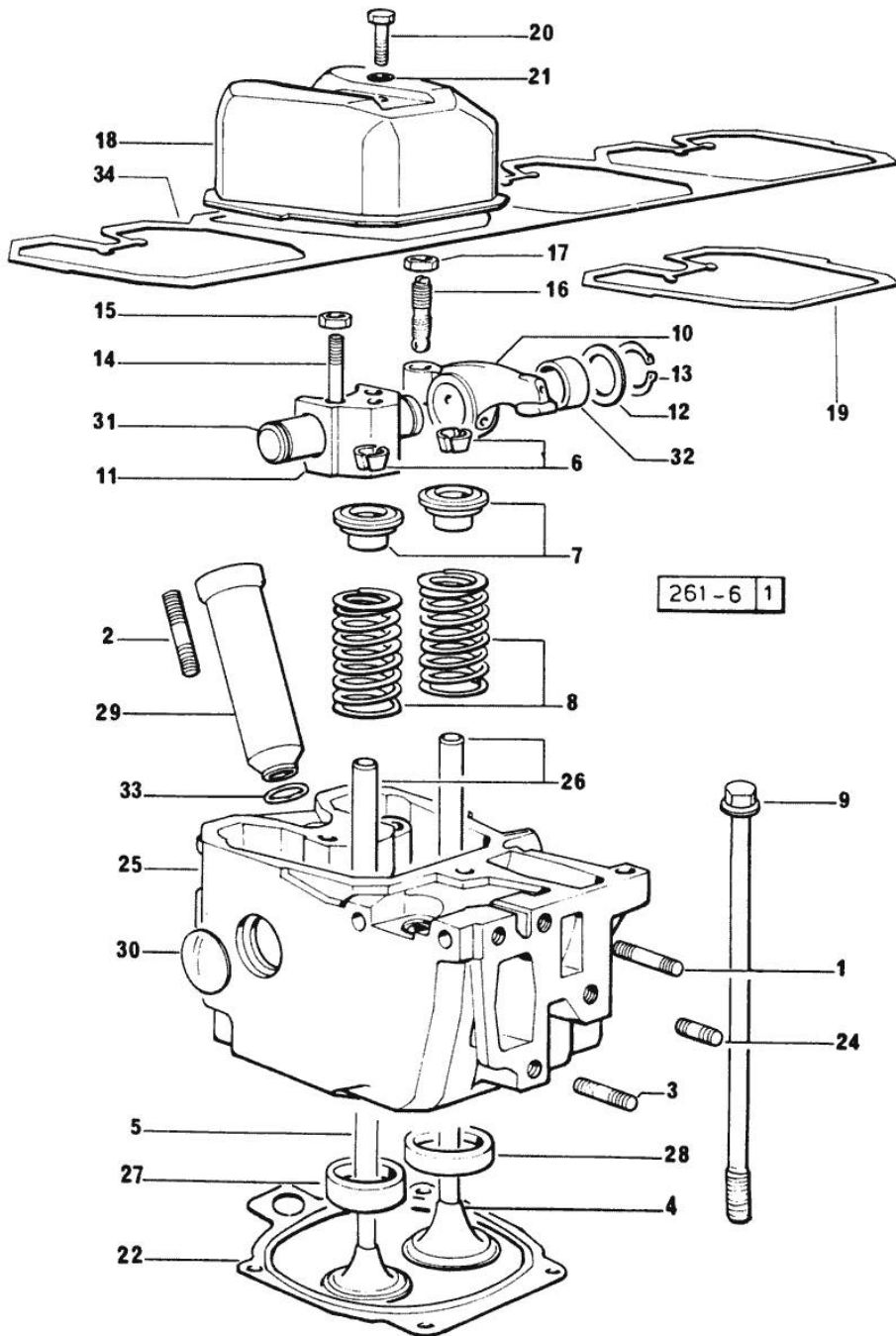
Section: ENGINE
CYLINDER HEAD

Fig.	P/n	QTY	Name
Notes:			
[H 466]			
1	2.0432.011.7	4	stud bolt m 8 p.1.25 / p.1 x 40
2	2.0432.161.7	4	stud bolt m 10 p.1.5 / p.1.25 x 40
3	2.0432.007.7	8	stud bolt m 8 p.1.25 / p.1 x 30
4	0.066.1420.0	4	inlet valve Ø mm 9 X 916.4W
4	0.078.1420.0	4	inlet valve X 1000.4 W
5	0.066.1421.0	4	exhaust valve
6	0.074.1423.0	8	conical valve cotter
7	0.066.1425.0	8	cup
8	2.4019.287.0	8	spring
9	0.066.1443.0/10	16	screw
10	0.066.1432.0	8	rocker arm
11	0.066.1430.0	4	support
12	2.1599.432.0	8	shoulder ring
13	2.1410.055.1	8	circlip 19
14	2.0432.163.7	8	stud bolt m 10 p.1.5 / p.1.25 x 45
15	2.1011.421.2	8	nut m 10 p.1.25
16	0.021.1434.0	8	screw
17	2.1011.405.2	8	nut m 8 p.1
18	0.066.1440.0/10	4	small cap
19	0.066.1450.0	4	tappet gasket
20	2.0112.211.2	4	screw m 8 p.1.25 x 30
21	2.1560.204.0	4	gasket
22	0.078.1451.0/10	4	gasket mm 1.20 (...) <= ORDER ALSO: 1x 2.1559.188.0
22	0.078.1452.0/10	4	gasket mm 1.40 (...) <= ORDER ALSO: 1x 2.1559.188.0
22	0.078.1453.0/10	4	gasket mm 1.60 (...) <= ORDER ALSO: 1x 2.1559.188.0
24	2.0432.005.7	4	stud bolt m 8 p.1.5 / p.1 x 25
25	0.066.1410.3/40	4	old part number X 916.4W
25	0.078.1410.3/40	4	old part number X 1000.4 W
26	0.066.1416.0	8	valve guide
27	0.066.1427.0	4	valve seat
28	0.066.1426.0	4	valve seat
29	0.066.1413.0	4	bush
30	2.3170.012.1	8	expansion plug 30
31	0.066.1431.0	4	pin

Section: ENGINE
CYLINDER HEAD

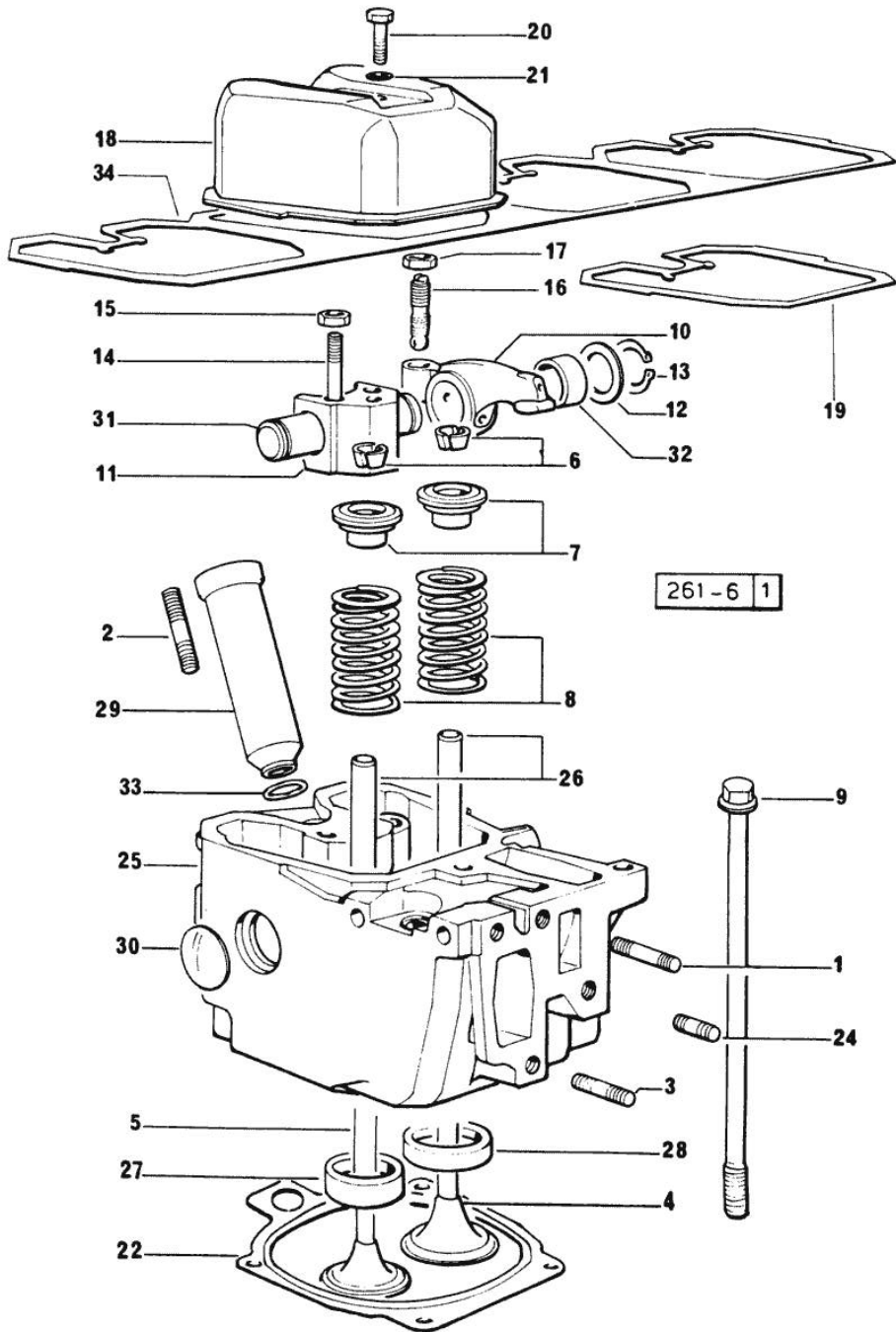


Fig.	P/n	QTY	Name
32	2.1559.021.0/40	8	bushing 15x19x22
33	2.1530.056.0	4	oil seal 21.82 x 3.53
34	0.065.1450.0	1	old part number

Section: ENGINE
LUBRICATION

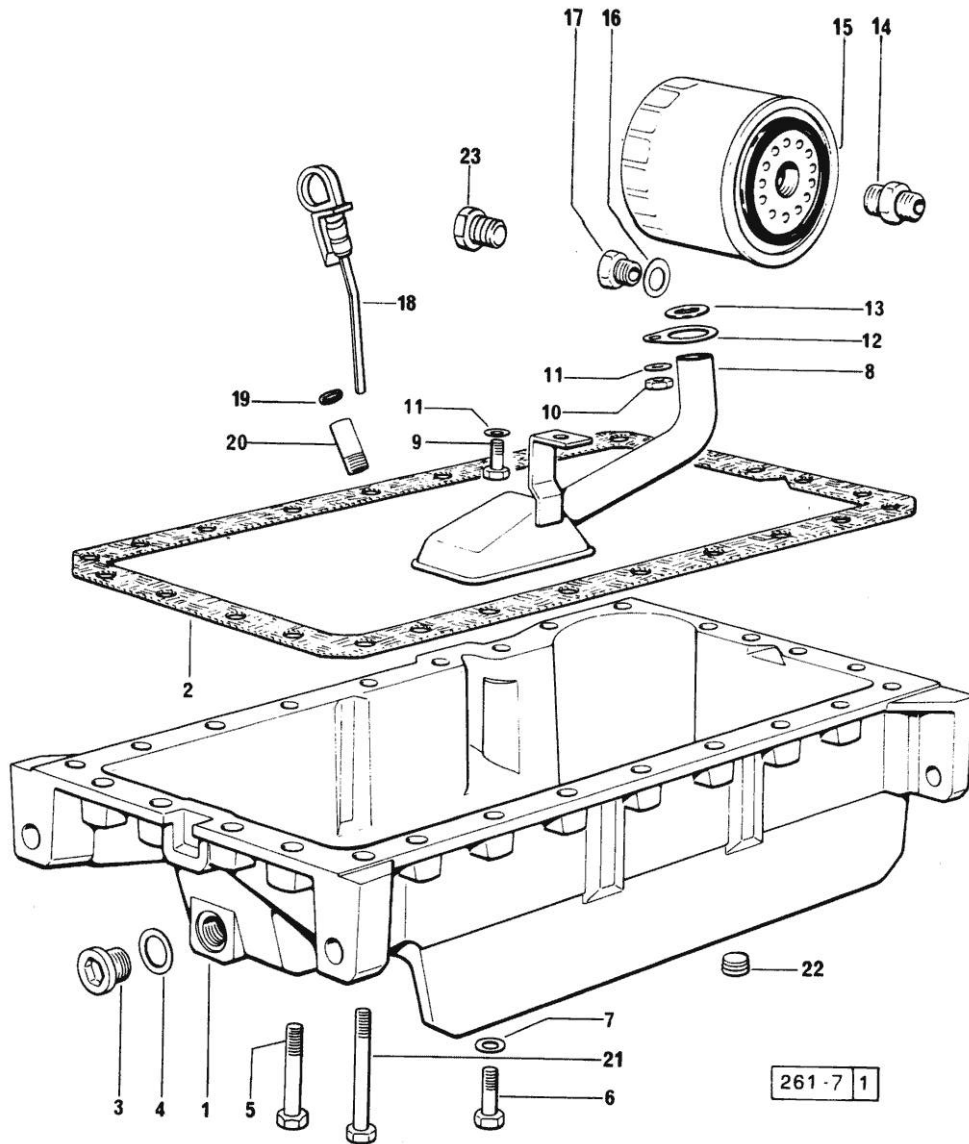


Fig.	P/n	QTY	Name
------	-----	-----	------

Notes:
[H 466]

1	0.065.1510.0/20	1	oil sump
2	0.065.1550.0	1	gasket
3	2.3199.001.2	1	plug 1/2" gas
4	2.1560.054.0	1	gasket 21 x 26
5	2.0112.227.2	9	screw m 8 p.1.25 x 90
6	2.0112.215.2	17	screw m 8 p.1.25 x 40
7	2.1470.004.2	26	lock washer 8
8	0.065.1531.3	1	tube
9	2.0112.205.2	1	screw m 8 p.1.25 x 16
10	2.1011.105.2	1	nut m 8 p.1.25
11	2.1470.004.2	2	lock washer 8
12	0.065.1538.0	1	flange
13	2.1539.040.0	1	special oil seal 21.82 x 3.53
14	2.3339.307.1/10	1	old part number
15	0.044.1567.0	1	oil filter element
16	2.1560.014.0	1	washer 18.2 x 24
17	2.3339.353.2	1	pipe fitting
17	2.3339.353.2/10	1	pipe fitting 12 p.1.5-18 p.1.5 =>10120
18	0.066.1513.2/10	1	dipstick mm 106
19	2.1539.065.0	2	special oil seal 8.73 x 1.78
20	0.066.1551.0	1	spacer
21	2.0112.235.2	3	screw m 8 p.1.25 x 130
22	2.3130.003.1	2	plug 3/8" gas X 1000.4 W
23	2.3110.302.1	1	plug m 12 p.1.75 x 10 10119<=
23	2.3110.402.1	1	plug m 12 p.1.5x10 =>10120

Section: ENGINE
LUBRICATION 1435 <=

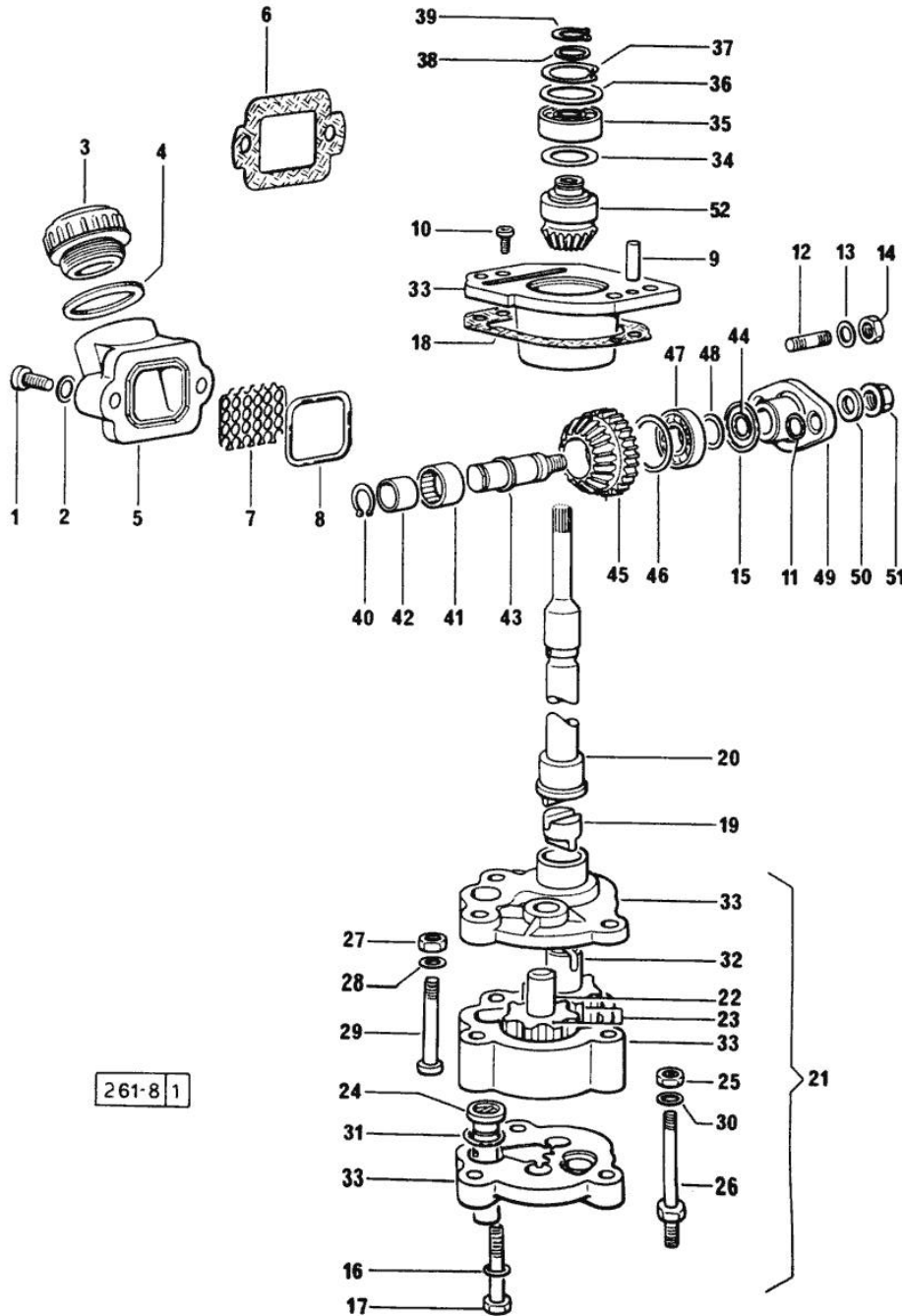


Fig. P/n QTY Name

Notes:
 [H 466]

1	2.0312.205.2	2	screw
2	2.1480.014.1	2	washer 8
3	0.041.1135.4	1	plug 1" gas
4	2.1569.072.0	1	gasket 32 x 39.5 x 2
5	0.065.1565.0/10	1	pipe union
6	0.065.1566.0	1	gasket
7	0.065.1567.0/10	1	filter
8	2.1539.042.0	1	special oil seal 47.35x1.78
9	2.1652.711.0	2	cylindrical plug 8x25
10	2.0169.005.2	2	screw m 6 p.1 x 12
11	2.1530.016.0	2	oil seal 8.73 x 1.78
12	2.0439.151.2	2	stud bolt
13	2.1470.004.2	2	lock washer 8
14	2.1011.405.2	2	nut m 8 p.1
15	2.1530.053.0	1	oil seal 20.35x1.78
16	2.1470.006.2	2	lock washer 10
17	2.0112.324.2	2	screw m 10 p.1.5x75
18	0.065.1560.0	1	old part number
19	0.065.1562.0	1	joint
20	0.065.1569.0	1	shaft
21	9.06699.42.2	1	old part number
22	0.066.1529.0/10	1	small shaft
23	0.066.1521.0/20	2	gear
24	0.065.1552.3/30	1	valve
25	2.1011.105.2	1	nut m 8 p.1.25
26	2.0399.119.2	1	screw
27	2.1011.103.2	1	nut m 6 p.1
28	2.1480.012.1	1	washer 6, d128
29	2.0312.115.1	1	screw m 6 p.1x45
30	2.1480.014.1	1	washer 8
31	2.1539.041.0	1	special oil seal
32	0.066.1528.0/10	1	pin
33	0.000.0000.1	1	cannot be supplied
34	2.1589.148.0	1	shoulder ring 28.2 x 31.8 x 0.5
35	2.2020.001.0	1	ball bearing 15 x 32 x 8.00
36	2.1589.149.0	1	old part number
36	2.1589.150.0	1	shoulder ring 28.2 x 31.8 x 0.1
36	2.1589.151.0	1	shoulder ring 28.2 x 31.8 x 0.15
37	2.1411.013.1	1	circlip 32
38	2.1589.146.0	1	shoulder ring 15.2 x 19 x 0.15
38	2.1589.147.0	1	shoulder ring 15.2 x 19 x 0.10

Thank you so much for reading.
Please click the “Buy Now!”
button below to download the
complete manual.



After you pay.

You can download the most
perfect and complete manual in
the world immediately.

Our support email:

ebooklibonline@outlook.com