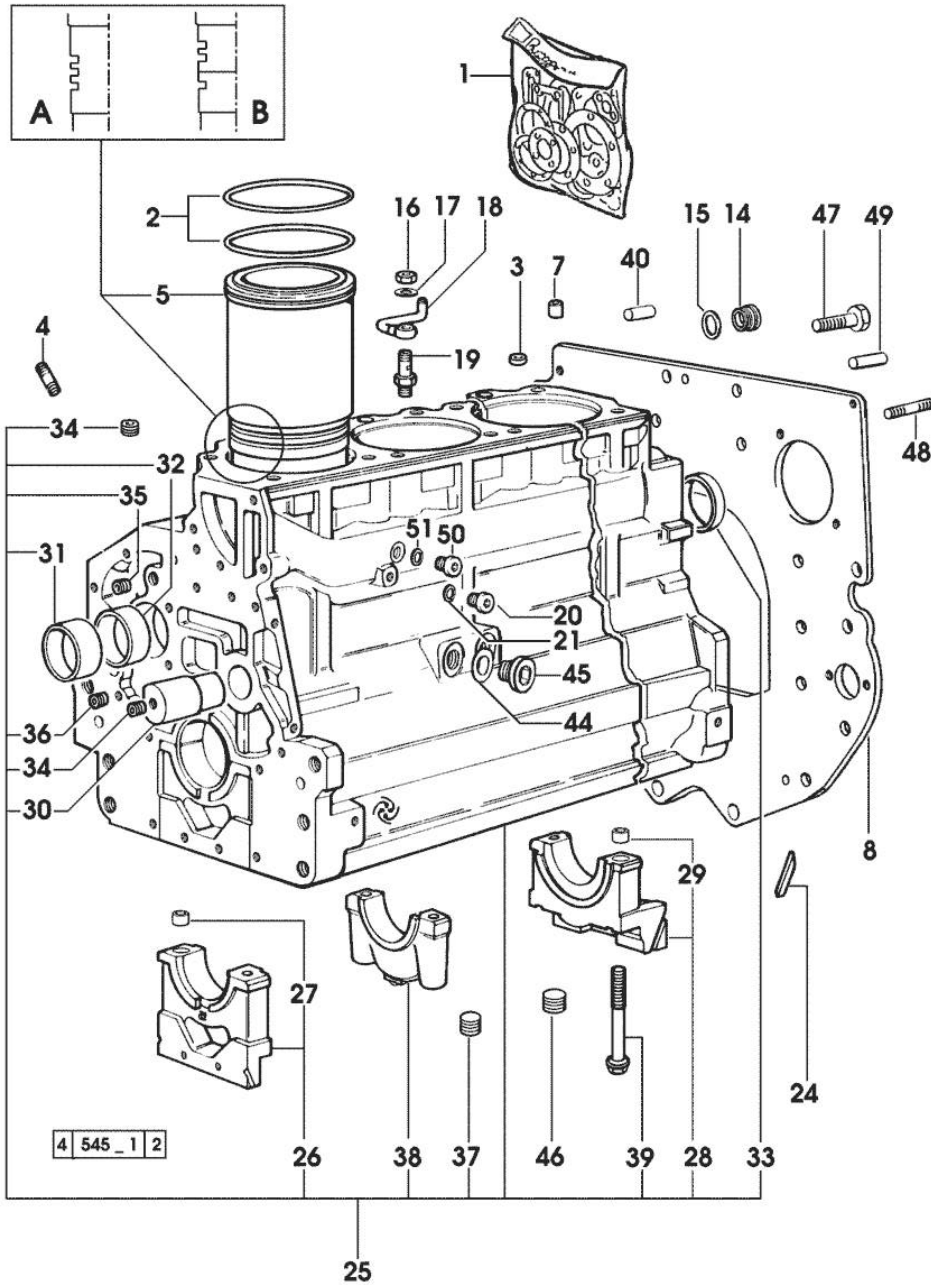


Section: ENGINE
CRANKCASE

Fig.	P/n	QTY	Name
------	-----	-----	------

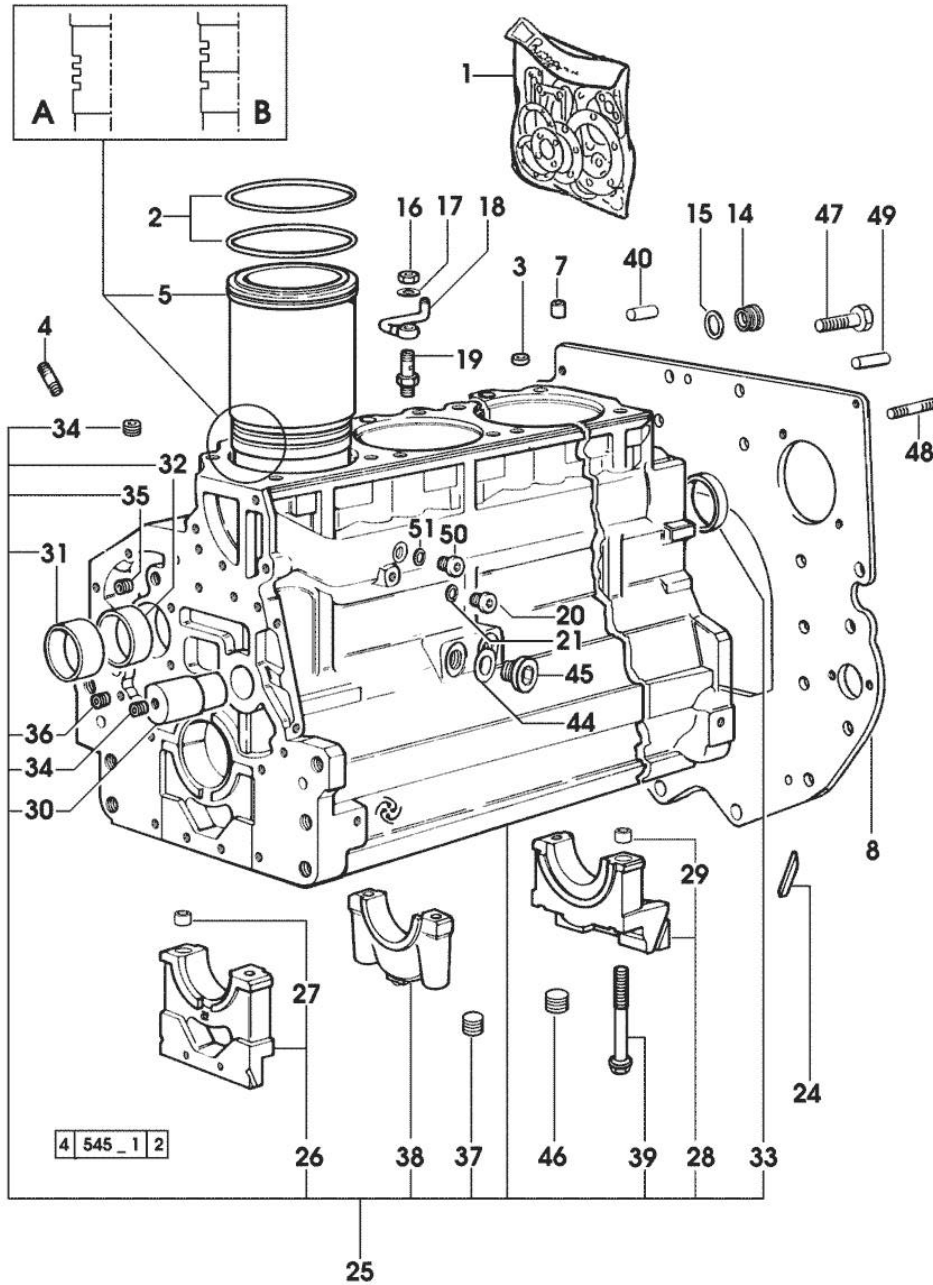
Notes:
[H-488T PRESTIGE]

1	0.089.0050.6	1	gasket set - X H 468 - H 478 - FOR ENGINE MOUNTING
1	0.090.0050.6	1	gasket set - X H 488T - FOR ENGINE MOUNTING
2	2.1519.096.0/20	12	special oil seal 107.67x1.78 25055 <= X H-468 24932 <= X H-478 1936 <= X H-488T
2	2.1539.193.0	8	special oil seal 107.62x2.62 => 25056 X H-468 => 24933 X H-478 => 1937 X H-488T
3	2.1559.188.2	4	bush 11.4 x 14 x16
4	2.0432.003.7	12	stud bolt m 8 p.1.25 / p.1 x 20
5	0.009.7500.0/10	4	engine cylinder = A 17700 <= X H-468 - H-478 1851 <= X H-488T
5	0.011.0183.0/20	4	engine cylinder => 25056 X H-468 => 24933 X H-478 => 1937 X H-488T
5	0.011.0582.0	4	engine cylinder = B => 17701 - 25055 <= X H-468 => 17701 - 24932 <= X H-478 => 1852 - 1936 <= X H-488T
7	2.1549.154.2	4	bush 4.8x5.8x16
8	0.066.1130.0/20	1	flange
14	2.3199.405.2	1	plug m 28 p.1.5
15	2.1539.047.0	1	special oil seal 26.7x1.78
16	2.1099.108.2	4	special nut m 10 p.1
17	2.1560.006.0	8	gasket 10.2 x 16
18	0.086.1550.2	4	sprayer nozzle
19	0.065.1160.3/20	4	valve
20	2.3199.292.0	1	plug 1/4" gas
21	2.1560.010.0	1	gasket 14.2 x 20
24	0.066.1152.0/10	4	gasket
25	0.082.1110.6/20	1	crankcase



CRANKCASE

Fig.	P/n	QTY	Name
------	-----	-----	------



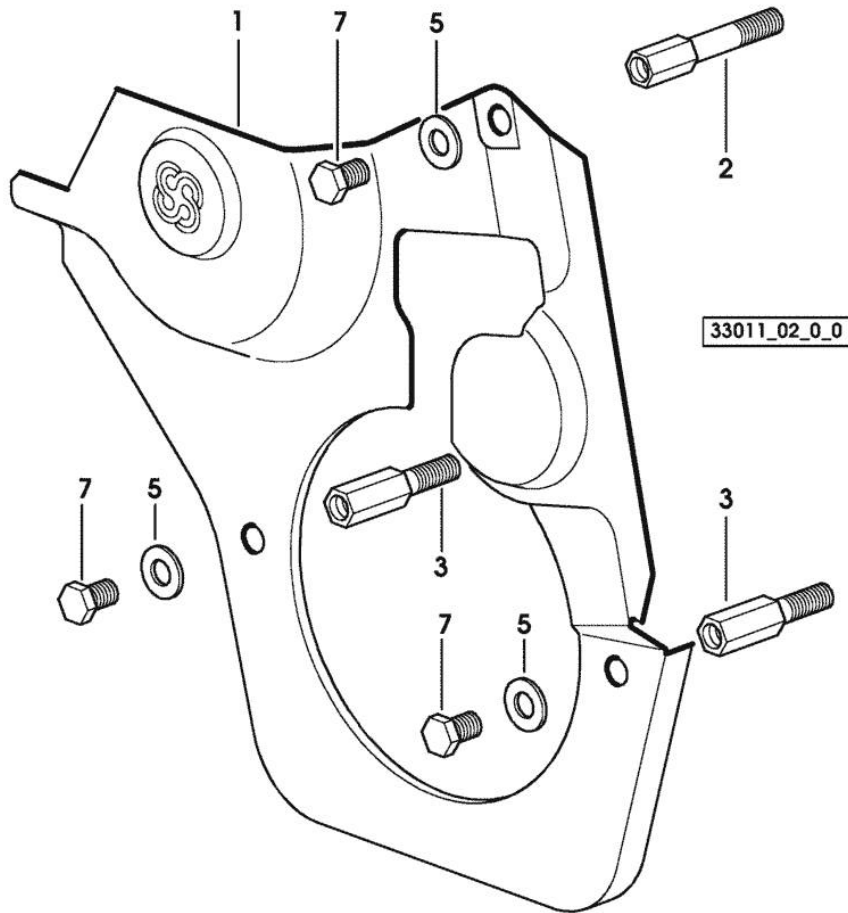
			* 25055 <= X H-468
			* 24932 <= X H-478
			* 1936 <= X H-488T
			- N.4 011.0183.0/10 - N.8 2.1539.193.0
26	0.065.1112.7	1	support
27	2.1699.165.0	1	bush 12.3x15x16
28	0.065.1116.3	1	support
29	2.1699.165.0	1	bush 12.3x15x16
30	0.066.1151.0	1	pin
31	0.065.1141.0	1	special bushing 59X55X30
32	0.065.1140.0	4	special bushing 59X55X20
33	2.3179.012.0	1	plug 60
34	2.3130.001.1	11	plug 1/8" gas
35	2.3130.002.1	2	plug 1/4" gas
36	2.3130.003.1	5	plug 3/8" gas
37	2.1324.011.0	1	plug
38	0.065.1114.0/10	3	support
39	0.065.1117.0	10	screw m 12 x 100
40	2.1651.912.0	2	cylindrical plug 12x28
44	2.1560.017.0	1	gasket 22.2 x 27
			- X H 468 - H 478
45	2.3120.002.4	1	plug m 22 x 1.5
			- X H 468 - H 478
46	2.3130.003.1	2	plug 3/8" gas
47	2.0112.511.2	8	screw m 14 p.2 x 30
48	2.0432.255.7	2	stud bolt m 12 p.1.75-1.25x25
49	2.1651.917.0	1	cylindrical plug 12x40
50	2.3120.101.0	1	plug m 18 p.1.5
			=> (...) - 25055 <= X H-468
			=> (...) - 24932 <= X H-478
			=> (...) - 1936 <= X H-488T
51	2.1560.014.0	1	washer 18.2 x 24

Section: ENGINE
TIMING CASE

Fig.	P/n	QTY	Name
------	-----	-----	------

Notes:
[H-488T PRESTIGE]

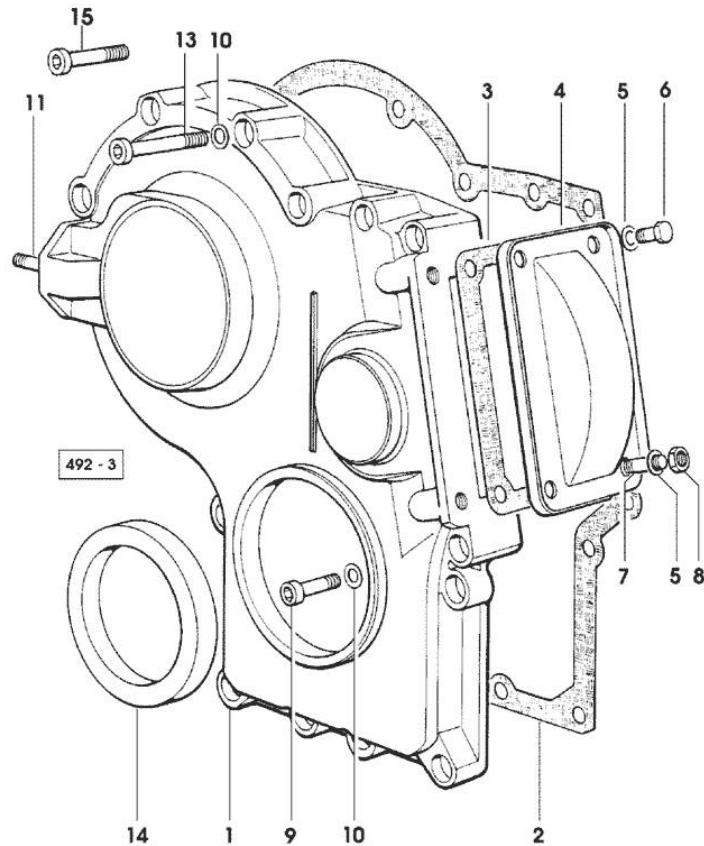
1	0.007.1262.3/50	1	guard
2	0.007.1271.0/10	1	small column m 8 p.1.25 / L = mm 60
3	0.007.1272.0/10	2	small column m 8 p.1.25 / L = mm 50
5	2.1310.004.2	3	flat washer 8.4x17
7	2.0112.205.2	3	screw m 8 p.1.25 x 16



Section: ENGINE
TIMING CASE

Fig.	P/n	QTY	Name
------	-----	-----	------

Notes:
[H-488T PRESTIGE]



1	0.065.1132.0/60	1	guard
2	0.065.1150.0/30	1	gasket
3	0.065.1152.0	1	gasket
4	0.065.1151.0	1	cover
5	2.1470.004.2	4	lock washer 8
6	2.0112.205.2	2	screw m 8 p.1.25 x 16
7	2.0432.003.7	2	stud bolt m 8 p.1.25 / p.1 x 20
8	2.1011.405.2	2	nut m 8 p.1
9	2.0312.208.2	8	screw m 8 p.1.25 x 25
10	2.1480.014.1	15	washer 8
11	2.0432.003.7	2	stud bolt m 8 p.1.25 / p.1 x 20
13	2.0312.214.2	3	screw m 8 p.1.25 x 40
14	2.1529.141.0	1	special oil seal
15	2.0312.214.2	4	screw m 8 p.1.25 x 40

Section: ENGINE

CRANKSHAFT

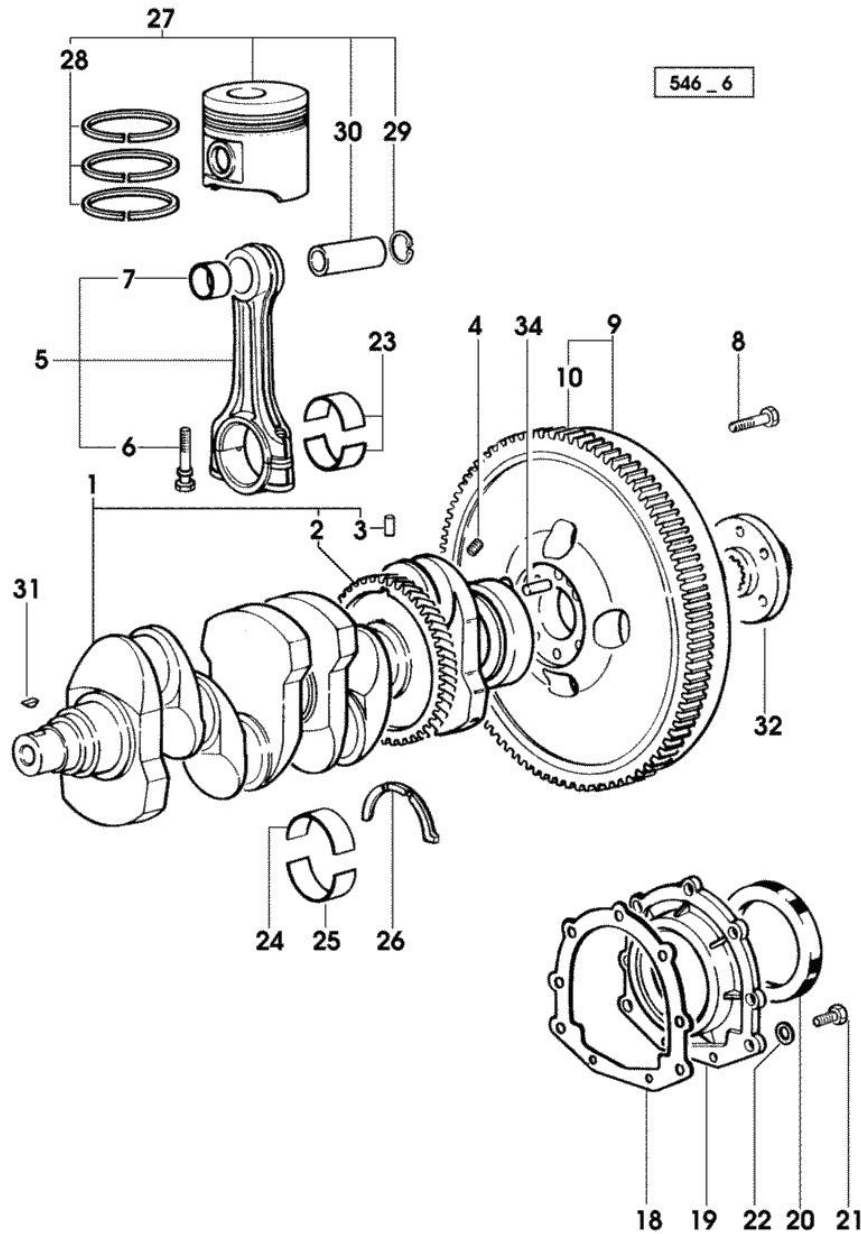


Fig.	P/n	QTY	Name
Notes: [H-488T PRESTIGE]			
1	0.086.1210.3/30	1	crankshaft * 14871 <= X H 478 * 4231 <= X H 488T - N.1 - 007.1711.0/10 - N.4 - 2.3130.001.1
2	0.065.1211.0/10	1	crown wheel
3	2.1630.608.0	1	pin 6x16
4	2.3130.001.1	4	plug 1/8" gas
5	0.078.1220.3/30	4	engine connecting rod
6	2.0399.213.0	8	screw m 12 p.1.25x61.5
7	2.1559.114.0/10	4	special bushing
8	2.0139.022.2	6	screw m 12 p.1.25x55
9	0.007.1702.3/30	1	flywheel -> 20260 X H 478 -> 20695 X H 488T
9	0.008.4049.3	1	flywheel mm 373 -> 20224 - 20259 <- X H 478 -> 20603 - 20694 <- X H 488T
9	0.076.1247.3/20	1	flywheel 20223 <- X H 478 20602 <- X H 488T
10	0.065.1242.0	1	crown wheel Z = 123
18	0.065.1254.0/20	1	gasket
19	0.007.1711.0/10	1	cover => 14872 X H 478 => 4332 X H 488T
19	0.065.1253.0/20	1	cover 14871 <= X H 478 4231 <= X H 488T
20	2.1529.073.0	1	special oil seal 110x130x13
21	2.0112.207.2	9	screw m 8 p 1.25 x 20
22	2.1475.002.2	9	conical washer 8
23	0.065.1225.0	8	con.rod half bushing STANDARD - A = 28.75 -> 29.00
23	0.065.1225.7		con.rod half bushing - mm 0.25
23	0.065.1225.8		con.rod half bushing - mm 0.50
24	0.065.1215.0	5	main half bushing STANDARD
24	0.065.1215.7		main half bushing - mm 0.25
24	0.065.1215.8		main half bushing - mm 0.50
25	0.065.1216.0	5	main half bushing
25	0.065.1216.7		main half bushing - mm 0.25
25	0.065.1216.8		main half bushing - mm 0.50
26	0.065.1218.0	4	shim STANDARD

CRANKSHAFT

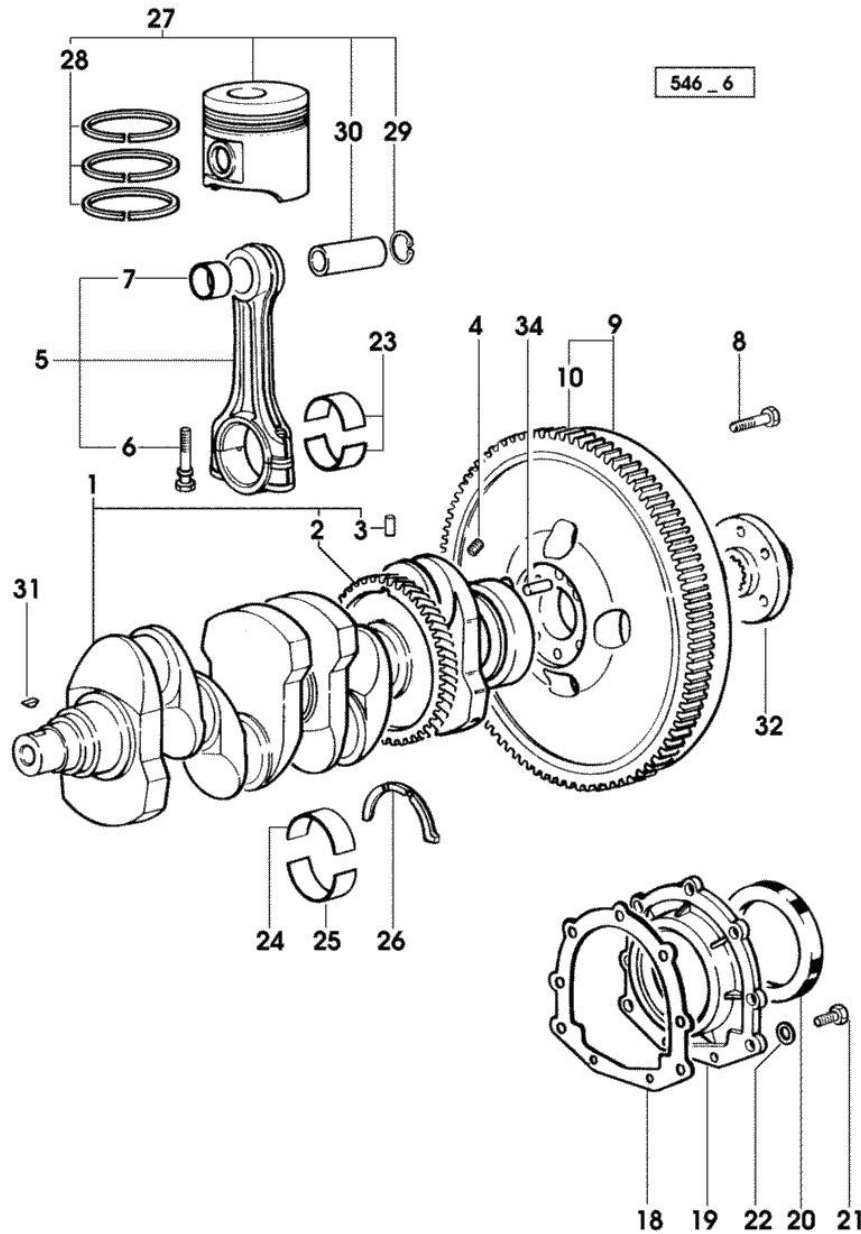


Fig.	P/n	QTY	Name
26	0.065.1218.7		shim + mm 0.10
26	0.065.1218.8		shim + mm 0.15
27	0.086.0060.6/30	4	complete piston - X H 478
27	0.087.0060.6/30	4	complete piston - X H 488T
27	0.379.0060.6	4	complete piston - X H 478 - EXPORT U.S.A.
27	0.382.0060.6	4	complete piston - X H 488T - EXPORT U.S.A.
28	0.081.0090.6/10	4	piston ring set - X H 488T
28	0.086.0052.6/10	4	piston ring set - X H 478
29	2.1411.014.1	8	circlip 35
30	0.078.1236.0	4	piston pin Ø 18 / Ø 35 / L = mm 86
31	2.1720.006.0	3	key 4x6.5
32	0.008.5543.0	1	flange -> 20224 X H 478 -> 20602 X H 488T
32	0.255.2525.0/10	1	flange 20602 <- X H 488T 20223 <- X H 478
34	2.1652.915.0	1	cylindrical plug 12x35

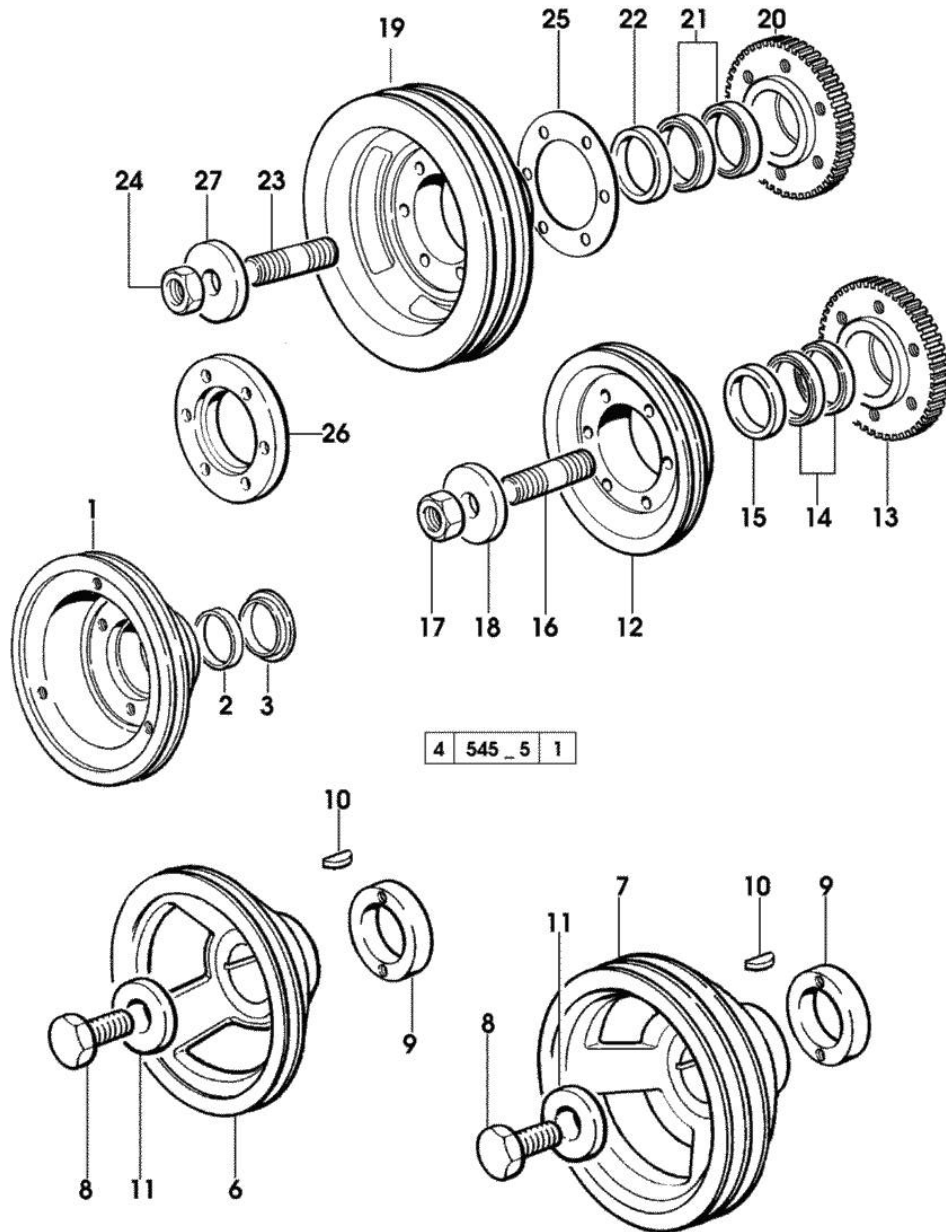
Section: ENGINE

ENGINE SHAFT - PULLEYS

Fig.	P/n	QTY	Name
------	-----	-----	------

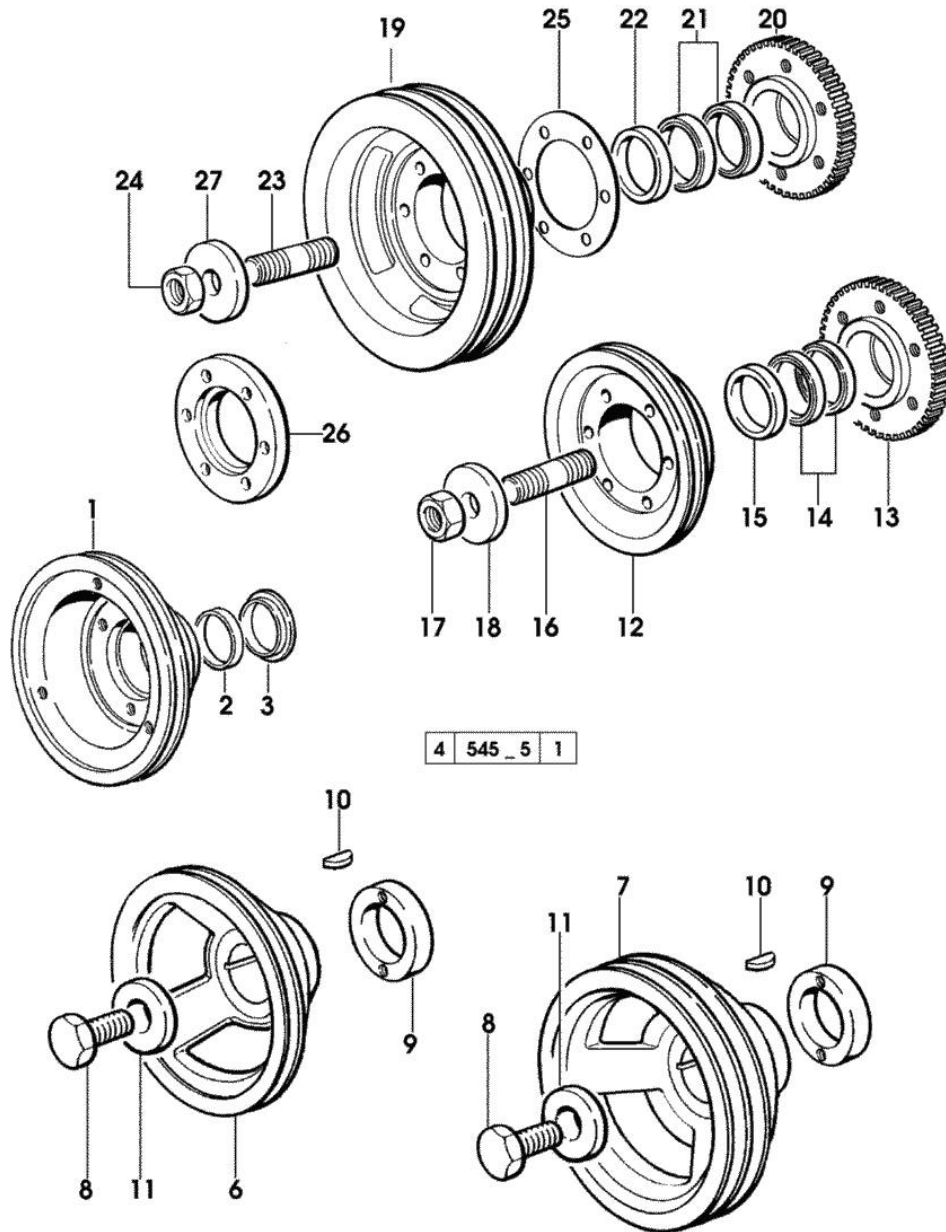
Notes:
[H-488T PRESTIGE]

1	0.089.1251.0/10	1	pulley 1320 <= X H 358 8089 <= X H 468 (...) <= X H 478 - H 488T
1	0.089.1252.0/10	1	pulley 1320 <= X H 358 8089 <= X H 468 (...) <= X H 478 - H 488T - FOR TRACTORS WITH AIR CONDITIONING
2	0.085.1254.0	1	ring
3	0.065.1256.0	1	ring 45x52
6	0.007.1457.0/20	1	pulley
7	0.007.1458.0/30	1	pulley - FOR TRACTORS WITH AIR CONDITIONING
8	2.0399.144.7/10	1	screw m 20 p.1.5x51 * (...) <- - N.1 - 2.1599.524.7
9	0.085.1248.0/10	1	hub
10	2.1720.006.0	1	key 4x6.5
11	2.1599.524.7	1	washer 21x60x12 * (...) <= - N.1 - 2.0399.144.7
12	0.082.1244.0/10	1	pulley => 1321 X H 358 => 8090 X H 468 => (...) X H 478 - H 488T
13	0.011.3515.0/10	1	hub Z = 48
14	0.065.1256.0	2	ring 45x52
15	2.1579.865.0	4	spacer 45.2x51.8x10
16	2.0439.195.7	1	stud bolt m 20 p.1.5x80
17	2.1019.094.7	1	nut m 20 p.1.5
18	2.1599.524.7	1	washer 21x60x12
19	0.082.1250.0/10	1	pulley => 1321 X H 358 => 8090 X H 468 => (...) X H 478 - H 488T - FOR TRACTORS WITH AIR CONDITIONING
20	0.011.3515.0/10	1	hub Z = 48
21	0.065.1256.0	2	ring 45x52
22	2.1579.865.0	1	spacer 45.2x51.8x10
23	2.0439.195.7	1	stud bolt m 20 p.1.5x80



ENGINE SHAFT - PULLEYS

Fig.	P/n	QTY	Name
24	2.1019.094.7	1	nut m 20 p.1.5
25	2.1589.137.0	3	shoulder ring 71x110x1
26	0.089.1253.0/10	1	spacer
27	2.1599.524.7	1	washer 21x60x12



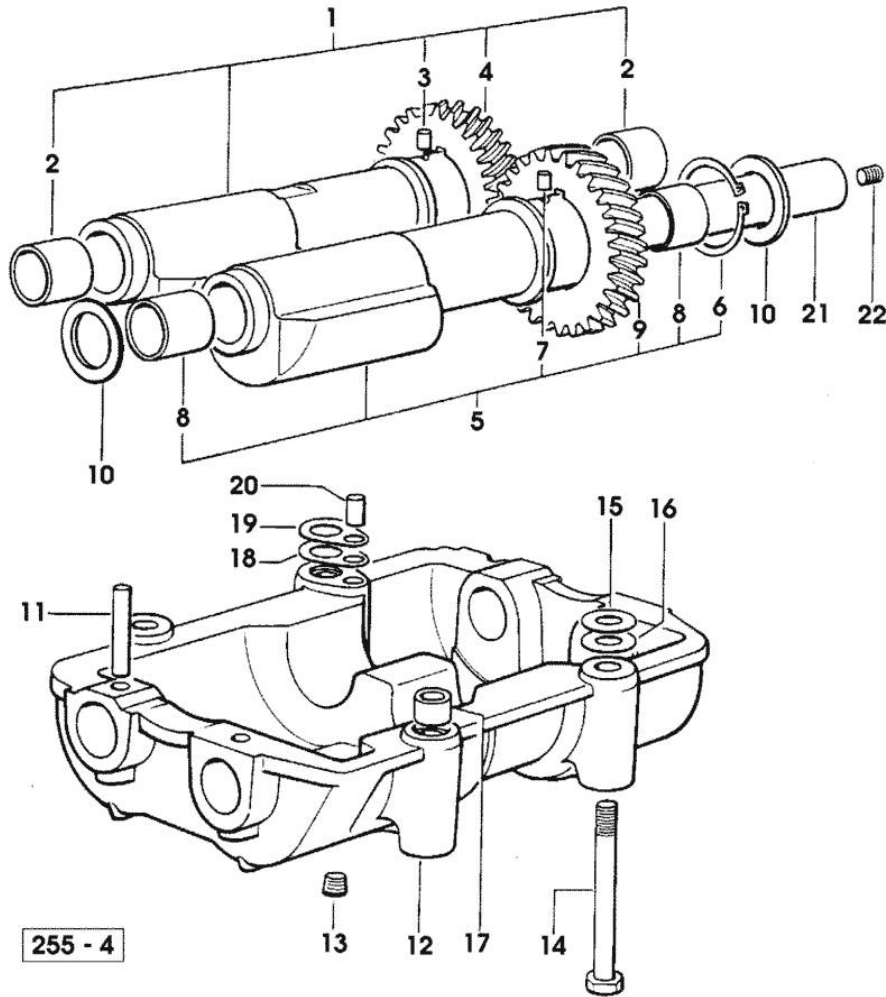
Section: ENGINE

COUNTERWEIGHTS

Fig.	P/n	QTY	Name
------	-----	-----	------

Notes:
[H-488T PRESTIGE]

1	0.086.1233.3/30	1	mass sx/lh/li
2	2.1559.115.0	2	special bushing 26x30x30
3	2.1652.302.0	1	roll pin 4x6
4	0.000.0000.1		cannot be supplied
5	0.065.1233.3/30	1	mass dx/rh/re
6	2.1410.018.7	1	circlip 45
7	2.1652.302.0	1	roll pin 4x6
8	2.1559.115.0	2	special bushing 26x30x30
9	0.000.0000.1		cannot be supplied
10	2.1589.185.0	4	shoulder ring 26.1x34x1
11	2.1631.717.0	2	roll pin 8 x 40
12	0.086.1231.0/10	1	box
13	2.3130.001.1	4	plug 1/8" gas
14	2.0139.028.2	4	screw m 12
15	2.1579.628.0	2	spacer 16.5x26x0.1
15	2.1589.048.0	2	shoulder ring 16.5x26x0.3
16	2.1579.629.0		spacer 12.5x26x0.1
16	2.1589.049.0		shoulder ring 12.5x26x0.3
17	2.1579.626.0	2	spacer 13.2x16x11
18	2.1589.139.0	2	shoulder ring mm 0.3
19	2.1589.140.0	2	shoulder ring mm 0.1
20	2.1699.191.0	1	bush 7x10x16
21	0.065.1234.0/10	2	shaft
22	2.3130.001.1	2	plug 1/8" gas



Section: ENGINE

CAMSHAFT

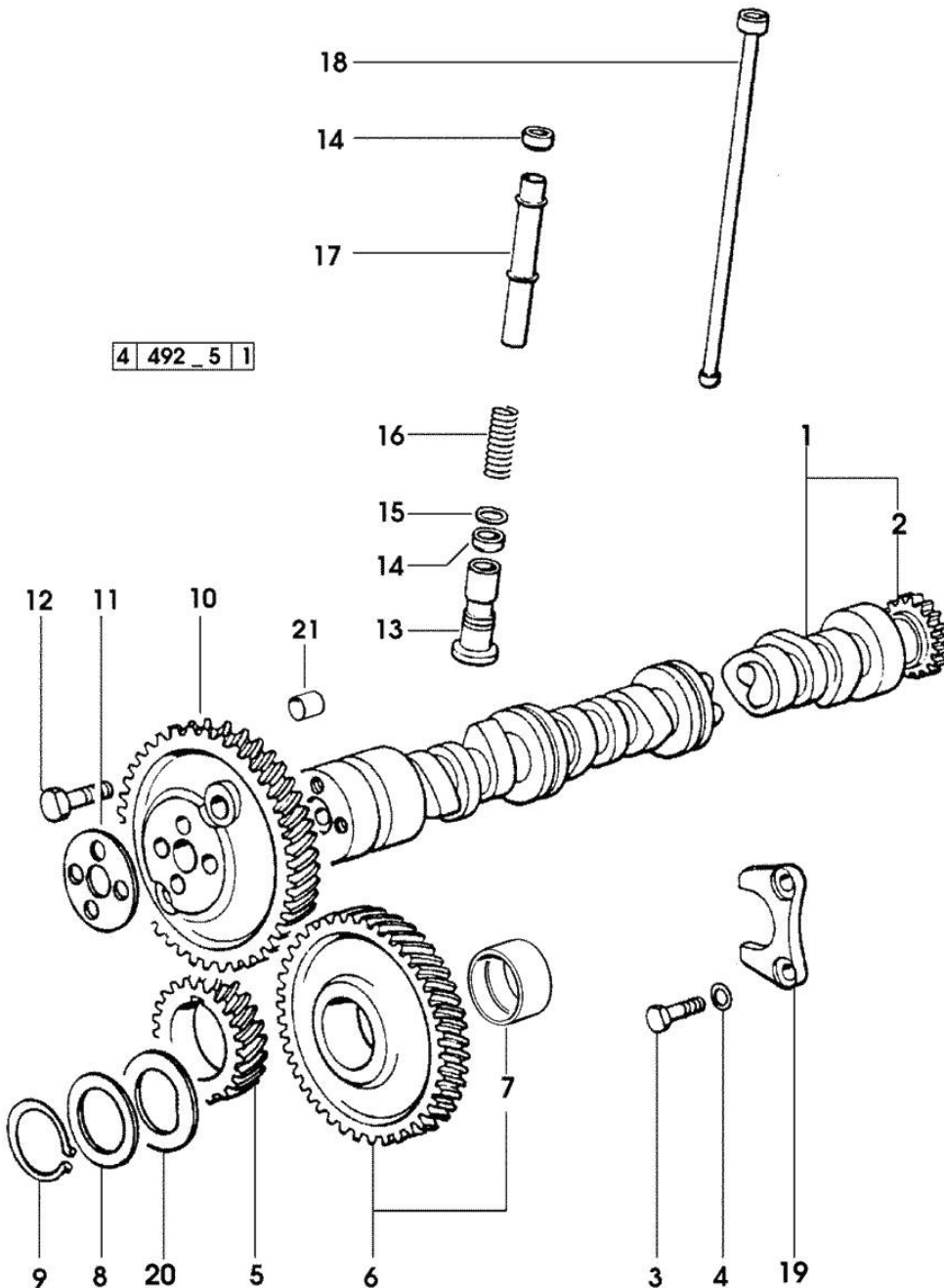


Fig.	P/n	QTY	Name
------	-----	-----	------

Notes:
[H-488T PRESTIGE]

1	0.007.1712.3/10	1	camshaft - EXPORT U.S.A.
1	0.066.1310.3/40	1	camshaft
2	0.065.1324.0/10	1	gear Z = 32
3	2.0312.206.2	2	screw m 8 p 1.25 x 20
4	2.1480.014.1	2	washer 8
5	0.065.1323.0/30	1	gear Z = 29
6	0.007.1177.3/10	1	gear z = 57 - WITH RED IDENTIFICATION STAMP
6	0.007.1178.3/10	1	gear z = 57 - WITH YELLOW IDENTIFICATION STAMP
6	0.007.1179.3/10	1	gear z = 57 - WITH GREEN IDENTIFICATION STAMP
7	2.1559.185.0/10	1	bushing
8	0.065.1352.0	1	shim
9	2.1410.016.1	1	circlip 40
10	0.065.1354.0/20	1	gear z=58
11	0.065.1350.0	1	small disc
12	2.0132.207.2	4	screw m 10 p.1 x 25
13	0.065.1330.0	8	tappets
14	2.1569.114.0/10	16	gasket 14x18.5x8
15	2.1599.437.0	8	shoulder ring
16	2.4019.300.1/10	8	spring 18.5x52x2
17	0.065.1332.0	8	sleeve
18	0.065.1331.2	8	rod
19	0.065.1353.0	1	small plate
20	0.065.1351.0	2	shoulder ring
21	2.1559.398.0	1	bushing 10.5x13x12

Section: ENGINE
CYLINDER HEAD

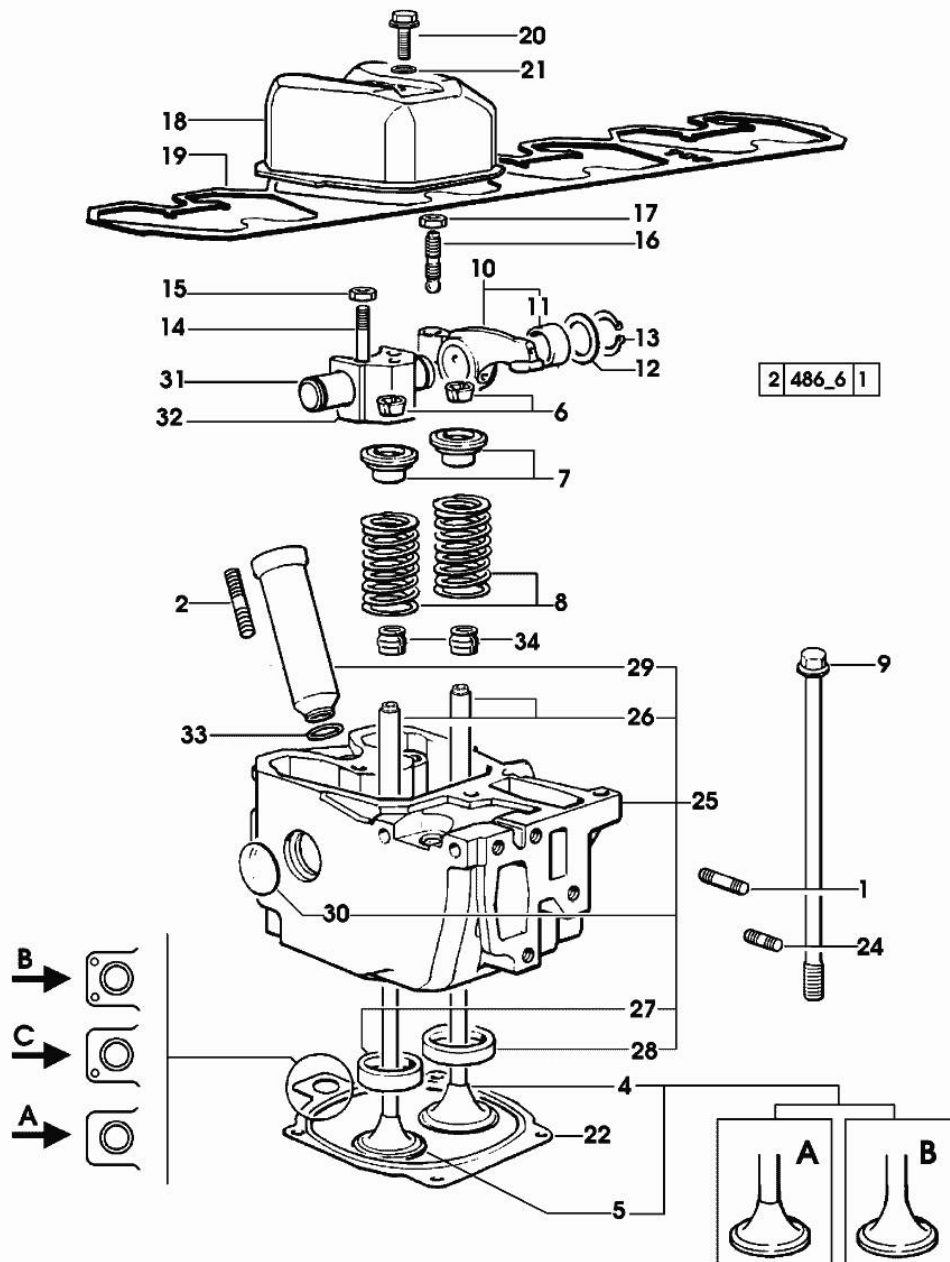
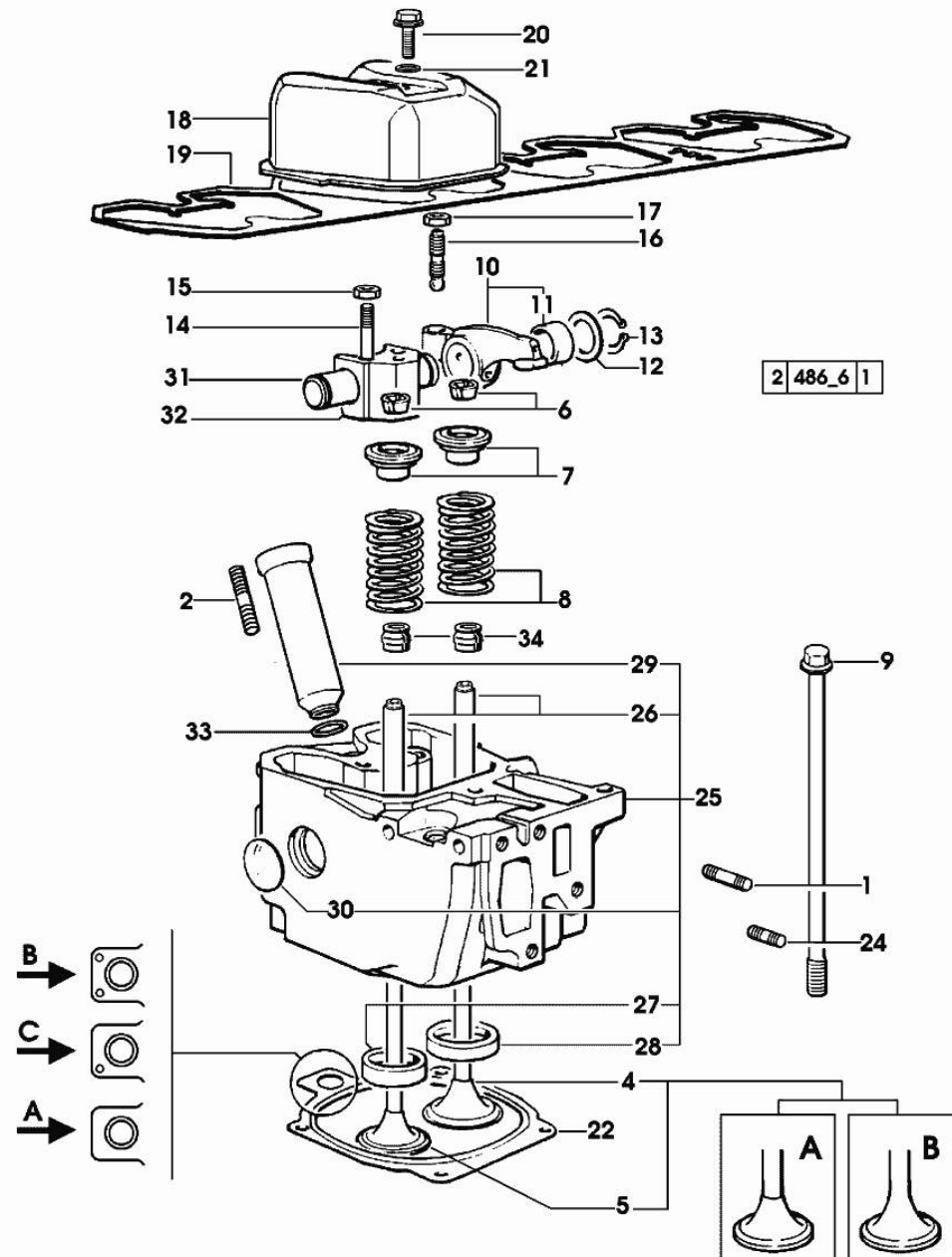


Fig.	P/n	QTY	Name
Notes: [H-488T PRESTIGE]			
1	2.0432.011.7	4	stud bolt m 8 p.1.25 / p.1 x 40
2	2.0432.161.7	4	stud bolt m 10 p.1.5 / p.1.25 x 40
4	0.010.6016.0	4	inlet valve mm 43.63 / Ø mm 9 - X H 468 - H 478
4	0.010.6017.0	4	inlet valve mm 43.63 / Ø mm 9 - X H 488T -> (...) = B
4	0.081.1420.0	4	inlet valve Ø mm 9 - X H 488T (...) <= A
5	0.010.6022.0	4	exhaust valve mm 39.1 / Ø mm 9 - X H 488T -> (...) = B
5	0.066.1421.0	4	exhaust valve - X H 468 - H 478 - X H 488T (...) <= A
6	0.074.1423.0	16	conical valve cotter
7	0.066.1425.0	8	cup
8	2.4019.287.0	8	spring
9	0.066.1443.0/10	16	screw
10	0.066.1432.3	8	rocker arm
11	2.1559.021.0/40	8	bushing 15x19x22
12	2.1599.432.0	8	shoulder ring
13	2.1410.055.1	8	circlip 19
14	2.0432.163.7	8	stud bolt m 10 p.1.5 / p.1.25 x 45
15	2.1011.321.2	8	nut m 10 p.1.25
16	0.021.1434.0	8	screw
17	2.1011.405.2	8	nut m 8 p.1
18	0.007.1139.0/10	4	small cap * (...) <= - N.4 - 2.0399.130.2/10
19	0.065.1450.0/30	1	tappet gasket
20	2.0399.130.2	4	screw m 8 x 30 (...) <= screw m 8x36x44 => (...)
20	2.0399.130.2/10	4	
21	2.1569.170.0/10	4	gasket 8.2 x 14
22	0.078.1451.0/40	1	head gasket -A-
22	0.078.1452.0/30	1	head gasket -B-
22	0.078.1453.0/40	1	head gasket -C-
24	2.0432.005.7	4	stud bolt m 8 p.1.5 / p.1 x 25
25	0.007.1360.3/60	4	head - X H 488T -> (...) = B
25	0.012.2693.3/10	4	engine head

Section: ENGINE
CYLINDER HEAD

Fig.	P/n	QTY	Name
------	-----	-----	------

			- X H 468 - H 478
			- X H 488T (...) <- = A
26	0.007.1779.0/10	8	valve guide
27	0.066.1427.0	4	valve seat
28	0.078.1426.0	4	valve seat
29	0.010.6041.0	4	bush
30	2.3170.012.1	8	expansion plug 30
31	0.066.1431.0	4	pin
32	0.066.1430.0/10	4	support
33	2.1530.051.0	4	oil seal 20.22x3.53
34	2.1519.117.0	8	special oil seal



Section: ENGINE
LUBRICATION

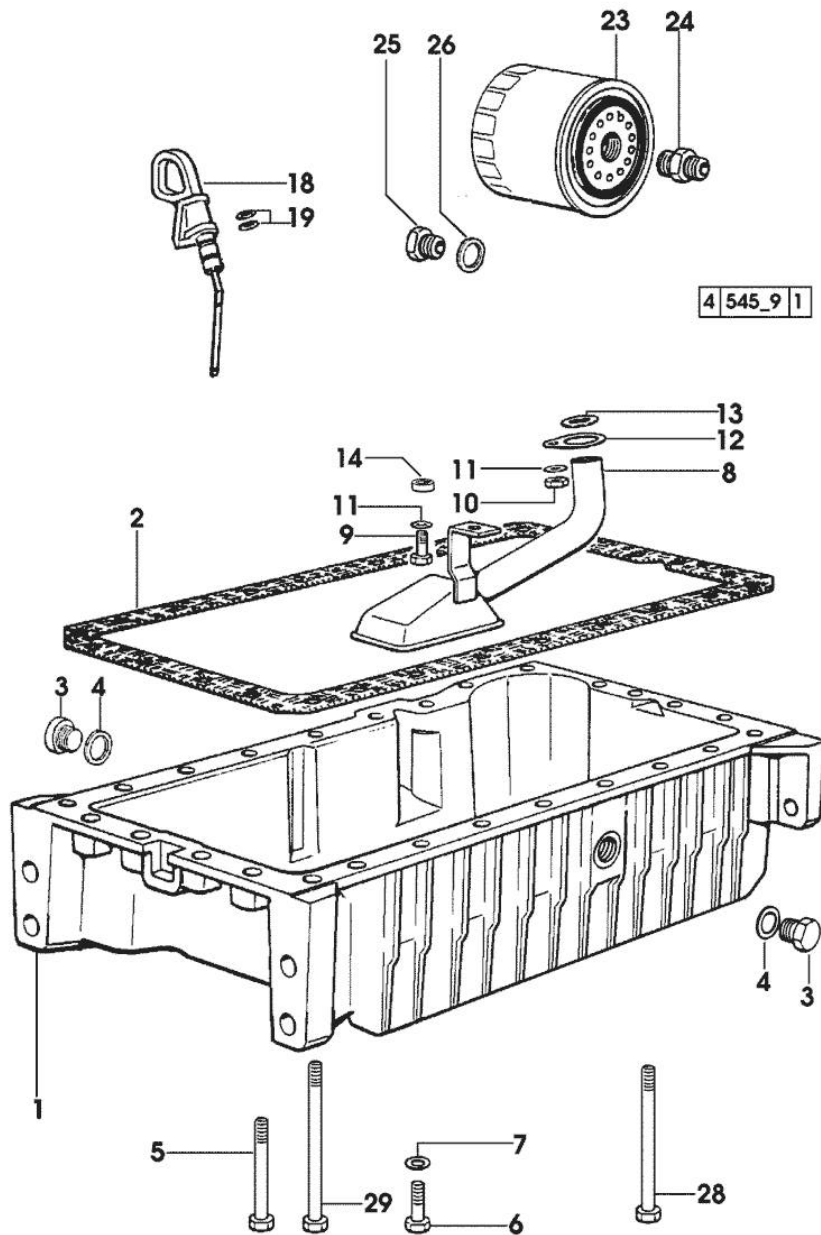


Fig.	P/n	QTY	Name
------	-----	-----	------

Notes:
[H-488T PRESTIGE]

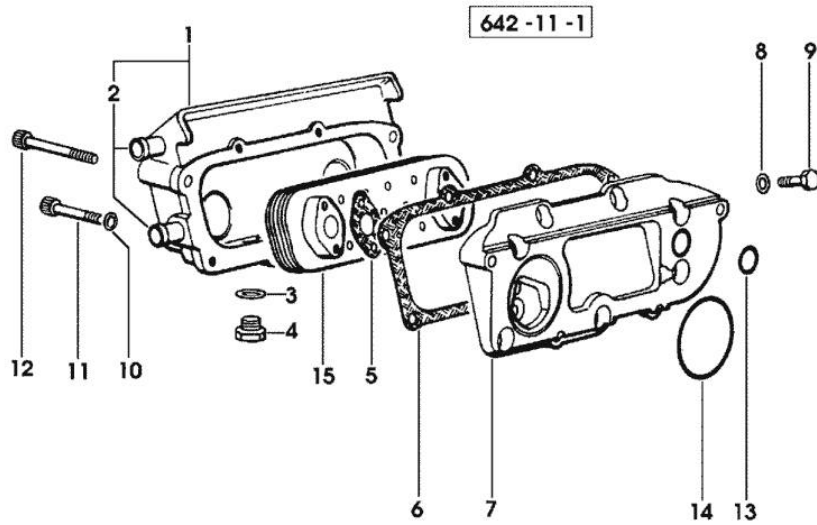
1	0.007.1277.0/40	1	oil sump
2	0.065.1550.0/10	1	gasket
3	2.3199.001.2	2	plug 1/2" gas
4	2.1560.054.0	2	gasket 21 x 26
5	2.0112.226.2	4	screw m 8 p.1.25 x 85
6	2.0112.215.2	17	screw m 8 p.1.25 x 40
7	2.1470.004.2	26	lock washer 8
8	0.065.1531.3/20	1	tube
9	2.0112.205.2	1	screw m 8 p.1.25 x 16
9	2.0112.209.2	1	screw m 8 p 1.25 x 25 (...) <= => (...)
10	2.1011.105.2	1	nut m 8 p.1.25
11	2.1470.004.2	2	lock washer 8
12	0.065.1538.0	1	flange
13	2.1539.040.0	1	special oil seal 21.82 x 3.53
14	2.1579.766.2	1	spacer 8.5x16x10 => (...)
18	0.086.1513.2/30	1	dipstick
19	2.1539.065.0	2	special oil seal 8.73 x 1.78
23	0.044.1567.0	1	oil filter element - X H 468 - H 478
23	2.4419.340.0	1	oil filter element - X H 488T
24	2.3339.307.0	1	pipe fitting m 22 p.1.5-3/4"
25	2.3339.353.2/20	1	pipe fitting 12 p.1.5-18 p.1.5 - X H 468 - H 478
26	2.1560.014.0	1	washer 18.2 x 24 - X H 468 - H 478
28	2.0112.235.2	3	screw m 8 p.1.25 x 130
29	2.0112.239.2	2	screw m 8 p.1.25 x 150

Section: ENGINE
LUBRICATION

Fig.	P/n	QTY	Name
------	-----	-----	------

Notes:
 [H-488T PRESTIGE]

1	0.078.1554.3	1	box
2	0.066.1750.0	1	tube
3	2.1560.014.0	1	washer 18.2 x 24
4	2.3120.101.0	1	plug m 18 p.1.5
5	0.078.1557.0/10	2	gasket
6	0.078.1556.0/10	1	gasket
7	0.078.1555.0/10	1	plate
8	2.1310.004.2	8	flat washer 8.4x17
9	2.0112.205.2	8	screw m 8 p.1.25 x 16
10	2.1480.014.1	4	washer 8
11	2.0312.217.2	2	screw m 8 p.1.25x55
12	2.0312.220.2	2	screw m 8 p.1.25x70
13	2.1539.048.0	1	special oil seal 20.35x1.78
14	2.1539.050.0	1	special oil seal 69.57x1.78
15	0.078.1540.3	1	radiator



Section: ENGINE
LUBRICATION

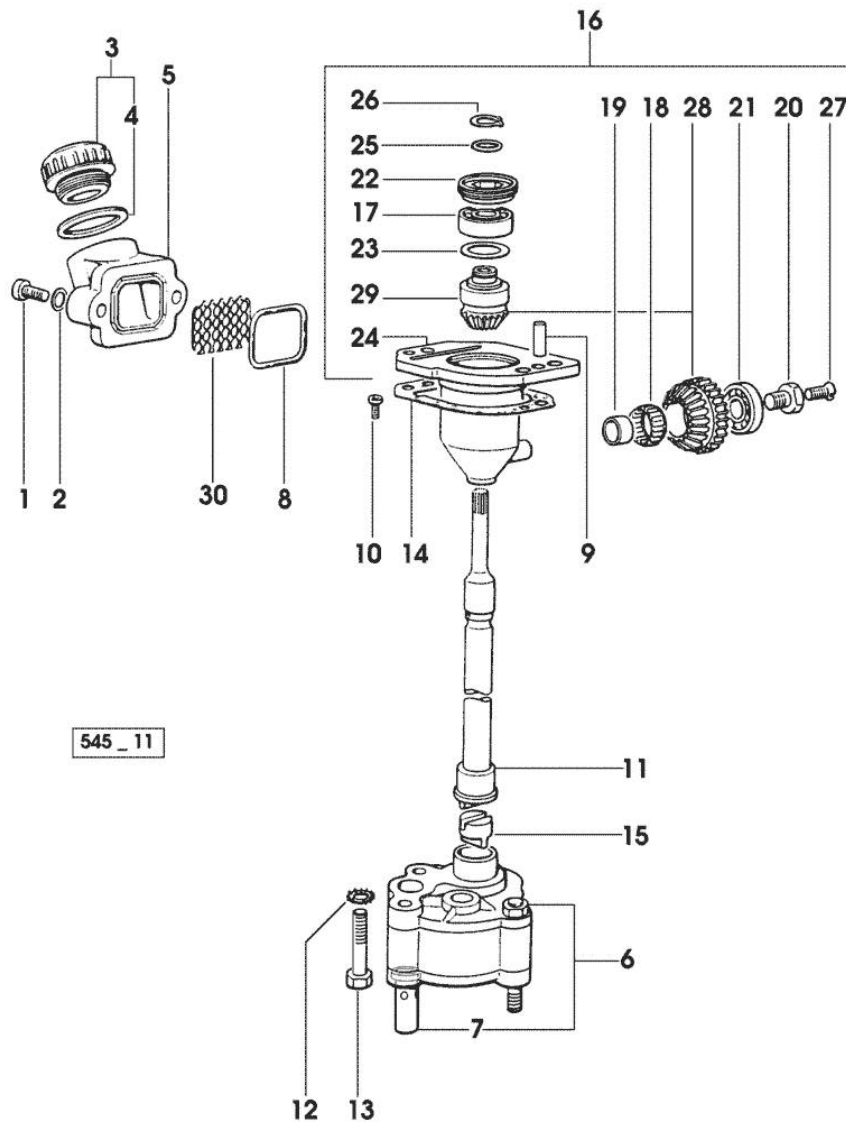


Fig.	P/n	QTY	Name
------	-----	-----	------

Notes:
[H-488T PRESTIGE]

1	2.0312.206.2	2	screw m 8 p 1.25 x 20
2	2.1480.014.1	2	washer 8
3	0.041.1135.4	1	plug 1" gas
4	2.1569.072.0	1	gasket 32 x 39.5 x 2
5	0.065.1565.0/10	1	pipe union
6	0.010.5441.4/10	1	oil pump
			- X H 468 - H 478 - H 488T
6	0.010.5481.4	1	oil pump
			- X H 358
7	0.065.1552.3/60	1	valve
8	2.1539.042.0	1	special oil seal 47.35x1.78
9	2.1651.711.0	2	pin 8 x 14
10	2.0169.005.2	2	screw m 6 p.1 x 12
11	0.065.1569.0/40	1	shaft
12	2.1470.006.2	2	lock washer 10
13	2.0112.325.2	2	screw m 10 p.1.5 x 80
14	0.065.1560.0/20	2	gasket
15	0.065.1562.0/10	1	joint
16	0.075.1551.4/20	1	support
17	2.2020.001.0	1	ball bearing 15 x 32 x 8.00
18	2.2725.016.0	1	roller cage 15 x 21 x 12
19	2.2680.020.0	1	ring 12 x 15 x 12
20	2.0399.128.2	1	screw
			(...) <=
20	2.0399.128.2/10	1	screw m 8 p.1 x 8
			=> (...)
21	2.2030.002.0	1	ball bearing 12 x 28 x 8
22	2.1219.025.2	1	ring nut m 36 p.1
			(...) <=
22	2.1219.025.2/10	1	ring nut m 36 p.1.5
			=> (...)
23	2.1589.148.0	1	shoulder ring 28.2 x 31.8 x 0.5
23	2.1589.150.0		shoulder ring 28.2 x 31.8 x 0.1
23	2.1589.151.0		shoulder ring 28.2 x 31.8 x 0.15
24	0.075.1551.3/30	1	support
			* (...) <=
			- N.1 - 2.1519.025.2/10 - 2.0399.128.2/10
25	2.1589.146.0		shoulder ring 15.2 x 19 x 0.15
25	2.1589.147.0		shoulder ring 15.2 x 19 x 0.10
25	2.1589.153.0	1	shoulder ring 15.2 x 19 x 1.00
26	2.1410.057.1	1	circlip 15

Thank you so much for reading.
Please click the “Buy Now!”
button below to download the
complete manual.



After you pay.

You can download the most
perfect and complete manual in
the world immediately.

Our support email:

ebooklibonline@outlook.com