

Section: ENGINE
CRANKCASE

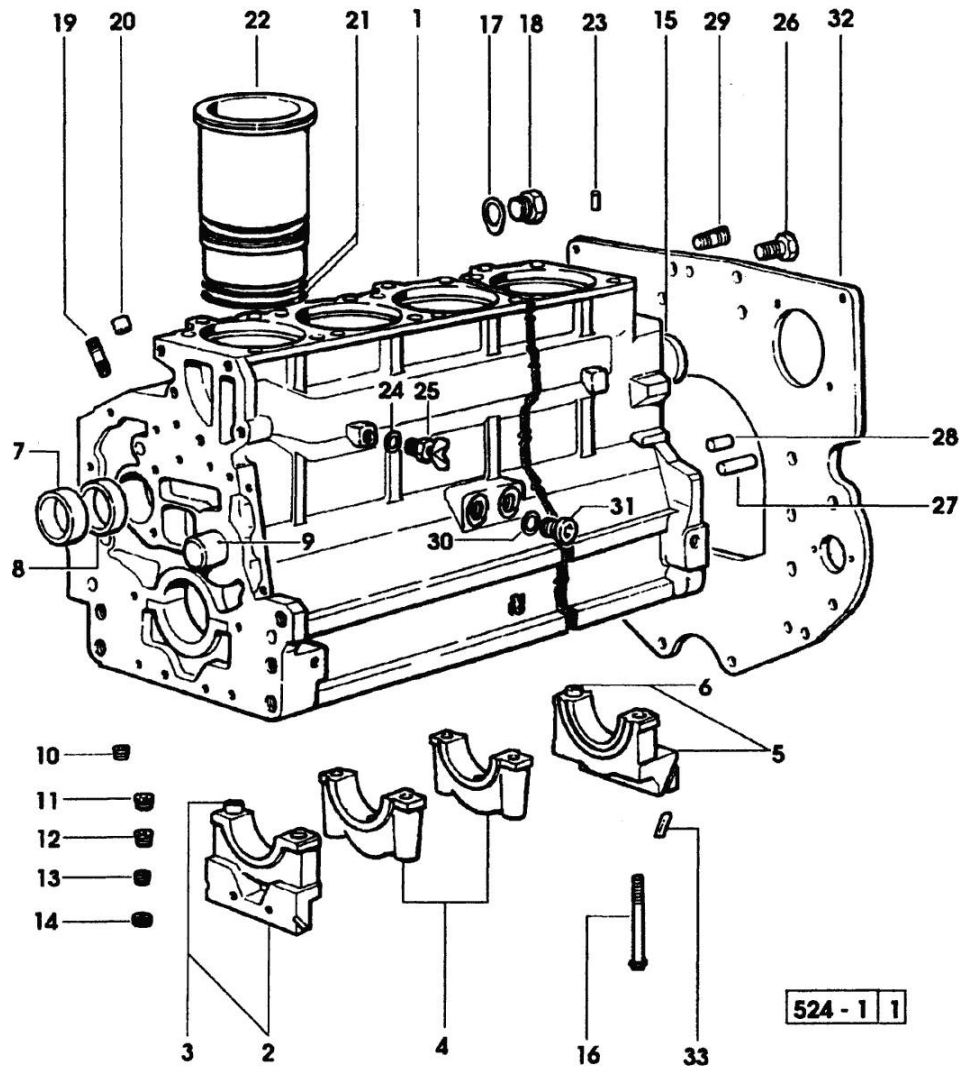
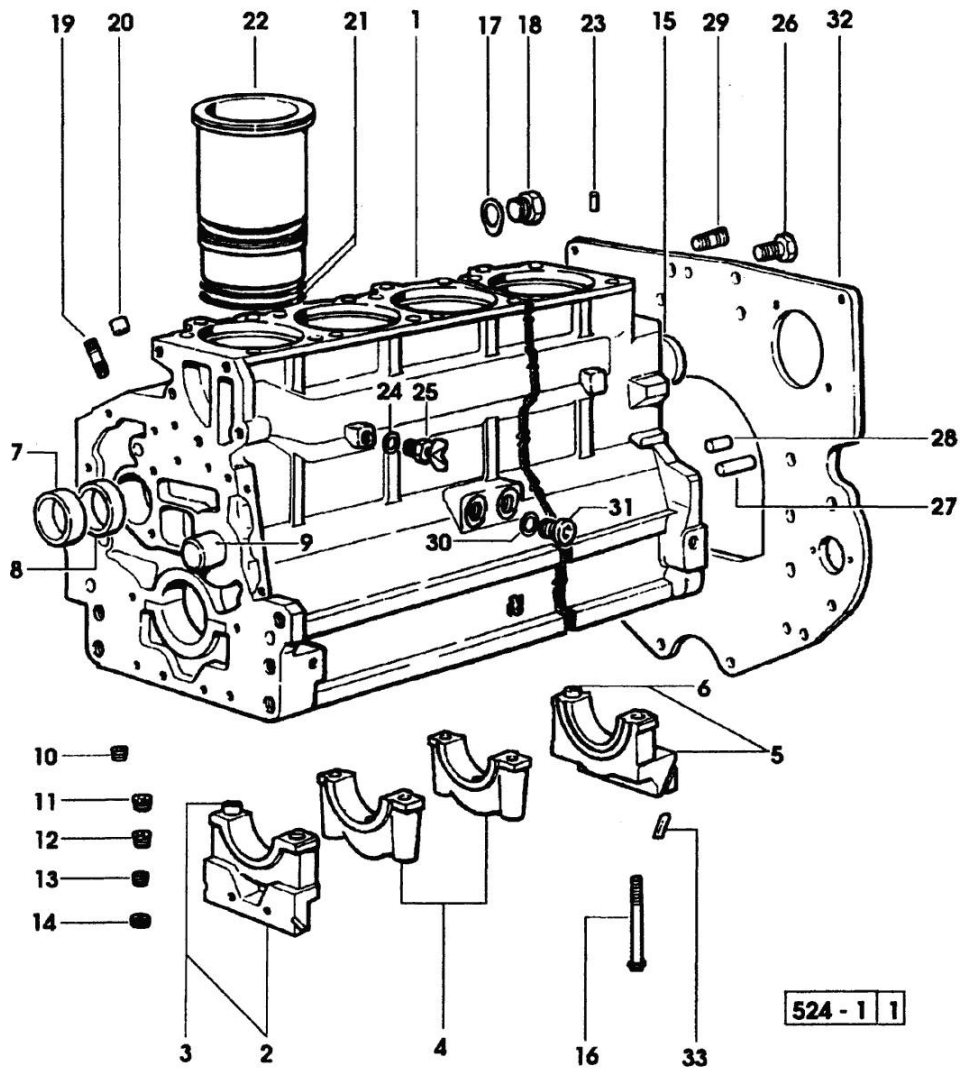


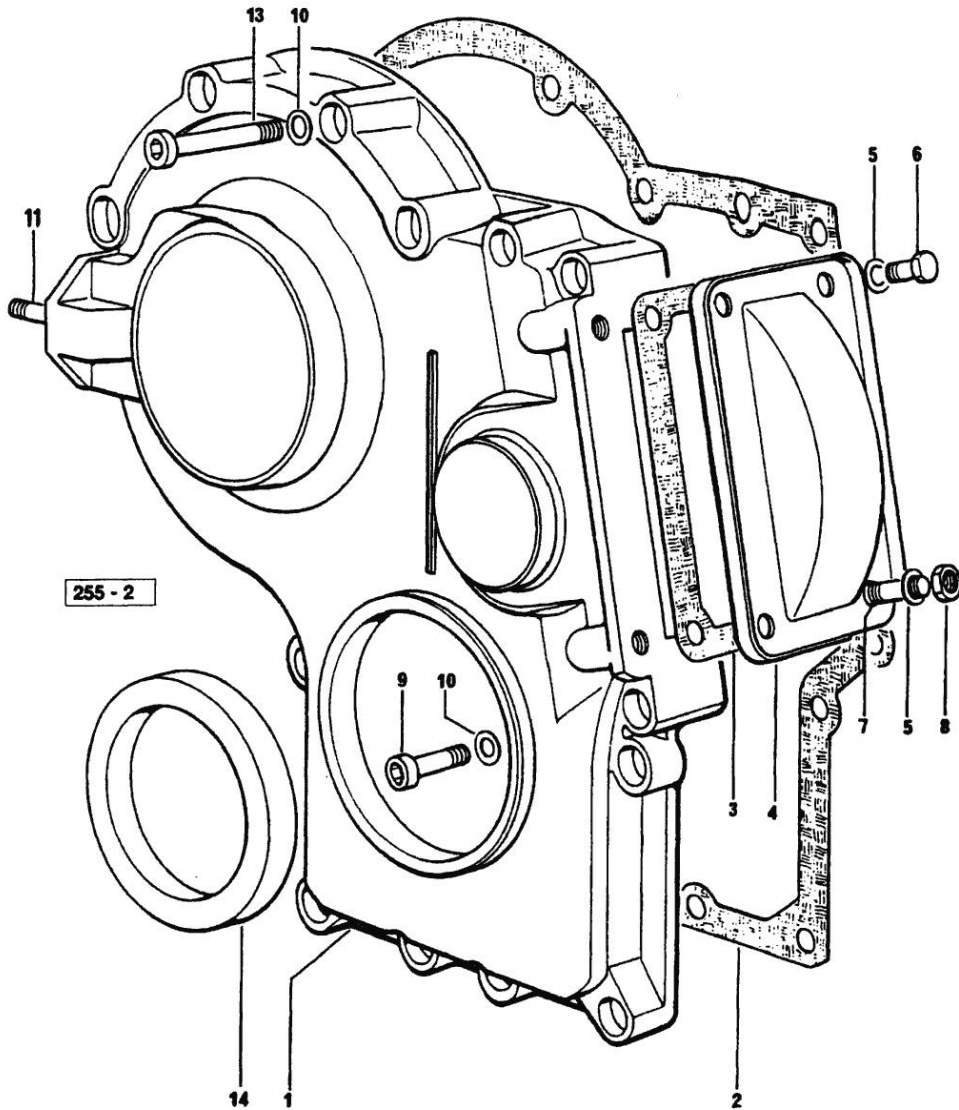
Fig.	P/n	QTY	Name
Notes:			
[H 6115 ELITE]			
0	0.337.0050.6	1	gasket set - FOR ENGINE MOUNTING
1	0.007.1102.6	1	crankcase =>1170 X H 6115 ELITE =>1151 X H 6135 ELITE
1	0.078.1110.6	1	crankcase 1169<= X H 6115 ELITE 1150<= X H 6135 ELITE
2	0.065.1112.3	1	support
3	2.1699.165.0	1	bush 12.3x15x16
4	0.065.1114.0/10	5	support
5	0.007.0848.3/10	1	support =>1170 X H 6115 ELITE =>1151 X H 6135 ELITE
5	0.065.1116.3	1	support 1169<= X H 6115 ELITE 1150<= X H 6135 ELITE
6	2.1699.165.0	1	bush 12.3x15x16
7	0.065.1141.0	1	special bushing 59X55X30
8	0.065.1140.0	6	special bushing 59X55X20
9	0.066.1151.0	1	pin
10	2.3130.001.1	14	plug 1/8" gas
11	2.3130.002.1	2	plug 1/4" gas
12	2.3130.003.1	7	plug 3/8" gas
13	2.3131.006.0	1	plug m 22 x 1.5
14	2.1324.011.0	1	plug
15	2.3179.012.0	1	plug 60
16	0.065.1117.0	14	screw m 12 x 100
17	2.1539.047.0	1	special oil seal 26.7x1.78
18	2.3199.405.2	1	plug m 28 p.1.5
19	2.0432.003.7	18	stud bolt m 8 p.1.25 / p.1 x 20
20	2.1559.188.0/10	6	bush
21	2.1519.096.0/20	12	special oil seal 107.67x1.78
22	0.088.1120.0/20	6	engine cylinder
23	2.1549.154.2	6	bush 4.8x5.8x16
24	2.1560.009.0	1	gasket 14.2x18
25	0.049.1152.0	1	cock
26	2.0112.511.1	8	screw m 14 p.2 x 30
27	2.1651.912.0	2	cylindrical plug 12x28
28	2.1651.917.0	1	cylindrical plug 12x40
29	2.0432.255.7	2	stud bolt m 12 p.1.75-1.25x25

Section: ENGINE
CRANKCASE

Fig.	P/n	QTY	Name
30	2.1560.017.0	1	gasket 22.2 x 27
31	2.3120.002.4	1	plug m 22 x 1.5
32	0.007.0805.0/10	1	flange 1289<= X H 6115 ELITE 1273<= X H 6135 ELITE
32	0.007.0805.0/20	1	flange =>1290 X H 6115 ELITE =>1274 X H 6135 ELITE
33	0.066.1152.0/10	4	gasket



Section: ENGINE
TIMING CASE



Notes:
[H 6115 ELITE]

Fig.	P/n	QTY	Name
1	0.065.1132.0/20	1	guard
2	0.065.1150.0/20	1	gasket
3	0.065.1152.0	1	gasket
4	0.065.1151.0	1	cover
5	2.1470.004.2	4	lock washer 8
6	2.0112.205.2	2	screw m 8 p.1.25 x 16
7	2.0432.003.7	2	stud bolt m 8 p.1.25 / p.1 x 20
8	2.1011.405.2	2	nut m 8 p.1
9	2.0312.214.1	3	screw m 8 p.1.25 x 40
10	2.1480.014.1	15	washer 8
11	2.0432.003.7	2	stud bolt m 8 p.1.25 / p.1 x 20
13	2.0312.208.2	8	screw m 8 p.1.25 x 25
13	2.0312.219.2	4	screw m 8 p.1.25x65
14	2.1529.108.0	1	special oil seal 70x90x10

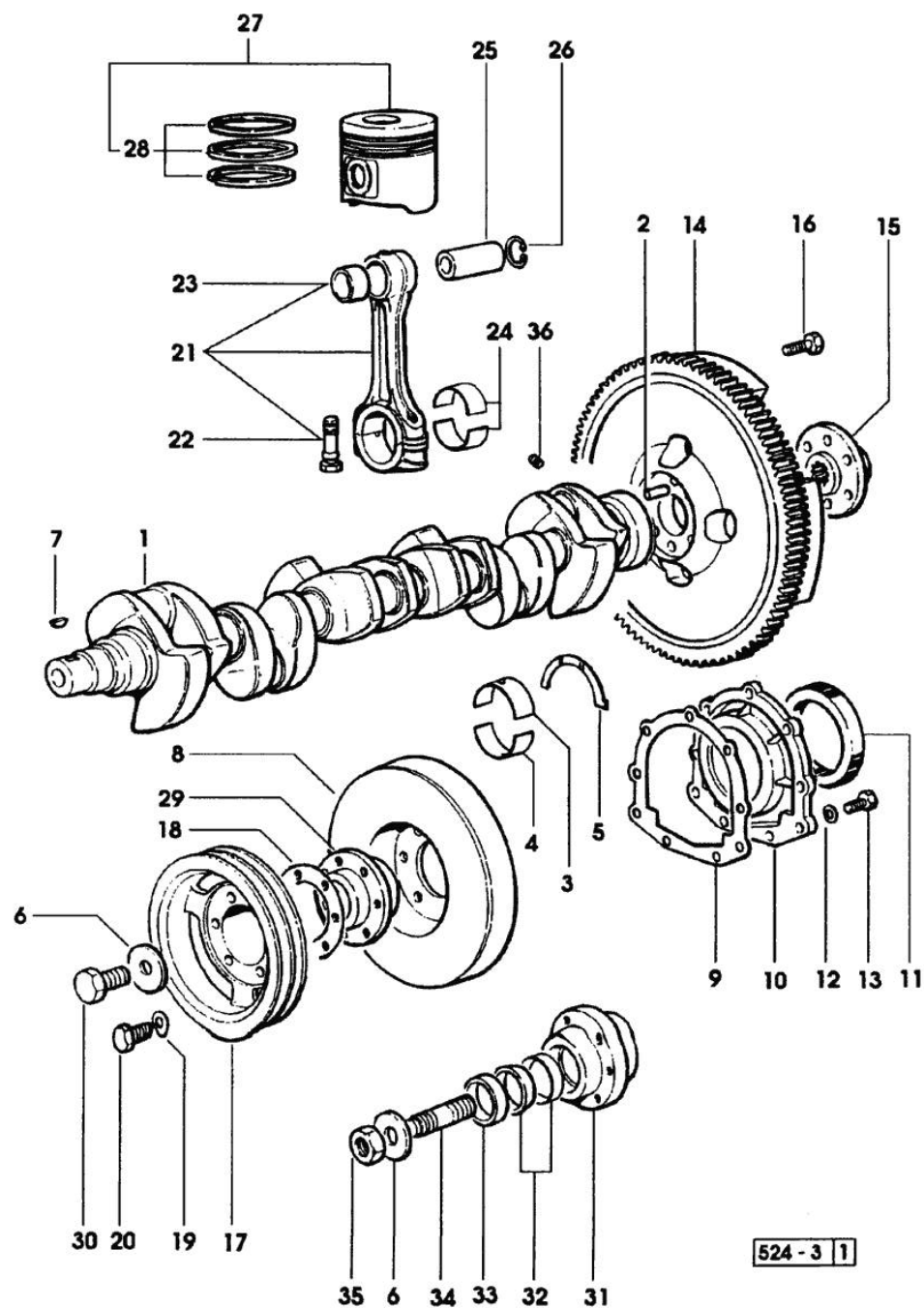
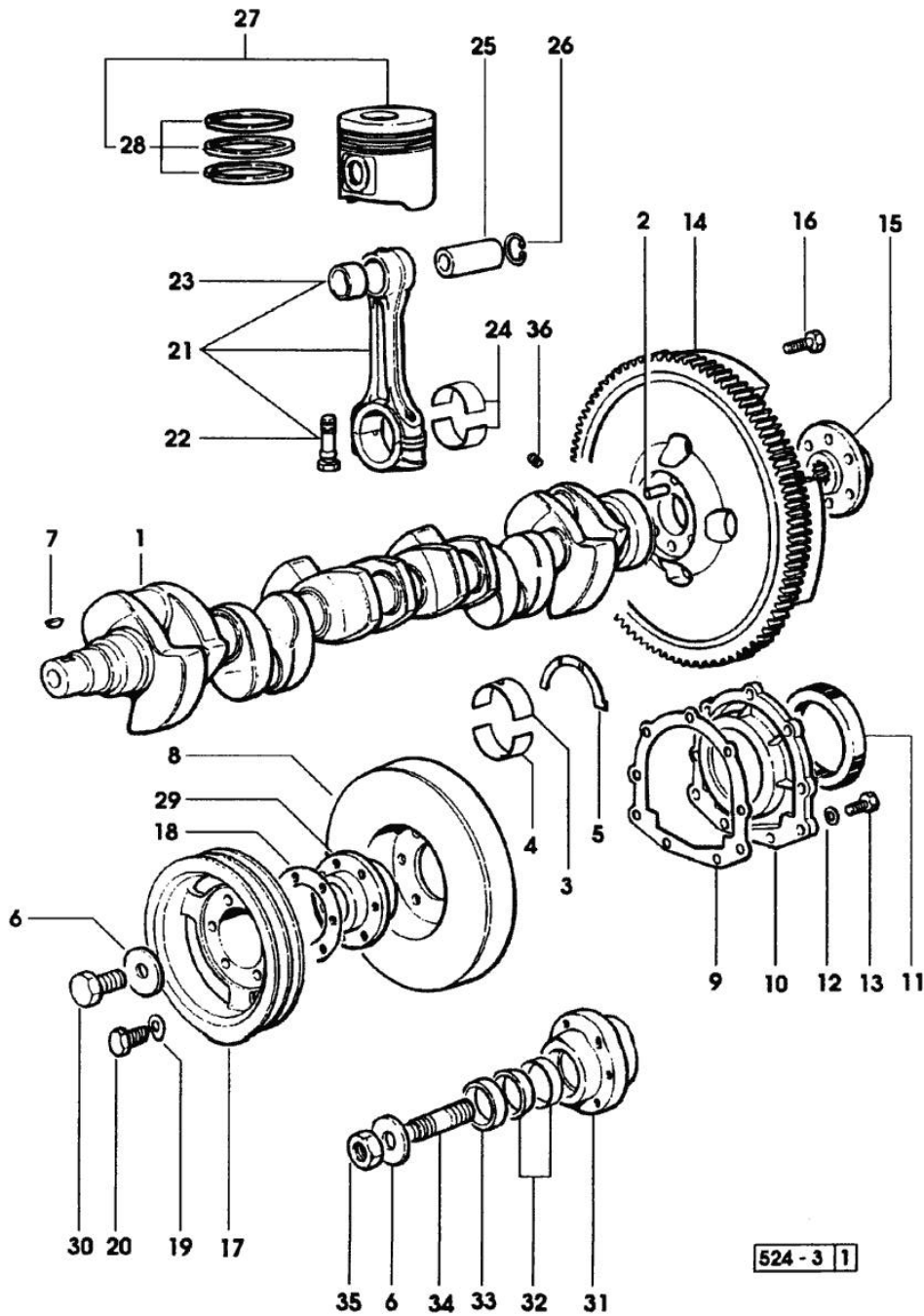

 Section: ENGINE
CRANKSHAFT

Fig.	P/n	QTY	Name
Notes:			
[H 6115 ELITE]			
1	0.006.5605.3	1	crankshaft 1169<=
1	0.006.5605.3/30	1	crankshaft =>1170
1	0.007.0855.0	1	gear =>1170
2	2.1652.915.0	1	cylindrical plug 12x35
3	0.065.1215.0	7	main half bushing STANDARD
3	0.065.1215.7	7	main half bushing - mm 0.25
3	0.065.1215.8	7	main half bushing - mm 0.50
4	0.065.1216.0	7	main half bushing
4	0.065.1216.7	7	main half bushing - mm 0.25
4	0.065.1216.8	7	main half bushing - mm 0.50
5	0.065.1218.0	4	shim STANDARD
5	0.065.1218.7	4	shim + mm 0.10
5	0.065.1218.8	4	shim + mm 0.15
6	2.1599.524.7	1	washer 21x60x12
7	2.1720.006.0	1	key 4x6.5
8	0.007.1010.3	1	antivibration pulley
9	0.065.1254.0/10	1	gasket
10	0.007.0851.0	1	cover =>1170
10	0.065.1253.0/10	1	cover 1169<=
11	2.1529.073.0	1	special oil seal 110x130x13
12	2.1474.009.2	9	spring washer 8
13	2.0112.207.2	9	screw m 8 p 1.25 x 20
14	0.008.4049.3	1	flywheel mm 373
14	0.065.1242.0	1	crown wheel Z = 123
15	0.288.3625.0	1	flange
16	2.0139.023.2	6	screw
17	0.007.0962.0/20	1	pulley
18	2.1589.137.0	2	shoulder ring 71x110x1
19	2.1470.006.2	6	lock washer 10
20	2.0112.322.2	6	screw m 10 p.1.5x65
21	0.078.1220.3/10	6	engine connecting rod - X 1000.4 W
22	2.0139.021.0	2	screw
23	2.1559.114.0/10	1	special bushing
24	0.065.1225.0	12	con.rod half bushing STANDARD - A = 28.75 -> 29.00
24	0.065.1225.7	12	con.rod half bushing - mm 0.25
24	0.065.1225.8	12	con.rod half bushing - mm 0.50

Section: ENGINE

CRANKSHAFT

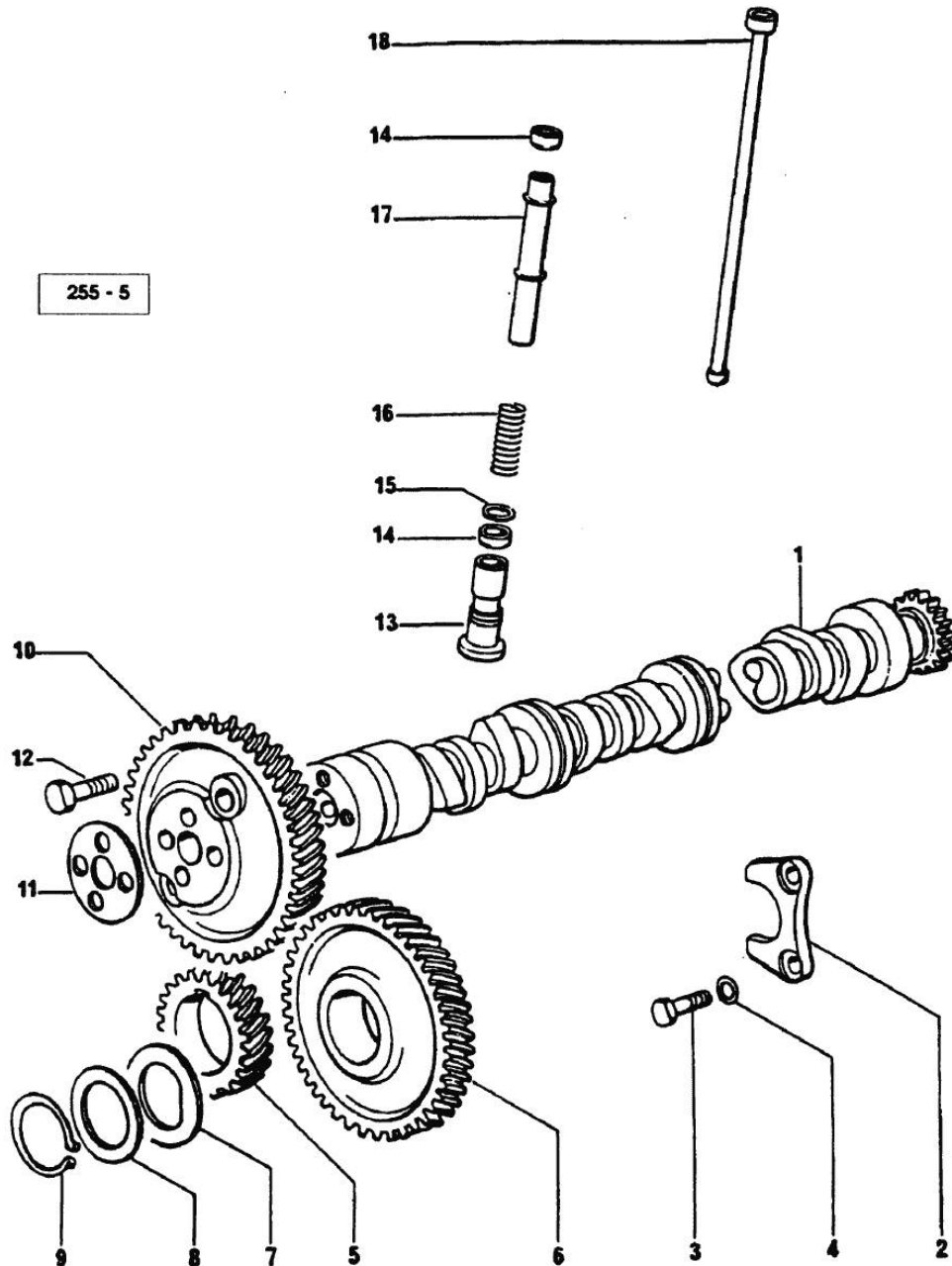


524 - 3 | 1

Fig.	P/n	QTY	Name
25	0.078.1236.0	6	piston pin Ø 18 / Ø 35 / L = mm 86
26	2.1411.014.1	12	circlip 35
27	0.086.0060.6/10	6	complete piston
28	0.086.0052.6	1	piston ring set
29	0.007.0896.0/10	1	hub
			1169<=
29	0.007.1187.0	1	hub
			=>1170
30	2.0399.144.7	1	screw m 20 p.1.5x51
31	0.007.0894.0/10	1	hub
			1169<=
			PER P.T.O. ANTERIORE
31	0.007.1014.0	1	hub
			=>1170
			FOR FRONT PTO
32	0.035.1263.0	2	ring
			=>1170
32	0.065.1256.0	2	ring 45x52
			1169<=
33	2.1579.865.0	1	spacer 45.2x51.8x10
			1169<=
33	2.1579.949.0	1	ring 50.2x56.8x8
			=>1170
34	2.0439.195.7	1	stud bolt m 20 p.1.5x80
35	2.1019.094.7	1	nut m 20 p.1.5
36	2.3130.001.1	6	plug 1/8" gas

Section: ENGINE

CAMSHAFT



255 - 5

Fig.	P/n	QTY	Name
Notes:			
[H 6115 ELITE]			
1	0.065.1324.0/10	1	gear Z = 32
1	0.075.1310.3/20	1	camshaft
2	0.065.1353.0	1	small plate
3	2.0312.205.2	2	screw
4	2.1480.014.1	2	washer 8
5	0.007.1188.0	1	gear =>1170 X H 6115 ELITE =>1151 X H 6135 ELITE
5	0.065.1323.0/20	1	gear Z = 29 1169<= X H 6115 ELITE 1150<= X H 6135 ELITE
6	0.007.1177.3	1	gear =>(…) WITH RED IDENTIFICATION TAG
6	0.007.1178.3	1	gear =>(…) WITH YELLOW IDENTIFICATION TAG
6	0.007.1179.3	1	gear =>(…) WITH GREEN IDENTIFICATION TAG
6	065.1325.3/20	1	- (…)<=
6	2.1559.185.0/10	1	bushing
7	0.065.1351.0	2	shoulder ring
8	0.065.1352.0	1	shim
9	2.1410.016.1	1	circlip 40
10	0.065.1354.0/10	1	gear z=58
11	0.065.1350.0	1	small disc
12	2.0132.207.2	4	screw m 10 p.1 x 25
13	0.065.1330.0	12	tappets
14	2.1569.114.0/10	24	gasket 14x18.5x8
15	2.1599.437.0	12	shoulder ring
16	2.4019.300.1	12	spring
17	0.065.1332.0	12	sleeve
18	0.065.1331.2	12	rod

Section: ENGINE
CYLINDER HEAD

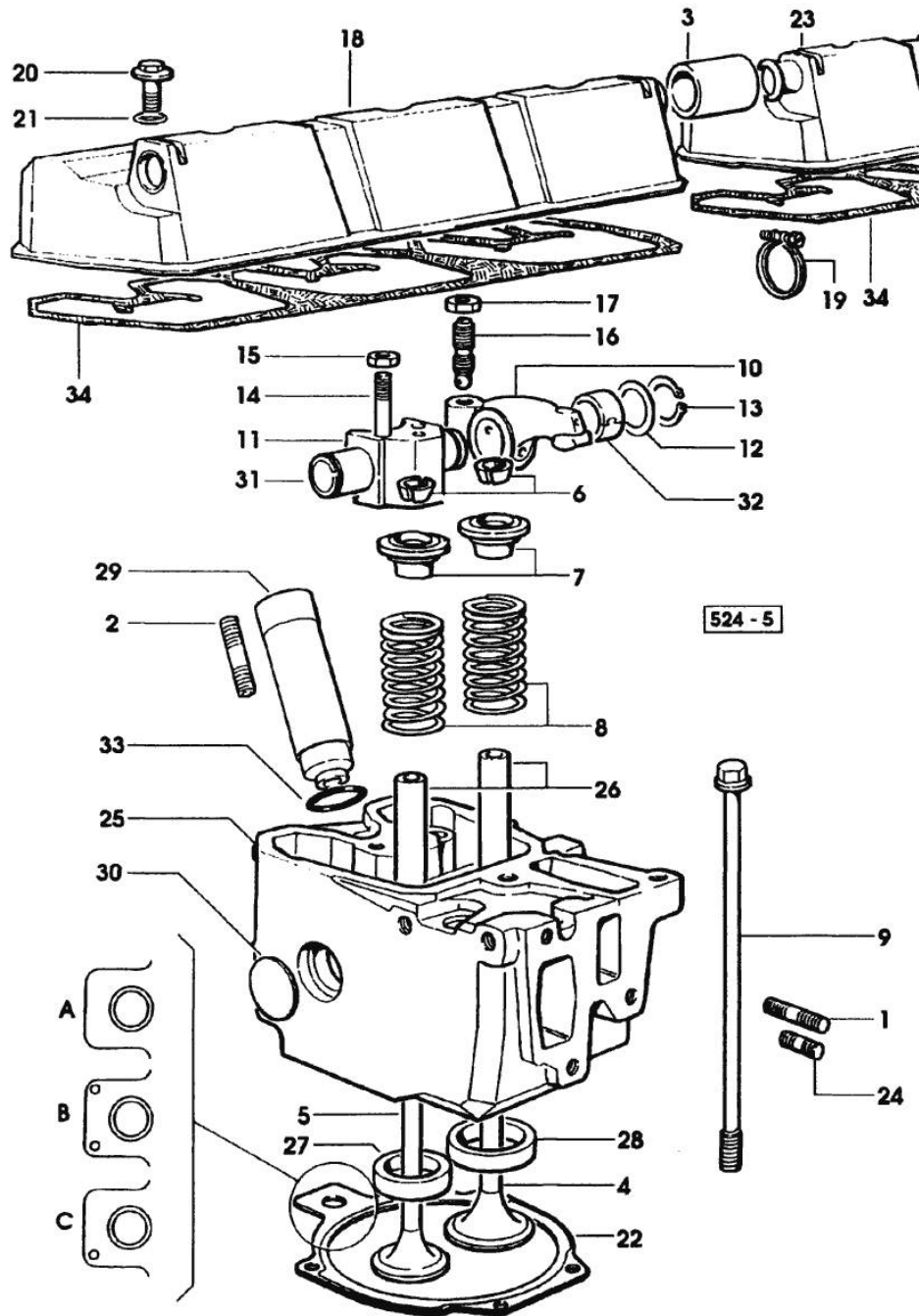


Fig.	P/n	QTY	Name
------	-----	-----	------

Notes:
[H 6115 ELITE]

1	2.0432.011.7	6	stud bolt m 8 p.1.25 / p.1 x 40
2	2.0432.161.7	6	stud bolt m 10 p.1.5 / p.1.25 x 40
3	0.075.1452.0/10	1	sleeve
4	0.078.1420.0	6	inlet valve X H 6115 ELITE
4	0.081.1420.0	6	inlet valve Ø mm 9 X H 6135 ELITE
5	0.066.1421.0	6	exhaust valve
6	0.074.1423.0	12	conical valve cotter
7	0.066.1425.0	12	cup
8	2.4019.287.0	12	spring
9	0.066.1443.0/10	24	screw
10	0.066.1432.0	6	rocker arm
11	0.066.1430.0	6	support
12	2.1599.432.0	12	shoulder ring
13	2.1410.055.1	12	circlip 19
14	2.0432.163.7	6	stud bolt m 10 p.1.5 / p.1.25 x 45
15	2.1011.421.2	12	nut m 10 p.1.25
16	0.021.1434.0	12	screw
17	2.1011.405.2	12	nut m 8 p.1
18	0.078.1440.3	1	cover
18	2.3171.008.4	1	plug 20
19	2.6859.091.0	2	clamp
20	2.0399.130.2	6	screw m 8 x 30
21	2.1539.073.0	6	special oil seal 14x1.78
22	0.078.1451.0/30	6	gasket "A"
22	0.078.1452.0/20	6	gasket "B"
22	0.078.1453.0/30	6	gasket "C"
23	0.078.1450.3	1	cover
24	2.0432.005.7	6	stud bolt m 8 p.1.5 / p.1 x 25
25	0.078.1410.3/60	6	engine head
26	0.066.1416.0	12	valve guide
27	0.066.1427.0	6	valve seat
28	0.078.1426.0	6	valve seat
29	0.066.1413.0	6	bush
30	2.3170.012.1	12	expansion plug 30
31	0.066.1431.0	6	pin
32	2.1559.021.0/40	6	bushing 15x19x22
33	2.1530.056.0	6	oil seal 21.82 x 3.53
34	0.069.1450.0/20	2	gasket

Section: ENGINE
LUBRICATION 1169<=

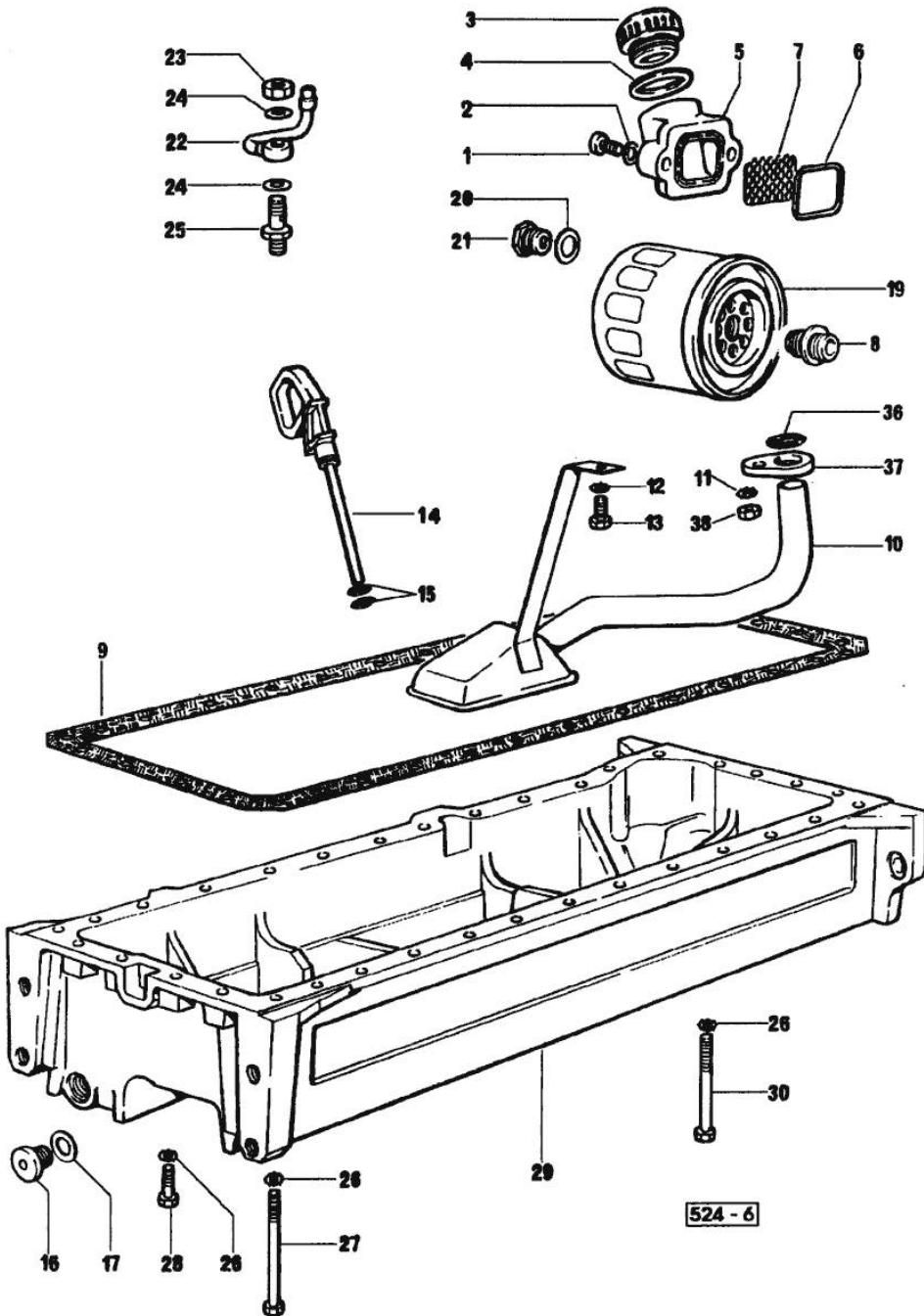


Fig.	P/n	QTY	Name
------	-----	-----	------

Notes:
 [H 6115 ELITE]

1	2.0312.205.2	2	screw
2	2.1480.014.1	2	washer 8
3	0.041.1135.4	1	plug 1" gas
4	2.1569.072.0	1	gasket 32 x 39.5 x 2
5	0.065.1565.0/10	1	pipe union
6	2.1539.042.0	1	special oil seal 47.35x1.78
7	0.065.1567.0/10	1	filter
8	2.3339.307.0	2	pipe fitting m 22 p.1.5-3/4"
9	0.075.1512.0	1	gasket
10	0.007.0880.3	1	tube
11	2.1470.004.2	1	lock washer 8
12	2.1470.004.2	1	lock washer 8
13	2.0112.205.2	1	screw m 8 p.1.25 x 16
14	0.080.1513.2	1	dipstick A = mm 85
15	2.1539.065.0	2	special oil seal 8.73 x 1.78
16	2.3199.001.2	1	plug 1/2" gas
17	2.1560.054.0	1	gasket 21 x 26
19	0.044.1567.0	2	oil filter element
20	2.1560.014.0	1	washer 18.2 x 24
21	2.3339.353.2/10	1	pipe fitting 12 p.1.5-18 p.1.5
22	0.086.1550.2	6	sprayer nozzle
23	2.1099.108.2	6	special nut m 10 p.1
24	2.1560.006.0	12	gasket 10.2 x 16
25	0.065.1160.3/20	6	valve
26	2.1470.004.2	34	lock washer 8
27	2.0112.237.2	2	screw m 8 p.1.25x140
28	2.0112.215.2	25	screw m 8 p.1.25 x 40
29	0.007.0792.0/10	1	oil sump
30	2.0112.229.2	3	screw m 8 p.1.25 x 100
30	2.0112.235.2	3	screw m 8 p.1.25 x 130
30	2.0112.241.2	1	screw m 8 p.1.25 x 160
36	2.1539.040.0	1	special oil seal 21.82 x 3.53
37	0.065.1538.0	1	flange
38	2.1011.105.2	1	nut m 8 p.1.25

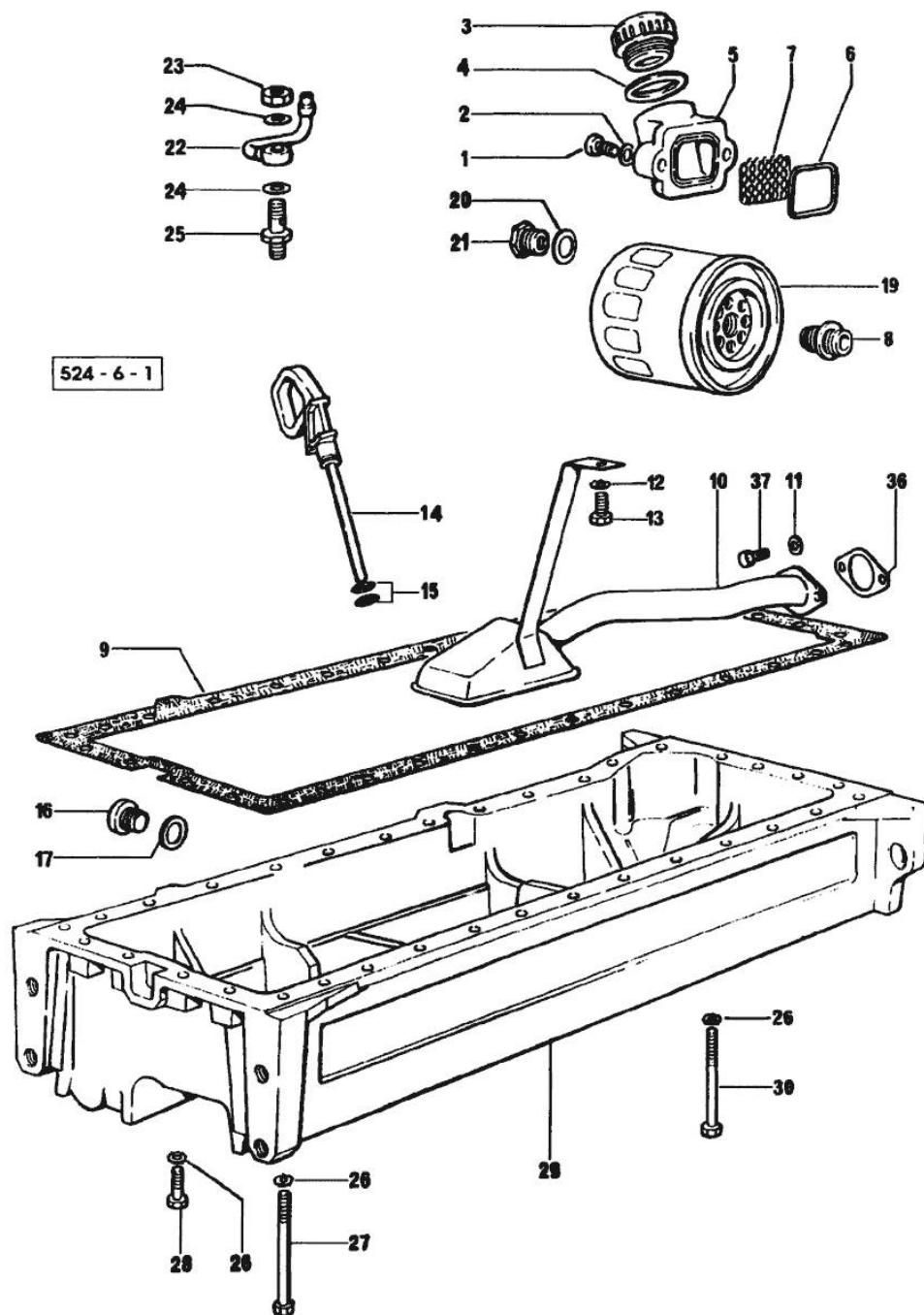
Section: ENGINE

LUBRICATION =>1170

Fig.	P/n	QTY	Name
------	-----	-----	------

Notes:

[H 6115 ELITE]

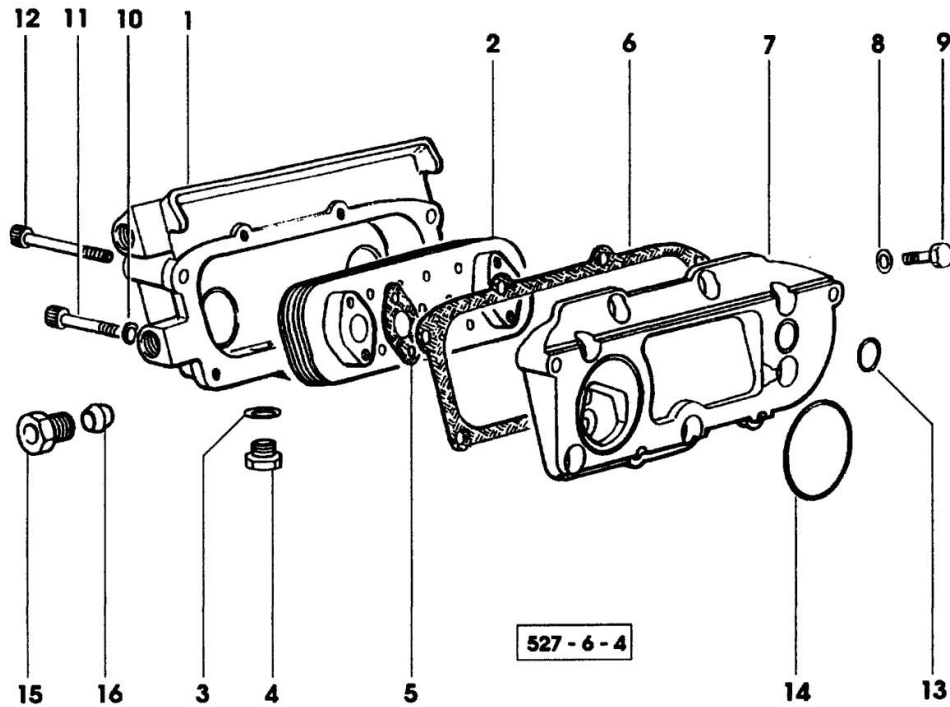


1	2.0312.205.2	2	screw
2	2.1480.014.1	2	washer 8
3	0.041.1135.4	1	plug 1" gas
4	2.1569.072.0	1	gasket 32 x 39.5 x 2
5	0.065.1565.0/10	1	pipe union
6	2.1539.042.0	1	special oil seal 47.35x1.78
7	0.065.1567.0/10	1	filter
8	2.3339.307.0	2	pipe fitting m 22 p.1.5-3/4"
9	0.007.0849.0	1	gasket
10	0.007.0995.3	1	tube
11	2.1470.004.2	2	lock washer 8
12	2.1470.004.2	1	lock washer 8
13	2.0112.205.2	1	screw m 8 p.1.25 x 16
14	0.080.1513.2	1	dipstick A = mm 85
15	2.1539.065.0	2	special oil seal 8.73 x 1.78
16	2.3199.001.2	1	plug 1/2" gas
17	2.1560.054.0	1	gasket 21 x 26
19	0.044.1567.0	2	oil filter element
20	2.1560.014.0	1	washer 18.2 x 24
21	2.3339.353.2/20	1	pipe fitting 12 p.1.5-18 p.1.5
22	0.086.1550.2	6	sprayer nozzle
23	2.1099.108.2	6	special nut m 10 p.1
24	2.1560.006.0	12	gasket 10.2 x 16
25	0.065.1160.3/20	6	valve
26	2.1470.004.2	34	lock washer 8
27	2.0112.237.2	2	screw m 8 p.1.25x140
27	2.0112.241.2	2	screw m 8 p.1.25 x 160
28	2.0112.215.2	25	screw m 8 p.1.25 x 40
29	0.007.0991.0	1	oil sump 1289<=
29	0.007.1311.0	1	oil sump =>1290
30	2.0112.229.2	3	screw m 8 p.1.25 x 100
30	2.0112.235.2	2	screw m 8 p.1.25 x 130
30	2.0112.241.2	2	screw m 8 p.1.25 x 160
36	0.007.0997.0	1	gasket
37	2.0112.207.2	2	screw m 8 p 1.25 x 20

Section: ENGINE
LUBRICATION

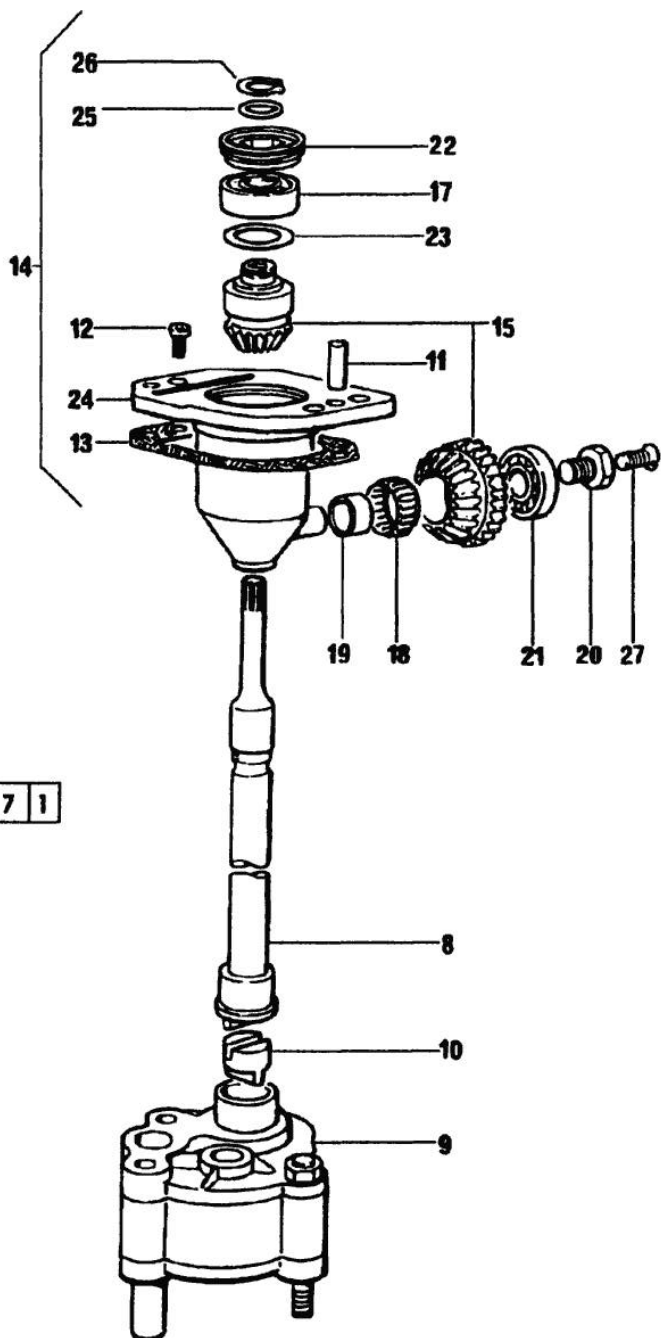
Fig.	P/n	QTY	Name
------	-----	-----	------

Notes:
 [H 6115 ELITE]



1	0.007.0703.0/10	1	box
2	0.007.1239.3	1	radiator
3	2.1560.014.0	1	washer 18.2 x 24
4	2.3120.101.0	1	plug m 18 p.1.5
5	0.078.1557.0	2	gasket
6	0.078.1556.0	1	gasket
7	0.078.1555.0/10	1	plate
8	2.1310.004.2	8	flat washer 8.4x17
9	2.0112.205.2	8	screw m 8 p.1.25 x 16
10	2.1480.014.1	4	washer 8
11	2.0312.220.1	2	screw m 8 p.1.25x70
12	2.0312.222.2	2	screw m 8 p.1.25 x 80
13	2.1539.048.0	1	special oil seal 20.35x1.78
14	2.1539.050.0	1	special oil seal 69.57x1.78
15	2.3249.023.1	2	pipe fitting m 24 p.2
16	2.3350.008.1	2	nosepiece 18

Section: ENGINE
LUBRICATION



Notes:
[H 6115 ELITE]

Fig.	P/n	QTY	Name
8	0.065.1569.0/20	1	shaft
9	0.007.0271.4/20	1	oil pump
10	0.065.1562.0/10	1	joint
11	2.1652.711.0	2	cylindrical plug 8x25
12	2.0169.005.2	2	screw m 6 p.1 x 12
13	0.065.1560.0/20	2	gasket
14	0.075.1551.4/20	1	support
15	0.065.1558.6/10	1	bevel drive
17	2.2020.001.0	1	ball bearing 15 x 32 x 8.00
18	2.2725.016.0	1	roller cage 15 x 21 x 12
19	2.2680.020.0	1	ring 12 x 15 x 12
20	2.0399.128.2/10	1	screw m 8 p.1 x 8
21	2.2030.002.0	1	ball bearing 12 x 28 x 8
22	2.1219.025.2/10	1	ring nut m 36 p.1.5
23	2.1589.148.0	1	shoulder ring 28.2 x 31.8 x 0.5
23	2.1589.150.0	1	shoulder ring 28.2 x 31.8 x 0.1
23	2.1589.151.0	1	shoulder ring 28.2 x 31.8 x 0.15
24	0.075.1551.3/30	1	support
25	2.1589.146.0	1	shoulder ring 15.2 x 19 x 0.15
25	2.1589.147.0	1	shoulder ring 15.2 x 19 x 0.10
25	2.1589.153.0	1	shoulder ring 15.2 x 19 x 1.00
26	2.1410.057.1	1	circlip 15
27	2.0342.007.2	1	screw m 4 p.0.7x25


524 - 7 1

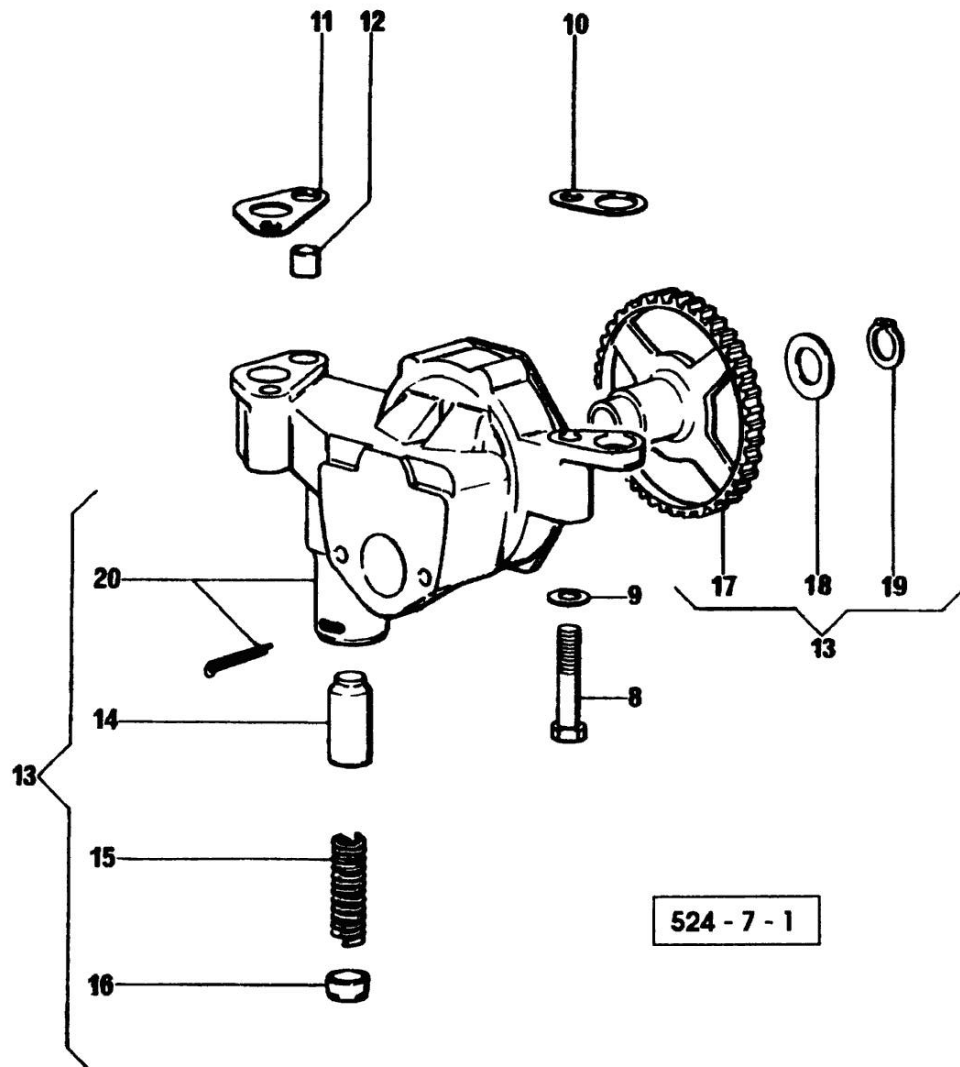
Section: ENGINE
LUBRICATION

Fig.	P/n	QTY	Name
------	-----	-----	------

Notes:

=>1170 X H 6115 ELITE [H 6115 ELITE]

8	2.0112.322.2	3	screw m 10 p.1.5x65
9	2.1310.006.2	3	flat washer 10.5x21
10	0.007.0972.0	1	shim
11	0.007.0973.0	1	shim
12	0.007.0867.0	1	bush
13	0.007.0983.4	1	oil pump  0.007.0983.4
14	0.007.1371.0	1	piston
15	0.007.1373.0	1	spring
16	0.007.1372.0	1	cup
17	0.007.1438.0	1	gear
18	0.007.1437.0	1	washer
19	0.007.1436.0	1	circlip
20	0.000.0000.1	1	cannot be supplied



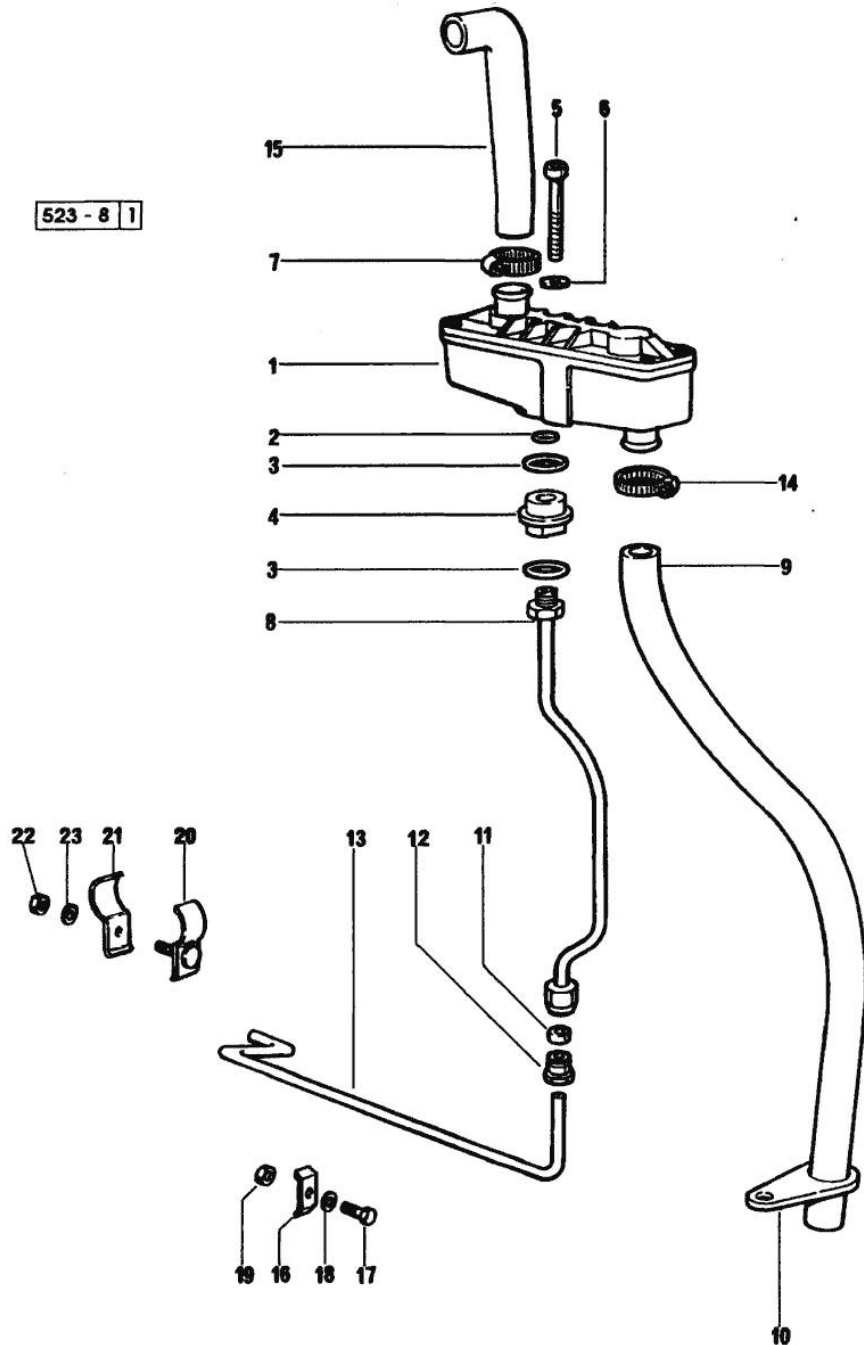
Section: ENGINE
LUBRICATION

Fig.	P/n	QTY	Name
------	-----	-----	------

Notes:
[H 6115 ELITE]

1	0.075.1557.4	1	sediment bowl ☞ 01.00.15
2	2.1560.008.0	1	gasket 12.2 x 18
3	2.1539.072.0	2	special oil seal 23.52 x 1.78
4	0.075.1553.0	1	bush
5	2.0312.221.2	2	screw m 8 p.1.25x75
6	2.1480.014.1	2	washer 8
7	2.6859.086.0	2	clamp
8	0.007.0861.0	1	tube
9	0.075.1554.0	1	tube
10	0.075.1151.0	1	bracket
11	2.3350.003.1	1	nosepiece 8
12	2.3339.418.1	1	pipe fitting m 12 p.1
13	0.007.0970.0	1	tube =>1170 X H 6115 ELITE =>1151 X H 6135 ELITE
13	0.075.1516.0	1	- 1169<= X H 6115 ELITE 1150<= X H 6135 ELITE
14	2.6859.086.0	1	clamp
15	0.075.1453.0	1	tube
16	0.002.8816.0	1	small plate =>1170 X H 6115 ELITE =>1151 X H 6135 ELITE
17	2.0112.007.2	1	screw m 6 p.1 x 20
18	2.1310.002.2	1	flat washer 6.4x12.5
19	2.1011.103.2	1	nut m 6 p.1
20	0.075.1552.2	1	bracket 1169<= X H 6115 ELITE 1150<= X H 6135 ELITE
21	0.075.1552.0	1	bracket 1169<= X H 6115 ELITE 1150<= X H 6135 ELITE
22	2.1011.103.1	1	nut
23	2.1470.002.2	1	lock washer 6

523 - 8 | 1



Section: ENGINE

OIL VAPORS SEDIMENT BOWL PARTS

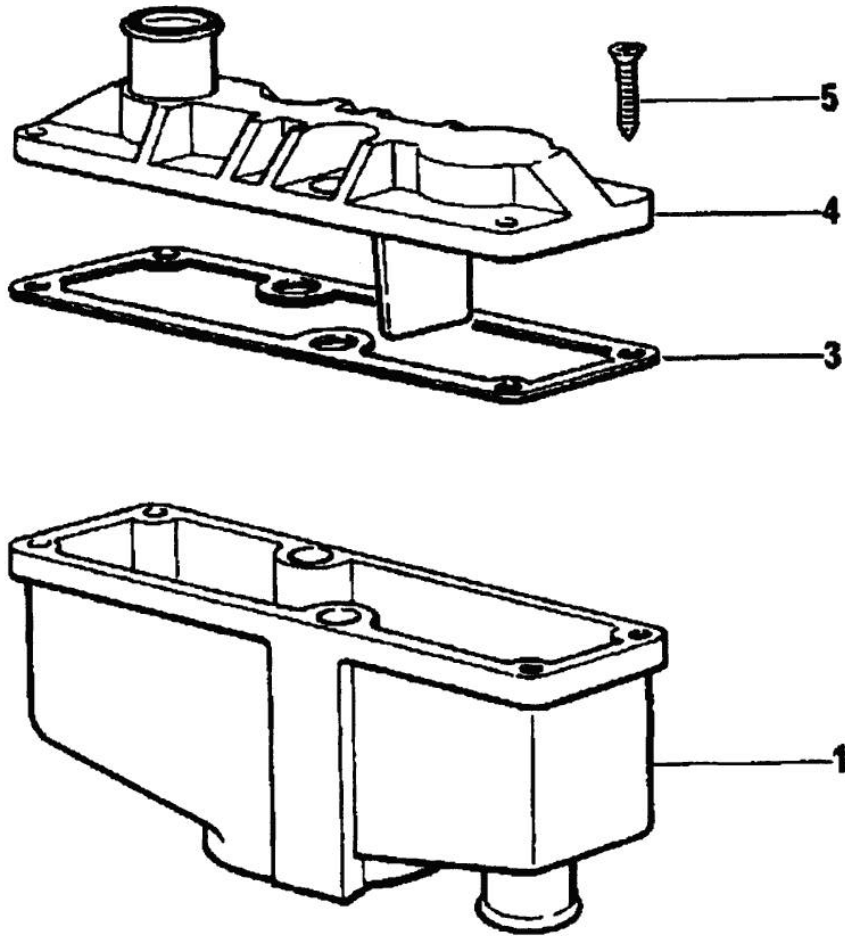


Fig.	P/n	QTY	Name
------	-----	-----	------

Notes:
[H 6115 ELITE]

1	0.075.1558.3	1	old part number
3	0.075.1559.0	1	gasket
4	0.075.1557.3	1	old part number
5	2.0351.203.2	4	screw 3.5x9.5

075.1557.4 *

Section: ENGINE
FUEL SUPPLY SYSTEM

523 - 10

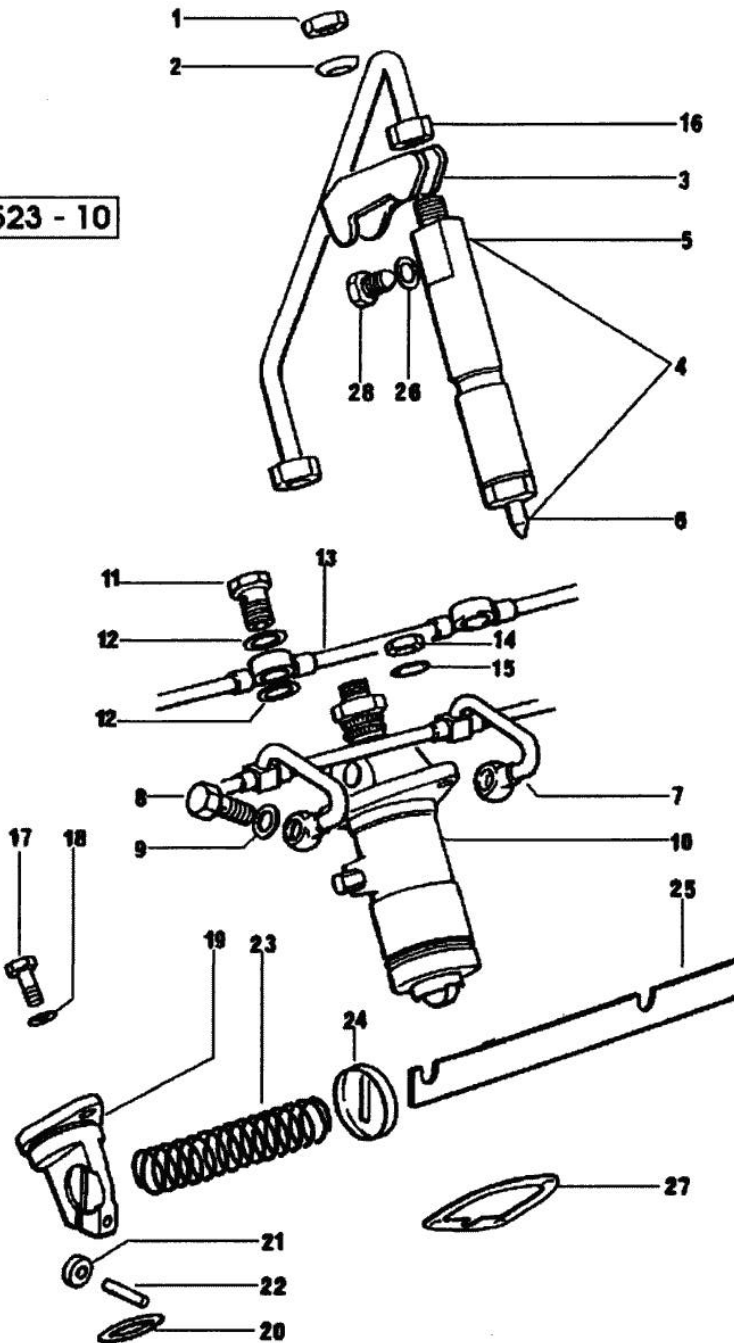


Fig.	P/n	QTY	Name
Notes:			
[H 6115 ELITE]			
1	2.1011.421.2	6	nut m 10 p.1.25
2	2.1599.454.0	6	shoulder ring 10.5x17x7.5
3	0.066.1666.0	6	bracket
4	2.4719.200.0/10	6	injector assembly BOSCH
5	2.4719.190.0	1	nozzle holder BOSCH ↳ 2.4719.190.0 ↳ 01.00.22
6	2.4729.100.0	1	nozzle BOSCH
7	0.007.1789.3	1	tube
8	2.3339.001.0	6	pipe fitting m 10 p.1
9	2.1560.005.0	12	copper gasket 10.2 x 14
10	2.4619.031.0	1	injector pump "A" (...)<= ↳ 2.4619.031.0 ↳ 01.00.20
10	2.4619.031.1	1	injector pump "B" (...)<= ↳ 2.4619.031.1 ↳ 01.00.20
10	2.4619.031.2	1	injector pump "C" (...)<= ↳ 2.4619.031.2 ↳ 01.00.20
10	2.4619.031.3	1	injector pump "D" (...)<= ↳ 2.4619.031.3 ↳ 01.00.20
10	2.4619.050.0	1	injector pump - 517 - BOSCH => (...) ↳ 01.00.21
11	2.3339.118.1	6	pipe union m 12 p.1.5
12	2.1560.008.0	12	gasket 12.2 x 18
13	0.075.1646.3/10	1	tube
14	2.1011.405.2	18	nut m 8 p.1
15	2.1599.458.0/10	18	shoulder ring 8.4x18x2
16	0.065.1650.3	6	tube
17	2.0112.207.2	3	screw m 8 p 1.25 x 20
18	2.1470.004.2	3	lock washer 8
19	0.065.1693.0/10	3	support
20	2.1530.072.0	3	oil seal 26.70x1.78
21	0.065.1660.0	2	roller

Thank you so much for reading.
Please click the “Buy Now!”
button below to download the
complete manual.



After you pay.

You can download the most
perfect and complete manual in
the world immediately.

Our support email:

ebooklibonline@outlook.com