

Section: ENGINE

CRANK CASE

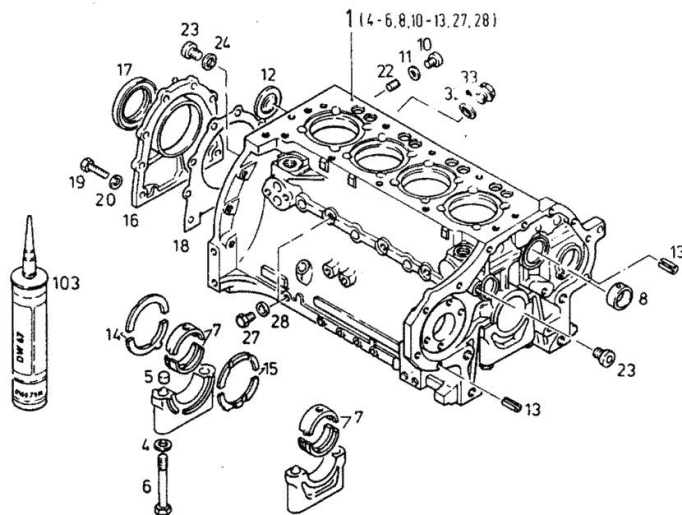
Fig.	P/n	QTY	Name
Notes: [Hopfen DX 4.17]			
1	04156252	1	crankcase ORDER FROM PICTURE NO. 4-6,8, 10-13,27,28,32,33.
4	01216107	10	washer 15x23x1,5 H 002308-15 X23X1,5
5	04160764	10	bushing
6	04156058	10	screw
7	03362379	5	bearing UNDERSIZE STEP SEE ITEM 950-955
8	02139737	1	bushing
10	01110422	5	screw DIN 000908-M12X1,5-ST
11	01118673	5	oil seal DIN 007603-A 12 X 15,5-CU
12	01216240	1	disc
13	01167266	2	bush H 002341-B11X16
14	02230181	1	shim OVERSIZE SEE ITEM 956-959
15	02230170	1	shim OVERSIZE SEE ITEM 960-963
16	02234870	1	cover
17	04230392	1	special oil seal
18	03362337	1	gasket
19	01112322	8	screw m 8 p.1.25 x 20 ISO 004017-M 8 X 20 - 8.8-A4C
20	01107101	8	washer 8.4 DIN 000125-A 8,4-140HV-A4C
22	01215235	5	plug
23	04159934	2	screw
24	04159935	1	oil seal
27	01118998	2	screw DIN 007604-CM10X1 -ST-A4C
28	01118659	2	oil seal DIN 007603-A 10 X 13,5-CU
32	01118760	1	gasket 26x31 DIN 007603-A 26 X 31 -CU
33	01118985	1	screw am26x1,5 d7604



Kurbelgehäuse
Crankcase
Carter
Cárter

0150 - 01-0506 3047

1



Section: ENGINE

CRANK CASE

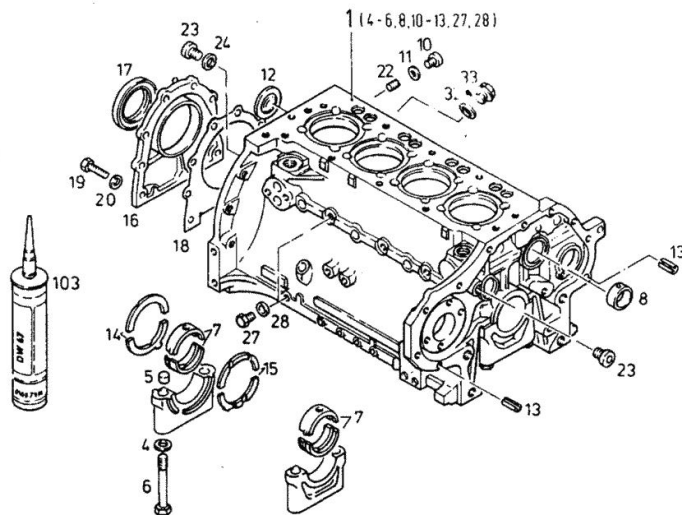
Fig.	P/n	QTY	Name
			DIN 007604-AM26X1,5 -ST-ZNPHR F
103	01016120	1	compound 1 kg
			H 000699-DEUTZ DW 47- 310 ML
950	03362380	5	bearing
			1.UNDERSIZE STEP 69.75 MMRD (2,7459 IN.)
951	03362381	5	bearing
			2.UNDERSIZE STEP 69.50 MMRD (2,7362 IN.)
952	03362382	5	bearing
			3.UNDERSIZE STEP 69.25 MMRD (2,7263 IN.)
953	03362383	5	bearing
			4.UNDERSIZE STEP 69.00 MMRD (2,7165 IN.)
954	03362384	5	bearing
			5.UNDERSIZE STEP 68.75 MMRD (2,7066IN.)
955	03362385	5	bearing
			6.UNDERSIZE STEP 68.50 MM RD (2,6968 IN.)
956	02230182	1	shim
			1.OVERSIZ STEP 3.25 MM (0,1279 IN.)
957	02230183	1	shim
			2.OVERSIZ STEP 3.50 MM (0,1378 IN.)
958	02230184	1	shim
			3.OVERSIZ STEP 3.75 MM (0,1476 IN.)
959	02230185	1	shim
			4.OVERSIZ STEP 4.00 MM (0,1575 IN.)
960	02230172	1	shim
			1.OVERSIZ STEP 3.25 MM (0,1279 IN.)
961	02230173	1	shim
			2.OVERSIZ STEP 3.50 MM (0,1378 IN.)
962	02230174	1	shim
			3.OVERSIZ STEP 3.75MM (0,1476 IN.)
963	02230175	1	shim



Kurbelgehäuse
Crankcase
Carter
Cárter

0150 - 01-0506 3047

1



Section: ENGINE
CRANK CASE

Fig.	P/n	QTY	Name
------	-----	-----	------

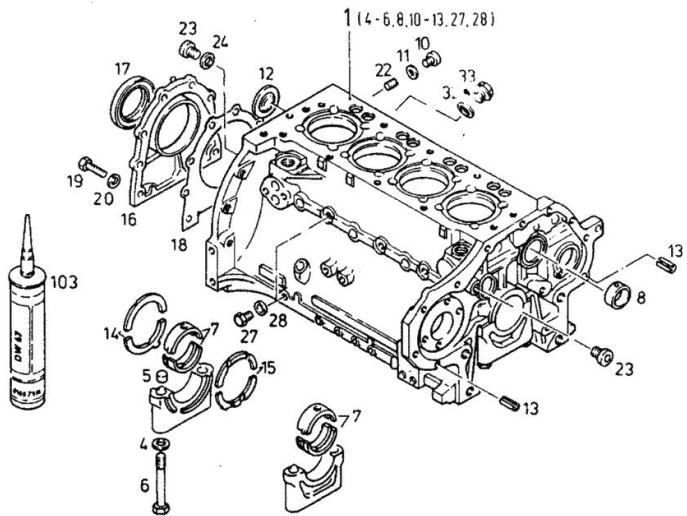
4.OVERSIZE STEP 4.00MM
(0,1575 IN.)



Kurbelgehäuse
Crankcase
Carter
Cárter

0150 - 01-0506 3047

1



Section: ENGINE

BLANKING PARTS

Fig.	P/n	QTY	Name
------	-----	-----	------

Notes:

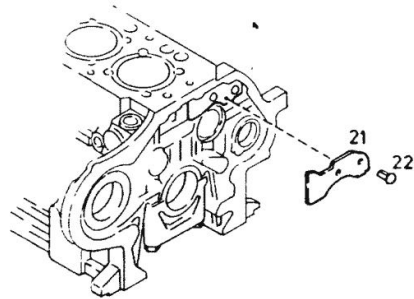
[Hopfen DX 4.17]

21	02231082	1	plate UP TO MOTOR NO. (A) FROM ENGINE NO. SEE ITEM (B)
22	01115333	2	self tapping screw ISO 008746- 6 X10-ST -A4C
950	04156862	1	plate UP TO MOTOR NO. (A) FROM ENGINE NO. SEE ITEM (B)



Verschlußteile
Locking parts
Pieces de fermeture
Partes de cierre

0150—01—504 2845



Section: ENGINE

ACCESSORIES

Fig.	P/n	QTY	Name
------	-----	-----	------

Notes:

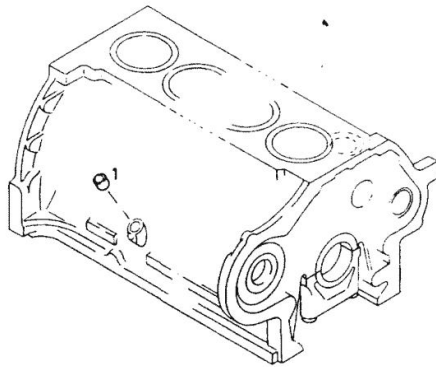
[Hopfen DX 4.17]

1	01167269	1	bush H 002341-B13X14
---	----------	---	-------------------------



Anbauteile
Attachments
Accessories
Partes de adosamiento

0150-01-504 2878



Section: ENGINE

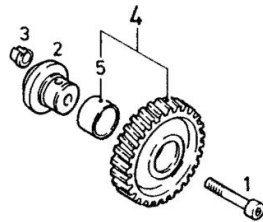
INTERMEDIATE GEAR BEARING

Fig.	P/n	QTY	Name
Notes:			
[Hopfen DX 4.17]			
1	01110688	1	screw DIN 000912- M10 X 60 -10.9-A4 C
2	04156284	1	pin
3	04156283	1	bush
4	04153996	1	gear wheel WITH ITEM 5,
5	03362538	1	bushing



Zwischenradlagerung
Idler gear bearing
Tourillon de pignon intermédiaire
Soporte para rueda intermedia

0150-01-505 12 17



Section: ENGINE

FRONT COVER

Fig.	P/n	QTY	Name
------	-----	-----	------

Notes:

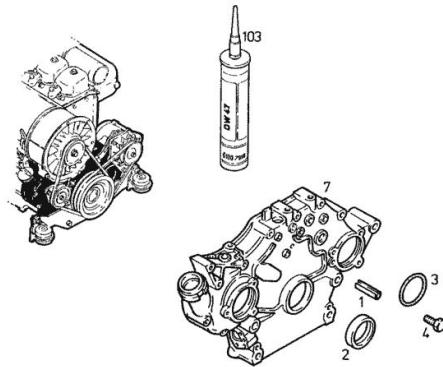
[Hopfen DX 4.17]

1	01115459	1	pin ISO 008752- 6 X 45
2	04154144	1	special oil seal 65X85X10,5
3	01166111	1	oil seal H 002927- 80 X 3 -MVQ-1-50
4	01102396	1	screw ISO 004017-M 8 X 8 - 8.8-A4C
7	02136027	1	cover
103	01016120	1	compound 1 kg H 000699-DEUTZ DW 47- 310 ML



Vorderer Deckel
Front cover
Couvercle avant
Tapa delantera

0150-01-0506 4023



Section: ENGINE

FASTENINGS

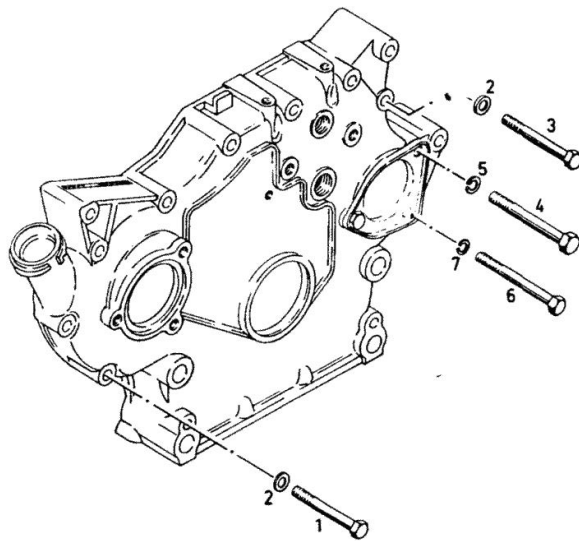
Fig.	P/n	QTY	Name
Notes:			
[Hopfen DX 4.17]			
1	01127046	1	screw m 8 x 60 ISO 004017-M 8 X 60 - 8.8-A4C
2	01107101	3	washer 8.4 DIN 000125-A 8,4-140HV-A4C
3	01111179	2	screw m 8 x 70, d931 ISO 004014- M 8 X 70 - 8.8-A4 C
4	01111336	1	screw m 10 x 75 DIN 000931- M10 X 75 - 8.8-A4 C
5	01102800	1	washer 10.2 DIN 000128-A 10 -FST -A4C
6	01122399	1	screw ISO 004014- M 8 X 85 - 8.8-A4 C
7	01102799	1	washer 8, d128 DIN 000128-A 8 -FST -A4C



Befestigungsteile
Fastening parts
Pièces de fixation
Partes de fijación



0150-01-500 6842



Section: ENGINE

BLANKING PARTS

Fig.	P/n	QTY	Name
------	-----	-----	------

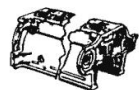
Notes:

[Hopfen DX 4.17]

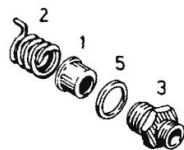
1	02135019	1	tube
2	02237638	1	spring
3	02234350	1	vent
5	01118750	1	oil seal DIN 007603-A 24 X 30 -AL



Verschlusssteile
Locking parts
Pièces de fermeture
Partes de cierre



0150-01-503 0825



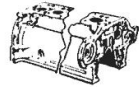
Section: ENGINE

SEALING COVER FOR INJECTION TIMING GEAR

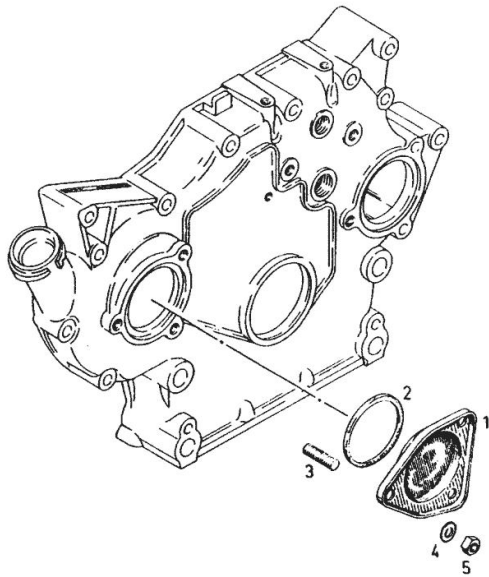
Fig.	P/n	QTY	Name
Notes:			
[Hopfen DX 4.17]			
1	04152404	1	cover
2	01166110	1	ring H 002927- 80 X 3 -NBR-1-60
3	01178540	3	screw H 002091- 835-M 8 X 16- 8.8-A 4C-MK-1,5D-BL
4	01216143	3	ring
5	01112824	3	nut m 8, d934 ISO 004032-M 8 - 8-A4C



Verschlußdeckel für Spritzversteller
Cover for advance/retard unit
Couvercle pour avance automatique
Tapa de cierre para graduador de avance de inyección



0150-01-500 3331



Section: ENGINE

TUNNEL COVER

Fig.	P/n	QTY	Name
------	-----	-----	------

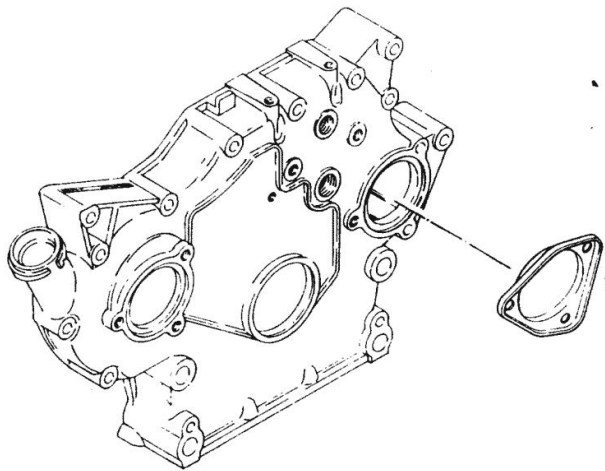
Notes:
[Hopfen DX 4.17]

1	04152404	1	cover
---	----------	---	-------



Deckel
Cover
Couvercle
Tapa

0150-01-505 0218



Thank you so much for reading.
Please click the “Buy Now!”
button below to download the
complete manual.



After you pay.

You can download the most
perfect and complete manual in
the world immediately.

Our support email:

ebooklibonline@outlook.com