

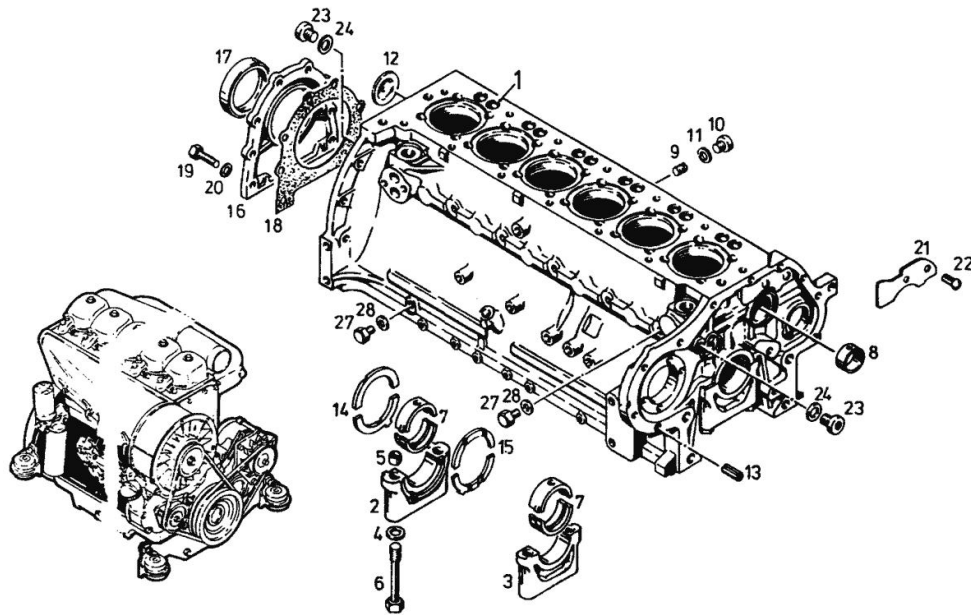
Section: ENGINE
CRANKCASE

Fig.	P/n	QTY	Name
Notes: [INTRAC 6.30]			
1	02239280	1	crankcase BEST. AUS BILD NR.2 BIS 6, 8 BIS 13,21 BIS 24,27,28
4	01216107	14	washer 15x23x1,5 H 002308-15 X23X1,5
5	03362279	14	bushing
6	01136990	14	screw DIN 000931-BM14 X110 - 10.9
7	03362379	7	bearing NORMAL 70.00 MM RD (2.7559 IN.) UNDERSIZE STEP ITEM 950-955
8	02139737	1	bushing
9	01215235	7	plug
10	01110422	6	screw DIN 000908-M12X1,5-ST
11	01118673	7	oil seal DIN 007603-A 12 X 15,5-CU
12	01216240	1	disc
13	01167266	2	bush H 002341-B11X16
14	02230181	1	shim NORMAL 3.00 MM (0.1181 IN.) OVERSIZE STEP ITEM. 956-959
15	02230170	1	shim NORMAL 3.00 MM (0.1181 IN.) OVERSIZE STEP ITEM. 960-963
16	02234870	1	cover
17	02234134	1	oil seal
18	03362337	1	gasket
19	01112322	8	screw m 8 p.1.25 x 20 ISO 004017-M 8 X 20 - 8.8-A4C
20	01107101	8	washer 8.4 DIN 000125-A 8,4-140HV-A4C
21	02231082	1	plate
22	01115333	2	self tapping screw ISO 008746- 6 X10-ST -A4C
23	04159934	2	screw
24	04159935	1	oil seal
27	01118998	5	screw DIN 007604-CM10X1 -ST-A4C
28	01118659	5	oil seal



Kurbelgehäuse
 Crankcase
 Carter
 Cárter

0150—01—503 76 25



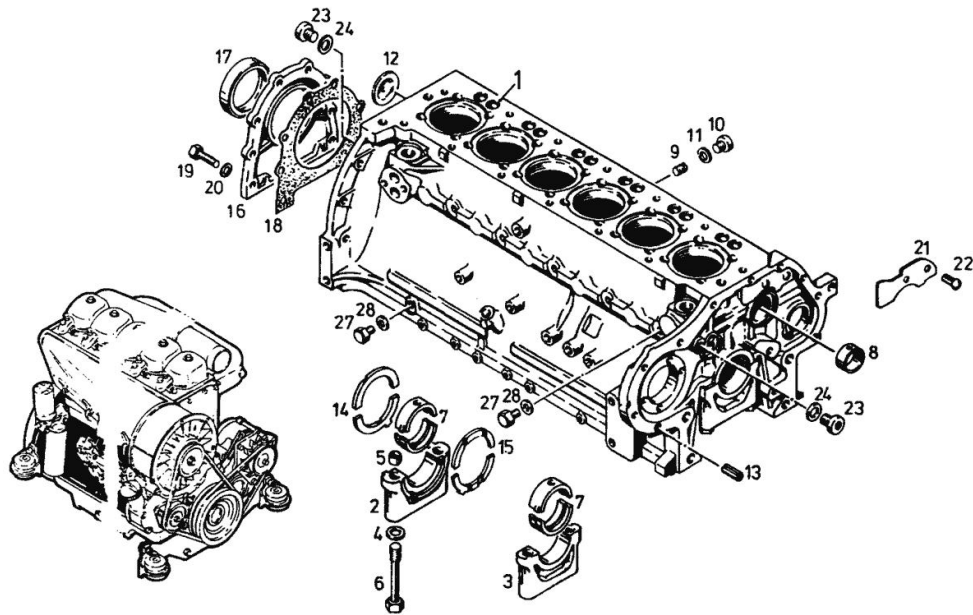
Section: ENGINE
CRANKCASE

Fig.	P/n	QTY	Name
950	03362380	7	DIN 007603-A 10 X 13,5-CU bearing 1. UNDERSIZE STEP 69.75 MM RD. (2.7461 IN.)
951	03362381	7	bearing 2. UNDERSIZE STEP 69.50 MM RD. (2.7362 IN.)
952	03362382	7	bearing 3. UNDERSIZE STEP 69.25 MM RD. (2.7263 IN.)
953	03362383	7	bearing 4. UNDERSIZE STEP 69.00 MM RD (2.7165 IN.)
954	03362384	7	bearing 5. UNDERSIZE STEP 68.75 MM RD. (2.7067 IN.)
955	03362385	7	bearing 6. UNDERSIZE STEP 68.50 MM RD (2.6969 IN.)
956	02230182	1	shim 1. OVERSIZE 3.25 MM (0.1279 IN.)
957	02230183	1	shim 2. OVERSIZE 3.50 MM (0.1378 IN.)
958	02230184	1	shim 3. OVERSIZE 3.75 MM (0.1476 IN.)
959	02230185	1	shim 4. OVERSIZE STEP 4.00 MM (0.1575 IN.)
960	02230172	1	shim 1. OVERSIZE 3.25 MM (0.1279 IN.)
961	02230173	1	shim 2. OVERSIZE 3.50 MM (0.1378 IN.)
962	02230174	1	shim 3. OVERSIZE 3.75 MM (0.1476 IN.)
963	02230175	1	shim 4. OVERSIZE STEP 4.00 MM (0.1575 IN.)
964	02233347	7	bearing



Kurbelgehäuse
Crankcase
Carter
Carter

0150-01-503 76 25



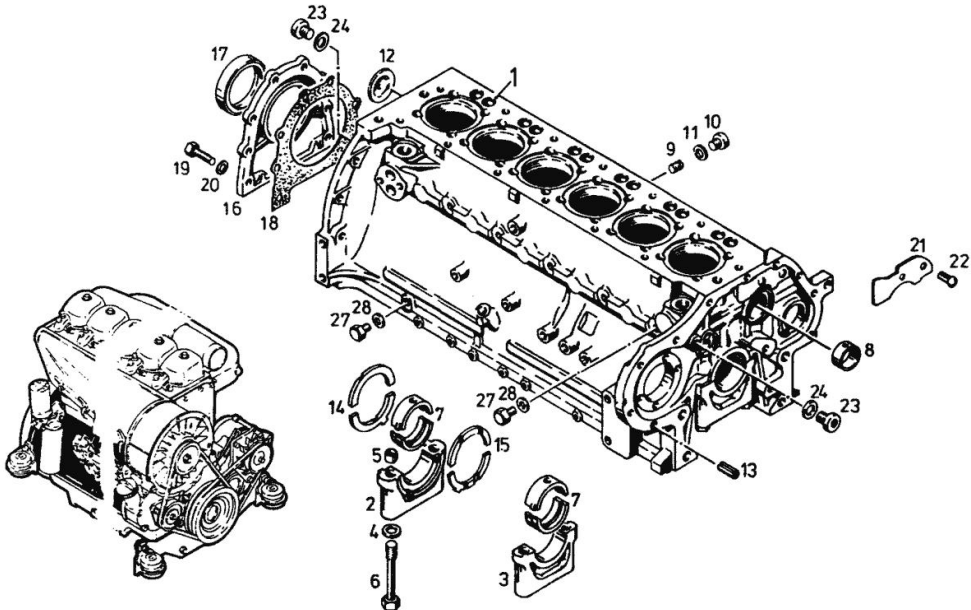
Section: ENGINE
CRANKCASE

Fig.	P/n	QTY	Name
970	01016120	1	F.INNEN U.AUSSEN F.INNEN 69,75 MM RD U. F.AUSSEN 75,50 MM RD compound 1 kg H 000699-DEUTZ DW 47- 310 ML



Kurbelgehäuse
Crankcase
Carter
Carter

0150—01—503 76 25



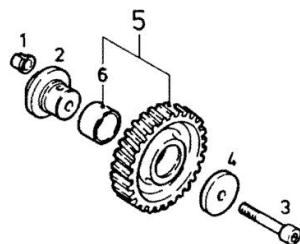
INTERMEDIATE GEAR BEARING

Fig.	P/n	QTY	Name
Notes:			
[INTRAC 6.30]			
1	02101007	1	bushing
2	04161357	1	pin
3	02234177	1	screw
4	04154593	1	washer
5	04154591	1	gear wheel
6	02234389	1	bushing



Zwischenradlager
 Idler gear bearing
 Tourillon de pignon intermédiaire
 Soporte para rueda intermedia

0150—01—504 2810



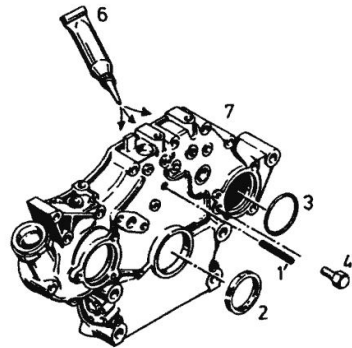
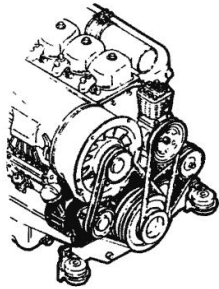
Section: ENGINE
FRONT COVER

Fig.	P/n	QTY	Name
Notes: [INTRAC 6.30]			
1	01115459	1	pin ISO 008752- 6 X 45
2	02234133	1	oil seal
3	01180084	1	oil seal H 002927- 82 X 3,15K -MVQ-1-5 0
4	01102396	1	screw ISO 004017-M 8 X 8 - 8.8-A4C
6	01008383	3	gasket H 000699-DEUTZ DW 47- 75 ML
7	04158431	1	cover



Vorderer Deckel
 Front cover
 Couvercle avant
 Tapa delantera

0150—01—503 1845



Section: ENGINE

FASTENINGS

Fig.	P/n	QTY	Name
------	-----	-----	------

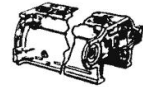
Notes:

[INTRAC 6.30]

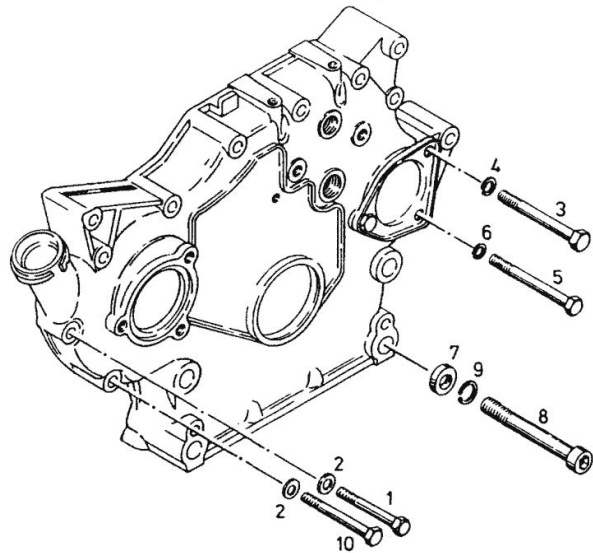
1	01127046	1	screw m 8 x 60 ISO 004017-M 8 X 60 - 8.8-A4C
2	01107101	3	washer 8.4 DIN 000125-A 8,4-140HV-A4C
3	01111336	1	screw m 10 x 75 DIN 000931- M10 X 75 - 8.8-A4 C
4	01102800	1	washer 10.2 DIN 000128-A 10 -FST -A4C
5	01122399	1	screw ISO 004014- M 8 X 85 - 8.8-A4 C
6	01102799	1	washer 8, d128 DIN 000128-A 8 -FST -A4C
7	01107556	16	washer DIN 000433-15 -140HV-A4C
8	01102281	4	screw m14x100 d912 DIN 000912- M14 X100 - 8.8-A4 C
9	01127679	4	spring washer DIN 007980-14-FST-A4C
10	01111179	1	screw m 8 x 70, d931 ISO 004014- M 8 X 70 - 8.8-A4 C



Befestigungsteile zum vorderen Deckel
Fastening parts for front cover
Pièces de fixation pour couvercle avant
Partes de fijación para tapa delantera



0150—01—500 3339



Section: ENGINE

BLANKING PARTS

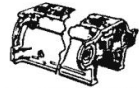
Fig.	P/n	QTY	Name
------	-----	-----	------

Notes:
[INTRAC 6.30]

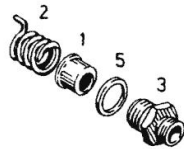
1	02135019	1	tube
2	02237638	1	spring
3	02234350	1	vent
5	01118750	1	oil seal DIN 007603-A 24 X 30 -AL



Verschluss-teile
Locking parts
Pièces de fermeture
Partes de cierre



0150-01-503 0825



Section: ENGINE

COVER

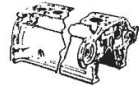
Fig.	P/n	QTY	Name
------	-----	-----	------

Notes:
[INTRAC 6.30]

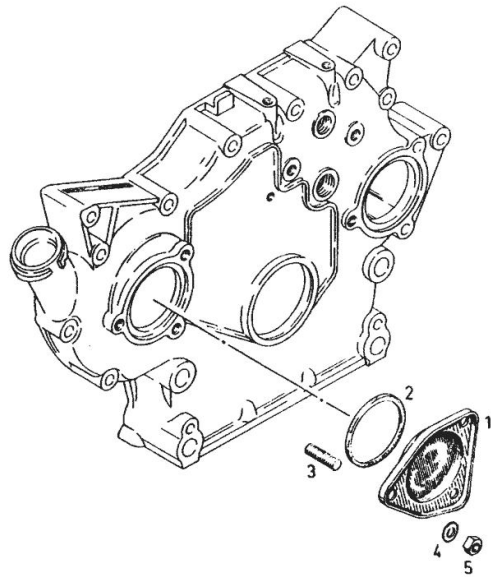
1	04152404	1	cover
2	01166110	1	ring H 002927- 80 X 3 -NBR-1-60
3	01178540	3	screw H 002091- 835-M 8 X 16- 8.8-A 4C-MK-1,5D-BL
4	01216143	3	ring
5	01112824	3	nut m 8, d934 ISO 004032-M 8 - 8-A4C



Verschlußdeckel für Spritzversteller
Cover for advance/retard unit
Couvercle pour avance automatique
Tapa de cierre para graduador de avance de inyección



0150-01-500 3331



Section: ENGINE

NOZZLE

Fig.	P/n	QTY	Name
------	-----	-----	------

Notes:
[INTRAC 6.30]

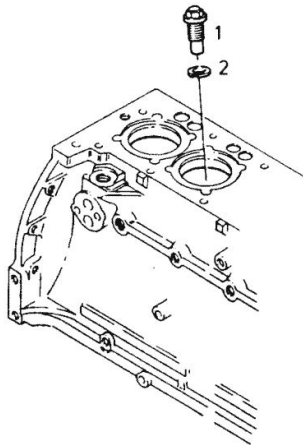
1	02239584	3	nozzle
2	01119611	3	ring DIN 007980- 8-FST-A4C



Sptzdüse
Spray nozzle
Pulversateur
Tobera de dispersión

Stück / Zyl. - Einheit
Pieces / cyl. unit
Qté / cylindre
Cantid. / unid. cilind.

0150 - 01 - 5037660



Section: ENGINE
TUNNEL COVER

Fig.	P/n	QTY	Name
------	-----	-----	------

Notes:
[INTRAC 6.30]

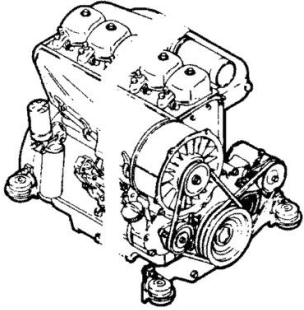
1	02235014	1	cover
---	----------	---	-------



Anbauteile
Attachments
Accessoires
Partes de adosamiento



0150-01-503 2468



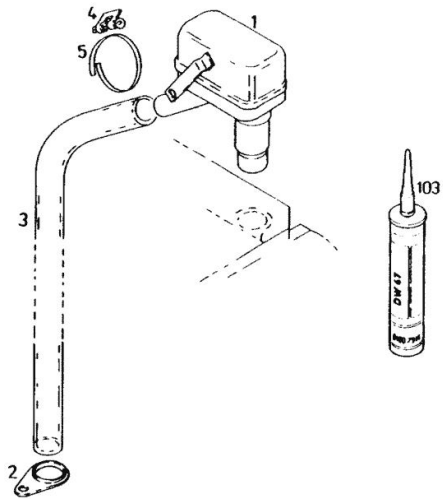
Section: ENGINE
BREATHER

Fig.	P/n	QTY	Name
Notes: [INTRAC 6.30]			
1	04159356	1	box
2	02138266	1	fan
3	01178341	1	flexible hose H 007760-A19 X27 X 750
4	01179854	1	clamp H 000735-SK 29-1
101	01008383	1	gasket H 000699-DEUTZ DW 47- 75 ML



Entlüftung
Breather
Event
Ventilación

0150-01-505 1518



Thank you so much for reading.
Please click the “Buy Now!”
button below to download the
complete manual.



After you pay.

You can download the most
perfect and complete manual in
the world immediately.

Our support email:

ebooklibonline@outlook.com