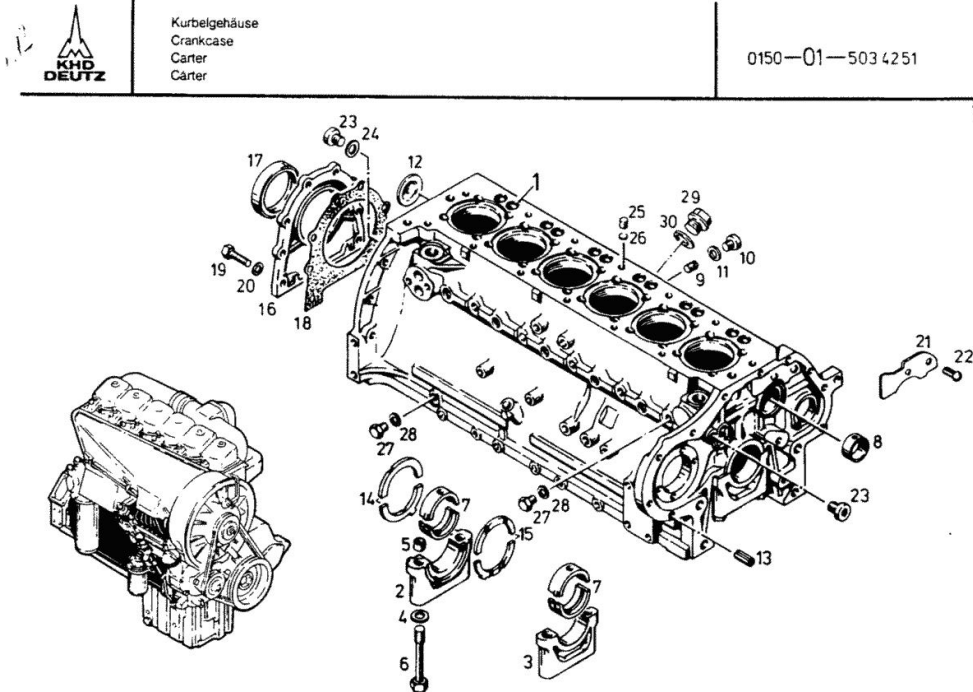


Section: ENGINE

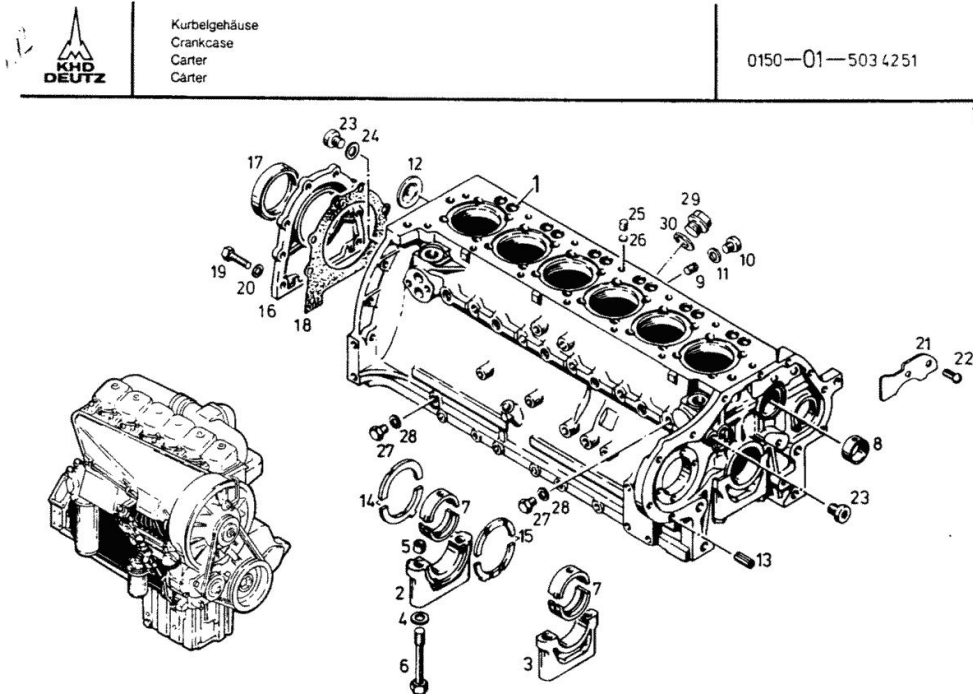
CRANKCASE

Fig.	P/n	QTY	Name
Notes: [INTRAC 6.60]			
1	02236669	1	crankcase WITH LOCKING PARTS BEST. AUS BILD NR. 2 BIS 6, 8 TO 13, 21 TO 30
4	01216107	14	washer 15x23x1,5 H 002308-15 X23X1,5
5	03362279	14	bushing
6	02233313	14	screw
7	02235185	7	bearing NORMAL 75.00 MM RD (2.9528 IN.) UNDERSIZE STEP SEE ITEM 950-955 LAGER F.INNEN U.AUSSEN POS964
8	02139737	1	bushing
9	01215235	7	plug
10	01110422	7	screw DIN 000908-M12X1,5-ST
11	01118673	7	oil seal DIN 007603-A 12 X 15,5-CU
12	01216240	1	disc
13	01167266	2	bush H 002341-B11X16
14	02230196	1	shim NORMAL 3.00 MM (0.1181 IN.) OVERSIZE STEP ITEM. 956-959
15	02230201	1	shim NORMAL 3.00 MM (0.1181 IN.) OVERSIZE STEP ITEM. 960-963
16	02234870	1	cover
17	02234134	1	oil seal
18	03362337	1	gasket
19	01112322	8	screw m 8 p.1.25 x 20 ISO 004017-M 8 X 20 - 8.8-A4C
20	01107101	8	washer 8.4 DIN 000125-A 8,4-140HV-A4C
21	02231082	1	plate
22	01115333	2	self tapping screw ISO 008746- 6 X10-ST -A4C
23	04159934	2	screw
24	04159935	1	oil seal
25	01170580	5	plug H 002855-A 8X 8



Section: ENGINE
CRANKCASE

Fig.	P/n	QTY	Name
26	01167010	5	washer H 000984- 7,5X 1 -ST
27	01118998	5	screw DIN 007604-CM10X1 -ST-A4C
28	01118659	5	oil seal DIN 007603-A 10 X 13,5-CU
29	01118986	1	plug am26x1,5 d7604 DIN 007604-AM26X1,5 -ST-ZNPHR F
30	01118760	1	gasket 26x31 DIN 007603-A 26 X 31 -CU
950	02235189	7	bearing 1. UNDERSIZE STEP 74.75 MM RD. (2.9429 IN.)
951	02235192	7	bearing 2.UNDERSIZE STEP74.50 MM RD (2.9331 IN.)
952	02235194	7	bearing 3.UNDERSIZE STEP74.25 MM RD (2.9232 IN.)
953	02235196	7	bearing 4.UNDERSIZE STEP74.00 MM RD (2.9134 IN.)
954	02235198	7	bearing 5.UNDERSIZE STEP73.75 MM RD (2.9035 IN.E
955	02235200	7	bearing 6.UNDERSIZE STEP 73.50 MM RD (2.8937 IN.)
956	02230197	1	shim 3.25 MM (0.1279 IN.)
957	02230198	1	shim 3,50 MM (0.1378 IN.)
958	02230199	1	shim 3.STEP OVERSIZE 3,75MM (0,1476 IN.)
959	02230200	1	shim 4.STEP OVERSIZE 4,00 MM(0.1575 IN.)
960	02230202	1	shim 3,25 MM (0.1279 IN.)
961	02230203	1	shim 3,50 MM (0,1378 IN.)
962	02230204	1	shim



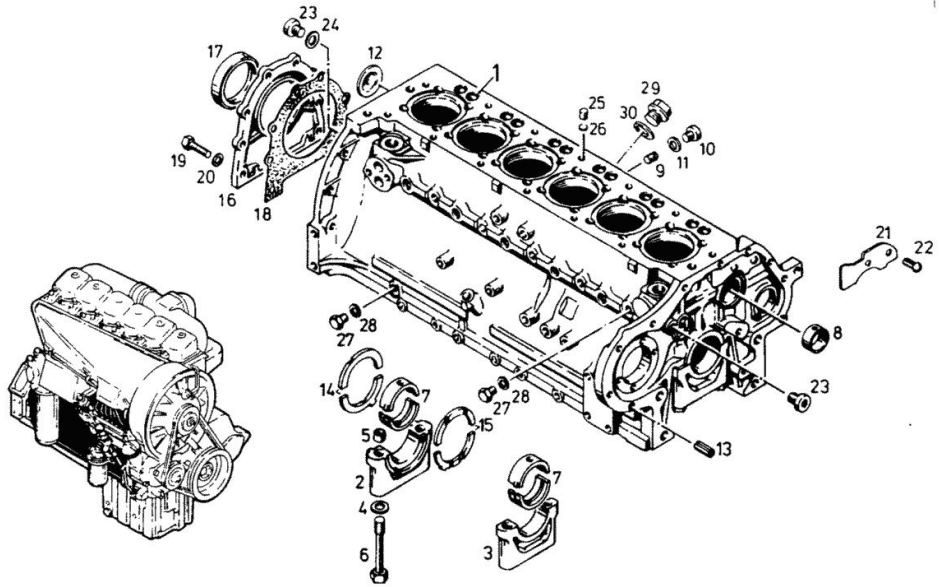
Section: ENGINE
CRANKCASE

Fig.	P/n	QTY	Name
963	02230205	1	3.STEP OVERSIZE 3,75 MM (0.1476 IN.) shim
964	02235240	7	4.STEP OVERSIZE 4,00 MM (0.1575 IN.) bearing FOR INSIDE (74.75 MM RD) AND FOR OUTSIDE (79.50 MM RD)
970	01016120	1	compound 1 kg H 000699-DEUTZ DW 47- 310 ML



Kurbelgehäuse
Crankcase
Carter
Carter

0150-01-503 4251



INTERMEDIATE GEAR BEARING

Fig.	P/n	QTY	Name
------	-----	-----	------

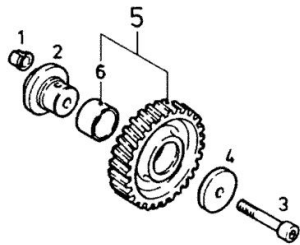
Notes:
[INTRAC 6.60]

1	02101007	1	bushing
2	04161357	1	pin
3	02234177	1	screw
4	04154593	1	washer
5	04154591	1	gear wheel
6	02234389	1	bushing



Zwischenradlagerung
Idler gear bearing
Tourillon de pignon intermédiaire
Soporte para rueda intermedia

0150—01—504 2810



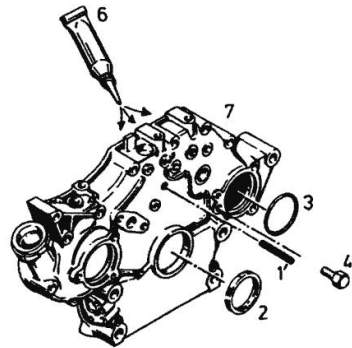
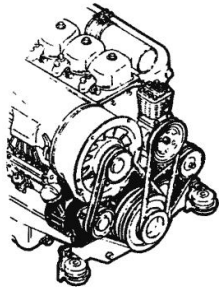
Section: ENGINE
FRONT COVER

Fig.	P/n	QTY	Name
Notes: [INTRAC 6.60]			
1	01115459	1	pin ISO 008752- 6 X 45
2	02234133	1	oil seal
3	01180084	1	oil seal H 002927- 82 X 3,15K -MVQ-1-5 0
4	01102396	1	screw ISO 004017-M 8 X 8 - 8.8-A4C
6	01008383	3	gasket H 000699-DEUTZ DW 47- 75 ML
7	04158431	1	cover



Vorderer Deckel
 Front cover
 Couvercle avant
 Tapa delantera

0150—01—503 1845



Section: ENGINE

FASTENINGS

Fig.	P/n	QTY	Name
------	-----	-----	------

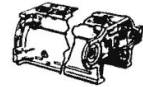
Notes:

[INTRAC 6.60]

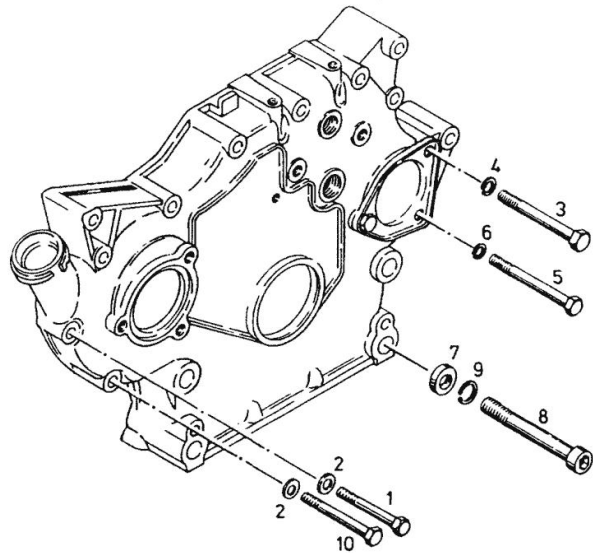
1	01127046	1	screw m 8 x 60 ISO 004017-M 8 X 60 - 8.8-A4C
2	01107101	3	washer 8.4 DIN 000125-A 8,4-140HV-A4C
3	01111336	1	screw m 10 x 75 DIN 000931- M10 X 75 - 8.8-A4 C
4	01102800	1	washer 10.2 DIN 000128-A 10 -FST -A4C
5	01122399	1	screw ISO 004014- M 8 X 85 - 8.8-A4 C
6	01102799	1	washer 8, d128 DIN 000128-A 8 -FST -A4C
7	01107556	16	washer DIN 000433-15 -140HV-A4C
8	01102281	4	screw m14x100 d912 DIN 000912- M14 X100 - 8.8-A4 C
9	01127679	4	spring washer DIN 007980-14-FST-A4C
10	01111179	1	screw m 8 x 70, d931 ISO 004014- M 8 X 70 - 8.8-A4 C



Befestigungsteile zum vorderen Deckel
Fastening parts for front cover
Pièces de fixation pour couvercle avant
Partes de fijación para tapa delantera



0150—01—500 3339



Section: ENGINE

FASTENINGS

Fig.	P/n	QTY	Name
------	-----	-----	------

Notes:
[INTRAC 6.60]

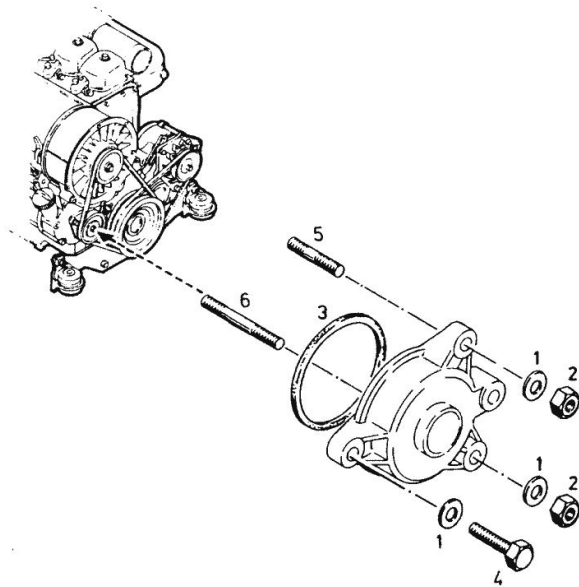
1	01216108	3	washer
2	01112824	2	nut m 8, d934 ISO 004032-M 8 - 8-A4C
3	01179670	1	oil seal H 002927- 78 X 3 -MVQ-1-50
4	01174194	1	screw H 002091- 933-M 8 X 30- 8.8-A 4C-MK-2D-BL
5	01174191	1	screw m 8 x 25 H 002091- 835-M 8 X 25- 8.8-A 4C-MK-2D-BL
6	01174192	1	screw H 002091- 835-M 8 X 40- 8.8-A 4C-MK-2D-BL



Befestigungsteile
Fastening parts
Pièces de fixation
Partes de fijación



0150-01-503 4247



Section: ENGINE

BLANKING PARTS

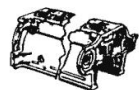
Fig.	P/n	QTY	Name
------	-----	-----	------

Notes:
[INTRAC 6.60]

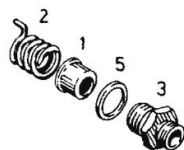
1	02135019	1	tube
2	02237638	1	spring
3	02234350	1	vent
5	01118750	1	oil seal DIN 007603-A 24 X 30 -AL



Verschluss-teile
Locking parts
Pièces de fermeture
Partes de cierre



0150-01-503 0825



Section: ENGINE

TENSION ROLLER

Fig.	P/n	QTY	Name
------	-----	-----	------

Notes:

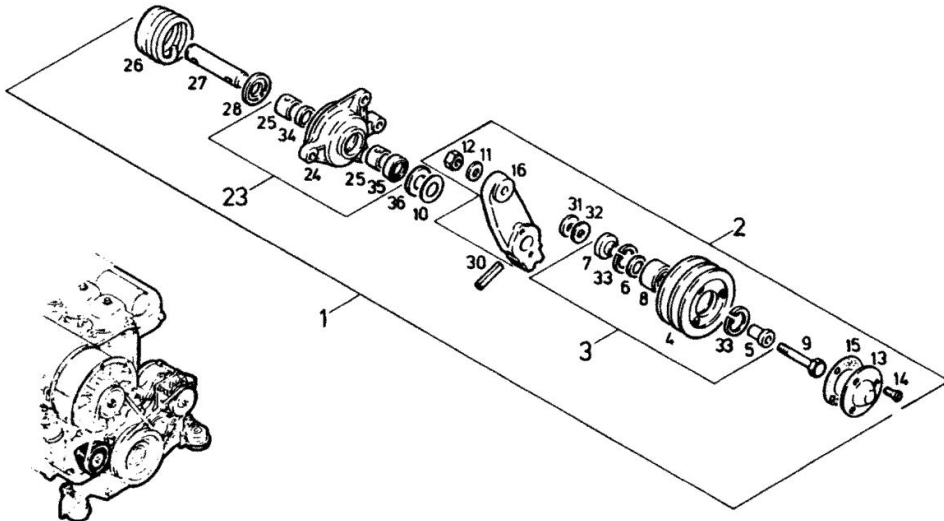
[INTRAC 6.60]

1	04152514	1	tensioner
2	04152524	1	pulley
3	02237959	1	pulley
4	02237846	1	pulley
5	02237849	1	bush
6	02237850	1	washer
7	02237848	1	ring
8	01171646	1	ball bearing H 004450- 2RK 15X 32 X 15 -2R S
9	01100104	1	screw m 10 x 60 DIN 000933-M10 X 60 - 8.8-A4C
10	04152509	1	shim
11	01107105	1	washer 10.5 DIN 000125-A10,5-140HV-A4C
12	01102659	1	nut m 10, d934 DIN 000934-M10 - 8-A4C
13	02237847	1	cover
14	01136951	3	screw DIN 000965- M 6 X 16 - 4.8 -H -A4C
15	02136434	1	gasket
16	04152532	1	lever
23	04153128	1	cover
24	04153130	1	cover
25	02238022	2	bushing
26	02238021	1	spring
27	02238081	1	shaft
28	02238083	1	washer
30	01115473	1	pin 8 x 40, d1481 ISO 008752- 8 X 40
31	01216123	3	washer
32	01216095	2	washer
33	01107818	2	ring DIN 000472- 32X1,2
34	02238084	1	bushing
35	04158766	1	oil seal
36	04152517	1	shim



Deckel mit Spannrolle
Cover with idler pulley
Couvercle avec galet tendeur
Tapa con polea tensora

0150—01—504 2276



Section: ENGINE

NOZZLE

Fig.	P/n	QTY	Name
------	-----	-----	------

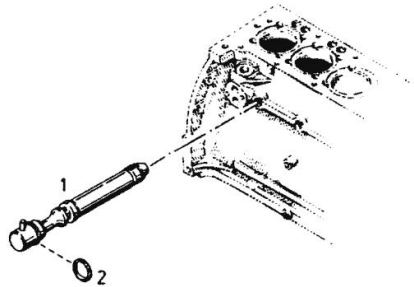
Notes:
[INTRAC 6.60]

1	02239591	1	nozzle
2	01173838	1	oil seal H 002927- 9 X 1,5 -FPM-1-70
950	01001202	1	gasket H 000699-DEUTZ DW 49- 1 KG



Spritzdüse	Stück / Zyl. - Einheit
Spray nozzle	Pieces / cyl. unit
Pulvrisateur	Qté / cylindre
Tobera de dispersión	Cantid. / unid. cilind.

0150—01—503 7653



Section: ENGINE
TUNNEL COVER

Fig.	P/n	QTY	Name
------	-----	-----	------

Notes:
[INTRAC 6.60]

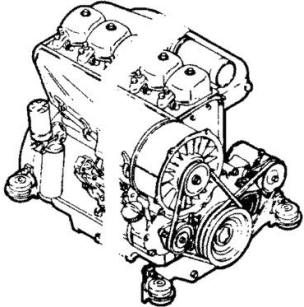
1	02235014	1	cover
---	----------	---	-------



Anbauteile
Attachments
Accessoires
Partes de adosamiento



0150-01-503 2468



Thank you so much for reading.
Please click the “Buy Now!”
button below to download the
complete manual.



After you pay.

You can download the most
perfect and complete manual in
the world immediately.

Our support email:

ebooklibonline@outlook.com