

REAR GEARBOX CASE - 2095 009 054

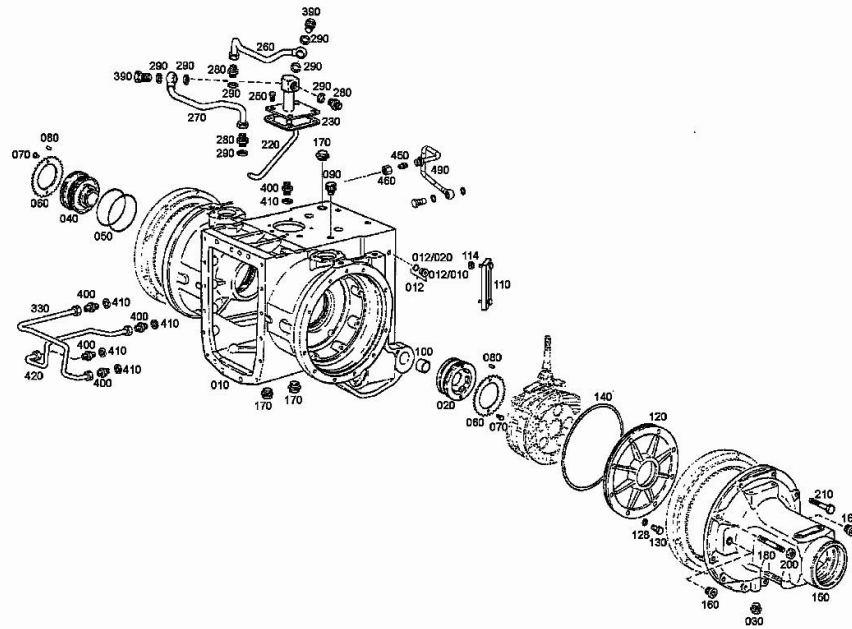
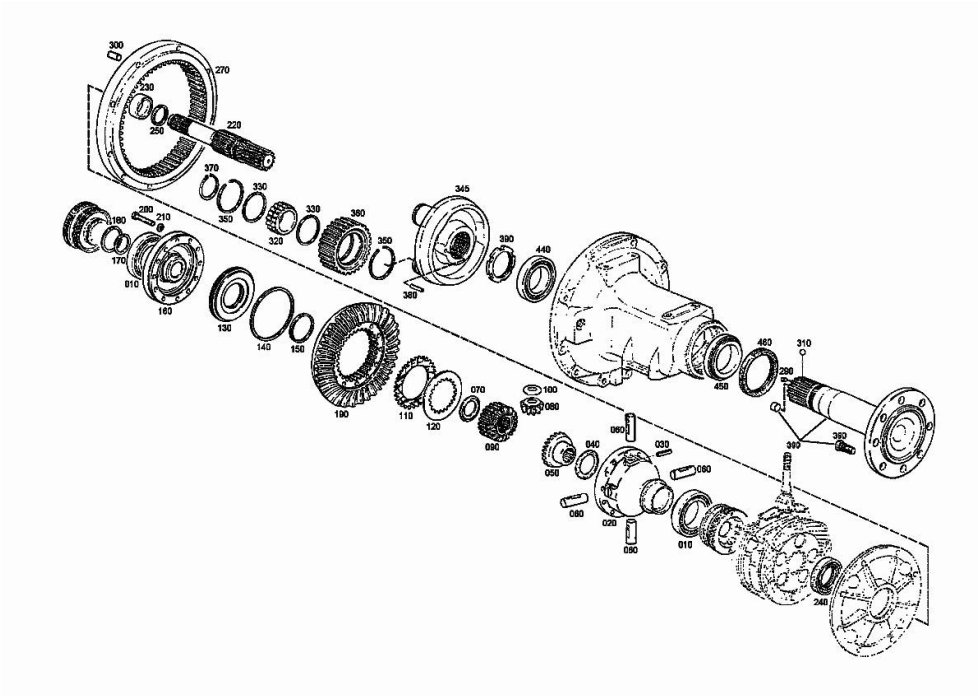


Fig.	P/n	QTY	Name
10	0.900.0288.2	1	gear box
12	0.000.0000.1	2	cannot be supplied
12.10	0.900.0291.4	2	plug m 14 p.1.5
12.20	0.010.2627.1	2	oil seal 11x2
20	04428944	1	register
30	0.010.3849.0	2	plug
40	04428945	1	register
50	0.900.0278.7	2	ring
60	04417449	2	plate
70	04435695	4	screw m 8 x 16
80	04435703	2	pin 5 x 20
90	04417453	1	plug
100	04417451	2	bushing
110	04419731	1	level indicator
114	04423732	2	rubber plug
120	04428583	2	plate
128	0.900.0277.9	4	washer
130	0.900.0279.7	16	screw m 12 x 40
140	04428220	2	oil seal 305x4
150	0.900.0957.5	2	support
160	0.900.0001.8	4	plug
170	0.010.3849.1	3	plug
180	04423326	4	screw
200	0.900.0281.4	4	nut m 12
210	04423325	16	screw
220	0.900.0287.4	1	tube
230	0.010.2897.1	1	gasket
250	0.010.2874.0	4	screw m 8 x 22
260	0.900.0287.5	1	tube
270	0.900.0287.6	1	tube
280	0.900.0282.3	3	pipe union
290	0.900.0290.5	7	circlip
290	0.900.0985.0	7	oil seal 18 x 24
330	04428942	1	tube
390	0.900.0282.0	2	screw
400	04417466	5	pipe fitting
410	04423731	5	oil seal 14 x 18
420	04417478	1	tube
450	0.010.3101.1	1	plug
460	04417788	1	nut
490	0.900.0490.8	1	tube

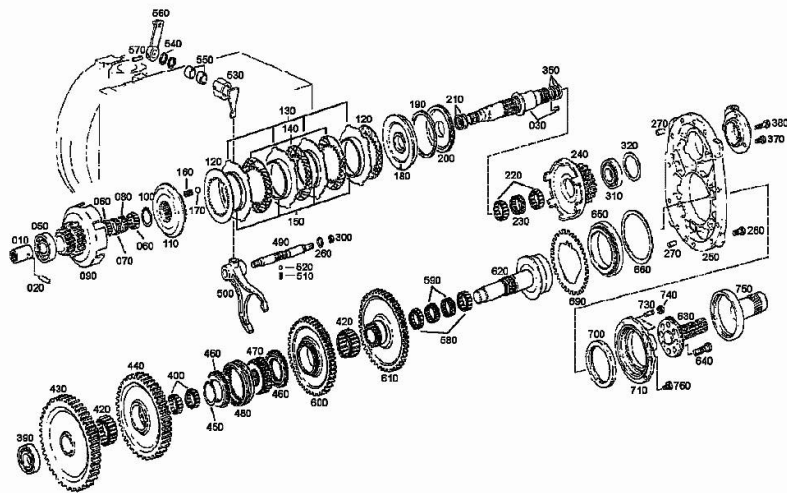
REAR DIFFERENTIAL AND HALF-SHAFTS - 2095 009 054

Fig.	P/n	QTY	Name
10	0.010.3580.1	2	roller bearing
20	0.010.3457.1	1	differential carrier
30	0.010.3349.0	4	roll pin 8 x 40
50	04417296	1	gear
60	0.010.3457.2	4	axle
70	0.900.0498.2	1	slewing ring
80	0.900.0288.9	4	planet gear
90	04417301	1	bearing
100	0.900.0288.8	4	slewing ring
110	0.010.3702.2	8	thin plate
120	04417303	7	thin plate
130	0.900.0025.0	1	piston
140	0.900.0124.1	1	oil seal
150	0.900.0268.5	1	oil seal 69 x 3
160	04417310	1	box
170	0.900.0800.7	1	ring 55 x 2.5
180	0.900.0800.8	1	ring 70 x 3.0
190	0.900.0956.8	1	bevel ring gear
200	0.010.3729.2	12	screw m 12 x 80
210	0.900.0277.9	12	washer
220	0.010.3460.0	2	pinion
230	04417315	2	bushing
240	04417316	2	oil seal
250	0.900.0278.9	2	ring 54 x 2.5
270	04431673	2	crown wheel
290	0.010.3588.2	2	grub screw m 10x16
300	0.900.0278.2	2	pin 12 x 24
310	04309268	2	ball
320	0.900.0282.8	6	roller bearing
330	0.900.0282.6	12	slewing ring 72x80.8x1
345	0.900.0956.9	2	spider
350	0.900.0278.1	12	circlip
360	04417608	6	planet gear
380	0.900.0278.3	2	roll pin 8x90
390	0.900.0489.3	2	shaft
390	0.900.1586.3	2	ring nut
390	04439237	8	wheel stud
440	0.900.0283.0	2	roller bearing
450	0.900.0953.7	2	roller bearing
460	0.010.3643.0	2	ring



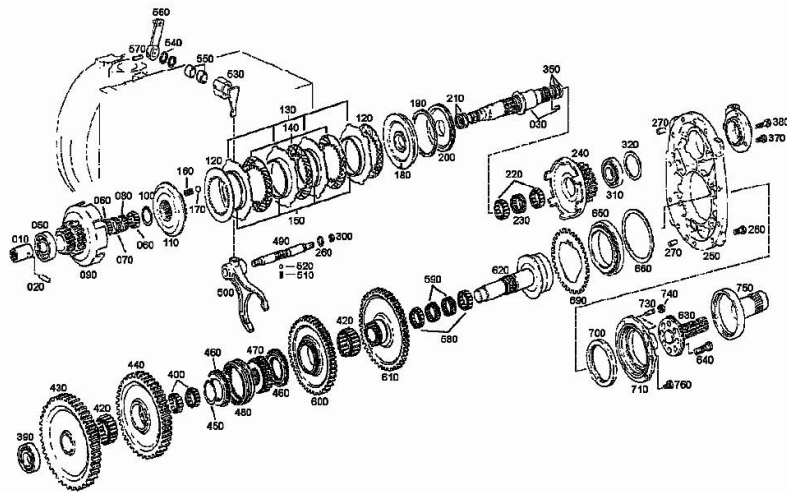
Section: D0 - TRANSMISSION
P.T.O. SHAFT - 2095 009 054

Fig.	P/n	QTY	Name
10	04421009	1	sleeve
20	0.900.0290.1	1	roll pin
30	0.900.0058.5	1	shaft
50	04428566	1	bearing
60	04417336	2	roller cage
70	04417337	1	roller cage
80	04417338	3	roller cage
90	0.900.0287.7	1	gear
100	0.010.3724.2	1	circlip 40 x 1.75
110	04417342	1	plate carrier
120	04417343	2	ring
130	04417344	4	ring
140	0.900.0288.7	3	disc
150	04423819	4	spring
160	04417347	8	spring
170	04415830	8	ball 12 mm
180	04417348	1	cylinder
190	0.900.0278.6	1	ring
200	0.900.0125.1	1	piston
210	0.900.0879.0	2	ring
220	04417383	2	roller cage
230	04417353	1	roller cage
240	0.900.0287.8	1	gear
250	04417355	1	cover
260	0.900.0278.8	1	oil seal
270	04328555	2	cylindrical plug 10 m 6x20
280	0.900.0279.9	11	screw m 10 x 30
300	0.010.3358.0	1	nut m 10
310	0.900.0279.2	1	roller bearing
320	0.000.0000.1	1	cannot be supplied
320	04417360	1	shim s = 0.10
320	04417361	1	shim s = 0.15
320	04417362	1	shim s = 0.40
350	04423359	3	ring
370	0.900.0291.0	4	screw
380	0.900.0280.0	1	screw m 8 x 45
390	04428566	1	bearing
400	04417336	2	roller cage
420	04417368	2	roller cage
430	0.900.0288.3	1	gear
440	04417370	1	gear wheel
450	0.010.3347.1	1	circlip 38x2.5
460	04423336	2	driver
470	04423335	1	support



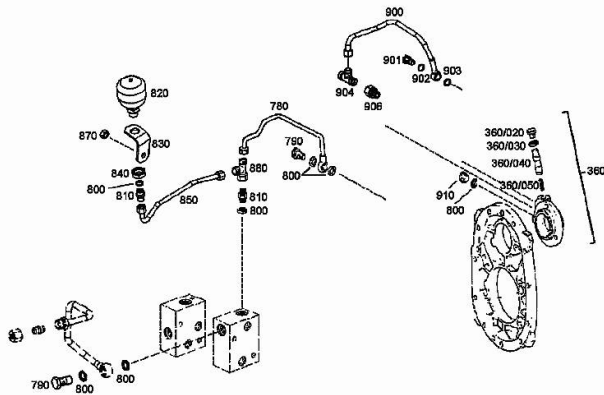
Section: D0 - TRANSMISSION
P.T.O. SHAFT - 2095 009 054

Fig.	P/n	QTY	Name
480	04423337	1	sleeve
490	04424371	1	lever
500	0.010.3701.2	1	fork
510	04417378	1	spring
520	04415909	1	ball
530	04417379	1	small lever
540	0.900.0278.5	2	ring 20x3.5
550	04417381	2	bushing
560	0.900.0294.2	1	lever
570	0.900.0290.2	1	roll pin
580	04417383	2	roller cage
590	04417384	2	roller cage
600	0.900.0288.5	1	gear
610	0.900.0288.4	1	gear
620	0.900.0957.0	1	shaft
630	04417388	1	shaft
640	0.010.3293.0	8	screw m 12 x 50
650	0.900.0282.9	1	roller bearing
660	0.000.0000.1	1	cannot be supplied
660	04417391	1	shim s = 0.10
660	04417392	1	shim s = 0.15
660	04417393	1	shim s = 0.40
690	04439236	1	gear
700	04417395	1	oil seal 94x118x12
710	04417438	1	cover
730	0.900.0281.3	4	stud bolt m 8 x 35
740	0.900.0281.5	4	nut m 8
750	04417440	1	guard
760	04434498	2	screw m 8 x 25
840	0.900.0953.6	1	nut



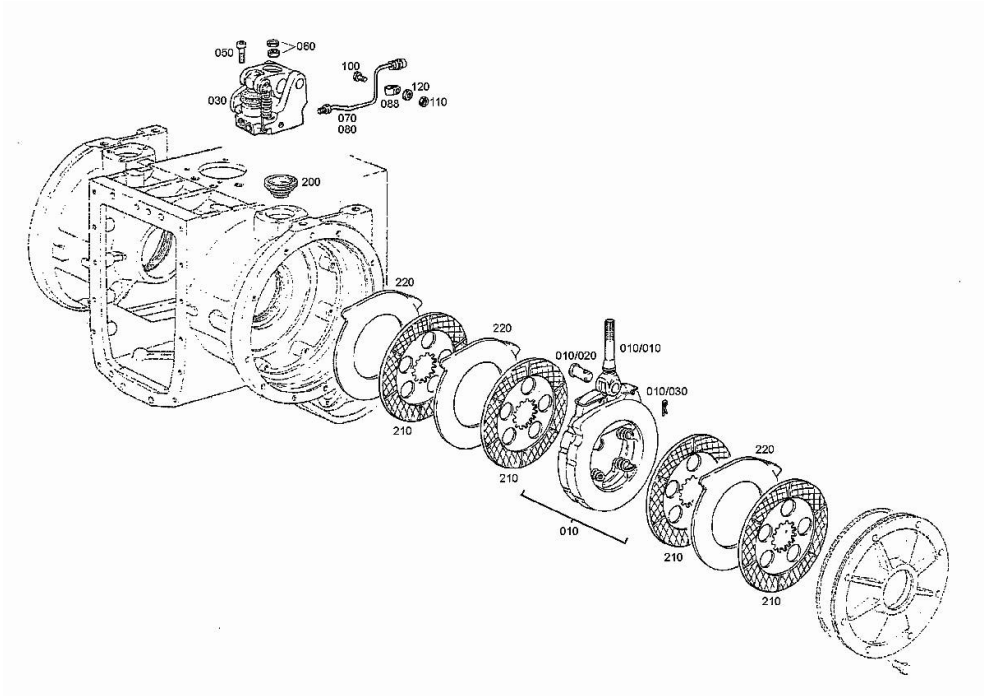
Section: D0 - TRANSMISSION
P.T.O. SHAFT - 2095 009 054

Fig.	P/n	QTY	Name
360	0.010.3229.0	1	cover
360.20	04417591	1	plug
360.30	04436331	1	oil seal 16 x 20
360.40	04424374	1	piston
360.50	04417367	1	spring
780	0.010.3455.2	1	pipng
790	0.900.0282.1	2	pipe union
800	04423731	7	oil seal 14 x 18
810	04417466	2	pipe fitting
820	04439224	1	accumulator
830	0.010.3456.0	1	angular
840	0.900.0953.6	1	nut
850	0.900.0490.9	1	tube
870	0.900.0281.4	1	nut m 12
880	04417783	1	pipe fitting
900	0.900.0283.5	1	tube
901	04427560	1	pipe union
902	0.900.0290.6	1	circlip
903	04436331	1	oil seal 16 x 20
904	04431782	1	threaded joint
906	0.900.0282.4	1	pipe union
910	0.900.0280.7	1	stop



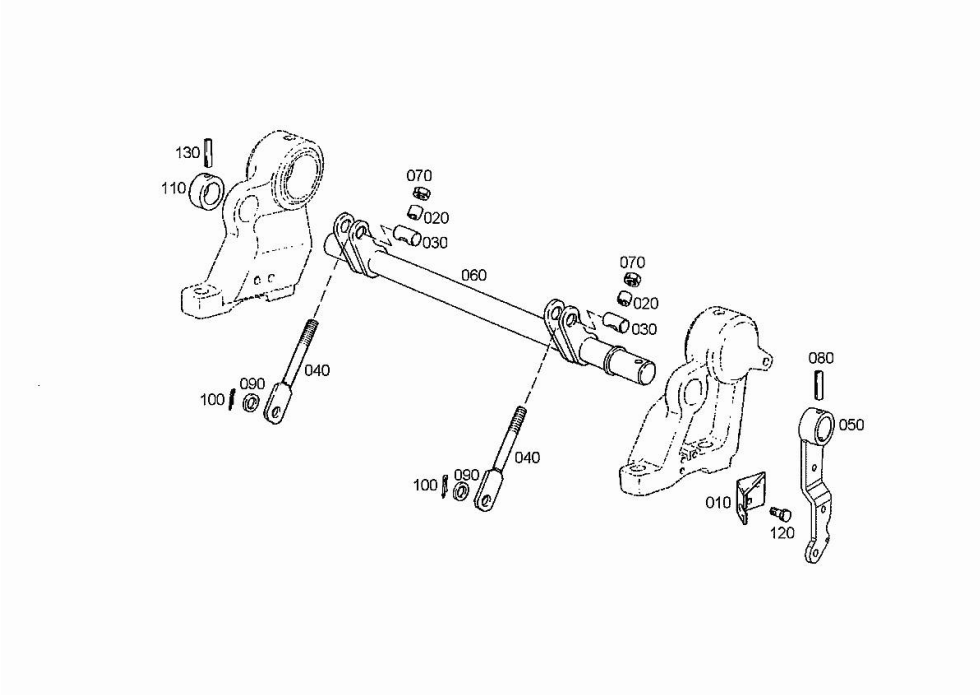
SERVICE BRAKES - 2095 009 054

Fig.	P/n	QTY	Name
10	0.900.0800.4	2	transmission brake
10.10	0.900.0801.0	2	rod
10.20	04435740	2	pin
10.30	0.900.0801.1	2	split pin
30	0.900.0800.5	2	operation
50	0.900.0469.7	6	screw m 10 x 40
60	04434557	4	nut m 14 p.1.5
70	04428558	1	tube sx/lb/li
80	04428559	1	tube dx/rh/re
88	0.900.0468.2	2	clamp 6x12
100	0.900.0280.1	2	screw m 5 x 25
110	0.900.0470.2	2	nut m 5
120	0.900.0281.6	2	nut
200	0.900.0800.9	2	rubber bushing
210	0.900.0801.2	8	disc
220	0.900.0801.3	6	disc



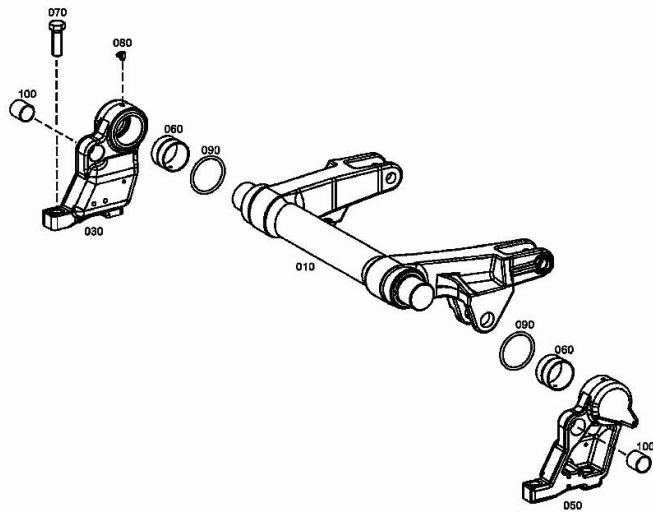
BRAKE CONTROLS - 2095 009 054

Fig.	P/n	QTY	Name
10	0.010.2901.2	1	support
20	0.010.2902.0	2	bushing
30	0.010.2902.1	2	pin
40	0.010.3458.2	2	connecting rod
50	0.900.0466.8	1	brake lever
60	0.010.3459.0	1	shaft
60	0.900.0955.8	1	shaft
70	0.900.0281.9	2	nut m 12
80	0.010.3459.1	2	roll pin
90	0.900.0466.9	2	washer
100	0.900.0468.1	2	split pin 3.2x18
110	0.010.2904.2	1	ring (...) <- > (...)
110	0.900.0957.7	1	ring
120	0.900.0469.4	3	screw m 8 p.1.25 x 20
130	0.900.0290.0	1	roll pin



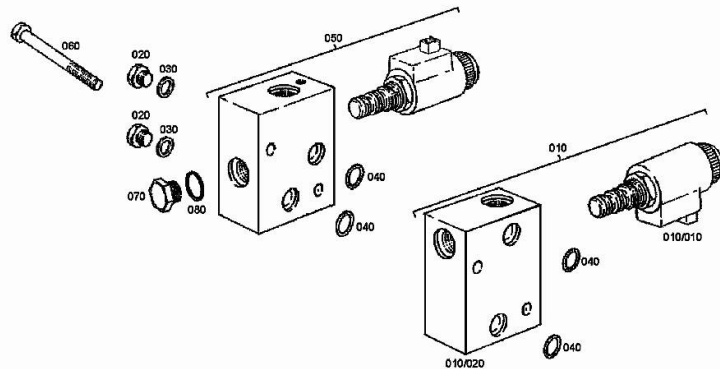
LIFTING - 2095 009 054

Fig.	P/n	QTY	Name
10	0.900.0824.6	1	shaft
30	0.900.0802.9	1	bearing block dx/rh/re
50	0.900.0803.0	1	bearing block sx/lh/li
60	04417549	2	special bushing
70	0.900.0469.1	4	screw m 20x65
80	0.900.0498.6	2	grease gun
90	04417552	2	ring 78.5x6
100	0.010.3844.1	2	bearing



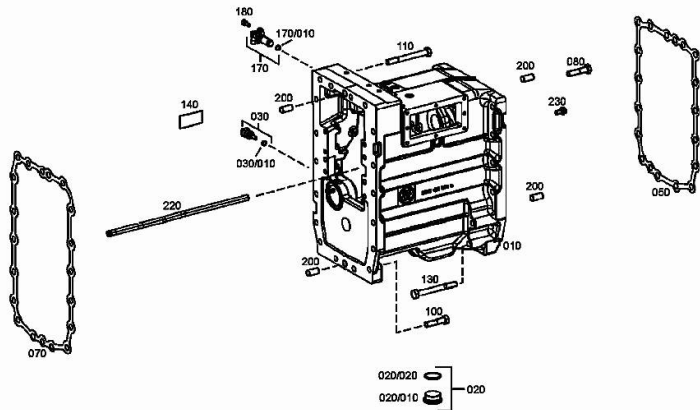
DRIVE FOR GEAR CHANGE BOX - 2095 009 054

Fig.	P/n	QTY	Name
10	0.900.0952.1	1	control
20	04434512	2	plug m 10 p.1
30	0.900.0290.7	2	circlip
40	0.900.0801.4	4	ring 11,3 x 2,4 NBR-70-10
50	0.010.2628.2	1	control (...) <-
50	0.900.0993.3	1	control >- (...)
60	0.900.0279.5	2	screw
70	0.900.0281.0	1	plug m 14 p.1.5
80	04423731	1	oil seal 14 x 18



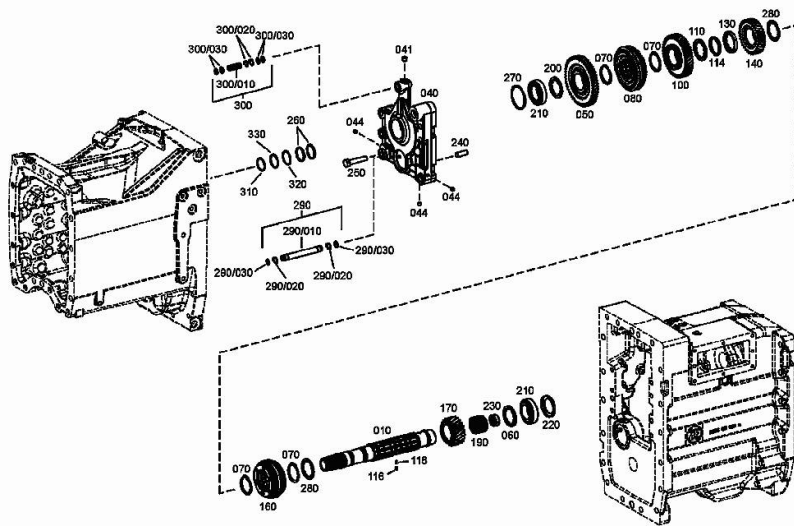
GEARBOX - 2095 009 046

Fig.	P/n	QTY	Name
10	0.900.0284.3	1	gear box
10	0.900.0956.0	1	gear box
20	0.000.0000.1	1	cannot be supplied
20.10	04438472	1	plug m 42 p.1.5
20.20	02315144	1	oil seal 38x2.5
30	0.900.0800.6	1	temperature gauge
30.10	0.900.0801.6	1	ring 11x2 ZFN 744 FPM-80-10
50	0.000.0000.1	1	cannot be supplied
50	04416085	1	gasket mm 0.25
50	04416086	1	gasket mm 0.20
70	04416087	1	gasket
80	0.900.0290.9	5	screw m 14 x 60
100	0.900.0290.9	20	screw m 14 x 60
110	0.010.3354.1	6	screw m 14x130
130	0.010.3354.1	4	screw m 14x130
140	04416088	1	number plate
170	04438450	1	speed sensor L = 53,0mm
170.10	04417747	1	oil seal 15.54x2.62
180	04434551	1	screw m 8 p.1.25 x 20
200	04416090	4	cylindrical plug 16 m 6x30
220	0.010.3437.0	1	flexible hose
230	04416628	1	screw



Section: D0 - TRANSMISSION
LAYSHAFT - 2095 009 046

Fig.	P/n	QTY	Name
10	0.900.0284.6	1	shaft - UP TO ZF GEARBOX SERIAL NO.: 1760792
10	0.900.0956.3	1	shaft - FROM ZF GEARBOX SERIAL NO.: 1760793
40	0.900.0284.0	1	support
41	0.010.3780.2	1	plug
44	04415909	3	ball
50	0.900.0284.4	1	gear z = 53 - UP TO ZF GEARBOX SERIAL NO.: 1760792
50	0.900.0956.2	1	gear - FROM ZF GEARBOX SERIAL NO.: 1760793
60	04416108	1	shim mm 3.2
70	04416096	4	circlip
80	0.900.0277.7	1	lock synchronizer - UP TO ZF GEARBOX SERIAL NO.: 1760792
100	04438441	1	gear Z = 41
110	04416099	1	shim mm 4.0
114	04416100	1	ring
116	04416101	1	pin 4x8
118	04416102	1	pin 2.5x8
130	04416103	1	shim
140	0.900.0284.5	1	gear - UP TO ZF GEARBOX SERIAL NO.: 1760792
140	0.900.0956.1	1	gear - FROM ZF GEARBOX SERIAL NO.: 1760793
160	0.900.0462.5	2	lock synchronizer
170	0.900.0284.7	1	gear wheel
190	04416107	1	roller cage
200	0.000.0000.1	1	cannot be supplied
200	0.010.3418.0	1	washer mm 3.3
200	0.900.0293.2	1	slewing ring mm 3.4
200	04416108	1	shim mm 3.2
200	04416109	1	shim mm 3.5
210	04416948	2	bearing
220	04416111	1	plate
230	04416112	1	bearing
240	04395747	2	cylindrical plug 12 m 6x30
250	0.010.3354.2	6	screw m 12 x 60
260	04335064	2	oil seal 34x3
270	0.000.0000.1	1	cannot be supplied
270	04417246	1	shim mm 1.00
270	04417247	1	shim mm 1.05
270	04417248	1	shim mm 1.10
270	04417249	1	shim mm 1.15



Thank you so much for reading.
Please click the “Buy Now!”
button below to download the
complete manual.



After you pay.

You can download the most
perfect and complete manual in
the world immediately.

Our support email:

ebooklibonline@outlook.com