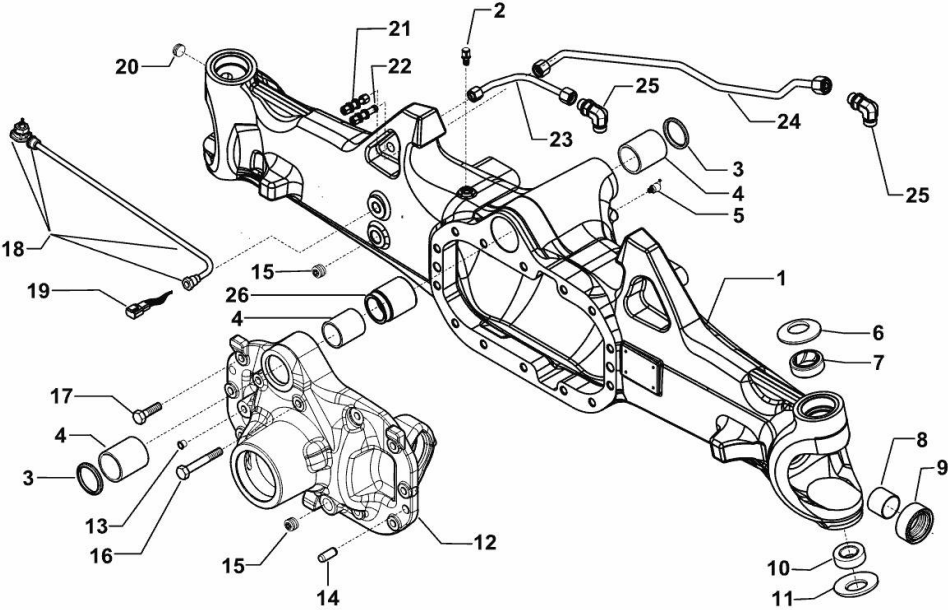


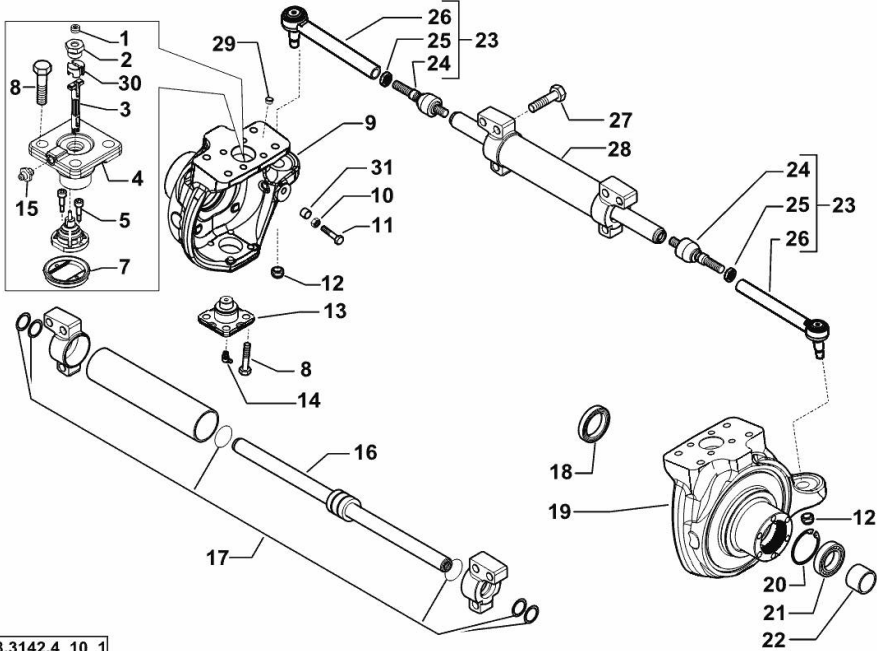
DRIVEN FRONT AXLE - 368175



0.018.3142.4_10_0

Fig.	P/n	QTY	Name
1	0.900.0965.6	1	casing
2	0.900.0079.8	1	breather m 10 p.1
3	0.900.0079.9	2	circlip
4	0.900.0080.0	3	bushing
5	0.900.0080.1	1	grease gun m 8 p.1, 45°
6	0.900.0080.2	2	spring
7	0.900.0080.3	2	bushing
8	0.900.0080.4	2	bushing
9	0.900.0912.6	2	oil seal 40x65x27,5
10	0.900.0080.6	2	bearing
11	0.900.0080.7	2	spring
12	0.900.1536.6	1	flange
13	0.900.0893.4	1	plug D1
14	0.900.0081.0	2	pin Ø 15x45
15	0.900.0081.1	2	plug m 24 p.1.5
16	0.900.0081.2	2	screw m 14x75
17	0.900.0081.3	12	screw m14 x 40
18	0.900.0504.8	1	sensor - KIT
19	0.900.0081.5	1	connector
20	0.900.0081.6	1	plug m 26 p.1.5
21	0.900.0081.7	1	pipe fitting
22	0.900.0081.8	1	pipe fitting
23	04454985	1	tube
24	04454984	1	tube
25	0.900.0082.1	2	pipe fitting
26	0.900.0082.2	1	bushing

STEERING CYLINDER - 368175

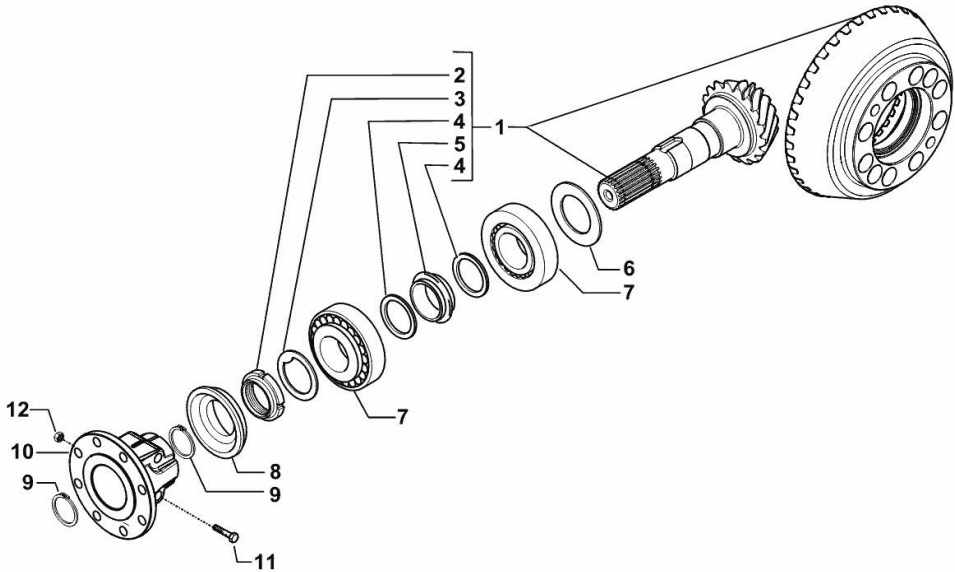


0.018.3142.4_10_1

Fig.	P/n	QTY	Name
1	0.900.0894.3	2	plug
2	0.900.0082.4	2	screw m 20 p.1.5
3	0.900.0965.7	1	small pin
4	0.900.0502.5	2	pin
5	0.900.0082.7	2	screw m 4 x 10
7	0.900.0865.2	1	cover
8	0.900.0082.9	16	screw m 14 x 35
9	0.900.0107.9	1	fork sx/lh/li
10	0.900.0083.1	2	nut m 14
11	0.900.0948.6	2	screw m 14
12	0.900.0083.1	2	nut m 14
13	0.900.0083.4	2	pin
14	0.900.0083.5	2	grease gun m 6 p.1, 45°
15	0.900.0542.4	1	grease gun m 6 p.1
16	0.900.1575.6	1	stem
17	0.900.1575.7	1	gasket set
18	0.900.0083.9	2	oil seal 56x80x13/14,5
19	0.900.0107.5	1	fork dx/rh/re
20	0.900.0084.1	2	circlip
21	0.900.0084.2	2	bearing
22	0.900.0084.3	2	spacer
23	0.900.0107.6	2	rod
24	0.900.0084.5	2	ball joint
25	0.900.0084.6	2	nut m 24x10
26	0.900.0107.7	2	rod
27	0.900.0791.2	6	screw m18x70
28	0.900.1575.8	1	jack
29	0.900.0085.0	8	plug
30	0.900.0961.2	1	small block
31	0.900.0948.7	2	bush

BEVEL WHEEL GEAR - 368175

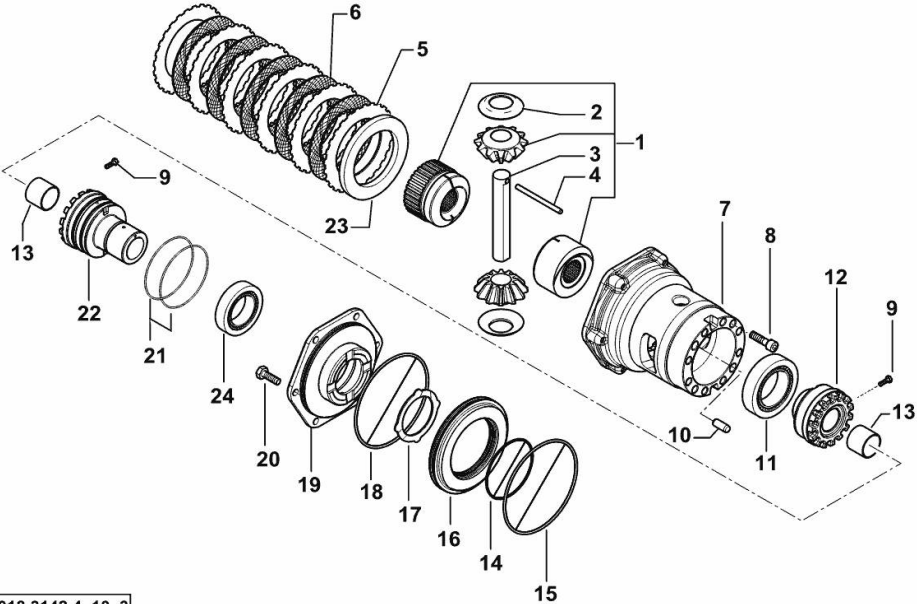
Fig.	P/n	QTY	Name
1	0.900.0085.4	1	bevel drive Z = 14/37
2	0.900.0085.5	1	ring nut m 40 p.1.5
3	0.900.0085.6	1	washer
4	0.900.0085.7	2	washer
5	0.900.0085.8	1	spacer
6	0.900.0085.9		shim mm 2.50
6	0.900.0086.0		shim mm 2.60
6	0.900.0086.1		shim mm 2.70
6	0.900.0086.2		shim mm 2.80
6	0.900.0086.3		shim mm 2.90
6	0.900.0086.4		shim mm 3.00
6	0.900.0086.5		shim mm 3.10
6	0.900.0086.6		shim mm 3.20
6	0.900.0086.7		shim mm 3.30
6	0.900.0086.8		shim mm 3.40
7	0.900.0086.9	2	bearing
8	0.900.0087.0	1	oil seal 35x92/98x13/27
9	0.900.0087.1	2	circlip d = 35
10	0.900.0965.8	1	flange
11	0.900.0960.9	2	screw
12	0.900.0961.0	2	nut



0.018.3142.4_10_2

DIFFERENTIAL - 368175

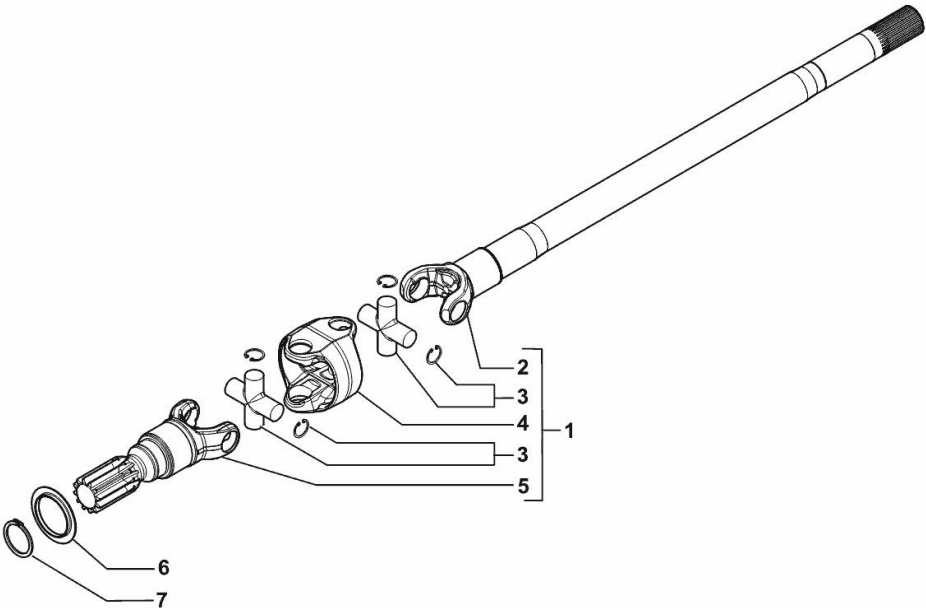
Fig.	P/n	QTY	Name
1	0.900.0966.2	1	differential lock - KIT
2	0.900.0087.4	2	slewing ring
3	0.900.0087.5	1	pin
4	0.900.0087.6	1	pin D7x91
5	0.900.0087.7	6	disc
6	0.900.0087.8	5	disc
7	0.900.0087.9	1	differential carrier
8	0.900.0088.0	10	screw m 12 x 35
9	0.900.0088.1	2	screw m 6 x 25
10	0.900.0088.3	2	pin Ø 12 x 28
11	0.900.0088.4	2	bearing
12	0.900.0088.5	1	ring nut M94x1.5
12	0.900.0088.6	2	bushing
14	0.900.0088.7	1	oil seal
15	0.900.0088.8	1	oil seal
16	0.900.0088.9	1	piston
17	0.900.0089.0	1	disc
18	0.900.0089.1	1	oil seal
19	0.900.0952.0	1	cover - KIT
20	0.900.0089.3	6	screw m 10 x 35
21	0.900.0089.8	2	oil seal
22	0.900.0089.9	1	ring nut m 94 p.1.5
23	0.900.0090.0	1	disc
24	0.900.0090.1	1	bearing



0.018.3142.4_10_3

DOUBLE COUPLING - 368175

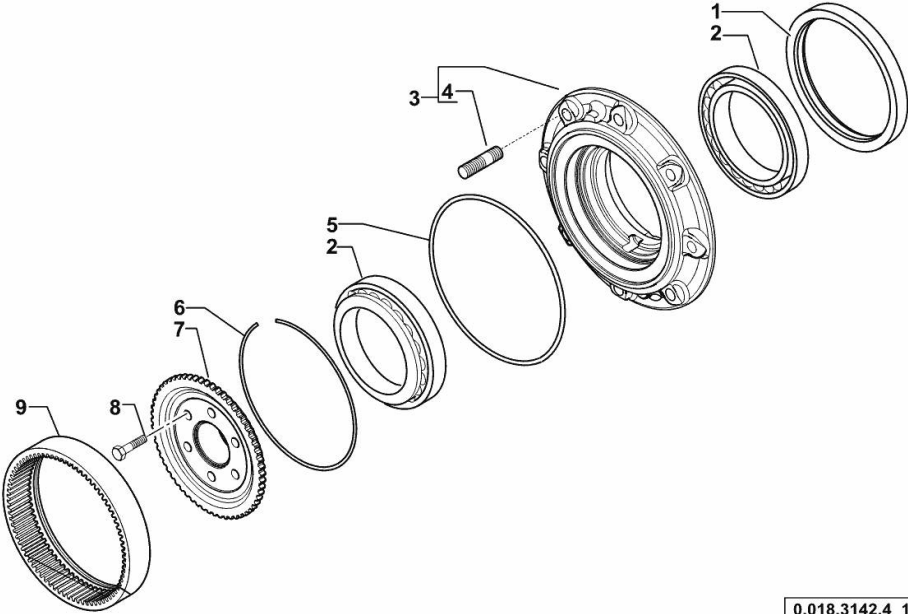
Fig.	P/n	QTY	Name
1	0.900.0912.4	1	shaft kpl. (sx/lh/li)
1	0.900.0912.5	1	shaft kpl. (dx/rh/re)
2	0.900.0966.3	1	fork dx/rh/re
2	0.900.0966.4	1	fork sx/lh/li
3	0.900.1415.7	4	universal joint
4	0.900.0966.0	2	joint
5	0.900.0090.8	2	fork
6	0.900.0090.9	2	cover
7	0.900.0091.0	2	circlip



0.018.3142.4_10_4

WHEEL HUB - 368175

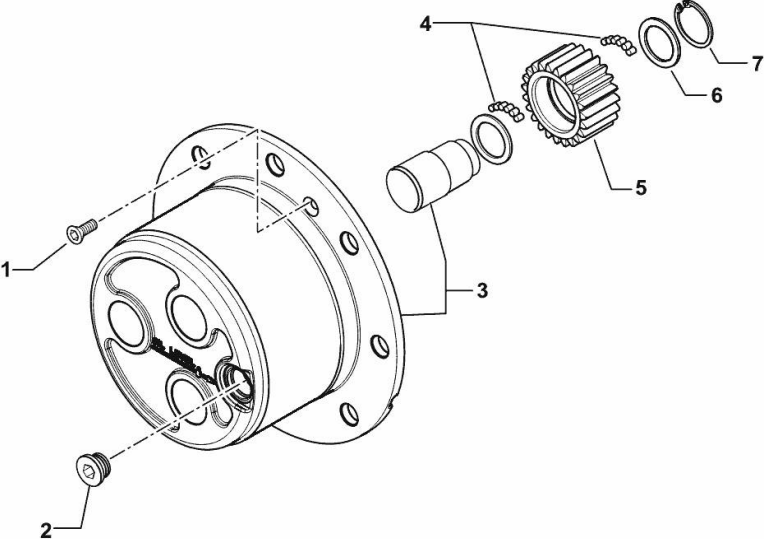
Fig.	P/n	QTY	Name
1	0.900.0091.1	2	oil seal 155x180x14,5
2	0.900.1360.6	4	bearing
3	0.900.0530.9	2	wheel hub
4	0.900.0091.4	16	stud bolt
5	0.900.0091.5	2	oil seal
6	0.900.0091.6	2	circlip
7	0.900.1360.7	2	hub
8	0.900.0091.8	12	screw m 12 x 45
9	0.900.1537.0	2	crown wheel z=60



0.018.3142.4_10_5

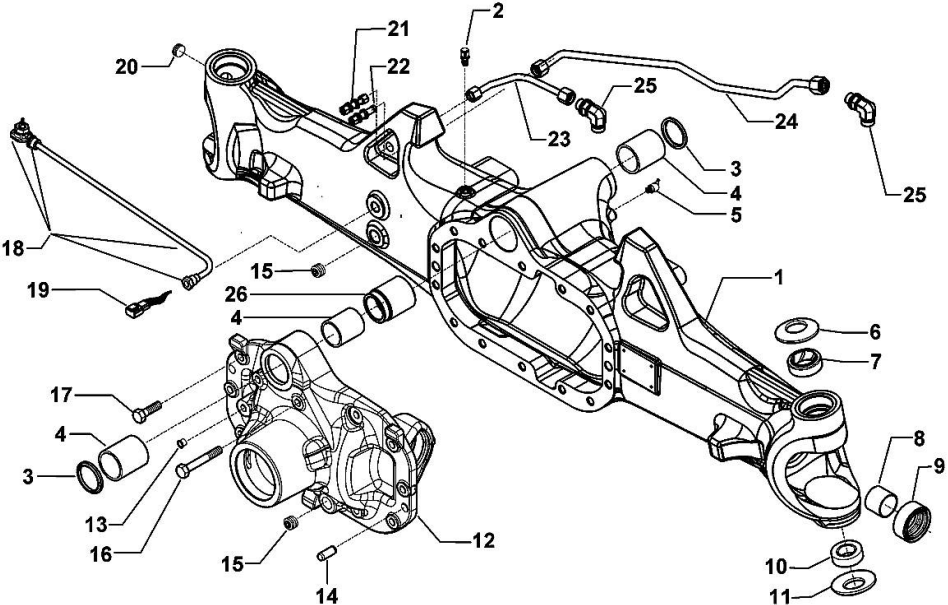
PLANETARY GEAR - 368175

Fig.	P/n	QTY	Name
1	0.900.0092.0	4	screw m 8 p.1.25 x 20
2	0.900.0092.1	2	plug m 30 p.2
3	0.900.0965.9	2	spider - KIT
4	0.900.0092.3	34	roller
5	0.900.0092.4	6	gear Z = 23
6	0.900.0092.5	6	slewing ring
7	0.900.0092.6	6	circlip



0.018.3142.4_10_6

DRIVEN FRONT AXLE - 368175

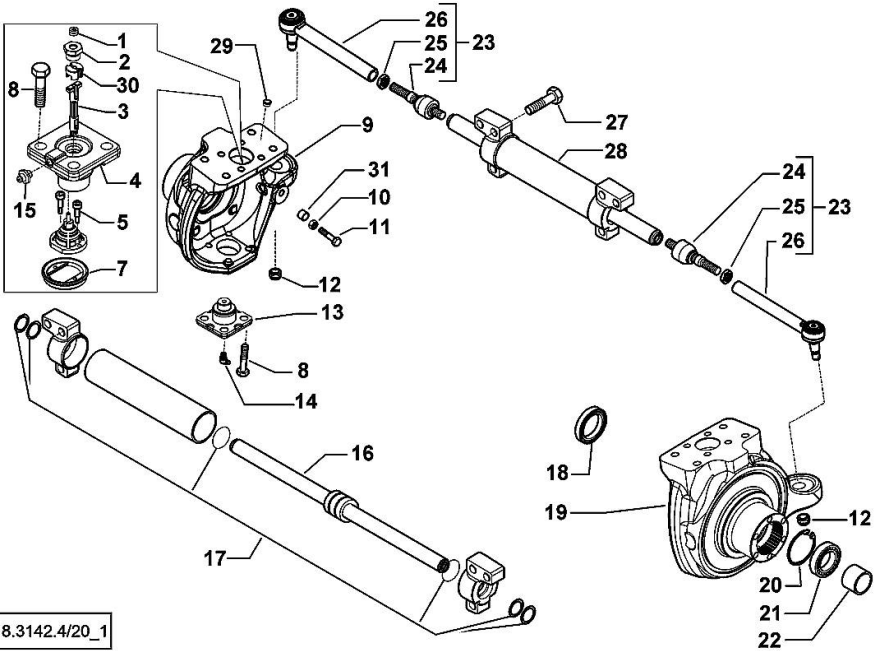


0.018.3142.4/20_0

Fig.	P/n	QTY	Name
1	0.900.0965.6	1	casing
2	0.900.0079.8	1	breather m 10 p.1
3	0.900.0079.9	2	circlip
4	0.900.0080.0	3	bushing
5	0.900.0080.1	1	grease gun m 8 p.1, 45°
6	0.900.0080.2	2	spring
7	0.900.0080.3	2	bushing
8	0.900.0080.4	2	bushing
9	0.900.0912.6	2	oil seal 40x65x27,5
10	0.900.0080.6	2	bearing
11	0.900.0080.7	2	spring
12	0.900.1536.6	1	flange
13	0.900.0893.4	1	plug D1
14	0.900.0081.0	2	pin Ø 15x45
15	0.900.0081.1	2	plug m 24 p.1.5
16	0.900.0081.2	2	screw m 14x75
17	0.900.0081.3	12	screw m14 x 40
18	0.900.0504.8	1	sensor - KIT
19	0.900.0081.5	1	connector
20	0.900.0081.6	1	plug m 26 p.1.5
21	0.900.0081.7	1	pipe fitting
22	0.900.0081.8	1	pipe fitting
23	04454985	1	tube
24	04454984	1	tube
25	0.900.0082.1	2	pipe fitting
26	0.900.0082.2	1	bushing

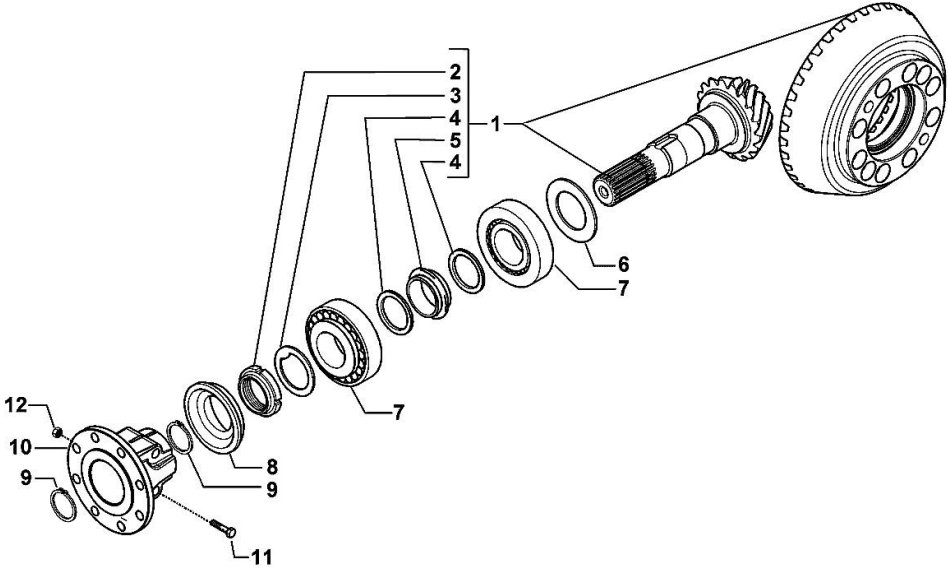
STEERING CYLINDER - 368175

Fig.	P/n	QTY	Name
1	0.900.0894.3	2	plug
2	0.900.0082.4	2	screw m 20 p.1.5
3	0.900.0965.7	1	small pin
4	0.900.0502.5	2	pin
5	0.900.0082.7	2	screw m 4 x 10
7	0.900.0865.2	1	cover
8	0.900.0082.9	16	screw m 14 x 35
9	0.900.0107.9	1	fork sx/lh/li
10	0.900.0083.1	2	nut m 14
11	0.900.0948.6	2	screw m 14
12	0.900.0083.1	2	nut m 14
13	0.900.0083.4	2	pin
14	0.900.0083.5	2	grease gun m 6 p.1, 45°
15	0.900.0542.4	1	grease gun m 6 p.1
16	0.900.1575.6	1	stem
17	0.900.1575.7	1	gasket set
18	0.900.0083.9	2	oil seal 56x80x13/14,5
19	0.900.0107.5	1	fork dx/rh/re
20	0.900.0084.1	2	circlip
21	0.900.0084.2	2	bearing
22	0.900.0084.3	2	spacer
23	0.900.0107.6	2	rod
24	0.900.0084.5	2	ball joint
25	0.900.0084.6	2	nut m 24x10
26	0.900.0107.7	2	rod
27	0.900.0791.2	6	screw m18x70
28	0.900.1575.8	1	jack
29	0.900.0085.0	8	plug
30	0.900.0961.2	1	small block
31	0.900.0948.7	2	bush



BEVEL WHEEL GEAR - 368175

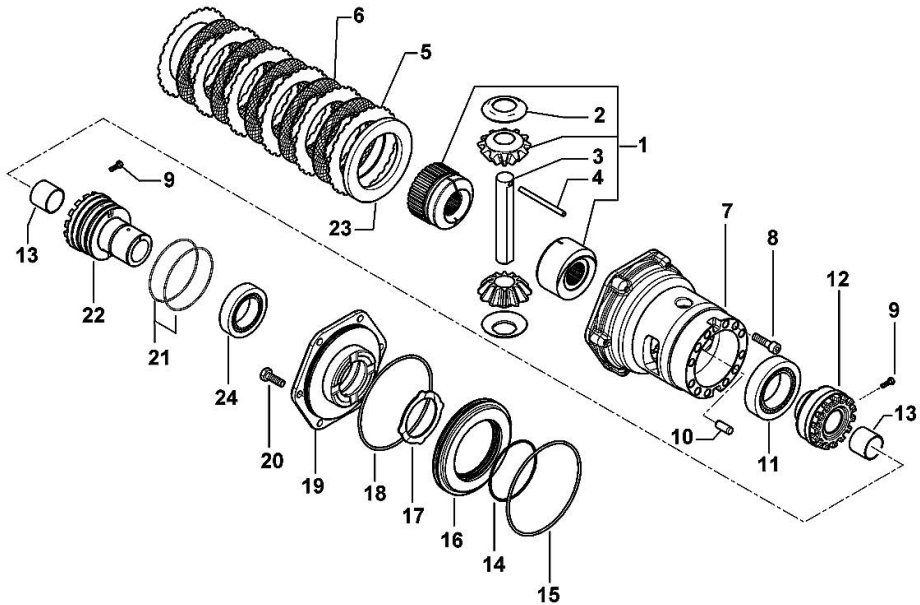
Fig.	P/n	QTY	Name
1	0.900.0085.4	1	bevel drive Z = 14/37
2	0.900.0085.5	1	ring nut m 40 p.1.5
3	0.900.0085.6	1	washer
4	0.900.0085.7	2	washer
5	0.900.0085.8	1	spacer
6	0.900.0085.9		shim mm 2.50
6	0.900.0086.0		shim mm 2.60
6	0.900.0086.1		shim mm 2.70
6	0.900.0086.2		shim mm 2.80
6	0.900.0086.3		shim mm 2.90
6	0.900.0086.4		shim mm 3.00
6	0.900.0086.5		shim mm 3.10
6	0.900.0086.6		shim mm 3.20
6	0.900.0086.7		shim mm 3.30
6	0.900.0086.8		shim mm 3.40
7	0.900.0086.9	2	bearing
8	0.900.0087.0	1	oil seal 35x92/98x13/27
9	0.900.0087.1	2	circlip d = 35
10	0.900.0965.8	1	flange
11	0.900.0960.9	2	screw
12	0.900.0961.0	2	nut



0.018.3142.4/20_2

DIFFERENTIAL - 368175

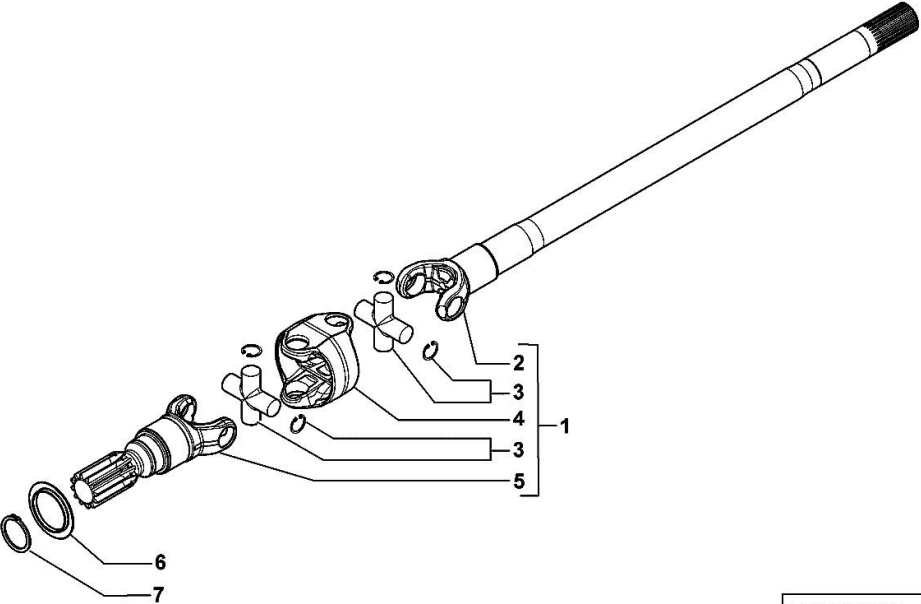
Fig.	P/n	QTY	Name
1	0.900.0966.2	1	differential lock - KIT
2	0.900.0087.4	2	slewing ring
3	0.900.0087.5	1	pin
4	0.900.0087.6	1	pin D7x91
5	0.900.0087.7	6	disc
6	0.900.0087.8	5	disc
7	0.900.0087.9	1	differential carrier
8	0.900.0088.0	10	screw m 12 x 35
9	0.900.0088.1	2	screw m 6 x 25
10	0.900.0088.3	2	pin Ø 12 x 28
11	0.900.0088.4	2	bearing
12	0.900.0088.5	1	ring nut M94x1.5
12	0.900.0088.6	2	bushing
14	0.900.0088.7	1	oil seal
15	0.900.0088.8	1	oil seal
16	0.900.0088.9	1	piston
17	0.900.0089.0	1	disc
18	0.900.0089.1	1	oil seal
19	0.900.0952.0	1	cover - KIT
20	0.900.0089.3	6	screw m 10 x 35
21	0.900.0089.8	2	oil seal
22	0.900.0089.9	1	ring nut m 94 p.1.5
23	0.900.0090.0	1	disc
24	0.900.0090.1	1	bearing



0.018.3142.4/20_3

DOUBLE COUPLING - 368175

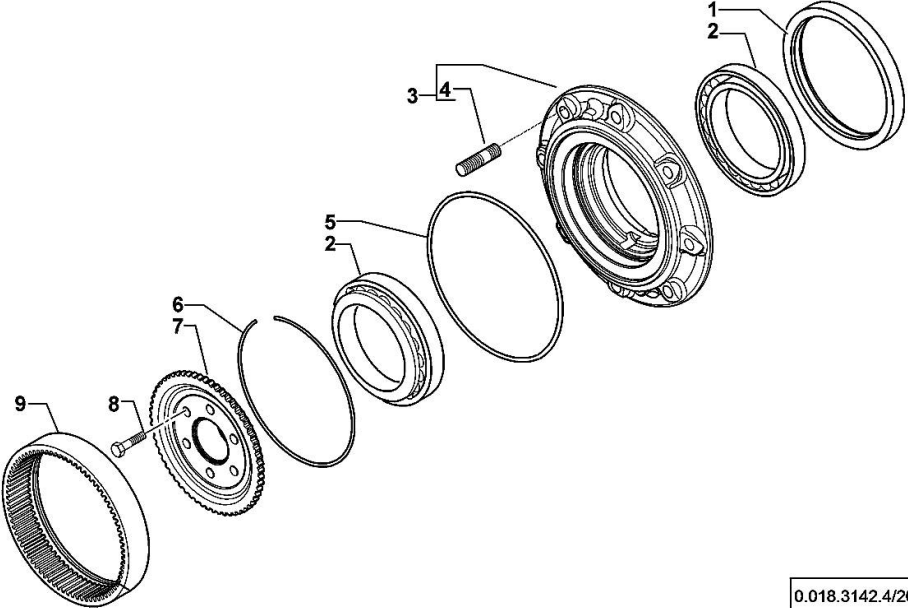
Fig.	P/n	QTY	Name
1	0.900.0912.4	1	shaft kpl. (sx/lh/li)
1	0.900.0912.5	1	shaft kpl. (dx/rh/re)
2	0.900.0966.3	1	fork dx/rh/re
2	0.900.0966.4	1	fork sx/lh/li
3	0.900.1415.7	4	universal joint
4	0.900.0966.0	2	joint
5	0.900.0090.8	2	fork
6	0.900.0090.9	2	cover
7	0.900.0091.0	2	circlip



0.018.3142.4/20_4

WHEEL HUB - 368175

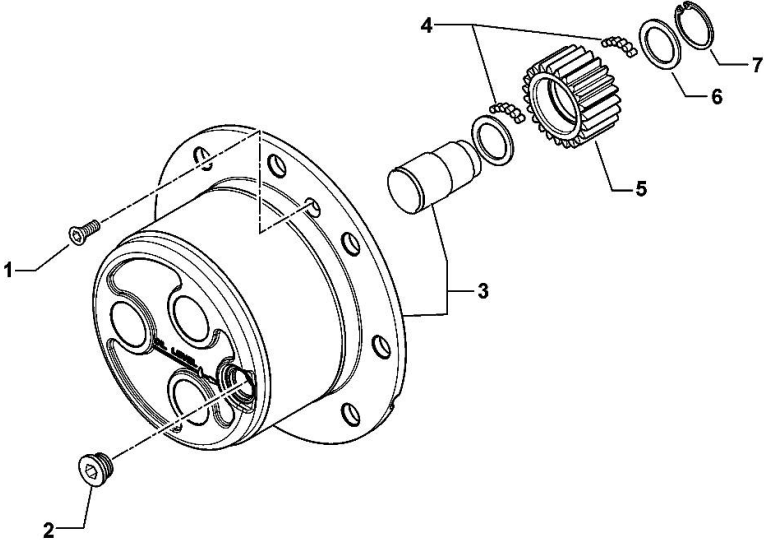
Fig.	P/n	QTY	Name
1	0.900.0091.1	2	oil seal 155x180x14,5
2	0.900.1360.6	4	bearing
3	0.900.0530.9	2	wheel hub
4	0.900.0091.4	16	stud bolt
5	0.900.0091.5	2	oil seal
6	0.900.0091.6	2	circlip
7	0.900.1360.7	2	hub
8	0.900.0091.8	12	screw m 12 x 45
9	0.900.1537.0	2	crown wheel z=60



0.018.3142.4/20_5

PLANETARY GEAR - 368175

Fig.	P/n	QTY	Name
1	0.900.0092.0	4	screw m 8 p.1.25 x 20
2	0.900.0092.1	2	plug m 30 p.2
3	0.900.0965.9	2	spider - KIT
4	0.900.0092.3	34	roller
5	0.900.0092.4	6	gear Z = 23
6	0.900.0092.5	6	slewing ring
7	0.900.0092.6	6	circlip



0.018.3142.4/20_6

IRON 115 DCR -> ZKDL300200TS10001

Section: F0 - FRONT AXLE

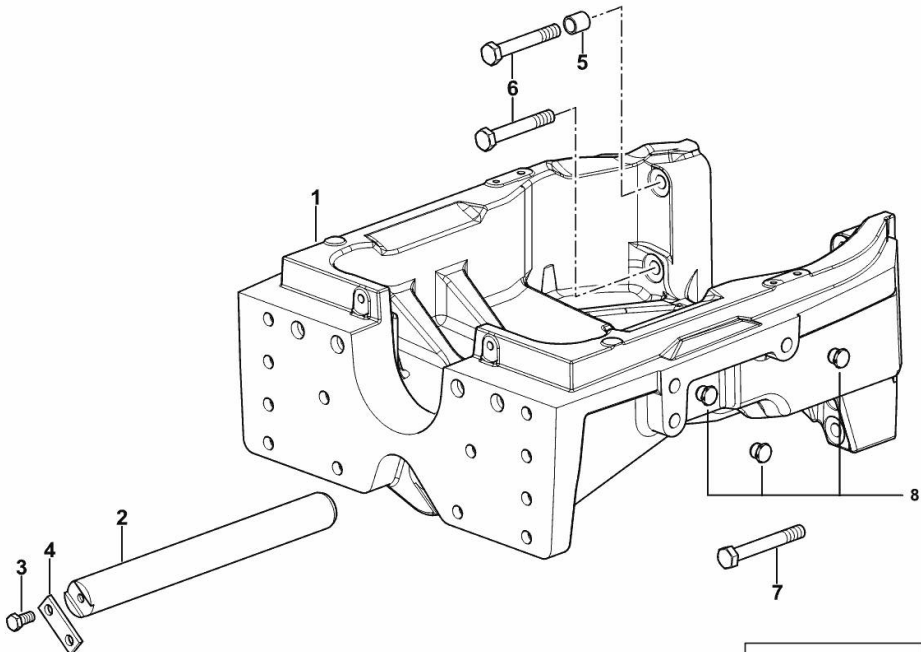
Ref: F0.01.2 (1)

4WD - FRONT SUPPORT

Fig.	P/n	QTY	Name
------	-----	-----	------

Notes:
 [IRON 115 DCR -> ZKDL300200TS10001]

1	0.016.0970.0/40	1	front support
2	04411024	1	pin
3	2.0114.409.2	1	screw m 12 x 25
4	04419914	1	bracket
5	2.2680.047.0	2	ring 17x22x23
6	2.0119.288.6	4	screw m16x100 d931
7	2.0119.282.6	4	screw m 16 x 120
8	2.3199.362.0	6	plug



9_L3852_00_0-A-001

Thank you so much for reading.
Please click the “Buy Now!”
button below to download the
complete manual.



After you pay.

You can download the most
perfect and complete manual in
the world immediately.

Our support email:

ebooklibonline@outlook.com