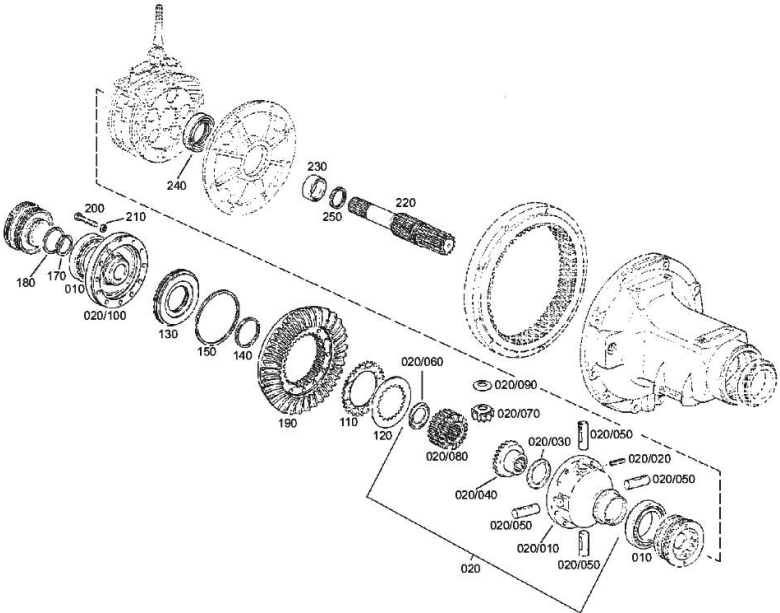


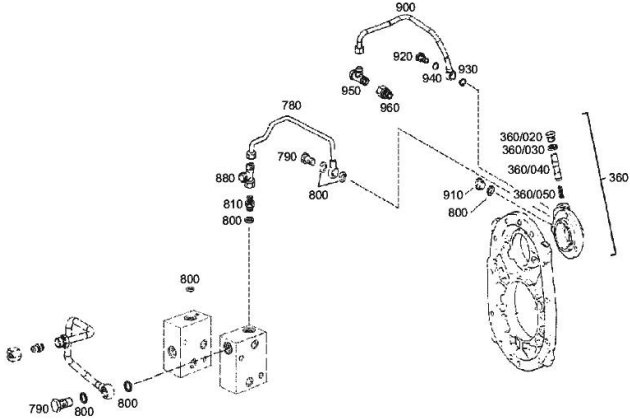
DIFFERENTIAL - 2095 009 057

Fig.	P/n	QTY	Name
10	0.010.3580.1	2	roller bearing
20	0.900.1408.1	1	differential carrier
20.10	0.010.3457.1	1	differential carrier
20.20	0.010.3349.0	4	roll pin 8 x 40
20.30	0.900.0124.2	1	slewing ring
20.40	04417296	1	gear
20.50	0.010.3457.2	4	axle
20.60	0.900.0124.0	1	slewing ring
20.70	0.900.0288.9	4	planet gear
20.80	04417301	1	bearing
20.90	0.900.0288.8	4	slewing ring
20.100	04417310	1	box
110	0.900.1398.2	8	disc Z = 48
120	0.900.1398.7	7	thin plate Z = 38
130	0.900.0025.0	1	piston
140	0.900.0124.1	1	oil seal
150	0.900.0268.5	1	oil seal 69 x 3
170	0.900.0800.7	1	ring 55 x 2.5
180	0.900.0800.8	1	ring 70 x 3.0
190	0.900.0956.8	1	bevel ring gear
200	0.010.3729.2	12	screw m 12 x 80
210	0.900.0277.9	12	washer
220	0.010.3460.0	2	pinion
230	04417315	2	bushing
240	04417316	2	oil seal
250	0.900.0278.9	2	ring 54 x 2.5



P.T.O. - POWER TAKE OFF - 2095 009 057

Fig.	P/n	QTY	Name
360	0.900.1235.6	1	cover
360.20	0.010.2906.0	1	plug m 16 p.1.5
360.30	04436331	1	oil seal 16 x 20
360.40	0.900.1386.4	1	piston
360.50	0.900.1384.9	1	spring
780	0.900.1408.3	1	tube
790	0.900.0282.1	2	pipe union
800	04423731	7	oil seal 14 x 18
810	04417466	1	pipe fitting
880	04417783	1	pipe fitting
900	0.900.0283.5	1	tube
910	0.900.0280.7	1	stop
920	04427560	1	pipe union
930	0.010.2895.0	1	gasket 14x20
940	04436331	1	oil seal 16 x 20
950	04431782	1	threaded joint
960	0.900.0282.4	1	pipe union



P.T.O. - POWER TAKE OFF - 2095 009 057

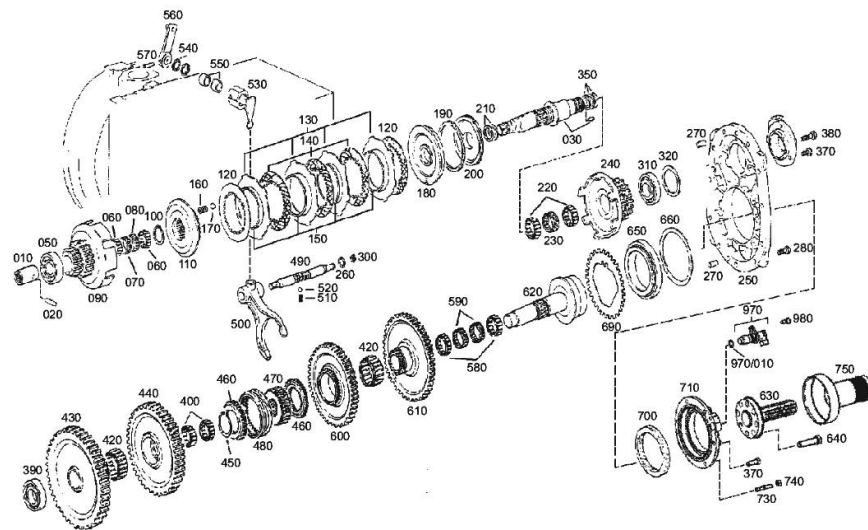


Fig.	P/n	QTY	Name
10	04421009	1	sleeve
20	0.010.2894.1	1	pin 8 x 30 -> (...)
20	0.900.0290.1	1	roll pin (...) <-
30	0.900.0058.5	1	shaft (...) <-
30	0.900.1408.2	1	shaft -> (...)
50	0.900.1406.7	1	roller bearing -> (...)
50	04417336	1	roller cage (...) <-
60	04417336	2	roller cage
70	04417337	1	roller cage
80	04417338	3	roller cage
90	0.900.0287.7	1	gear
100	0.010.3724.2	1	circlip 40 x 1.75
110	0.900.0955.7	1	hub
120	0.900.1405.3	2	gear -> (...) - (...) <-
120	0.900.1498.2	2	disc z=38 -> (...)
120	04417343	2	ring (...) <-
130	0.900.1402.9	5	ring
140	0.900.1441.4	4	thin plate z=38
150	0.900.1498.1	5	spring
160	04417347	8	spring
170	04415830	8	ball 12 mm
180	0.900.0957.1	1	cylinder (...) <-
180	0.900.1408.9	1	cylinder -> (...)
190	0.900.0468.4	1	oil seal 120x3
200	0.900.0489.5	1	piston
210	0.900.0879.0	2	ring
220	04417383	2	roller cage
230	04417353	1	roller cage
240	0.900.0287.8	1	gear
250	04417355	1	cover
260	0.900.0278.8	1	oil seal
270	04328555	2	cylindrical plug 10 m 6x20
280	0.900.0279.9	11	screw m 10 x 30

P.T.O. - POWER TAKE OFF - 2095 009 057

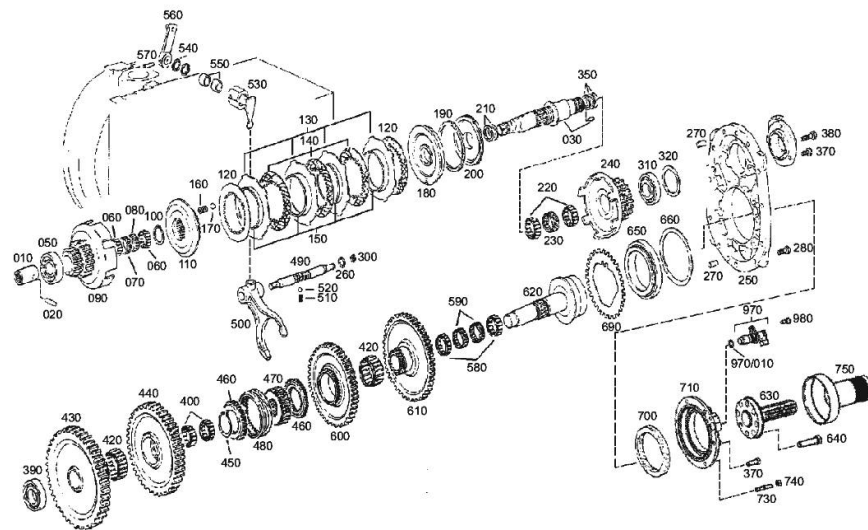


Fig.	P/n	QTY	Name
300	0.010.3358.0	1	nut m 10
310	0.900.0279.2	1	roller bearing
310	0.900.1385.0	1	bearing (...) <- > (...)
320	0.000.0000.1	1	cannot be supplied
320	04417360	1	shim s = 0.10
320	04417361	1	shim s = 0.15
320	04417362	1	shim s = 0.40
350	04423359	3	ring
370	0.900.0291.0	4	screw (...) <- > (...)
370	04434498	4	screw m 8 x 25 > (...)
380	0.900.0280.0	1	screw m 8 x 45
390	04417335	1	roller bearing
400	04417336	2	roller cage
420	04417368	2	roller cage
430	0.900.0288.3	1	gear
440	04417370	1	gear wheel
450	0.010.3347.1	1	circlip 38x2.5
460	04427547	2	control panel
470	04423335	1	support
480	04423337	1	sleeve
490	0.900.1499.8	1	rod > (...)
490	04424371	1	lever (...) <- > (...)
500	0.010.3701.2	1	fork
510	04417378	1	spring
520	04415909	1	ball
530	04417379	1	small lever
540	0.900.0278.5	2	ring 20x3.5
550	04417381	2	bushing
560	0.900.0294.2	1	lever (...) <- > (...)
560	04417382	1	lever > (...)
570	0.010.3348.2	1	roll pin 8x36 > (...)
570	0.900.0290.2	1	roll pin (...) <- > (...)
580	04417352	2	roller cage > (...)

P.T.O. - POWER TAKE OFF - 2095 009 057

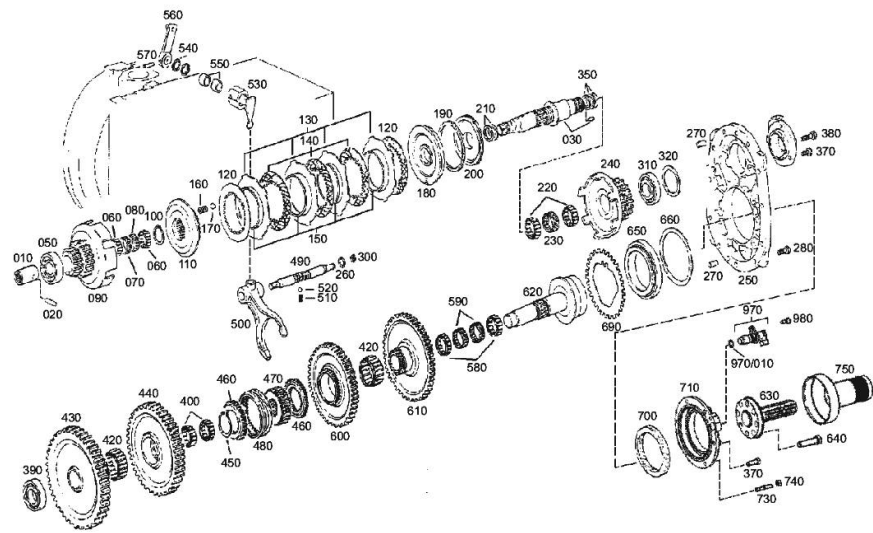


Fig.	P/n	QTY	Name
580	04417383	2	roller cage (...) <-
590	04417384	2	roller cage
600	0.900.0288.5	1	gear
610	0.900.0288.4	1	gear
620	0.900.0957.0	1	shaft
630	04417388	1	shaft
640	0.010.3293.0	8	screw m 12 x 50
650	0.900.0282.9	1	roller bearing
660	0.000.0000.1	1	cannot be supplied
660	04417391	1	shim s = 0.10
660	04417392	1	shim s = 0.15
660	04417393	1	shim s = 0.40
690	0.900.1432.0	1	gear -> (...)
690	04439236	1	gear (...) <-
700	04417395	1	oil seal 94x118x12
710	04417438	1	cover
730	0.900.0281.3	4	stud bolt m 8 x 35
740	0.900.0281.5	4	nut m 8
750	04417440	1	guard
970	0.010.2874.2	1	speed sensor -> (...)
970.10	04417747	1	oil seal 15.54x2.62 -> (...)
980	0.900.1235.8	1	screw m8x14 -> (...)

IRON 115 DCR -> ZKDT680200TS10001

Section: D0 - TRANSMISSION

Ref: 04454651.4/80

REAR DIFFERENTIAL AND HALF-SHAFTS - 2095 009 057

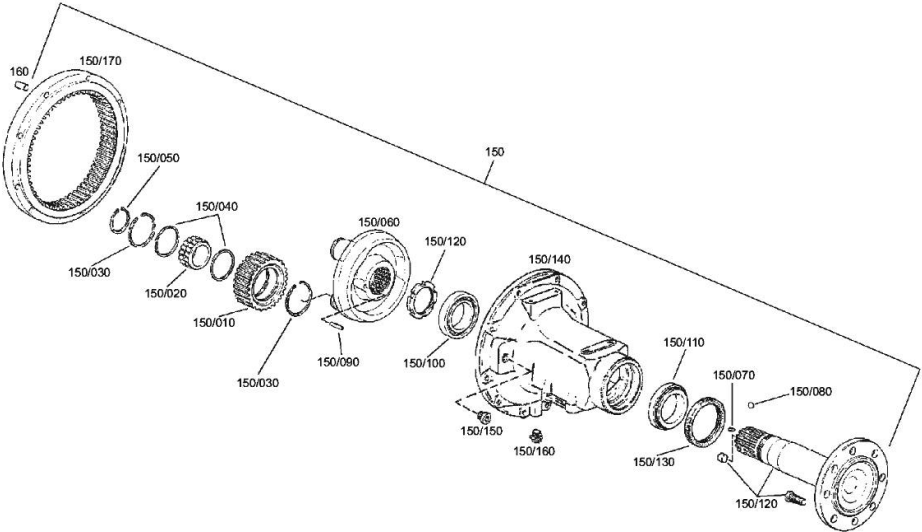


Fig.	P/n	QTY	Name
150	0.900.0993.4	2	support
150.10	0.900.1409.9	3	planet gear
150.20	0.900.0282.8	3	roller bearing
150.30	0.900.0278.1	6	circlip
150.40	0.900.0282.6	6	slewing ring 72x80.8x1
150.50	0.010.2888.1	3	circlip 55 x 2.0
150.60	0.900.0956.9	1	spider
150.70	0.010.3588.2	1	grub screw m 10x16
150.80	04309268	1	ball
150.90	0.900.0278.3	1	roll pin 8x90
150.100	0.900.0283.0	1	roller bearing
150.110	0.900.0953.7	1	roller bearing
150.120	0.900.0489.3	1	shaft
150.120	04439237	-	wheel stud
150.130	0.010.3643.0	1	ring
150.140	0.900.0957.5	1	support
150.150	0.900.0001.8	2	plug
150.160	0.010.3849.0	1	plug
150.170	0.900.1365.3	1	crown wheel Z = 105
160	0.900.0278.2	2	pin 12 x 24

REAR GEARBOX CASE - 2095 009 057

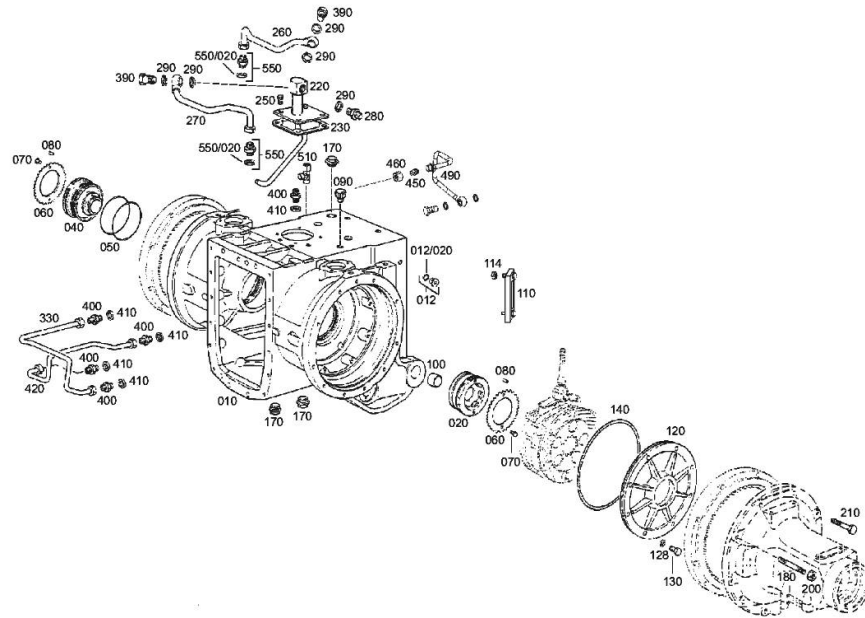


Fig.	P/n	QTY	Name
10	0.900.1409.1	1	gear box
12	04434494	2	screw
12.20	0.010.2627.1	1	oil seal 11x2
20	04428944	1	register
30	0.010.3849.0	1	plug (...) <-
40	04428945	1	register
50	0.900.0278.7	2	ring
60	04417449	2	plate
70	04435695	4	screw m 8 x 16
80	04435703	2	pin 5 x 20
90	04417453	1	plug
100	04417451	2	bushing
110	04419731	1	level indicator
114	04423732	2	rubber plug
120	0.900.1409.2	2	plate -> (...)
120	04428583	2	plate (...) <-
128	0.900.0277.9	4	washer
130	0.900.0279.7	16	screw m 12 x 40
140	04428220	2	oil seal 305x4
170	0.010.3849.1	3	plug
180	04423326	4	screw
200	0.900.0281.4	4	nut m 12
210	04423325	16	screw
220	0.900.0287.4	1	tube
230	0.010.2897.1	1	gasket
250	0.010.2874.0	4	screw m 8 x 22
260	0.900.0287.5	1	tube
270	0.900.0287.6	1	tube
280	0.900.0282.3	1	pipe union
290	0.900.0985.0	5	oil seal 18 x 24
330	04428942	1	tube
390	0.900.0282.0	2	screw
400	04417466	5	pipe fitting
410	04423731	5	oil seal 14 x 18
420	04417478	1	tube
450	0.010.3101.1	1	plug
460	04417788	1	nut
490	0.900.0490.8	1	tube
510	04417783	1	pipe fitting
550	0.900.1392.0	2	pipe fitting
550.20	0.900.1239.4	1	oil seal 15.3x2.4

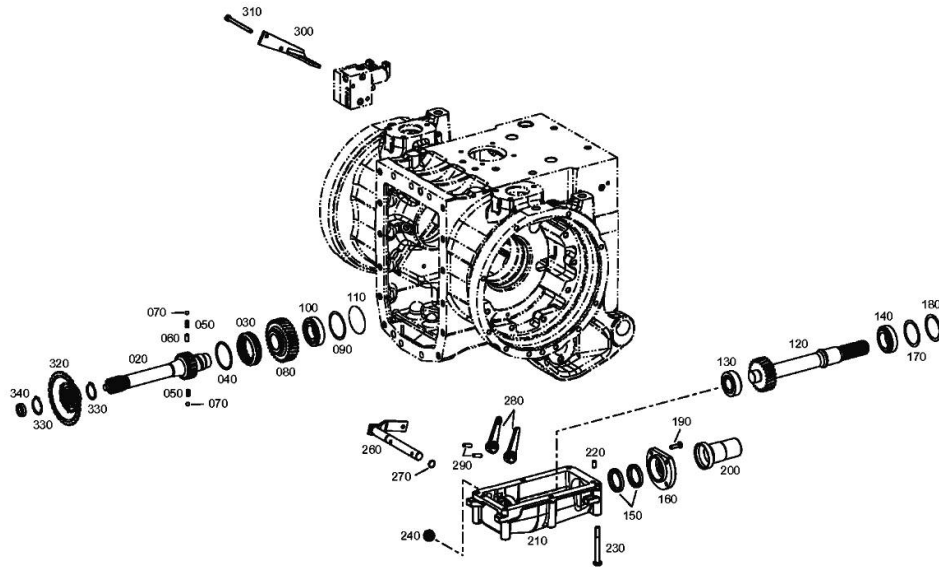
IRON 115 DCR -> ZKDT680200TS10001

Section: D0 - TRANSMISSION

Ref: 04454651.4/80

ROAD P.T.O. SHAFT - 2095 009 057

Fig.	P/n	QTY	Name
20	0.900.1500.0	1	shaft
30	04417488	1	sleeve
40	0.900.0278.0	1	circlip
50	04417378	2	spring
60	0.900.0953.2	1	cylindrical plug m 6 x 15
70	04415909	2	ball
80	04417491	1	gear wheel
90	0.900.1380.1	1	washer
90	04417360	1	shim s = 0.10
90	04417361	1	shim s = 0.15
90	04417362	1	shim s = 0.40
100	0.900.0279.3	1	roller bearing
110	04417494	1	cover
120	04417495	1	shaft
130	04431639	1	bearing
140	04416110	1	roller bearing
150	04417498	2	ring
160	04417499	1	cover
170	0.010.3343.2	1	small block 55x68x0.5
180	0.010.3343.1	1	small block 55x68x0.1
190	04434498	4	screw m 8 x 25
200	04417500	1	guard
210	04417501	1	box
220	0.900.0953.2	2	cylindrical plug m 6 x 15
230	0.900.0279.6	6	screw
240	0.010.3847.2	1	stop
260	0.010.3454.1	1	shaft
270	0.900.0278.8	1	oil seal
280	04417505	2	lever
290	0.010.3348.1	2	roll pin 8x26
300	0.900.1499.9	1	plate
310	0.900.0469.5	2	screw m 8 x 100
320	0.900.1500.1	1	driver
330	0.900.1498.4	2	ring
340	0.900.1498.9	1	ball bearing



REAR BRAKES - 2095 009 057

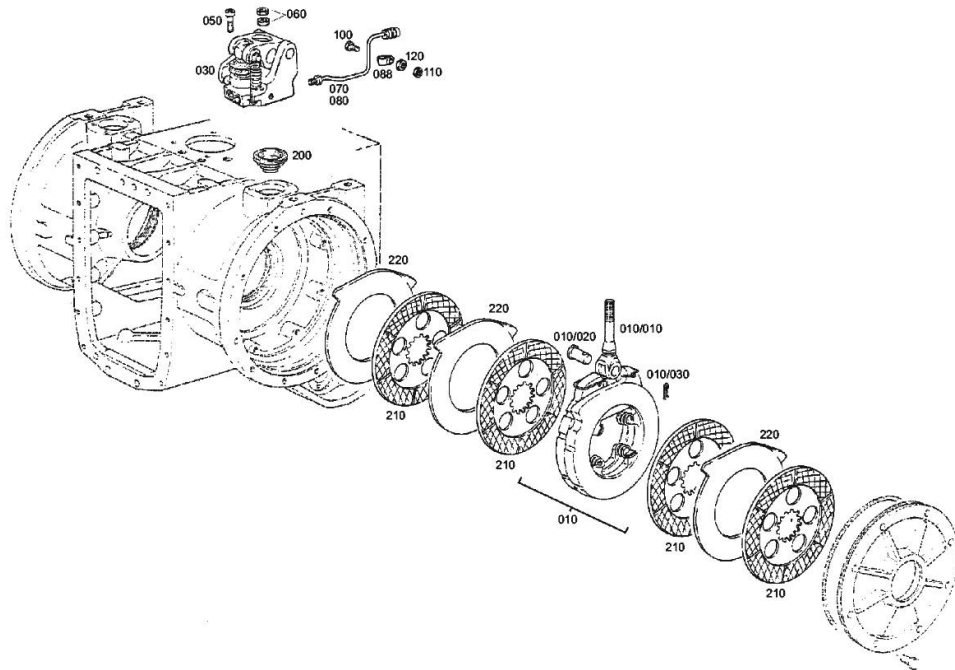


Fig.	P/n	QTY	Name
10	0.900.0800.4	2	transmission brake
10.10	04428551	1	rod
10.20	04435740	1	pin
10.30	04435741	1	split pin
30	0.900.0800.5	2	operation
50	0.900.0469.7	6	screw m 10 x 40
60	04434557	4	nut m 14 p.1.5
70	04428558	1	tube sx/lb/li
80	04428559	1	tube dx/rh/re
88	0.900.0468.2	2	clamp 6x12
100	0.900.0280.1	2	screw m 5 x 25
110	0.900.0470.2	2	nut m 5
120	0.900.0281.6	2	nut
200	0.900.0800.9	2	rubber bushing
210	0.900.0801.2	8	disc
220	0.900.0801.3	6	disc

BRAKE CONTROLS - 2095 009 057

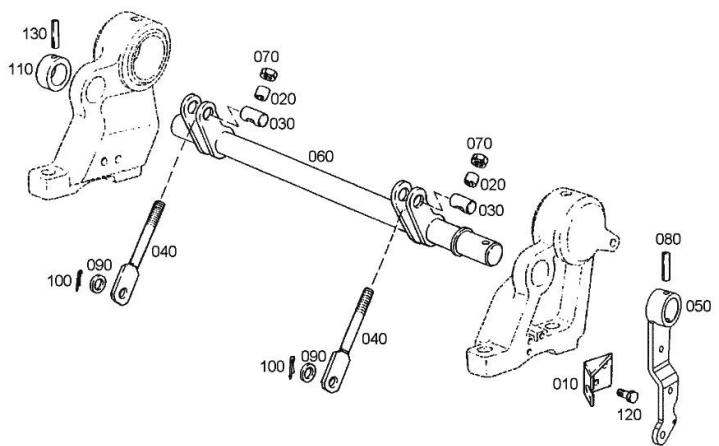
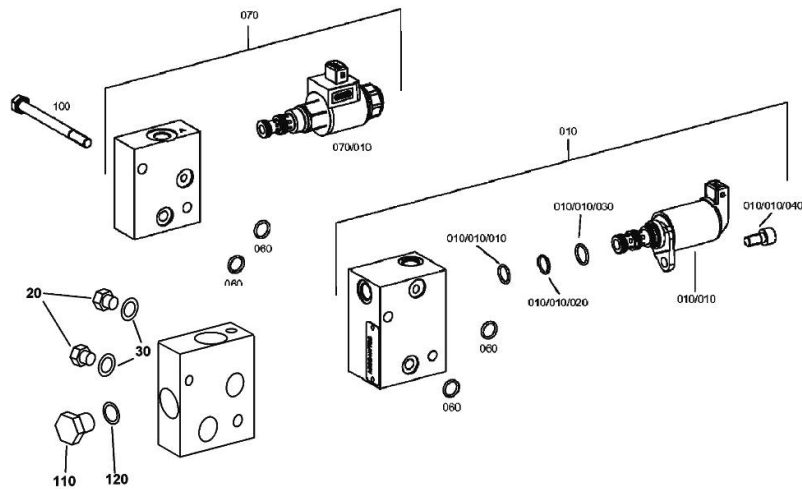


Fig.	P/n	QTY	Name
10	0.010.2901.2	1	support (...) <-
10	0.900.1239.7	1	bracket -> (...)
20	0.010.2902.0	2	bushing (...) <-
20	0.900.1239.8	2	tube -> (...)
30	0.010.2902.1	2	pin (...) <-
30	0.900.1239.9	2	pin -> (...)
40	0.010.3458.2	2	connecting rod (...) <-
40	0.900.1408.4	2	rod -> (...)
50	0.900.0466.8	1	brake lever (...) <-
50	0.900.1240.1	1	lever -> (...)
60	0.900.0955.8	1	shaft (...) <-
60	0.900.1408.5	1	shaft -> (...)
70	0.900.0281.9	2	nut m 12
80	0.010.3459.1	1	roll pin
90	0.900.0466.9	2	washer
100	0.900.0468.1	2	split pin 3.2x18
110	0.010.2904.2	1	ring (...) <-
110	0.900.0957.7	1	ring -> (...) - (...) <-
110	0.900.1240.3	1	spacer -> (...)
120	0.900.0469.4	3	screw m 8 p.1.25 x 20
130	0.010.2901.1	1	pin 6x50 -> (...)
130	0.900.0290.0	1	roll pin (...) <-

DRIVE FOR GEAR CHANGE BOX - 2095 009 057

Fig.	P/n	QTY	Name
10	0.900.0952.1	1	control
10.10	0.900.0952.8	1	solenoid valve DV
10.10	0.900.1377.5	1	gasket 12,4 x 1,78
10.20	0.900.1377.6	1	gasket 13 x 1.5
10.30	0.900.1377.7	1	gasket 14x1.78
10.40	0.900.1377.8	1	screw m 8 x 16
20	04434512	2	plug m 10 p.1 (...) <-
30	0.900.0290.7	2	circlip (...) <-
60	0.900.0801.4	4	ring 11,3 x 2,4 NBR-70-10
70	0.010.2628.2	1	control (...) <-
70	0.900.0993.3	1	control -> (...) - (...) <-
70	0.900.1363.3	1	small block -> (...)
70.10	0.900.1384.6	1	solenoid valve
100	0.900.1405.5	2	screw m 8x90
110	0.900.0281.0	1	plug m 14 p.1.5 (...) <-
120	04423731	1	oil seal 14 x 18 (...) <-



LIFTING - 2095 009 057

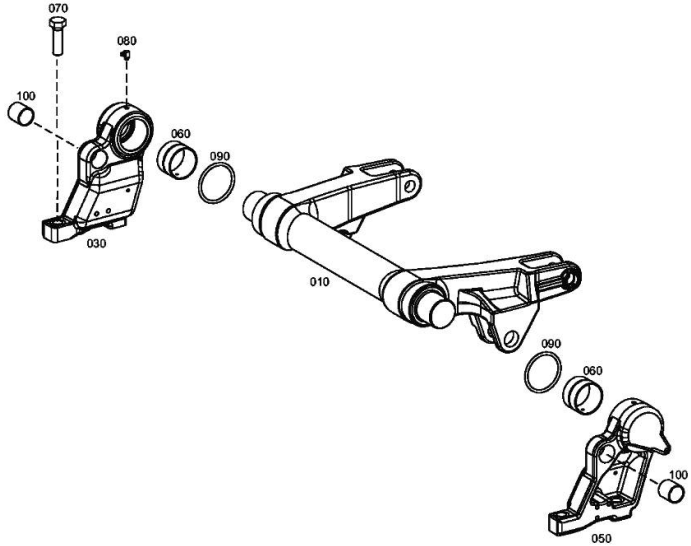


Fig.	P/n	QTY	Name
10	0.900.0824.6	1	shaft
30	0.900.0802.9	1	bearing block dx/rh/re (...) <-
30	0.900.1407.9	1	bearing block dx/rh/re > (...)
50	0.900.0803.0	1	bearing block sx/lh/li (...) <-
50	0.900.1408.0	1	bearing block sx/lh/li > (...)
60	04417549	2	special bushing
70	0.900.0469.1	4	screw m 20x65
80	04427636	2	grease gun m 8 p.1 x 8
90	04417552	2	ring 78.5x6
100	0.010.3844.1	2	bearing (...) <-
100	0.900.1431.3	2	bearing > (...)

FRONT TRANSMISSION - 2095 009 057

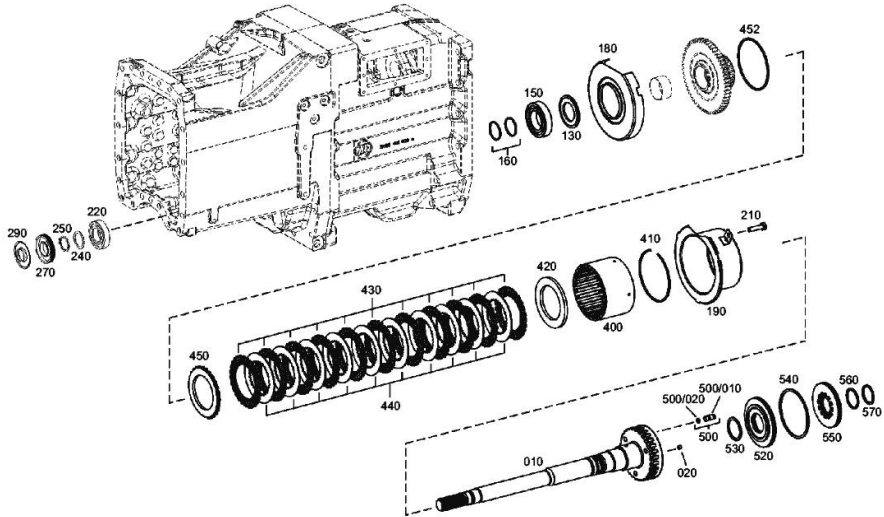
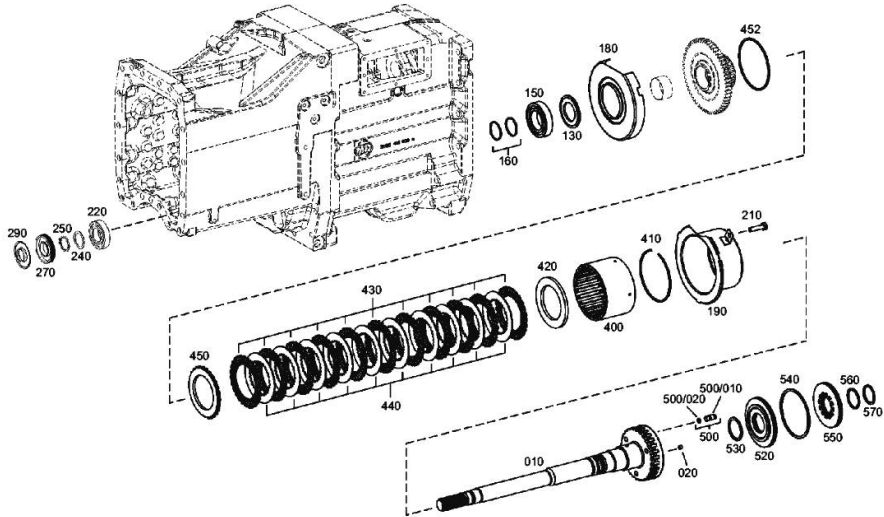


Fig.	P/n	QTY	Name
10	0.010.3440.0	1	secondary shaft Z = 24
20	04416947	1	grub screw m 8x8
130	04416402	1	shim
150	0.900.0498.5	1	ball bearing
160	04416404	2	ring 48x2.5
180	04416405	1	division
190	04416406	1	division
210	04434553	1	screw m 10 x 40
220	04436319	1	ball bearing
240	0.000.0000.1	1	cannot be supplied
240	0.010.3368.1	1	washer mm 2.20
240	0.010.3368.2	1	washer mm 2.40
240	0.010.3392.0	1	washer mm 1.10
240	0.010.3392.1	1	shim mm 1.20
240	0.010.3392.2	1	washer mm 1.30
240	0.010.3393.0	1	washer mm 1.40
240	0.010.3393.1	1	washer mm 1.50
240	0.010.3393.2	1	washer mm 1.60
240	0.010.3394.0	1	washer mm 1.70
240	0.010.3394.1	1	washer mm 1.80
240	0.010.3394.2	1	washer mm 2.00
240	04416581	1	shim mm 1.90
240	04416582	1	shim mm 2.10
240	04416583	1	shim mm 2.30
240	04416584	1	shim mm 2.50
240	04416585	1	shim mm 2.70
240	04416586	1	shim mm 2.90
240	04416587	1	shim mm 3.10
250	01273026	1	circlip 35x2.5
270	04416409	1	ring
290	04416410	1	plate
400	04416605	1	plate carrier z=27
410	0.900.0985.1	1	circlip -> (...)
410	04415928	1	ring (...)<-
420	0.000.0000.1	1	cannot be supplied
420	0.010.2875.2	1	shim mm 7.3
420	04416588	1	shim mm 5.5
420	04416589	1	shim mm 5.7
420	04416590	1	shim mm 5.9
420	04416591	1	shim mm 6.1
420	04416592	1	shim mm 6.3
420	04416593	1	shim mm 6.5

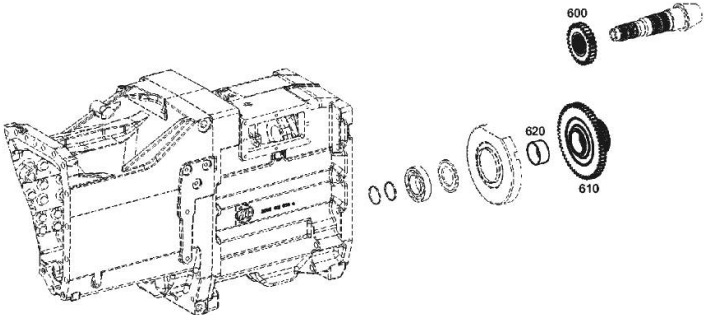
FRONT TRANSMISSION - 2095 009 057

Fig.	P/n	QTY	Name
420	04416594	1	shim mm 6.7
420	04416595	1	shim mm 6.9
420	04416596	1	shim mm 7.1
420	04416597	1	shim mm 7.5
420	04416599	1	shim mm 7.7
420	04416600	1	shim mm 7.9
420	04416601	1	shim mm 8.1
420	04416602	1	shim mm 8.3
420	04416603	1	shim mm 8.5
420	04416604	1	shim mm 8.7
430	04416412	11	disc
440	04416413	10	disc mm 2.0
450	04416414	1	washer
452	04415933	1	circlip mm 2.5
500	0.010.3437.2	3	pin
500.10	04416415	1	pin
500.20	04416416	1	oil seal 7x2.5
520	04423292	1	piston
530	04416418	1	ring
540	04331370	1	ring
550	04416419	1	spring x4
560	04416420	1	shoulder ring
570	0.010.2863.2	1	circlip 45x2.5



FRONT TRANSMISSION - 2095 009 057

Fig.	P/n	QTY	Name
600	04423288	1	gear Z = 29
610	04423290	1	gear wheel Z = 57
620	0.010.3340.1	1	bush



Thank you so much for reading.
Please click the “Buy Now!”
button below to download the
complete manual.



After you pay.

You can download the most
perfect and complete manual in
the world immediately.

Our support email:

ebooklibonline@outlook.com