

SERVICE BRAKES - 2092 065 007

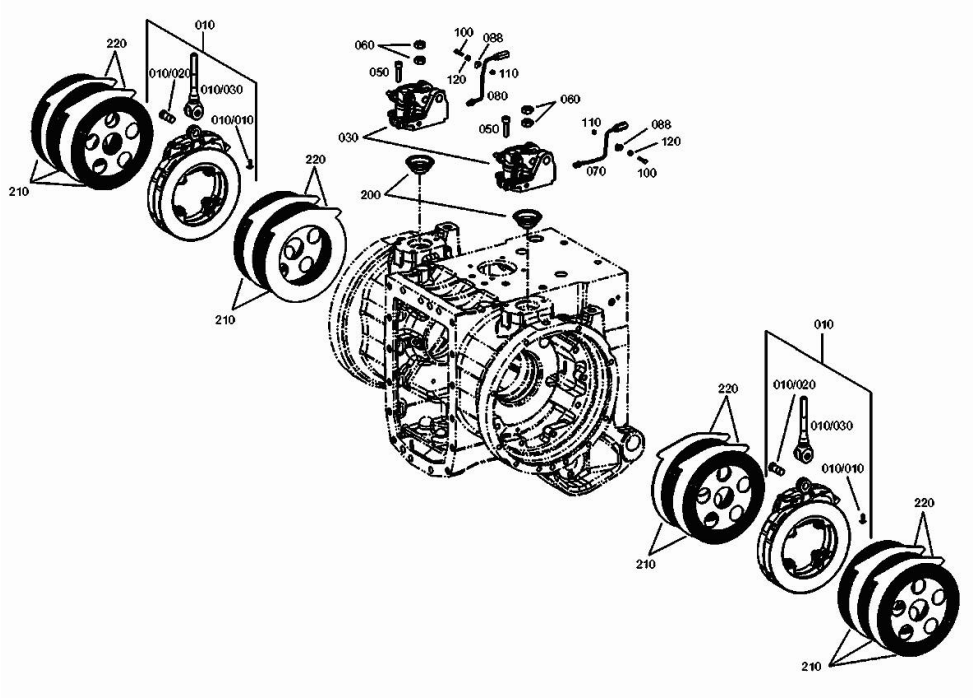
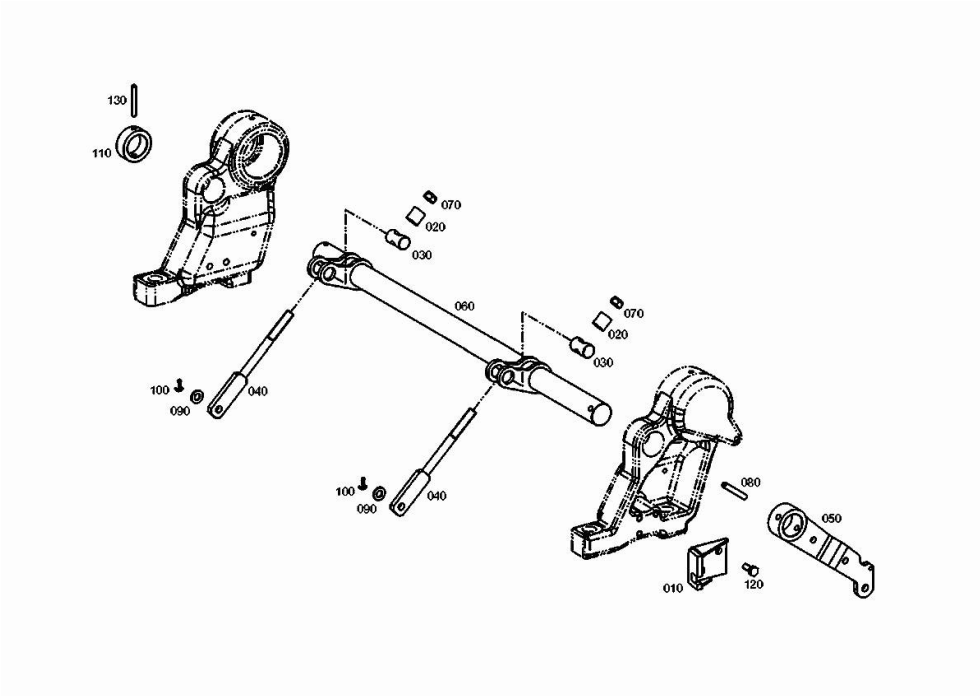


Fig.	P/n	QTY	Name
10	0.900.1583.9	2	transmission brake
10.10	04435741	1	split pin
10.20	04435740	1	pin
10.30	04428551	1	rod
30	0.900.1584.0	2	operation
50	0.900.0469.7	6	screw m 10 x 40
60	04434557	4	nut m 14 p.1.5
70	04428558	1	tube sx/lb/li
80	04428559	1	tube dx/rh/re
88	0.900.0468.2	2	clamp 6x12
100	0.900.0280.1	2	screw m 5 x 25
110	0.900.0470.2	2	nut m 5
120	0.900.0281.6	2	nut
200	0.900.0800.9	2	rubber bushing
210	0.900.1584.6	10	disc
220	0.900.0801.3	8	disc

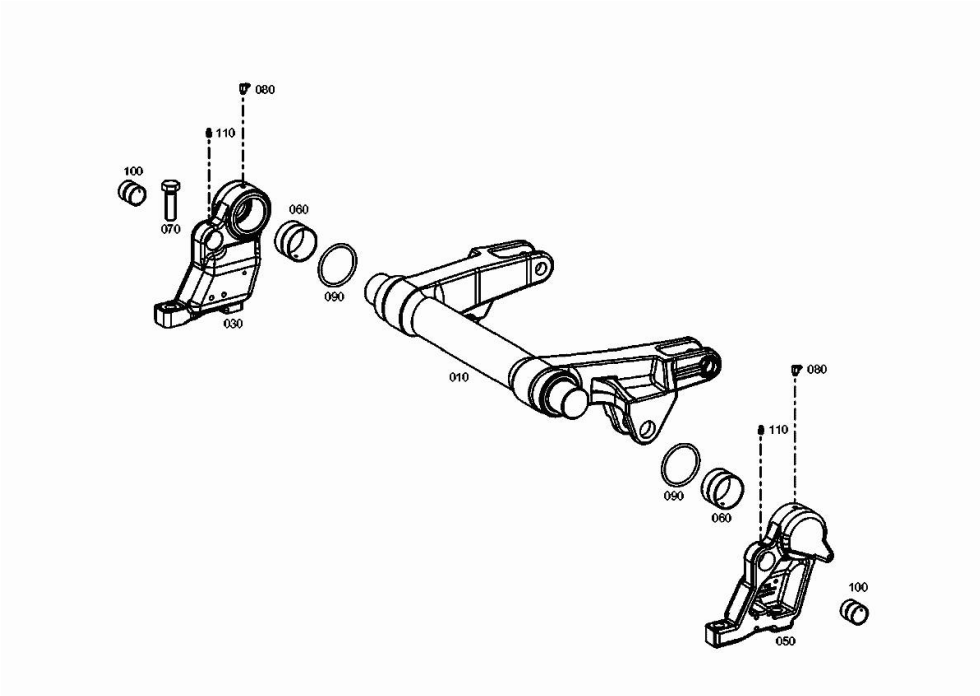
BRAKE CONTROLS - 2092 065 007

Fig.	P/n	QTY	Name
10	0.900.1239.7	1	bracket
20	0.900.1239.8	2	tube
30	0.900.1239.9	2	pin
40	0.900.1408.4	2	rod
50	0.900.1240.1	1	lever
60	0.900.1408.5	1	shaft
70	0.900.0281.9	2	nut m 12
80	0.010.3459.1	1	roll pin
90	0.900.0466.9	2	washer
100	0.900.0468.1	2	split pin 3.2x18
110	0.900.1240.3	1	spacer
120	0.900.0469.4	3	screw m 8 p.1.25 x 20
130	0.010.2901.1	1	pin 6x50



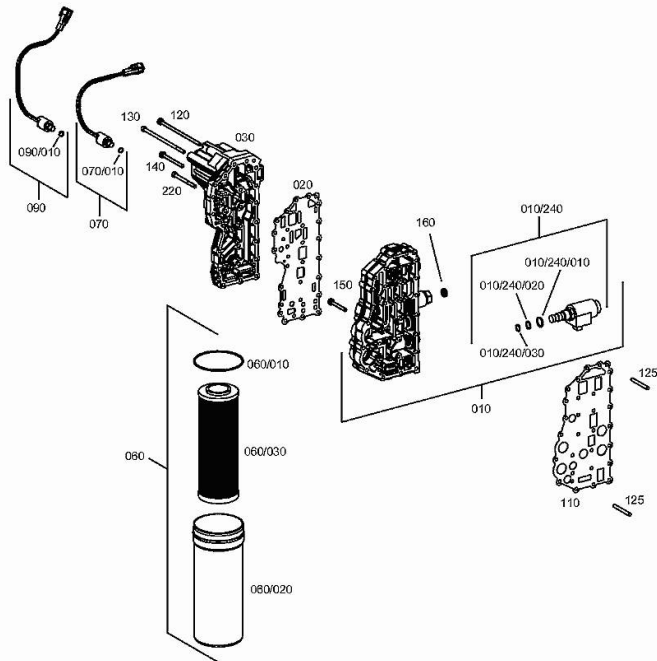
LIFTING - 2092 065 007

Fig.	P/n	QTY	Name
10	0.900.0824.6	1	shaft
30	0.900.1407.9	1	bearing block dx/rh/re
50	0.900.1408.0	1	bearing block sx/lh/li
60	04417549	2	special bushing
70	0.900.0469.1	4	screw m 20x65
80	0.900.0498.6	2	grease gun
90	04417552	2	ring 78.5x6
100	0.900.1431.3	2	bearing
110	0.010.2922.2	2	grease gun m 8 p.1 x 8



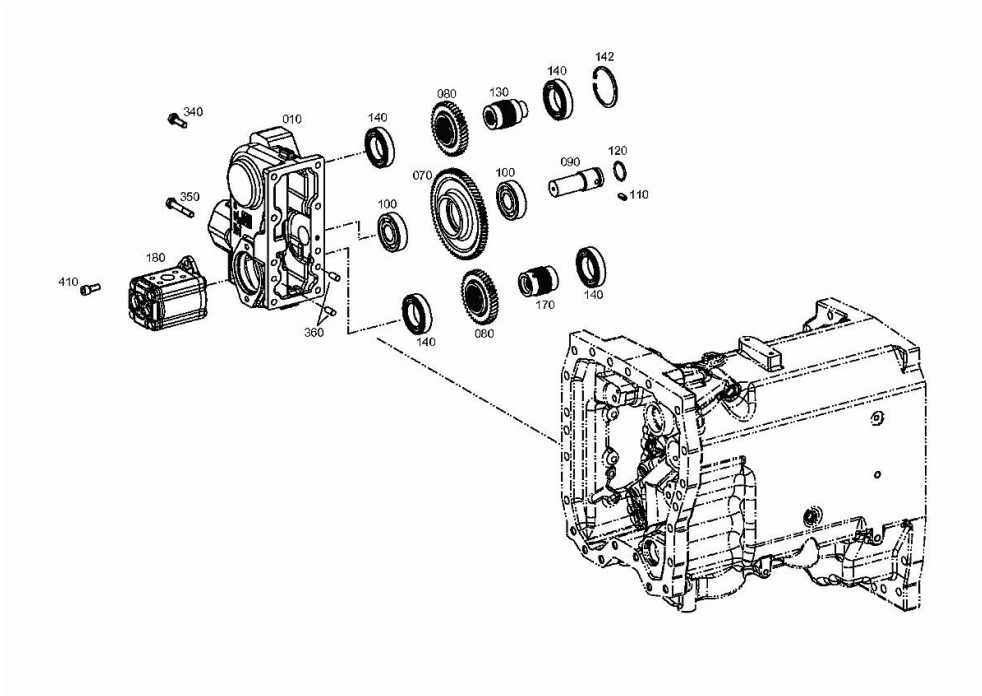
DRIVE - 2092 065 004

Fig.	P/n	QTY	Name
10	0.900.0981.2	1	control
10.240	04431661	1	solenoid valve
10.240.10	04417841	1	ring 16.36x2.21
10.240.20	04417842	1	oil seal 12x2
10.240.30	04417843	1	ring 10.82x1.78
20	0.900.0500.7	1	gasket
30	0.900.0981.6	1	plate
60	0.900.1586.8	1	filter
60.10	0.010.3295.1	1	oil seal 94.92 x 2.62
60.20	0.900.1584.2	1	box
60.30	0.900.1583.7	1	filter
70	04416706	1	pressure switch
70.10	04415683	1	oil seal 8x1.5
90	0.010.3720.1	1	switch
90.10	04415683	1	oil seal 8x1.5
110	0.900.0466.6	1	gasket
120	0.010.3296.2	2	screw m 6x140
125	0.900.0971.1	2	pin h8x55
130	0.900.0980.4	2	screw 10.9
140	0.010.3298.0	17	screw m 6 x 70
150	0.010.3298.1	3	screw m 6 x 50
160	0.900.1586.6	1	cover
220	0.900.0971.6	4	screw m 6 x 70



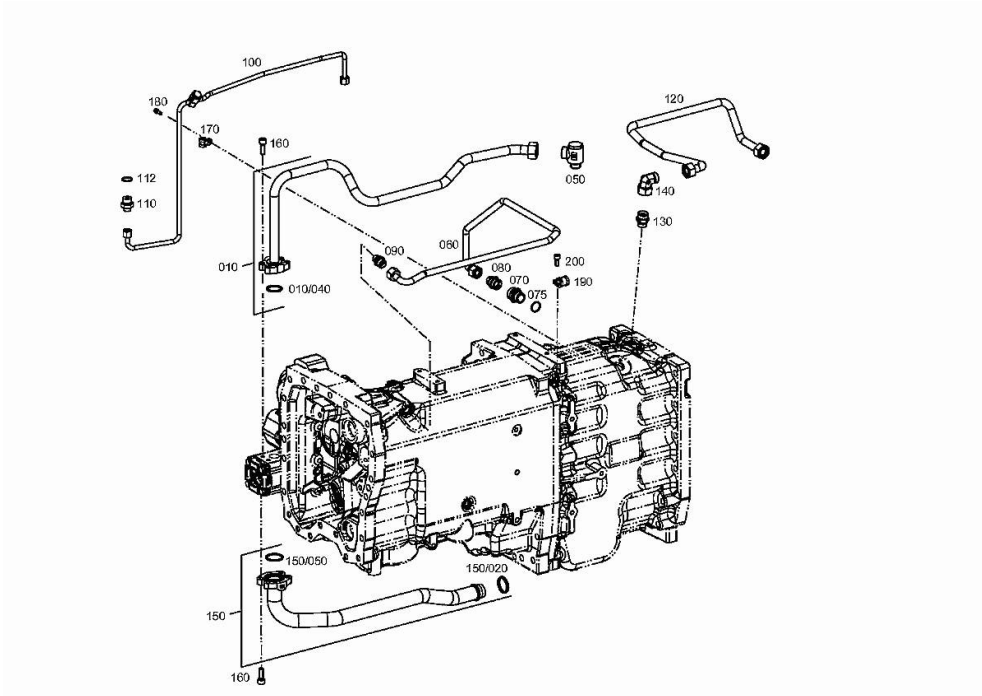
PUMP DRIVE - 2092 065 004

Fig.	P/n	QTY	Name
10	0.900.1587.7	1	pump casing
70	0.900.1589.2	1	gear wheel
80	0.900.0884.7	2	gear z=39
90	0.900.1589.1	1	shaft
100	0.900.1586.7	2	ball bearing
110	0.900.1224.7	1	pin 8x20
120	0.900.1585.2	1	ring 31x3
130	0.900.0488.6	1	bush z=38
140	0.010.2877.0	4	ball bearing
142	0.010.2618.0	1	circlip 75x2.5
170	0.900.1589.8	1	bush
180	0.900.1584.5	1	pump
340	04434540	6	screw m 10 x 35
350	0.900.1585.3	2	screw m10x65
360	04328555	2	cylindrical plug 10 m 6x20
410	0.900.1585.4	2	screw m10x25



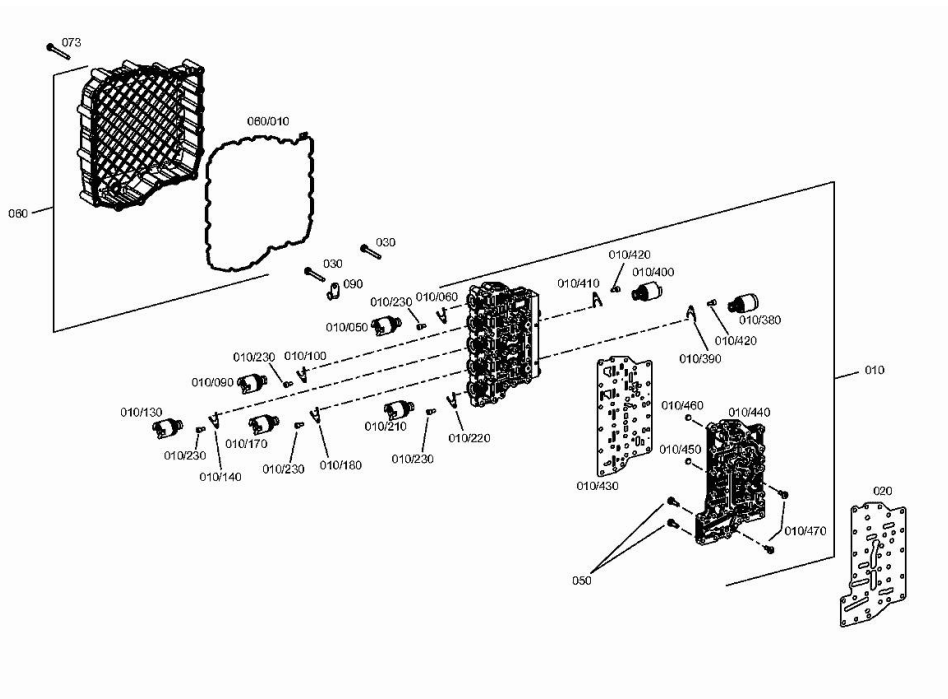
OIL SUPPLY - 2092 065 004

Fig.	P/n	QTY	Name
10	0.900.1587.2	1	tube
10.40	0.900.1585.1	1	ring 32.5x3.55
50	0.900.1585.7	1	threaded joint
60	0.900.1587.3	1	tube
70	0.900.1585.8	1	pipe union
75	04436328	1	oil seal 23x2
80	0.900.1585.9	1	reduction unit
90	0.900.1586.0	1	pipe union
100	0.900.1587.4	1	tube
110	0.900.1586.2	1	pipe union
112	04415962	1	oil seal 19x2
120	0.900.1587.5	1	tube
130	0.900.1585.6	1	pipe union
140	0.900.1586.1	1	joint
150	0.900.1587.0	1	tube
150.20	0.900.1584.9	1	ring 34x5.5
150.50	0.900.1585.0	1	ring 37.70x3.55
160	0.900.1585.5	8	screw m10x30
170	0.900.1584.8	1	clamp
180	0.900.0971.5	1	screw m 6x18
190	0.900.1584.7	1	clamp
200	0.900.1242.0	1	screw m8x20



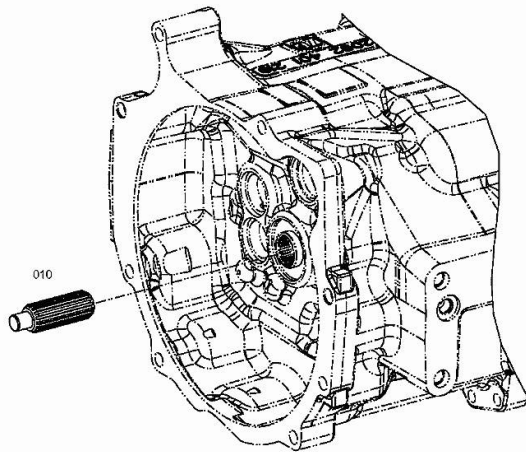
HYDR. CONTROL - 2092 065 004

Fig.	P/n	QTY	Name
10	0.900.1587.6	1	hydr. control
10.50	04416685	1	solenoid valve
10.60	04434332	1	plate
10.90	04416685	1	solenoid valve
10.100	04416677	1	stop
10.130	04416685	1	solenoid valve
10.140	04416677	1	stop
10.170	04416685	1	solenoid valve
10.180	04416677	1	stop
10.210	04416685	1	solenoid valve
10.220	04416677	1	stop
10.230	04434505	5	screw m 5x10
10.380	0.010.3299.1	1	solenoid valve
10.390	04434332	1	plate
10.400	0.010.3299.1	1	solenoid valve
10.410	04434332	1	plate
10.420	04434505	2	screw m 5x10
10.430	0.900.1584.1	1	gasket
10.440	0.900.1587.8	1	plate
10.450	0.010.3299.2	1	small mesh
10.460	0.010.3299.2	1	small mesh
10.470	0.010.3301.2	2	screw m 6 x 15
20	0.010.3300.2	1	gasket
30	0.010.3298.1	29	screw m 6 x 50
50	0.010.3301.1	2	screw m 6 x 20
60	0.900.0302.5	1	cap
60.10	0.900.0302.6	1	gasket
73	0.010.3755.1	11	screw m 6 x 60
90	0.010.3774.0	1	clamp



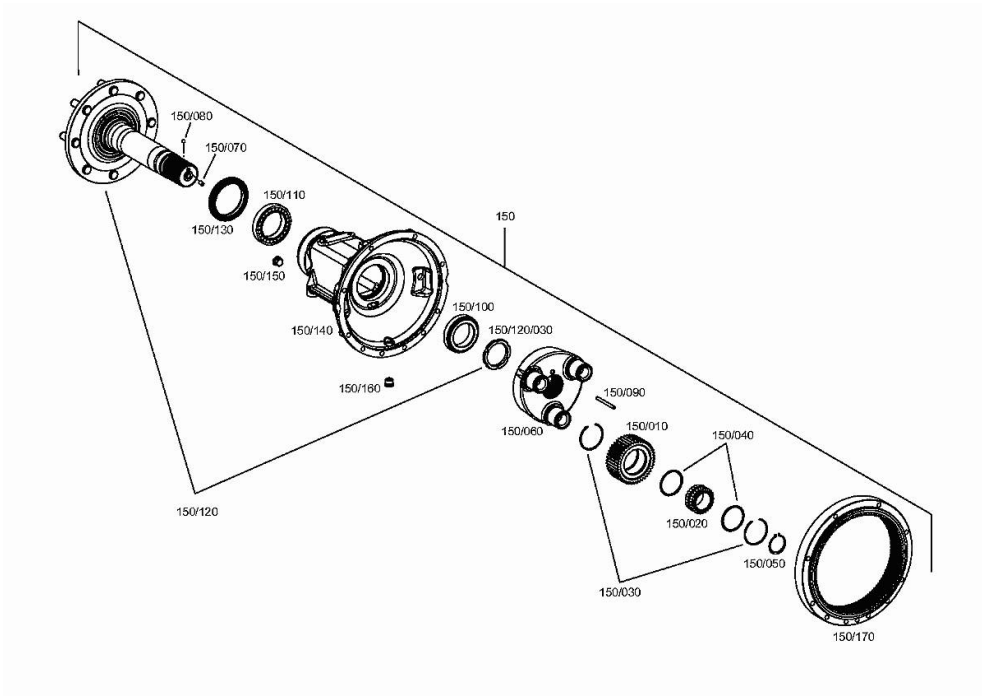
DRIVE SHAFT - 2092 065 004

Fig.	P/n	QTY	Name
10	0.010.3291.1	1	shaft



REAR AXLE - 2092 065 004

Fig.	P/n	QTY	Name
150	0.900.1588.0	2	support
150.10	0.900.1588.5	3	planet gear z=44
150.20	0.900.0282.8	3	roller bearing
150.30	0.900.0278.1	6	circlip
150.40	0.900.0282.6	6	slewing ring 72x80.8x1
150.50	0.900.0289.5	3	circlip 55x2
150.60	0.900.0956.9	1	spider
150.70	0.010.3588.2	1	grub screw m 10x16
150.80	04417322	1	ball
150.90	0.900.0278.3	1	roll pin 8x90
150.100	0.900.0283.0	1	roller bearing
150.110	0.900.0953.7	1	roller bearing
150.120	0.900.1588.1	1	shaft z=33
150.120.30	0.900.1586.3	1	ring nut
150.130	0.010.3643.0	1	ring
150.140	0.900.0957.5	1	support
150.150	0.900.0001.8	2	plug
150.160	0.010.3849.0	1	plug
150.170	0.900.1365.3	1	crown wheel Z = 105



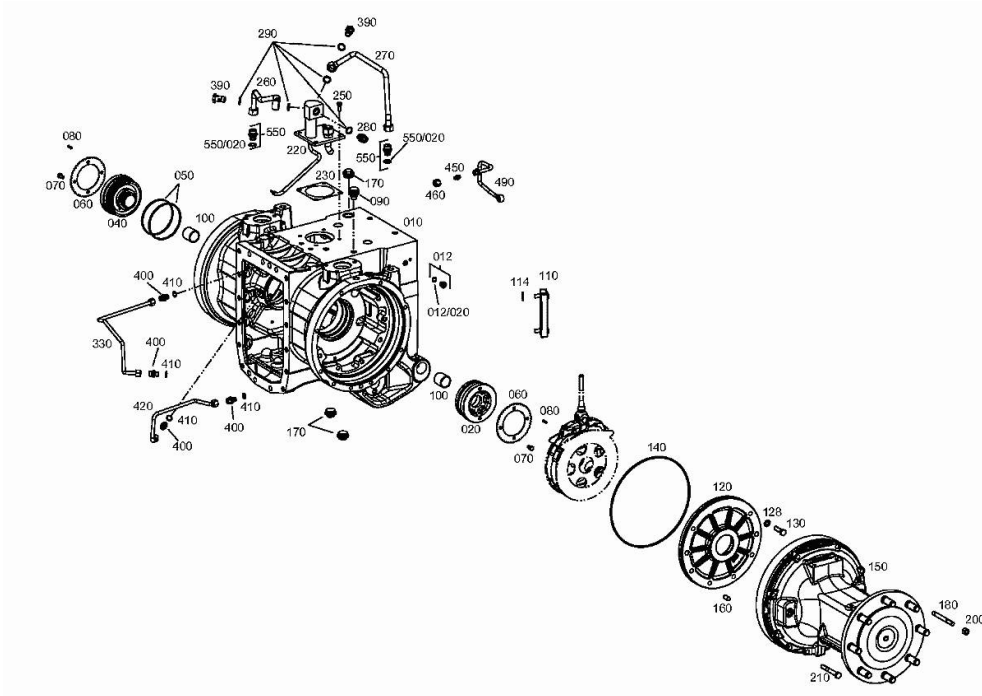
IRON 115 DCR 4V CONTINUO

Section: D0 - TRANSMISSION

Ref: 0.017.9765.4/30

GEARBOX - 2092 065 004

Fig.	P/n	QTY	Name
10	0.900.1589.9	1	box
12	04434494	2	screw
12.20	0.010.2627.1	1	oil seal 11x2
20	04428944	1	register
40	04428945	1	register
50	0.900.0278.7	2	ring
60	04417449	2	plate
70	04435695	4	screw m 8 x 16
80	04435703	2	pin 5 x 20
90	04417453	1	plug
100	04417451	2	bushing
110	0.900.1583.8	1	level indicator
114	04423732	2	rubber plug
120	0.900.1589.0	2	transmission brake
128	0.900.0277.9	4	washer
130	0.900.0279.7	16	screw m 12 x 40
140	04428220	2	oil seal 305x4
150	0.900.1588.0	2	support
160	0.900.0278.2	2	pin 12 x 24
170	0.010.3849.1	3	plug
180	04423326	4	screw
200	0.900.0281.4	4	nut m 12
210	04428019	16	screw
220	0.900.0287.4	1	tube
230	0.010.2897.1	1	gasket
250	0.010.2874.0	4	screw m 8 x 22
260	0.900.0287.5	1	tube
270	0.900.0287.6	1	tube
280	0.900.0282.3	1	pipe union
290	0.900.0985.0	5	oil seal 18 x 24
330	04428942	1	tube
390	0.900.0282.0	2	screw
400	04417466	4	pipe fitting
410	04423731	5	oil seal 14 x 18
420	04417478	1	tube
450	0.010.3101.1	1	plug
460	04417788	1	nut
490	0.900.0490.8	1	tube
550	0.900.1392.0	2	pipe fitting
550.20	0.900.1239.4	1	oil seal 15.3x2.4



Thank you so much for reading.
Please click the “Buy Now!”
button below to download the
complete manual.



After you pay.

You can download the most
perfect and complete manual in
the world immediately.

Our support email:

ebooklibonline@outlook.com