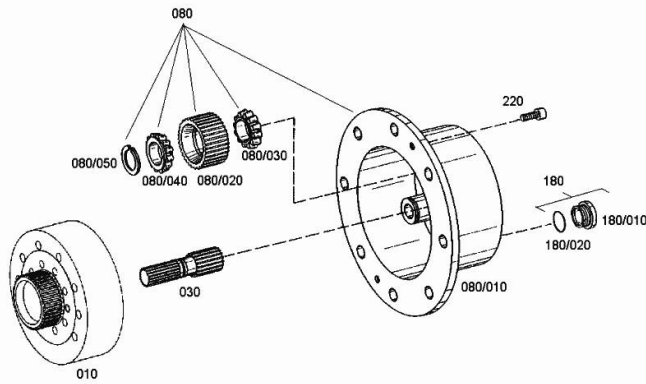


Section: FRONT AXLE
PLANETARY GEAR ZF

Fig.	P/n	QTY	Name
------	-----	-----	------

Notes:
 [IRON 130 S]

10	04417260	2	bearing z = 80
30	04439039	2	shaft Z = 16
80	0.900.0052.9	2	carrier
80.10	0.900.0002.8	2	carrier
80.20	04428567	6	crown wheel Z = 30
80.30	04428500	6	bearing
80.40	04428501	6	bearing
80.50	04417259	6	circlip
180	0.000.0000.1	2	cannot be supplied
180.10	0.010.2921.2	2	plug m 36 p.1.5
180.20	0.010.3352.0	2	oil seal 33x2.2
220	0.010.2936.2	4	screw m 10 x 20

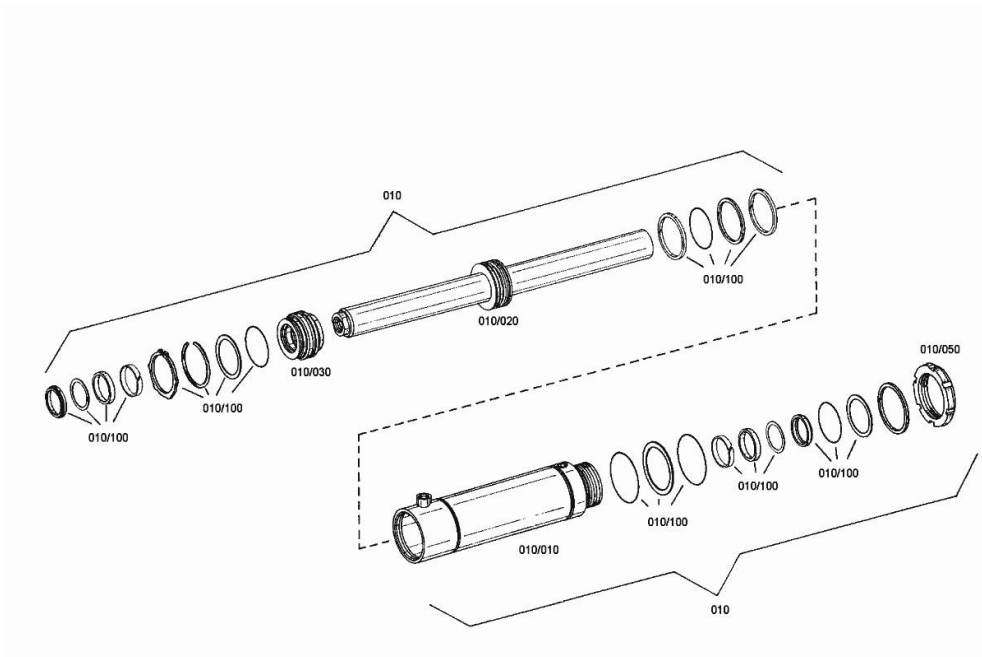


Section: FRONT AXLE
STEERING CYLINDER ZF

Fig.	P/n	QTY	Name
------	-----	-----	------

Notes:
 [IRON 130 S]

10	04415059.4	1	cylinder
10.10	04415968	1	engine cylinder
10.20	04415969	1	piston
10.30	04415674	1	bushing
10.50	0.010.3094.0	1	nut
10.100	04415677	1	seal ring kit

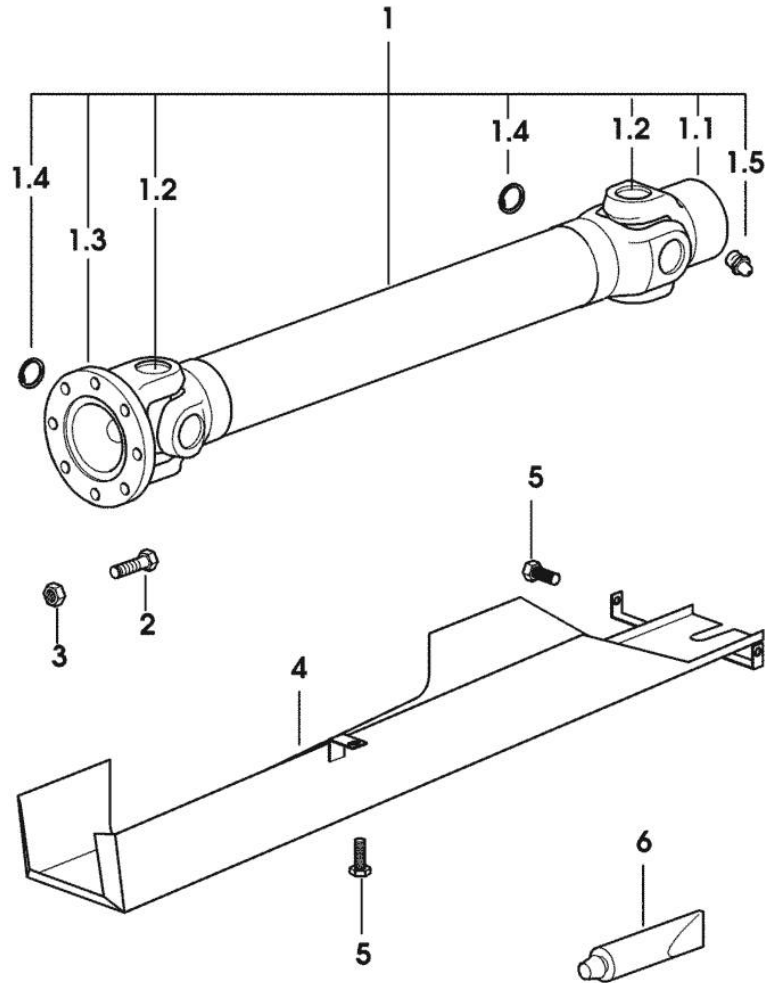


PROPELLER SHAFT - WITHOUT FRONT SUSPENSION

Fig.	P/n	QTY	Name
------	-----	-----	------

Notes:
[IRON 130 S]

1	04411491.4	1	axle shaft
1.1	04416464	1	shaft
1.2	04416465	2	universal joint - KIT
1.3	04416466	1	flange
1.4	01107821	8	circlip 35x1,5 d472
1.5	01168224	1	grease gun m 6
2	02326053	8	screw m 10 x 25
3	01136456	8	nut m 10
4	04411274.4	1	small guard
5	01139692	4	screw m 10 x 20
6	01016130		sealing compound AS 450



9_A3626_00_0_0

PROPELLER SHAFT - WITH FRONT SUSPENSION

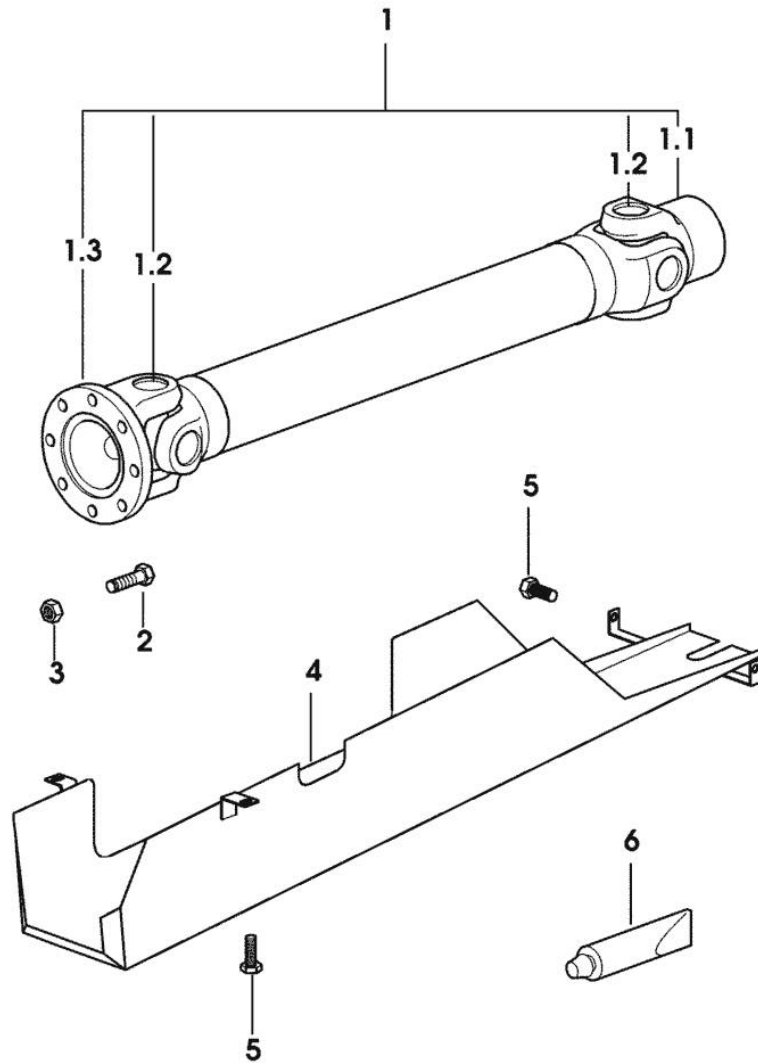


Fig.	P/n	QTY	Name
------	-----	-----	------

Notes:
[IRON 130 S]

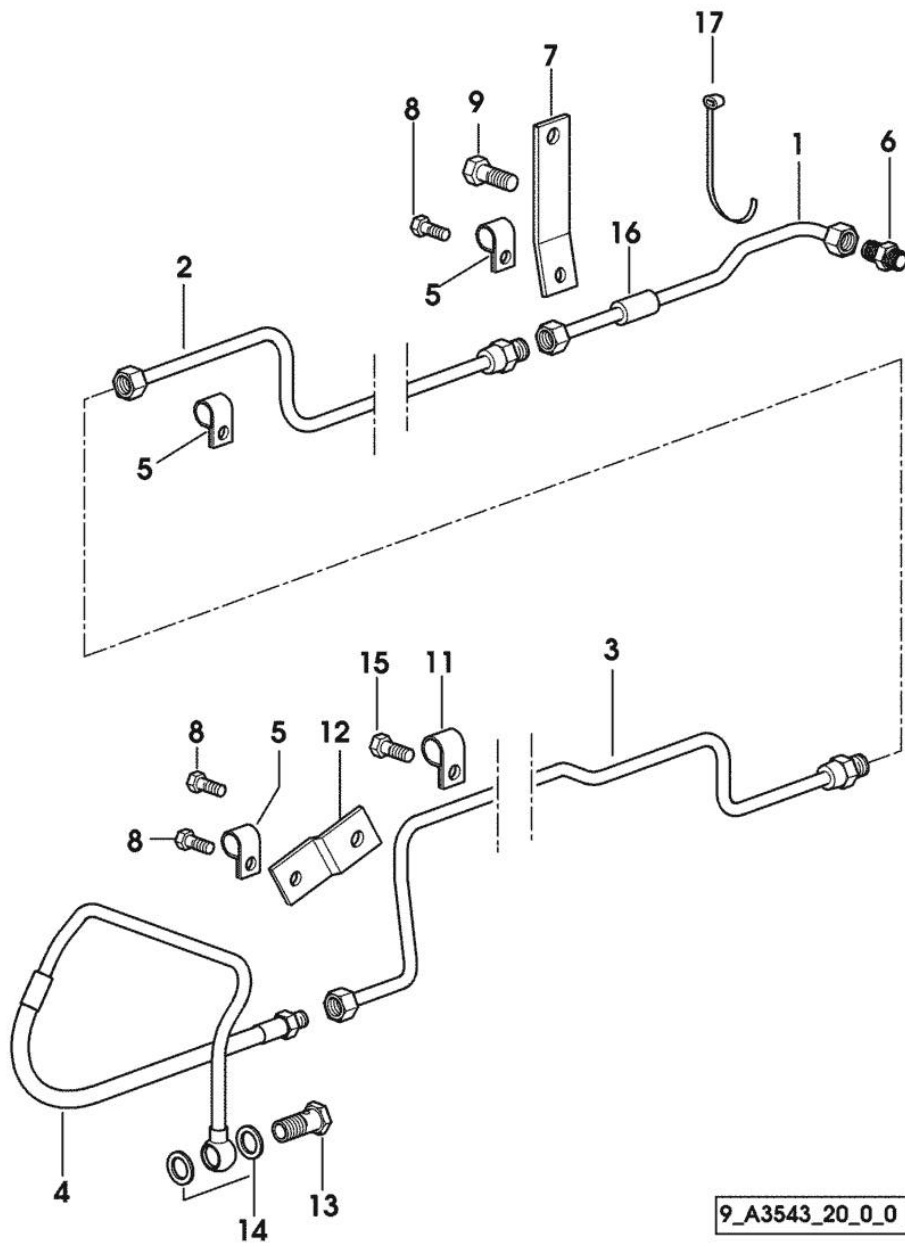
1	04419899.4	1	transmission shaft
1.1	04423196	1	shaft
1.2	04423195	2	universal joint
1.3	04423194	1	flange
2	02326053	8	screw m 10 x 25
3	01136456	8	nut m 10
4	04419897.4	1	small guard
5	01139692	4	screw m 10 x 20
6	01016130		sealing compound AS 450

Section: FRONT AXLE
DIFFERENTIAL LOCK

Fig.	P/n	QTY	Name
------	-----	-----	------

Notes:
 [IRON 130 S]

1	04437550	1	tube
2	04450534/20	1	pipng
3	04450494	1	pipng
4	04437726	1	tube
5	01212670	3	fascia B10X15
6	01179243	1	pipe fitting M 14X1.5X10
7	04451802	1	support
8	01112264	3	screw m 6 x 20, d933
9	01143047	1	screw m 10 x 35
11	01220008	1	fascia B10X20
12	04422758.4	1	bracket
13	01119246	1	pipe union H 3102 -D10 M
14	01171517	2	oil seal 14.7x22x1.5
15	01129110	1	screw m 8 p.1.25 x 20
16	01175701	3	rubber sleeve G12X19X25
17	01172065	3	clamp 4.6 x 146

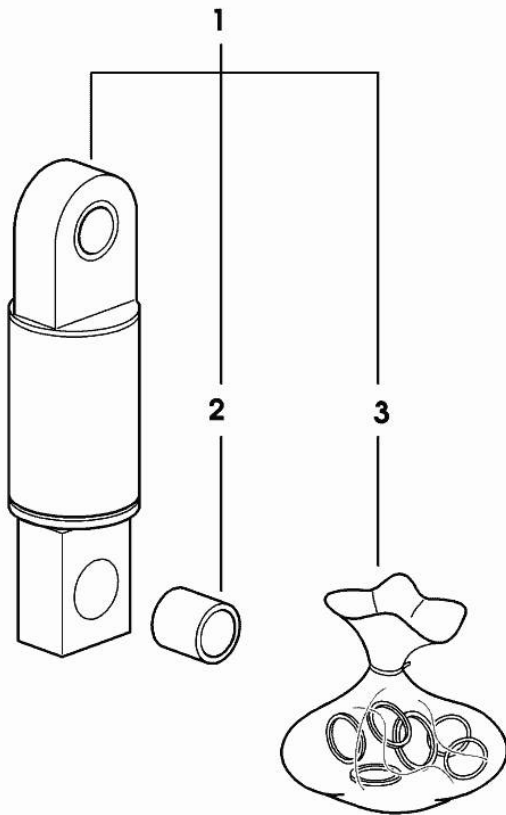


9_A3543_20_0_0

Section: FRONT AXLE

CYLINDER PARTS OGNIBENE

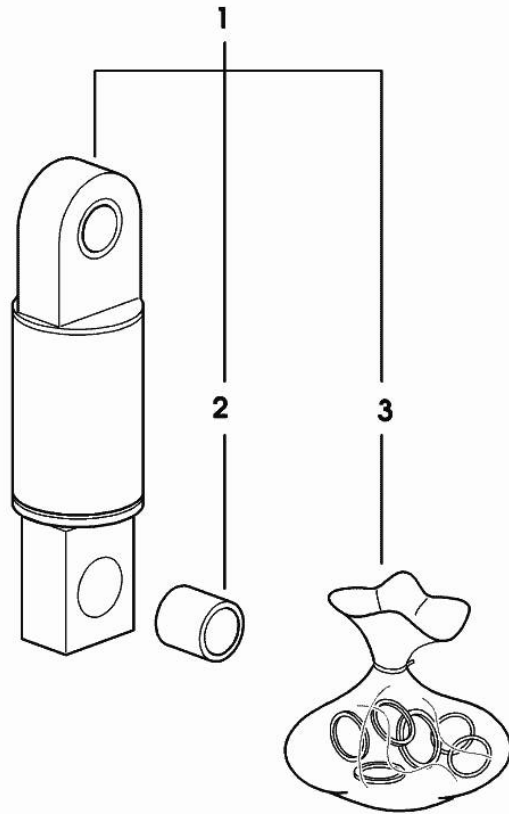
Fig.	P/n	QTY	Name
1	0.013.9104.4	1	cylinder sx/lh/li
2	0.900.0038.2	2	bush
3	0.900.0038.1	1	gasket set



0_013_9104_4

CYLINDER PARTS OGNIBENE

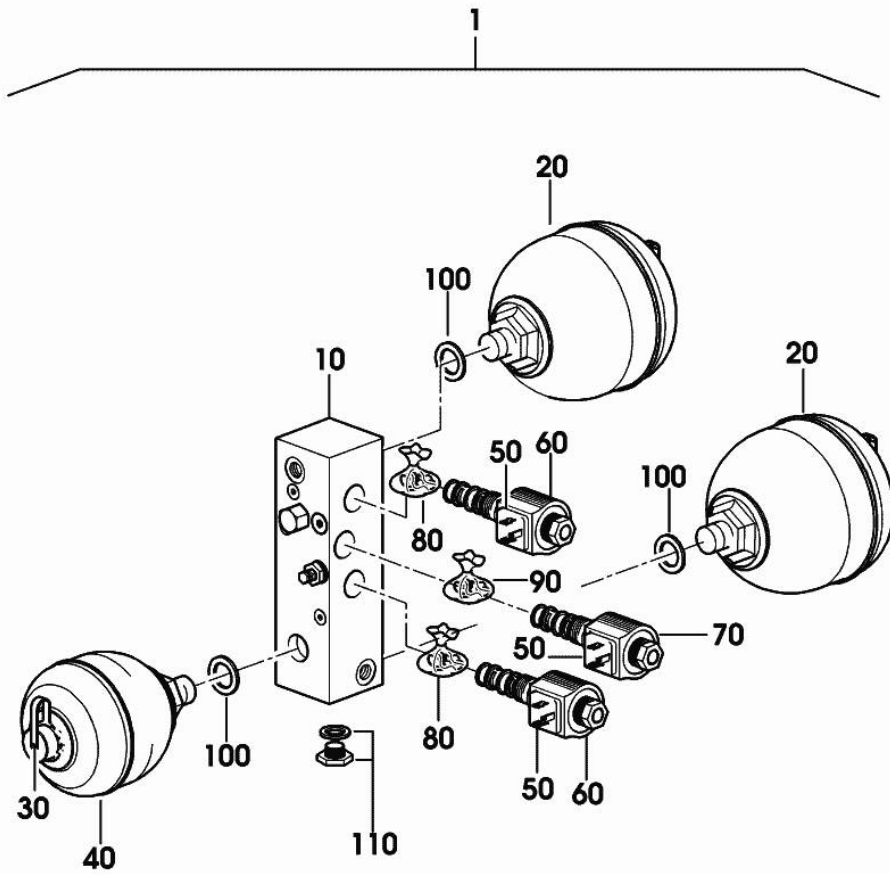
Fig.	P/n	QTY	Name
1	0.013.9105.4	1	cylinder dx/rh/re
2	0.900.0038.2	2	bush
3	0.900.0038.1	1	gasket set



0_013_9105_4

ACCUMULATOR COMPONENTS

Fig.	P/n	QTY	Name
1	04450418	1	valve
20	0.010.3227.2	2	accumulator
30	04439556	1	small guard
40	0.010.3228.1	1	accumulator
50	04423803	3	magnet
60	04423808	2	valve
70	04423804	1	valve
80	04423807	2	gasket set
90	04423801	1	gasket set
100	04423806	3	copper gasket
110	0.010.3228.2	1	plug



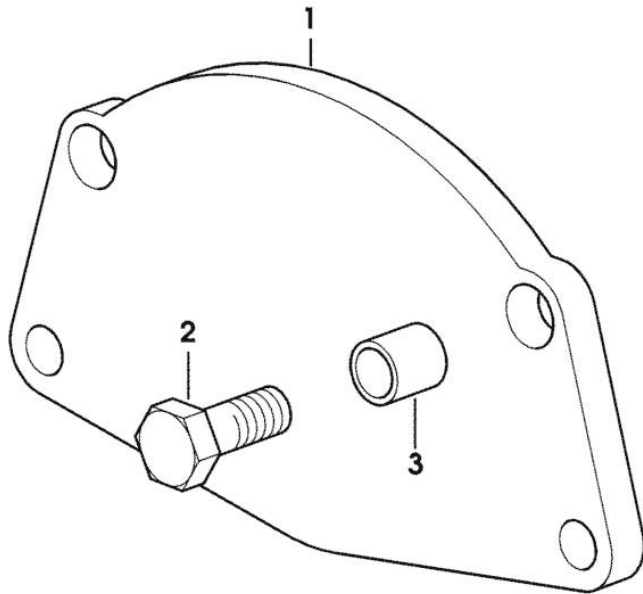
04450418

FRONT COVER WITHOUT FRONT HOOK

Fig.	P/n	QTY	Name
------	-----	-----	------

Notes:
[IRON 130 S]

1	04422634	1	plate
2	01112687	4	screw m 16 x 40
3	04388695	2	bushing 17x22x23
4	01167317	12	plug 14.5X11.5X21



9_95052_31_0_0

P.T.O. SHAFT DRIVE

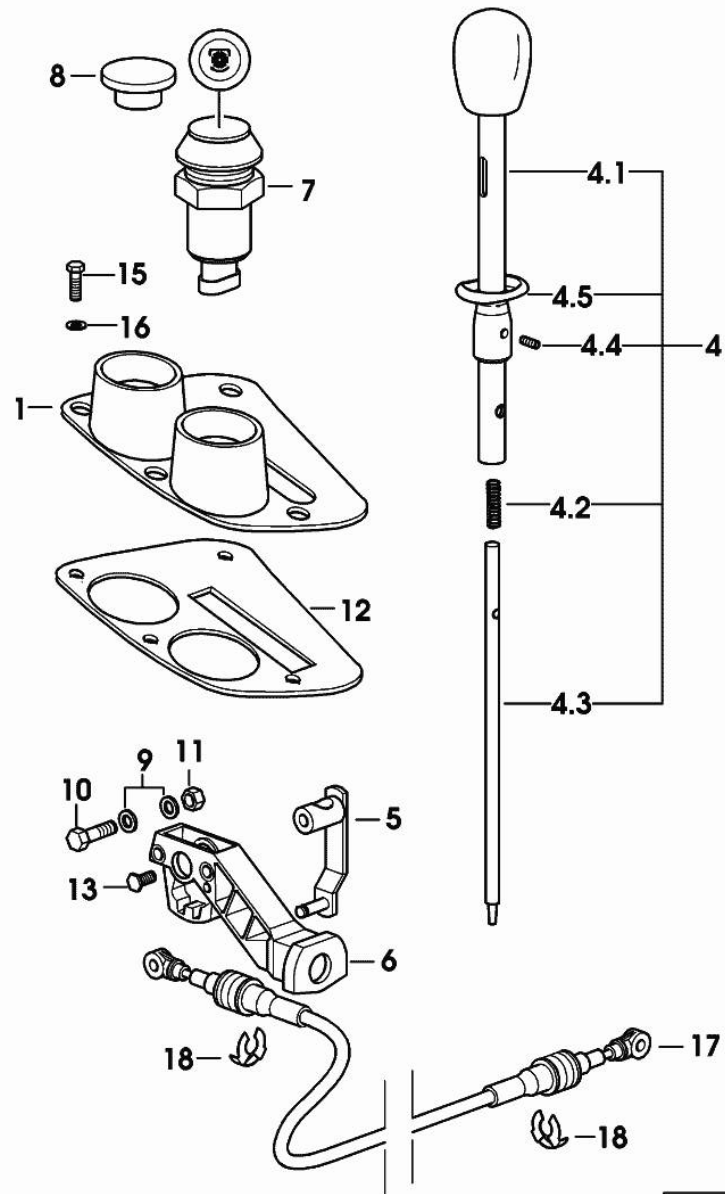


Fig.	P/n	QTY	Name
------	-----	-----	------

Notes:
[IRON 130 S]

1	04429373	1	plate
4	04452926.4	1	operation
4.1	04452924	1	lever
4.2	04426194	1	spring
4.3	04429555	1	rod
4.4	01144807	1	screw
4.5	04411645	1	coupling
5	04423032.4	1	lever
6	04425448/10	1	support
7	04411533	1	switch
8	01172220	1	bottom
9	01138374	4	washer 8,4x21x4
10	01124457	2	screw m 8 x 45
11	01136452	2	nut vm 8 d980
12	04429328.4	1	crosspiece
13	04423712	1	screw
15	04429756	4	screw
16	01139990	4	washer
17	04429751	1	rod mm 2520
18	04418159	2	circlip

9_95368_06_0_0

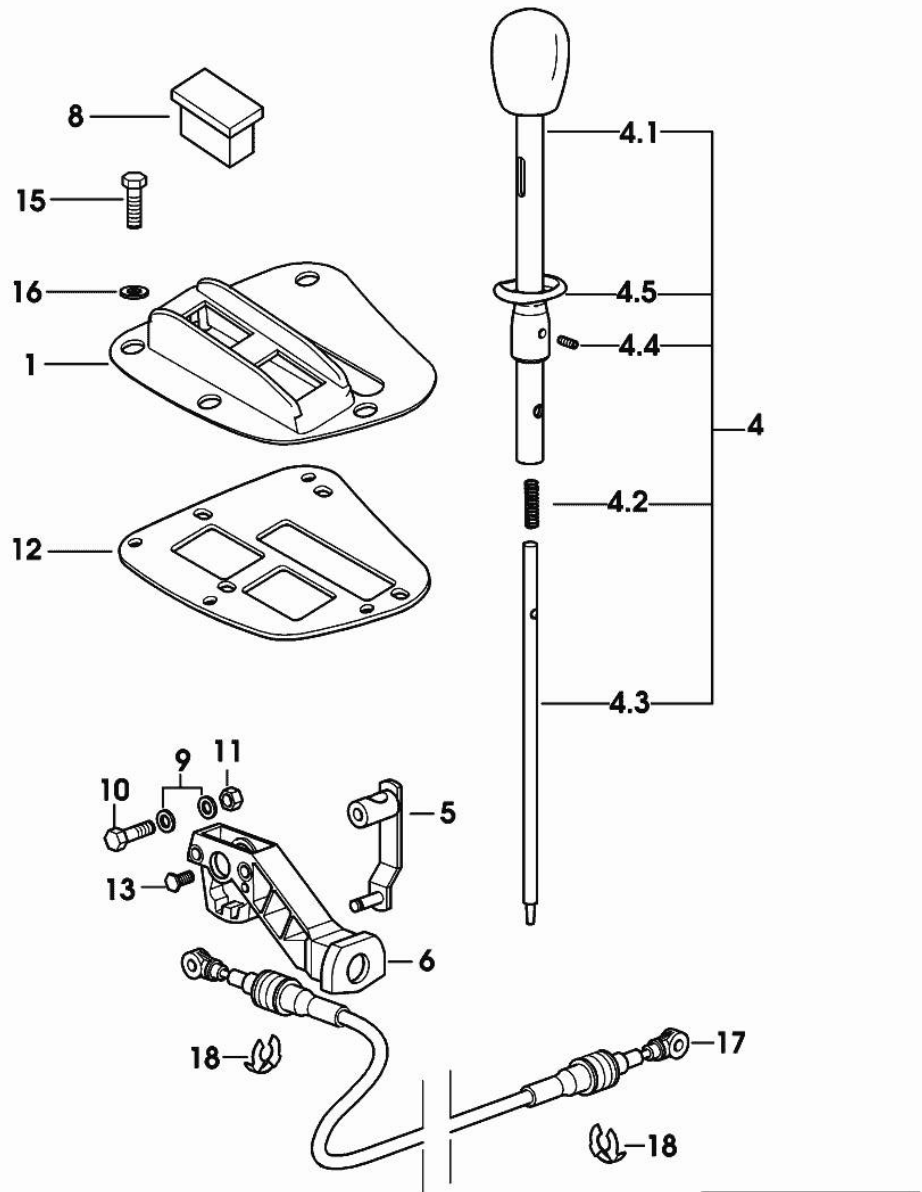
Section: FRONT AND REAR P.T.O.

P.T.O. SHAFT DRIVE EXPORT U.S.A.

Fig.	P/n	QTY	Name
------	-----	-----	------

Notes:
[IRON 130 S]

1	0.012.9467.0/10	1	cover
4	04452926.4	1	operation
4.1	04452924	1	lever
4.2	04426194	1	spring
4.3	04429555	1	rod
4.4	01144807	1	screw
4.5	04411645	1	coupling
5	04423032.4	1	lever
6	04425448/10	1	support
8	0.011.3513.0	1	plug
9	01138374	4	washer 8,4x21x4
10	01124457	2	screw m 8 x 45
11	01136452	2	nut vm 8 d980
12	0.012.9465.3	1	plate
13	04423712	1	screw
15	04429756	4	screw
16	01139990	4	washer
17	04429751	1	rod mm 2520
18	04418159	2	circlip



9_A3568_01_0_0

Thank you so much for reading.
Please click the “Buy Now!”
button below to download the
complete manual.



After you pay.

You can download the most
perfect and complete manual in
the world immediately.

Our support email:

ebooklibonline@outlook.com