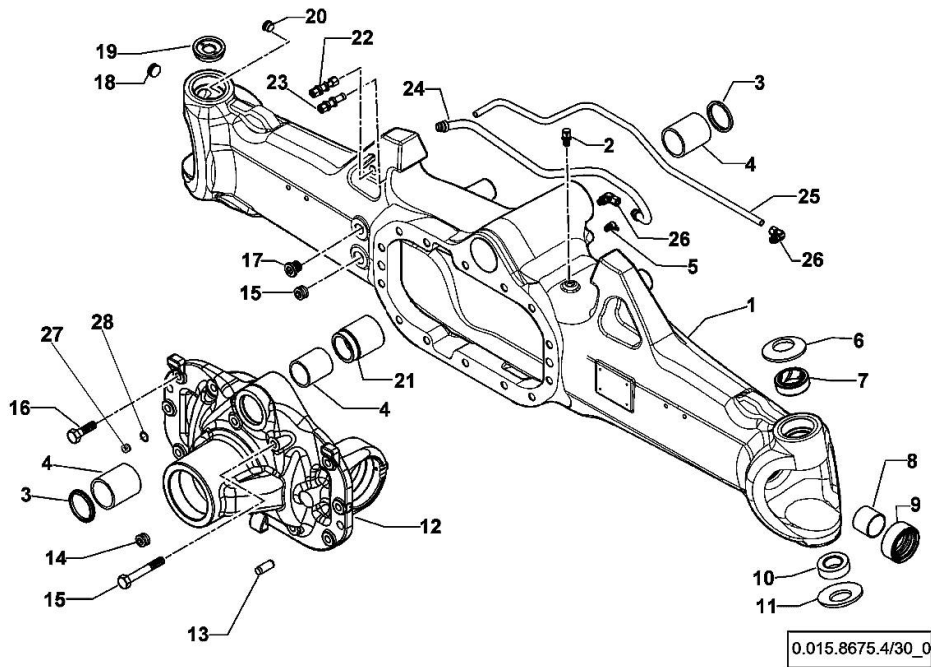


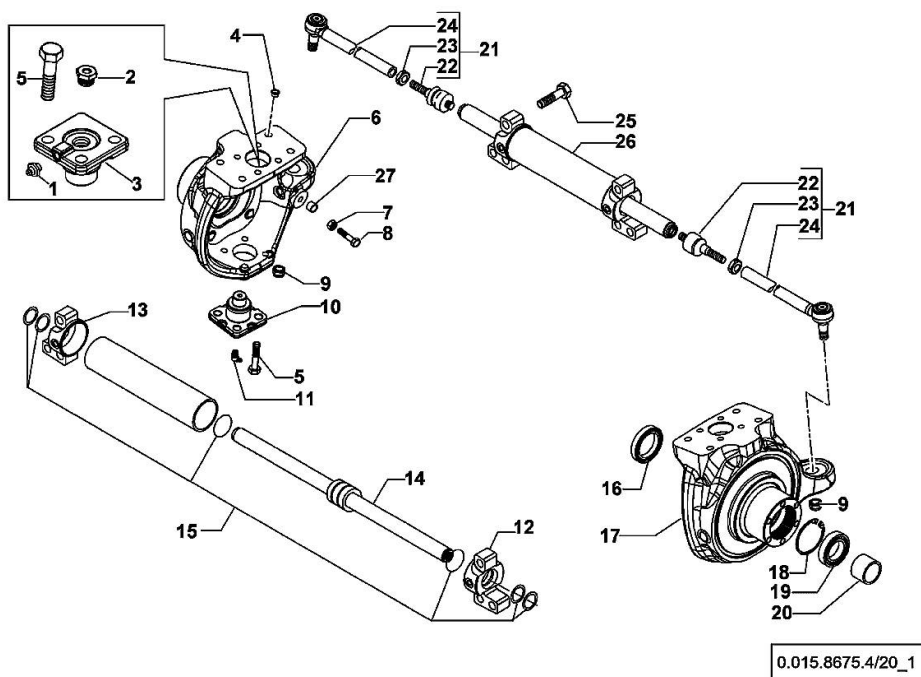
Section: F0 - FRONT AXLE
DRIVEN FRONT AXLE

Fig.	P/n	QTY	Name
1	0.900.0965.1	1	front axle
2	0.900.0079.8	1	breather m 10 p.1
3	0.900.0079.9	2	circlip
4	0.900.0080.0	3	bushing
5	0.900.0080.1	1	grease gun m 8 p.1, 45°
6	0.900.0080.2	2	spring
7	0.900.0080.3	2	bushing
8	0.900.0080.4	2	bushing
9	0.900.0912.6	2	oil seal 40x65x27,5
10	0.900.0080.6	2	bearing
11	0.900.0080.7	2	spring
12	0.900.0118.4	1	support
13	0.900.0081.0	2	pin Ø 15x45
14	0.900.0081.1	2	plug m 24 p.1.5
15	0.900.0081.2	2	screw m 14x75
16	0.900.0081.3	12	screw m14 x 40
17	0.900.0105.5	1	bottom
18	0.900.0081.6	1	plug m 26 p.1.5
19	0.900.0966.6	1	small cover
20	0.900.0105.7	1	bottom
21	0.900.0082.2	1	bushing
22	0.900.0081.7	1	pipe fitting
23	0.900.0081.8	1	pipe fitting
24	0.900.0965.2	1	tube
25	0.900.0965.3	1	tube
26	0.900.0107.0	2	pipe fitting
27	0.900.1641.1	1	plug
28	0.900.0541.6	1	washer



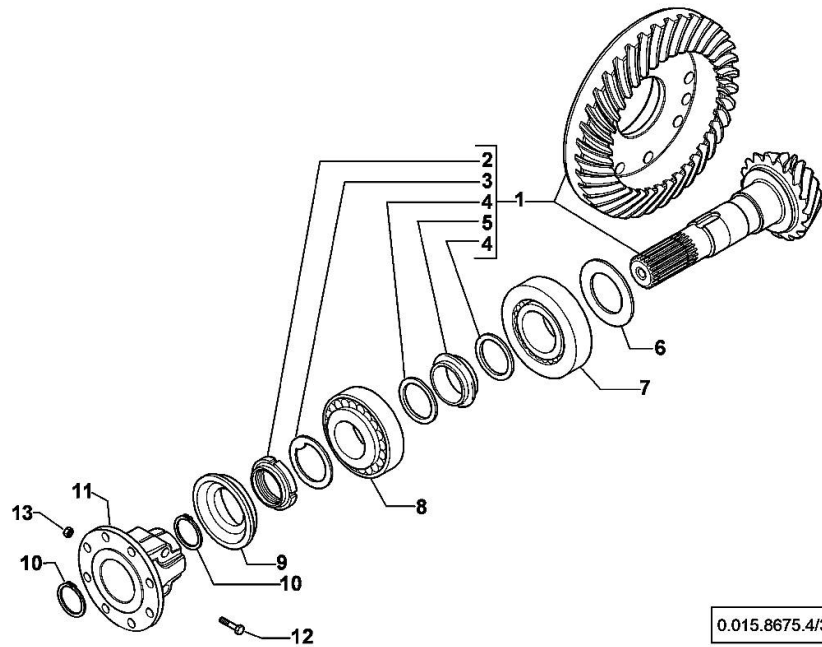
Section: F0 - FRONT AXLE
STEERING CYLINDER

Fig.	P/n	QTY	Name
1	0.900.0542.4	2	grease gun m 6 p.1
2	0.900.0082.4	2	screw m 20 p.1.5
3	0.900.0502.5	2	pin
4	0.900.0085.0	8	plug
5	0.900.0082.9	16	screw m 14 x 35
6	0.900.0107.9	1	fork sx/lh/li
7	0.900.0083.1	2	nut m 14
8	0.900.0948.6	2	screw m 14
9	0.900.0083.3	2	nut m 20 p.1
10	0.900.0083.4	2	pin
11	0.900.0083.5	2	grease gun m 6 p.1, 45°
12	0.900.0107.1	1	fork dx/rh/re
13	0.900.0107.2	1	fork sx/lh/li
14	0.900.0107.3	1	stem
15	0.900.0107.4	1	gasket set
16	0.900.0083.9	2	oil seal 56x80x13/14,5
17	0.900.0107.5	1	fork dx/rh/re
18	0.900.0084.1	2	circlip
19	0.900.0084.2	2	bearing
20	0.900.0084.3	2	spacer
21	0.900.0107.6	2	rod
22	0.900.0084.5	2	ball joint
23	0.900.0084.6	2	nut m 24x10
24	0.900.0107.7	2	rod
25	0.900.0105.9	6	screw m 20x80
26	0.900.0107.8	1	jack
27	0.900.0948.7	2	bush



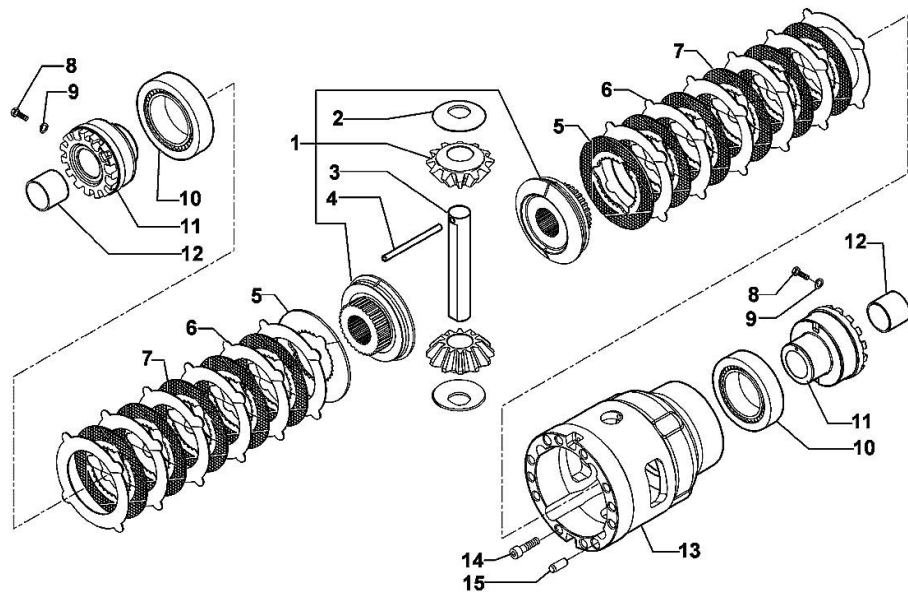
BEVEL WHEEL GEAR

Fig.	P/n	QTY	Name
1	0.900.0108.0	1	bevel drive Z = 14/37
2	0.900.0085.5	1	ring nut m 40 p.1.5
3	0.900.0085.6	1	washer
4	0.900.0085.7	2	washer
5	0.900.0108.1	1	spacer
6	0.900.0108.2		shim 2.50
6	0.900.0108.3		shim 2.60
6	0.900.0108.4		shim 2.70
6	0.900.0108.5		shim 2.80
6	0.900.0108.6		shim 3.00
6	0.900.0108.7		shim 2.90
6	0.900.0108.8		shim 3.10
6	0.900.0108.9		shim 3.20
6	0.900.0109.0		shim 3.30
6	0.900.0109.1		shim 3.40
7	0.900.0109.2	1	bearing
8	0.900.0086.9	1	bearing
9	0.900.0087.0	1	oil seal 35x92/98x13/27
10	0.900.0087.1	2	circlip d = 35
11	0.900.0960.5	1	flange
12	0.900.0960.9	2	screw
13	0.900.0961.0	2	nut



DIFFERENTIAL

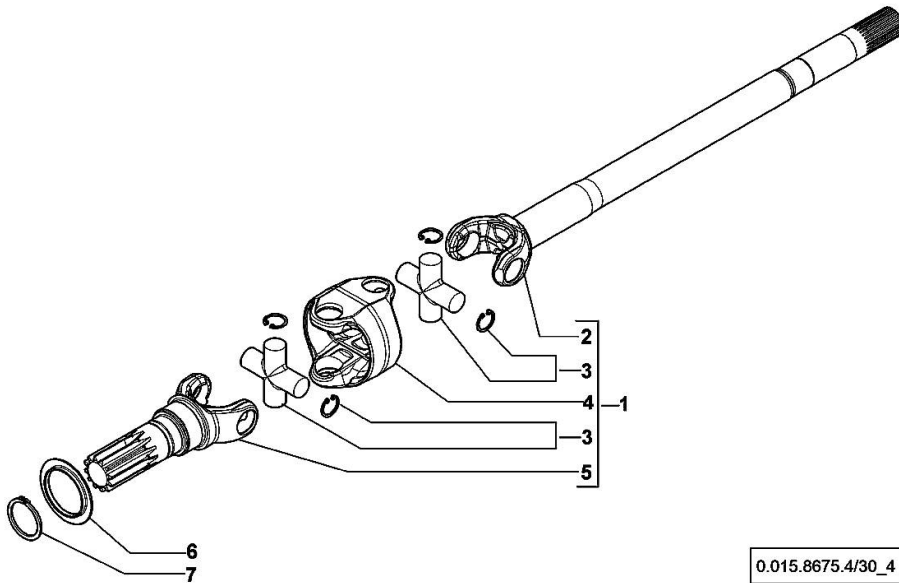
Fig.	P/n	QTY	Name
1	0.900.0118.5	1	set of gears
2	0.900.0109.5	2	slewing ring
3	0.900.0109.6	1	pin
4	0.900.0109.7	1	pin Ø 6 x 86
5	0.900.0118.6	2	disc
6	0.900.0100.9	12	washer
7	0.900.0118.7	10	disc
8	0.900.0088.1	1	screw m 6 x 25
9	0.900.0088.2	1	washer
10	0.900.0090.1	2	bearing
11	0.900.0109.9	2	ring nut m 94 p.1.5
12	0.900.0088.6	2	bushing
13	0.900.0118.8	1	box
14	0.900.0088.0	10	screw m 12 x 35
15	0.900.0088.3	2	pin Ø 12 x 28



0.015.8675.4/30_3

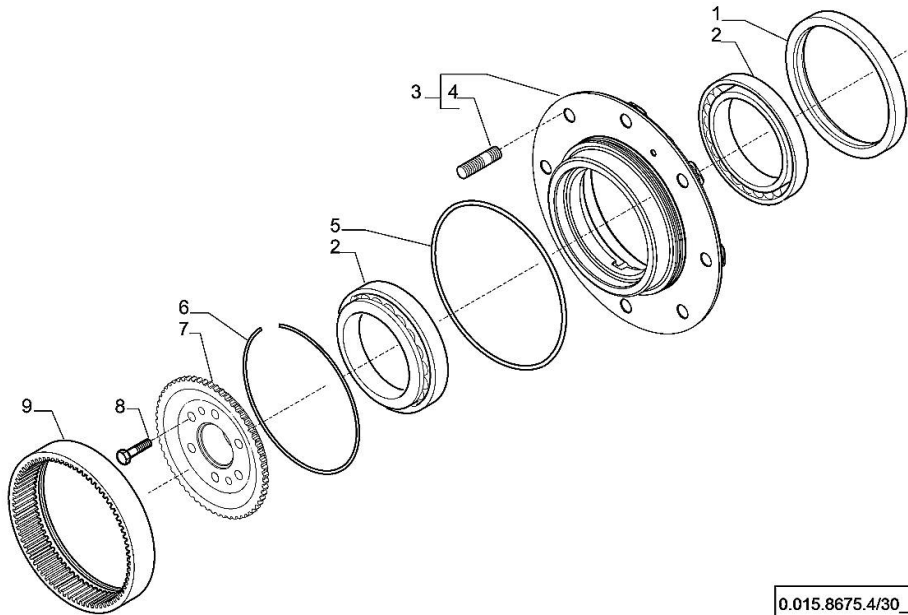
DOUBLE COUPLING

Fig.	P/n	QTY	Name
1	0.900.0912.7	1	shaft dx/rh/re
1	0.900.0912.8	1	shaft sx/lh/li
2	0.900.0965.4	1	half-shaft dx/rh/re
2	0.900.0965.5	1	half-shaft sx/lh/li
3	0.900.0572.7	4	universal joint
4	0.900.0110.5	2	box
5	0.900.0110.6	2	gear
6	0.900.0090.9	2	cover
7	0.900.0091.0	2	circlip



WHEEL HUB

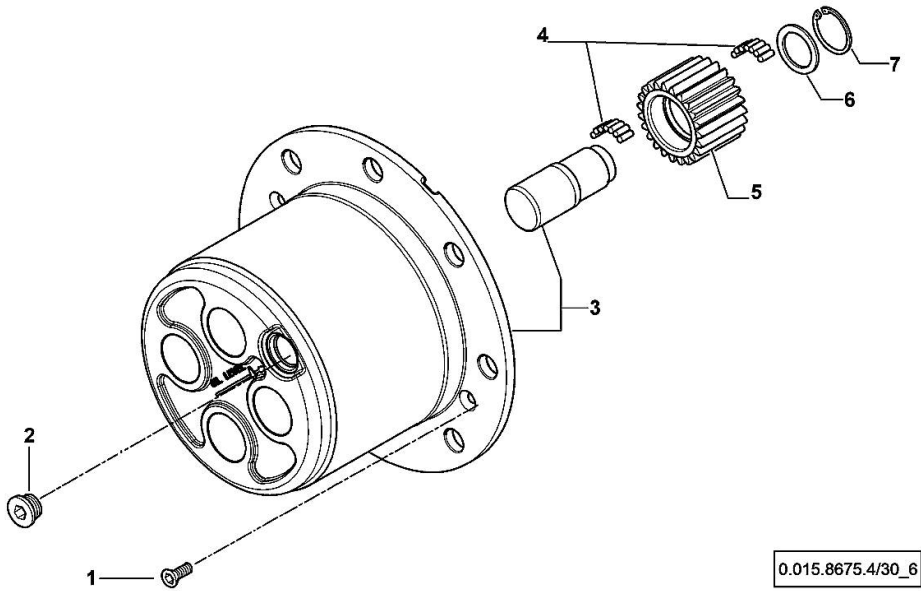
Fig.	P/n	QTY	Name
1	0.900.0091.1	2	oil seal 155x180x14,5
2	0.900.1360.6	4	bearing
3	0.900.0530.9	2	wheel hub
4	0.900.0091.4	8	stud bolt
5	0.900.0091.5	2	oil seal
6	0.900.0091.6	2	circlip
7	0.900.1360.7	2	hub
8	0.900.0091.8	12	screw m 12 x 45
9	0.900.0091.9	2	crown wheel Z = 60



0.015.8675.4/30_5

PLANETARY GEAR

Fig.	P/n	QTY	Name
1	0.900.0092.0	4	screw m 8 p.1.25 x 20
2	0.900.0092.1	2	plug m 30 p.2
3	0.900.0110.7	2	spider - KIT
4	0.900.0092.3	45	roller
5	0.900.0092.4	8	gear Z = 23
6	0.900.0092.5	8	slewing ring
7	0.900.0092.6	8	circlip

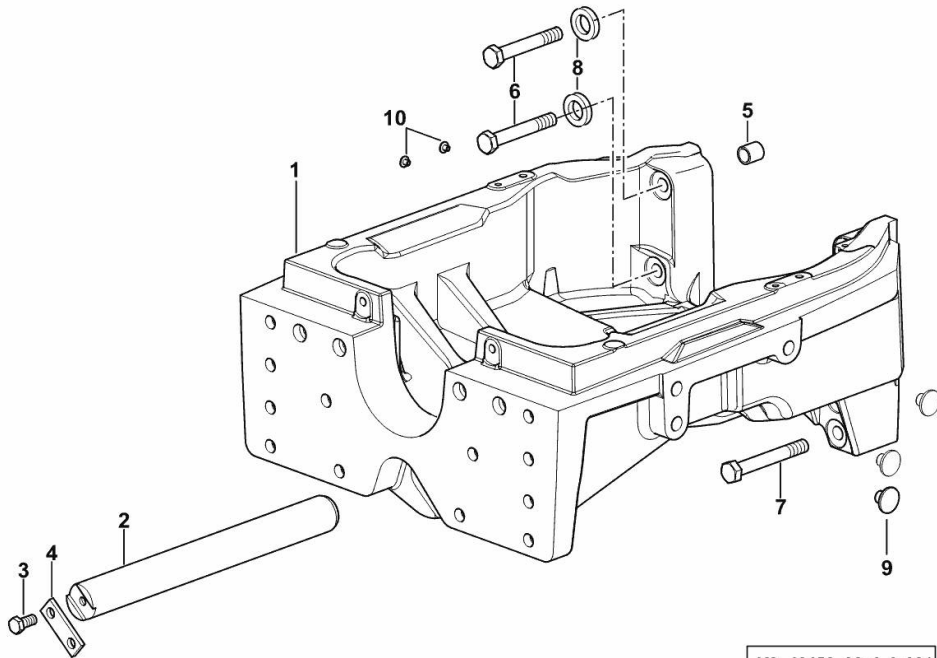


Section: F0 - FRONT AXLE
4WD - FRONT SUPPORT

Fig.	P/n	QTY	Name
------	-----	-----	------

Notes:
 [IRON 135 DCR 4V]

1	0.016.0970.0/40	1	front support
2	04411024	1	pin
3	2.0114.409.2	2	screw m 12 x 25
4	04419914	1	bracket
5	2.2680.047.0	2	ring 17x22x23
6	2.0113.630.2	4	screw m 16x105
7	2.0119.282.6	4	screw m 16 x 120
8	01174740	4	washer 16.5x31x7
9	01167322	10	bottom 18.4x15.5x25
10	0.017.8802.0	2	bottom



K9_J6452_00_0-A-001

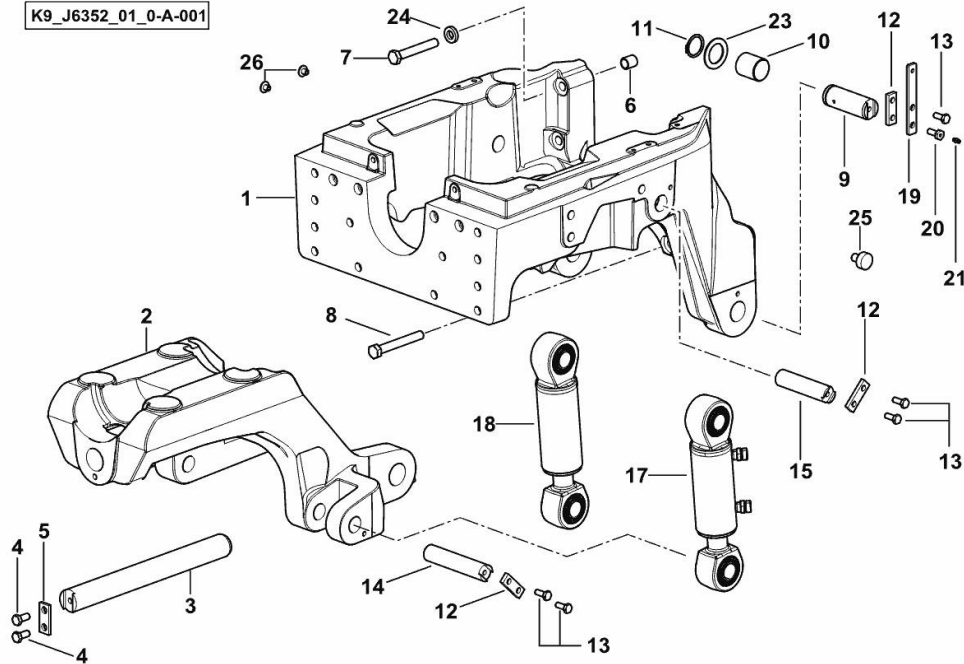
4WD - FRONT CARRIER WITH SUSPENSION

Fig.	P/n	QTY	Name
------	-----	-----	------

Notes:

[IRON 135 DCR 4V] 10025 <-

K9_J6352_01_0-A-001



1	0.016.0971.0/20	1	front support
2	04455624/30	1	support
3	04411024	1	pin
4	2.0114.409.2	2	screw m 12 x 25
5	04411025	1	flange
6	2.2680.047.0	2	ring 17x22x23
7	2.0113.630.2	4	screw m 16x105
8	2.0119.282.6	4	screw m 16 x 120
9	04438671	2	pin
10	04424134/20	2	bushing
11	2.1410.016.7	2	circlip 40x1.75
12	04422768	6	small plate
13	2.0114.309.2	10	screw m 10 p 1.25 x 25
14	0.015.3715.0/10	2	pin
15	0.015.3716.0/10	2	pin
17	04455060/10	1	jack sx/lh/li - Weber ☞ 04455060/10
18	04455061/10	1	jack dx/rh/re - Weber ☞ 04455061/10
19	04422860/10	1	small plate
20	04450386/20	2	screw m 10 x 25
21	2.3820.101.2	2	grease gun m 6 p.1 x 5
23	04438682	2	ring
24	01174740	4	washer 16.5x31x7
25	01167322	10	bottom 18.4x15.5x25
26	0.017.8802.0	2	bottom

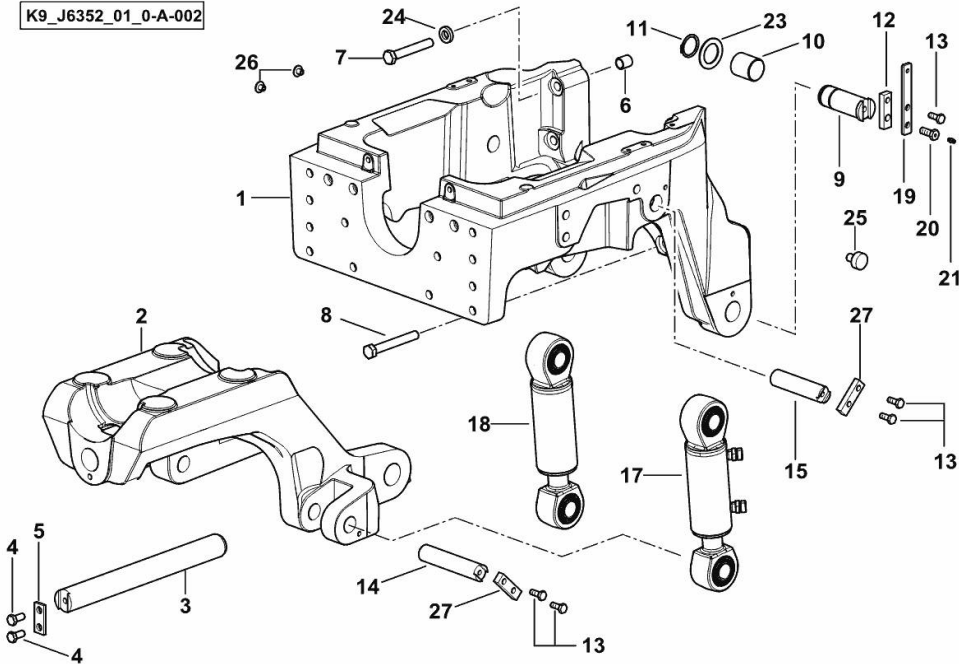
4WD - FRONT CARRIER WITH SUSPENSION

Fig.	P/n	QTY	Name
------	-----	-----	------

Notes:

[IRON 135 DCR 4V]

K9_J6352_01_0-A-002



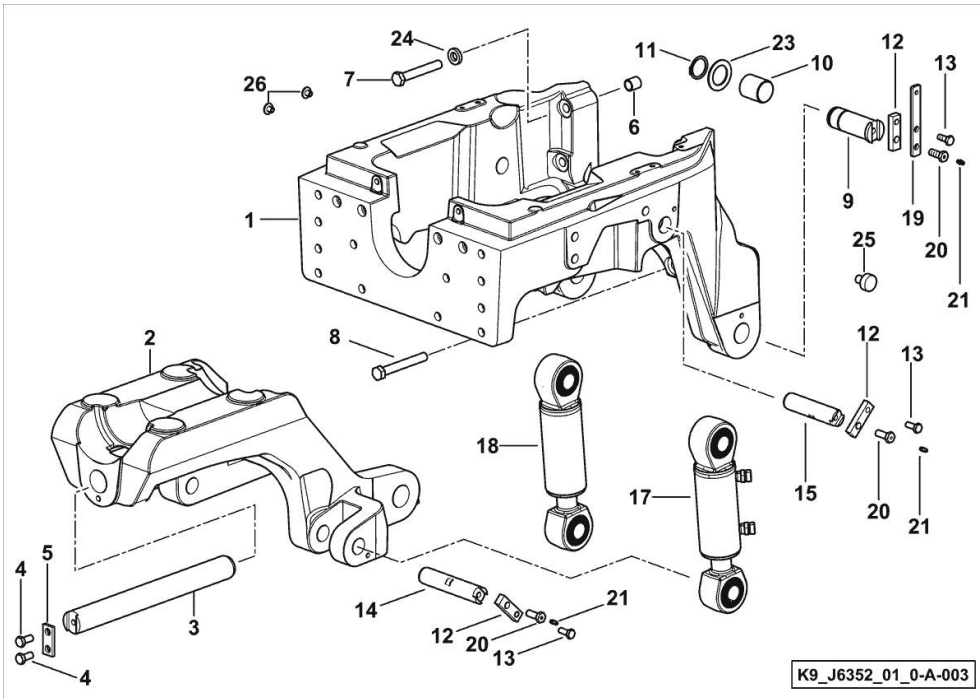
1	0.016.0971.0/30	1	front support
2	04455624/30	1	support
3	04411024	1	pin
4	2.0114.409.2	2	screw m 12 x 25
5	04411025	1	flange
6	2.2680.047.0	2	ring 17x22x23
7	2.0113.630.2	4	screw m 16x105
8	2.0119.282.6	4	screw m 16 x 120
9	2.1679.130.0	2	pin
10	04424134/20	2	bushing
11	2.1410.016.7	2	circlip 40x1.75
12	0.020.8164.0	2	small plate
13	2.0114.309.2	10	screw m 10 p 1.25 x 25
14	0.015.3715.0/10	2	pin
15	0.015.3716.0/10	2	pin
17	04455060/10	1	jack sx/lh/li - Weber ☞ 04455060/10
18	04455061/10	1	jack dx/rh/re - Weber ☞ 04455061/10
19	04422860/10	1	small plate
20	2.3249.736.7	2	screw m 12 x 30
21	2.3820.101.2	2	grease gun m 6 p.1 x 5
23	04438682	2	ring
24	01174740	4	washer 16.5x31x7
25	01167322	10	bottom 18.4x15.5x25
26	0.017.8802.0	2	bottom
27	04422768	4	small plate

4WD - FRONT CARRIER WITH SUSPENSION

Fig.	P/n	QTY	Name
------	-----	-----	------

Notes:

[IRON 135 DCR 4V]



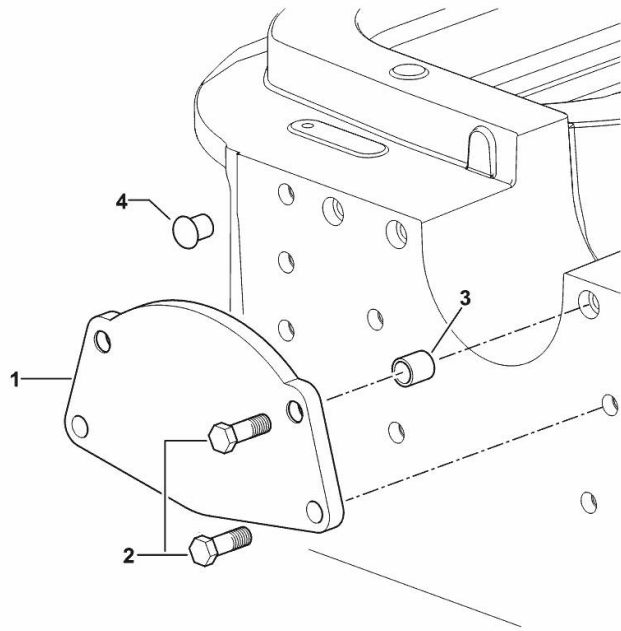
1	0.016.0971.0/40	1	front support
2	04455624/30	1	support
3	04411024	1	pin
4	2.0114.409.2	2	screw m 12 x 25
5	04411025	1	flange
6	2.2680.047.0	2	ring 17x22x23
7	2.0113.630.2	4	screw m 16x105
8	2.0119.282.6	4	screw m 16 x 120
9	2.1679.130.0	2	pin
10	04424134/20	2	bushing
11	2.1410.016.7	2	circlip 40x1.75
12	0.020.8164.0	6	small plate
13	2.0114.309.2	6	screw m 10 p 1.25 x 25
14	0.021.0516.0	2	pin
15	0.021.8686.0	2	pin
17	2.3749.036.0/10	1	jack sx/lh/li - Weber
18	2.3749.035.0/10	1	jack dx/rh/re - Weber
19	0.021.5396.0	1	small plate
20	2.3249.736.7	6	screw m 12 x 30
21	2.3820.101.2	6	grease gun m 6 p.1 x 5
23	04438682	2	ring
24	01174740	4	washer 16.5x31x7
25	01167322	10	bottom 18.4x15.5x25
26	0.017.8802.0	2	bottom

FRONT COVER WITHOUT FRONT HOOK

Fig.	P/n	QTY	Name
------	-----	-----	------

Notes:
[IRON 135 DCR 4V]

1	04422634/10	1	plate
2	2.0112.615.2	4	screw m 16 p.2 x 40
3	2.2680.047.0	2	ring 17x22x23
4	01167317	12	plug 14.5X11.5X21



K9_95052_31_0-A-001

BLANKING PLUG FOR TYPES WITHOUT FRONT PTO

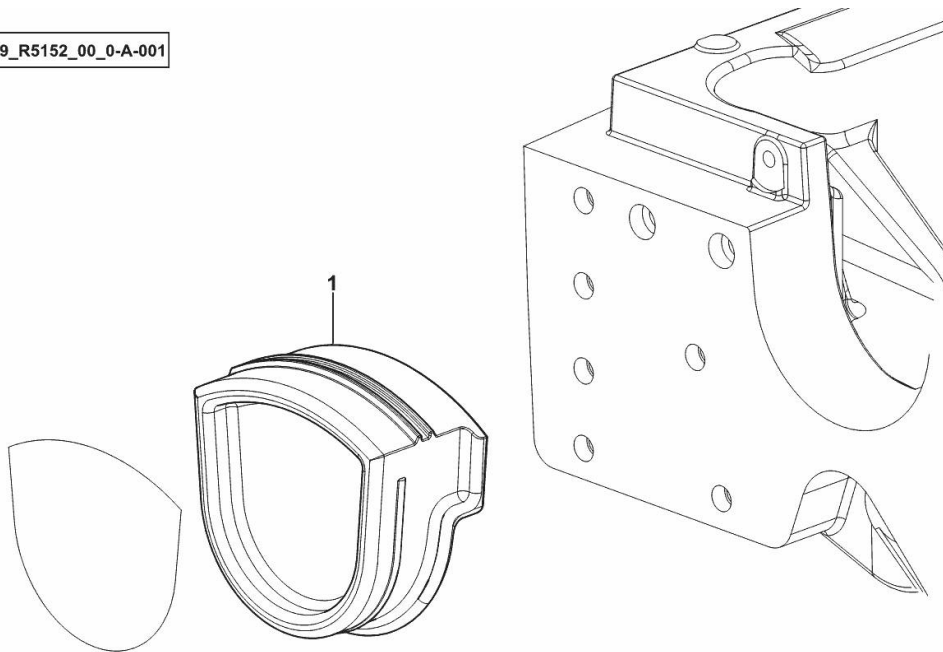
Fig.	P/n	QTY	Name
------	-----	-----	------

Notes:

[IRON 135 DCR 4V] -> 10018 - 10022 <-

1	0.018.3720.0	1	plug
---	--------------	---	------

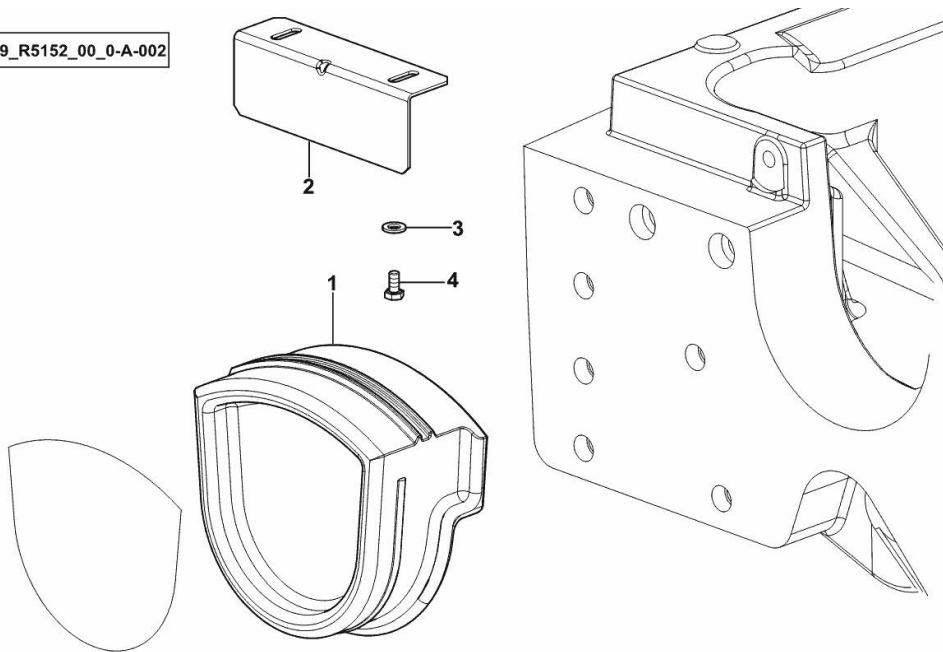
K9_R5152_00_0-A-001



BLANKING PLUG FOR TYPES WITHOUT FRONT PTO

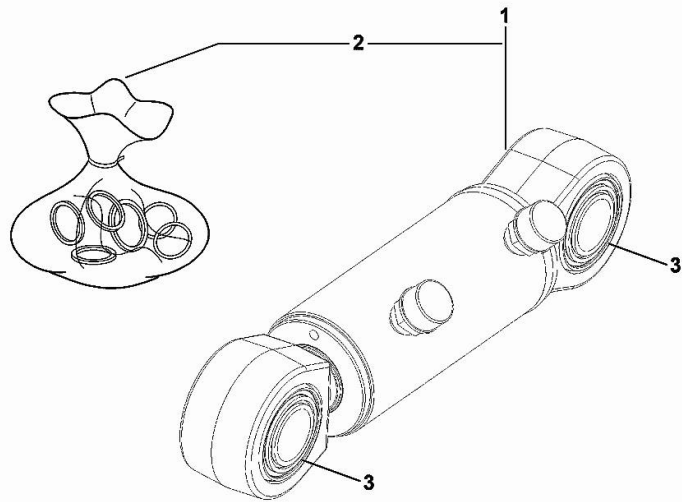
Fig.	P/n	QTY	Name
1	0.018.3720.0	1	plug
2	0.020.0527.0	1	bracket
3	2.1310.003.2	2	flat washer 7.4x14
4	2.0114.003.2	2	screw m 6 p.1 x 12

K9_R5152_00_0-A-002



HYDRAULIC CYLINDER

Fig.	P/n	QTY	Name
1	04455060/10	1	jack sx/lh/li - Weber
2	0.900.1284.5	1	gasket set
3	0.900.1492.3	2	bushing



04455060/10

Thank you so much for reading.
Please click the “Buy Now!”
button below to download the
complete manual.



After you pay.

You can download the most
perfect and complete manual in
the world immediately.

Our support email:

ebooklibonline@outlook.com