

**DRIVEN FRONT AXLE - 359577**

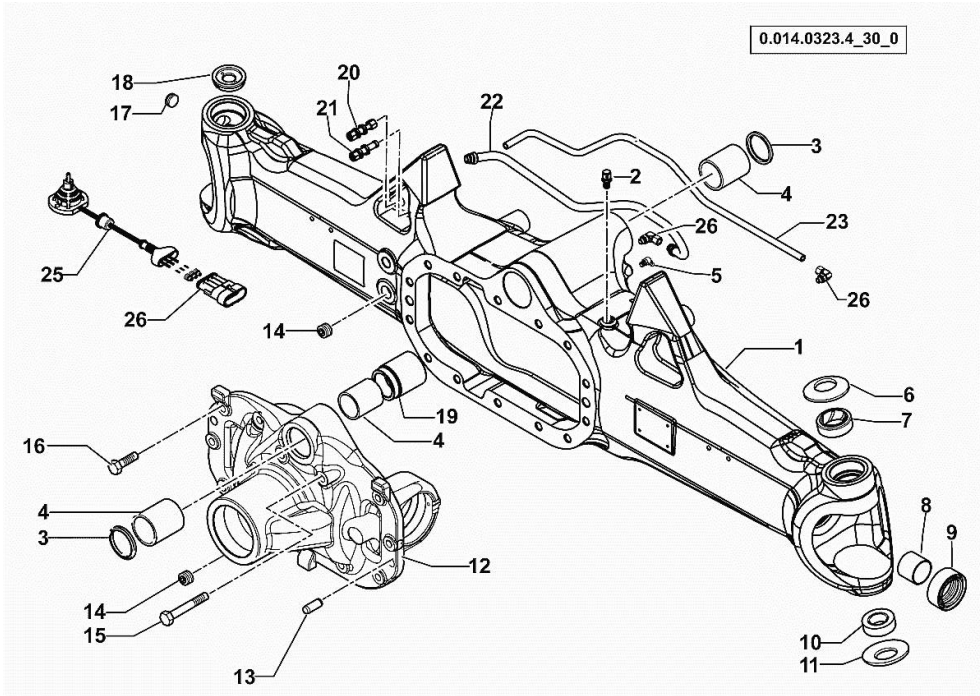


Fig.	P/n	QTY	Name
1	0.900.0965.1	1	front axle
2	0.900.0079.8	1	breather m 10 p.1
3	0.900.0079.9	2	circlip
4	0.900.0080.0	3	bushing
5	0.900.0080.1	1	grease gun m 8 p.1, 45°
6	0.900.0080.2	2	spring
7	0.900.0080.3	2	bushing
8	0.900.0080.4	2	bushing
9	0.900.0912.6	2	oil seal 40x65x27,5
10	0.900.0080.6	2	bearing
11	0.900.0080.7	2	spring
12	0.900.0960.4	1	support
13	0.900.0081.0	2	pin Ø 15x45
14	0.900.0081.1	2	plug m 24 p.1.5
15	0.900.0081.2	2	screw m 14x75
16	0.900.0081.3	12	screw m14 x 40
17	0.900.0081.6	1	plug m 26 p.1.5
18	0.900.0966.6	1	small cover
19	0.900.0082.2	1	bushing
20	0.900.0081.7	1	pipe fitting
21	0.900.0081.8	1	pipe fitting
22	0.900.0965.2	1	tube
23	0.900.0965.3	1	tube
24	0.900.0107.0	1	pipe fitting
25	0.900.0504.8	1	sensor - KIT
26	0.900.0081.5	2	connector

**STEERING CYLINDER - 359577**

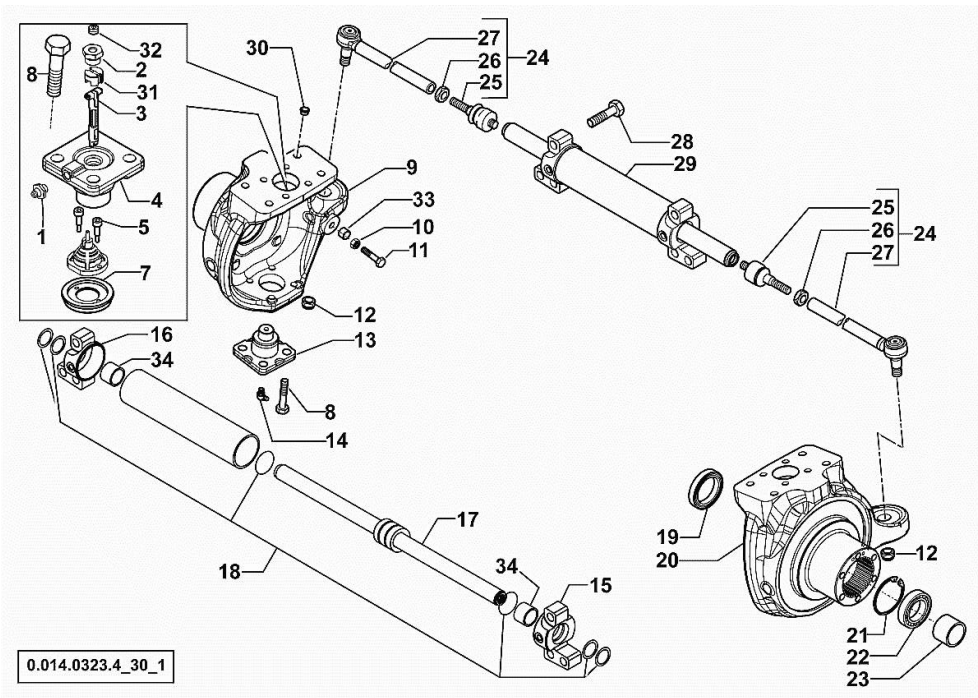
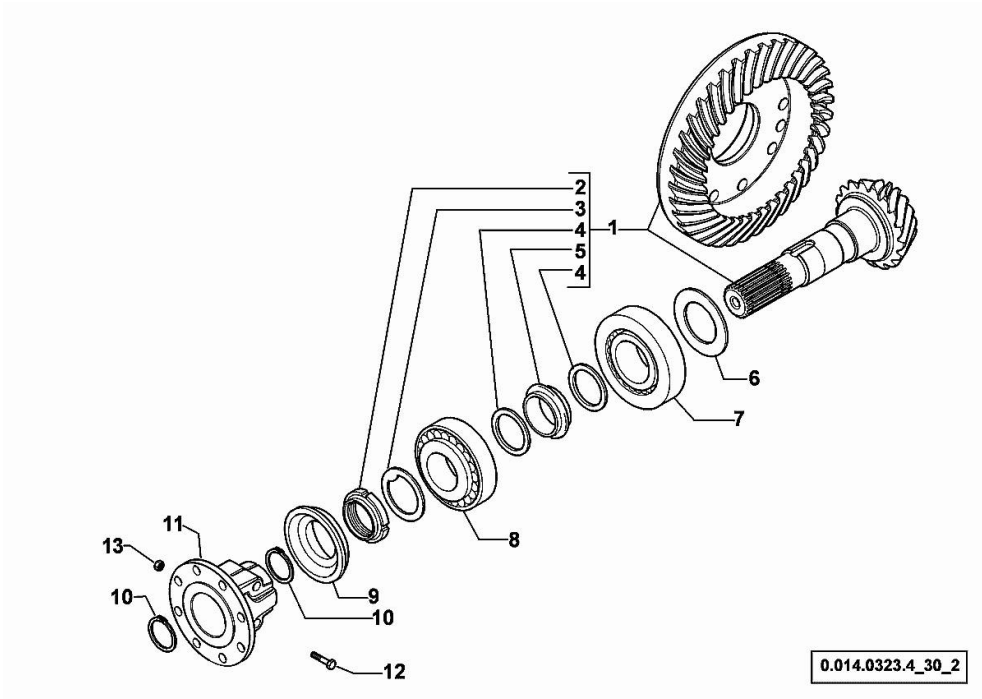


Fig.	P/n	QTY	Name
1	0.900.0542.4	2	grease gun m 6 p.1
2	0.900.0082.4	2	screw m 20 p.1.5
3	0.900.0502.3	1	shaft
4	0.900.0502.5	2	pin
5	0.900.0082.7	2	screw m 4 x 10
7	0.900.0865.2	1	cover
8	0.900.0082.9	16	screw m 14 x 35
9	0.900.0107.9	1	fork sx/lh/li
10	0.900.0083.1	2	nut m 14
11	0.900.0948.6	2	screw m 14
12	0.900.0083.3	2	nut m 20 p.1
13	0.900.0083.4	2	pin
14	0.900.0083.5	2	grease gun m 6 p.1, 45°
15	0.900.0107.1	1	fork dx/rh/re
16	0.900.0107.2	1	fork sx/lh/li
17	0.900.0107.3	1	stem
18	0.900.0107.4	1	gasket set
19	0.900.0083.9	2	oil seal 56x80x13/14,5
20	0.900.0107.5	1	fork dx/rh/re
21	0.900.0084.1	2	circlip
22	0.900.0084.2	2	bearing
23	0.900.0084.3	2	spacer
24	0.900.0107.6	2	rod
			COMPLETE ( 25, 26 & 27 )
25	0.900.0084.5	2	ball joint
26	0.900.0084.6	2	nut m 24x10
27	0.900.0107.7	2	rod
28	0.900.0105.9	6	screw m 20x80
29	0.900.0107.8	1	jack
30	0.900.0085.0	8	plug
31	0.900.0961.2	1	small block
32	0.900.0894.3	2	plug
33	0.900.0948.7	2	bush
34	0.900.1363.8	2	bushing

0.014.0323.4\_30\_1

**BEVEL WHEEL GEAR - 359577**

Fig.	P/n	QTY	Name
1	0.900.0108.0	1	bevel drive Z = 14/37 COMPLETE ( 2, 3, 4 & 5 )
2	0.900.0085.5	1	ring nut m 40 p.1.5
3	0.900.0085.6	1	washer
4	0.900.0085.7	2	washer
5	0.900.0108.1	1	spacer
6	0.900.0108.2		shim 2.50
6	0.900.0108.3		shim 2.60
6	0.900.0108.4		shim 2.70
6	0.900.0108.5		shim 2.80
6	0.900.0108.6		shim 3.00
6	0.900.0108.7		shim 2.90
6	0.900.0108.8		shim 3.10
6	0.900.0108.9		shim 3.20
6	0.900.0109.0		shim 3.30
6	0.900.0109.1		shim 3.40
7	0.900.0109.2	1	bearing
8	0.900.0086.9	1	bearing
9	0.900.0087.0	1	oil seal 35x92/98x13/27
10	0.900.0087.1	2	circlip d = 35
11	0.900.0960.5	1	flange
12	0.900.0960.9	2	screw
13	0.900.0961.0	2	nut



0.014.0323.4\_30\_2

**DIFFERENTIAL - 359577**

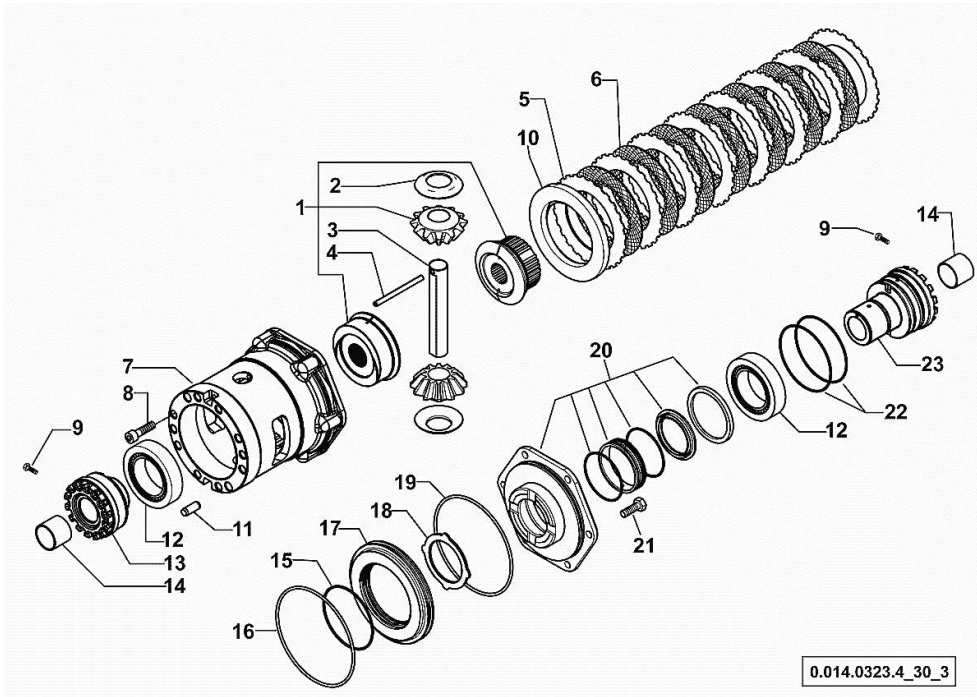
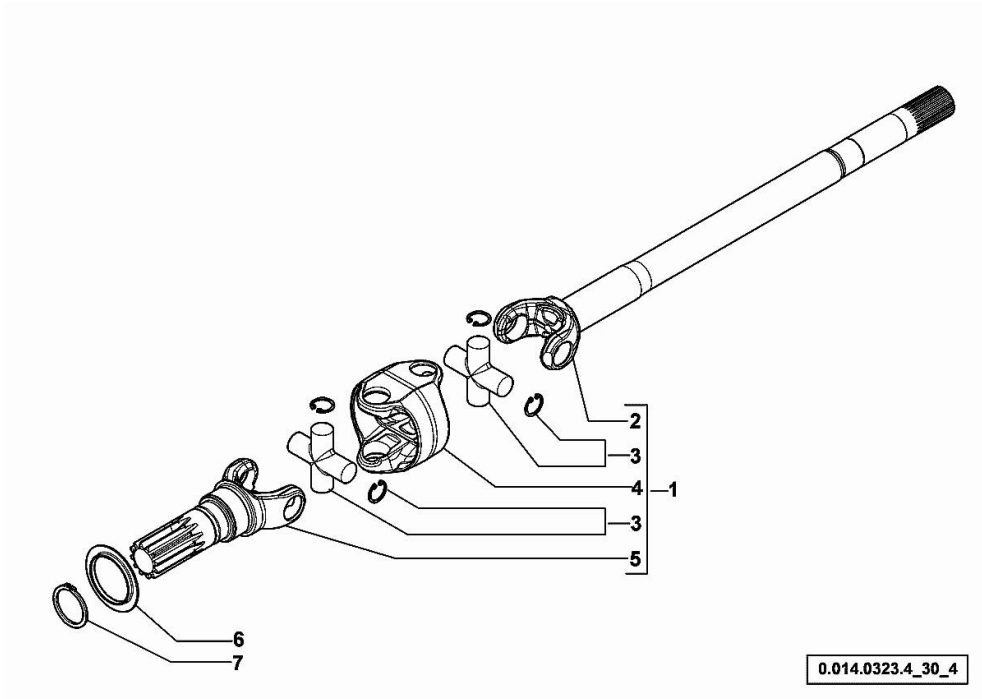


Fig.	P/n	QTY	Name
1	0.900.0109.4	1	gear COMPLETE ( 2, 3 & 4 )
2	0.900.0109.5	2	slewing ring
3	0.900.0109.6	1	pin
4	0.900.0109.7	1	pin Ø 6 x 86
5	0.900.0087.7	8	disc
6	0.900.0087.8	7	disc
7	0.900.0109.8	1	box
8	0.900.0088.0	10	screw m 12 x 35
9	0.900.0088.1	2	screw m 6 x 25
10	0.900.0090.0	1	disc
11	0.900.0088.3	2	pin Ø 12 x 28
12	0.900.0090.1	2	bearing
13	0.900.0109.9	1	ring nut m 94 p.1.5
14	0.900.0088.6	2	bushing
15	0.900.0088.7	1	oil seal
16	0.900.0088.8	1	oil seal
17	0.900.0088.9	1	piston
18	0.900.0089.0	1	disc
19	0.900.0089.1	1	oil seal
20	0.900.0952.0	1	cover - KIT
21	0.900.0089.3	6	screw m 10 x 35
22	0.900.0089.8	2	oil seal
23	0.900.0089.9	1	ring nut m 94 p.1.5

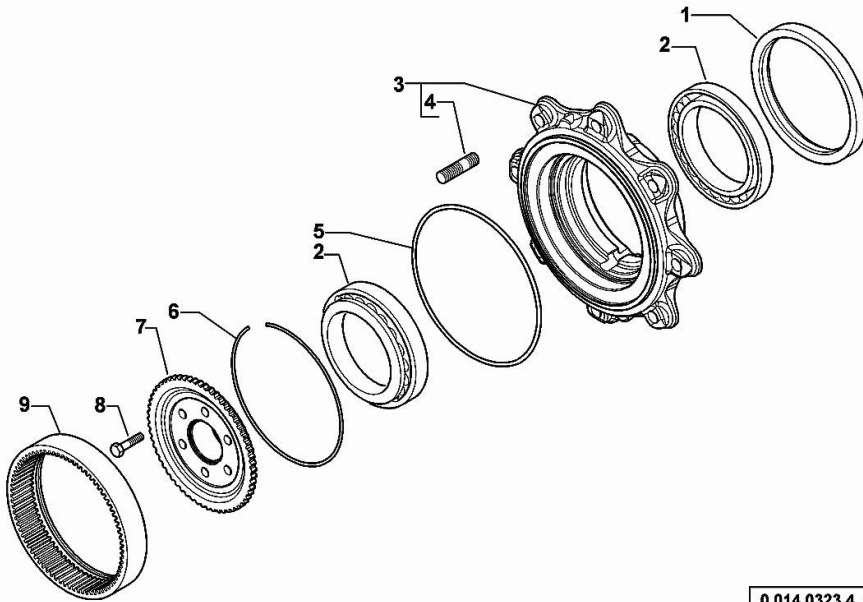
**DOUBLE COUPLING - 359577**

Fig.	P/n	QTY	Name
1	0.900.0912.7	1	shaft dx/rh/re COMPLETE ( 2, 3, 4 & 5 )
1	0.900.0912.8	1	shaft sx/lh/li COMPLETE ( 2, 3, 4 & 5 )
2	0.900.0965.4	1	half-shaft dx/rh/re
2	0.900.0965.5	1	half-shaft sx/lh/li
3	0.900.0572.7	4	universal joint
4	0.900.0110.5	2	box
5	0.900.0110.6	2	gear
6	0.900.0090.9	2	cover
7	0.900.0091.0	2	circlip



**WHEEL HUB - 359577**

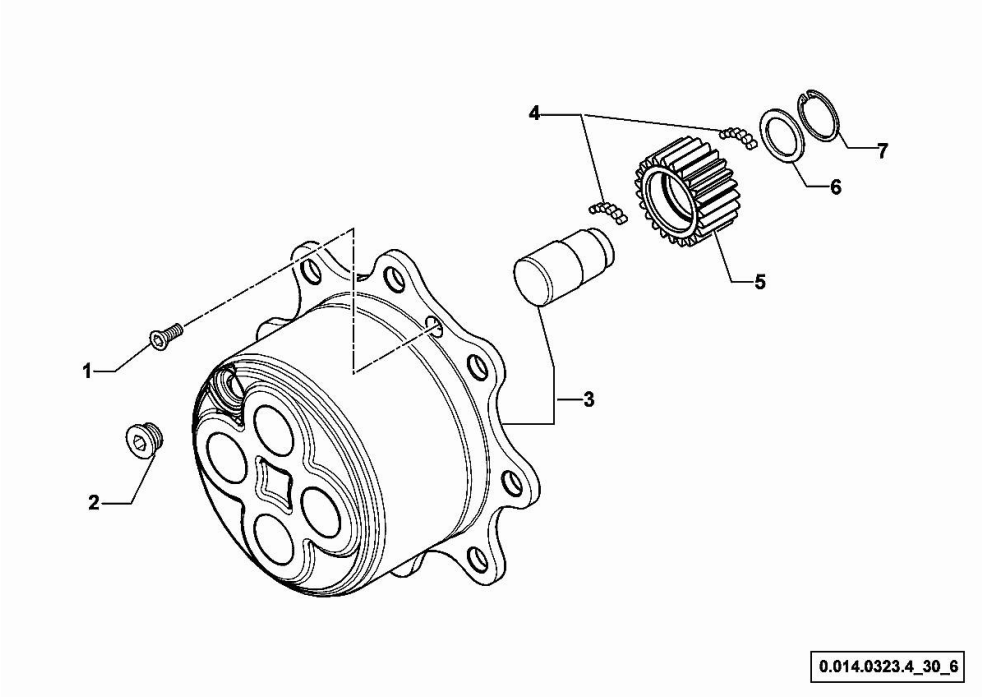
Fig.	P/n	QTY	Name
1	0.900.0091.1	2	oil seal 155x180x14,5
2	0.900.1360.6	4	bearing
3	0.900.0530.9	2	wheel hub COMPLETE ( 4 )
4	0.900.0091.4	16	stud bolt
5	0.900.0091.5	2	oil seal
6	0.900.0091.6	2	circlip
7	0.900.1360.7	2	hub
8	0.900.0091.8	12	screw m 12 x 45
9	0.900.0091.9	2	crown wheel Z = 60



0.014.0323.4\_30\_5

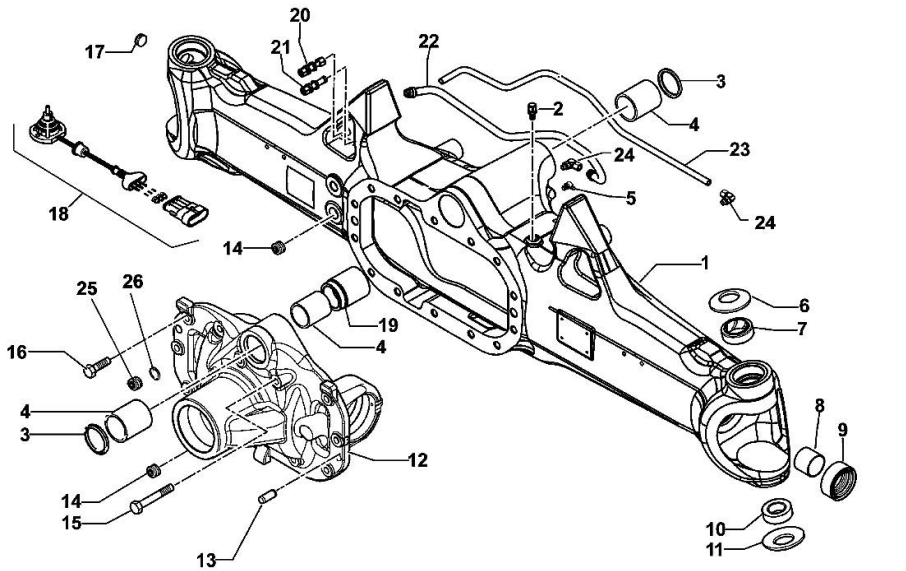
**PLANETARY GEAR - 359577**

Fig.	P/n	QTY	Name
1	0.900.0092.0	4	screw m 8 p.1.25 x 20
2	0.900.0092.1	2	plug m 30 p.2
3	0.900.0960.8	2	spider - KIT
4	0.900.0092.3	45	roller
5	0.900.0092.4	8	gear Z = 23
6	0.900.0092.5	8	slewing ring
7	0.900.0092.6	8	circlip



Section: F0 - FRONT AXLE  
**DRIVEN FRONT AXLE**

Fig.	P/n	QTY	Name
1	0.900.0965.1	1	front axle
2	0.900.0079.8	1	breather m 10 p.1
3	0.900.0079.9	2	circlip
4	0.900.0080.0	3	bushing
5	0.900.0080.1	1	grease gun m 8 p.1, 45°
6	0.900.0080.2	2	spring
7	0.900.0080.3	2	bushing
8	0.900.0080.4	2	bushing
9	0.900.0912.6	2	oil seal 40x65x27,5
10	0.900.0080.6	2	bearing
11	0.900.0080.7	2	spring
12	0.900.0960.4	1	support
13	0.900.0081.0	2	pin Ø 15x45
14	0.900.0081.1	2	plug m 24 p.1.5
15	0.900.0081.2	2	screw m 14x75
16	0.900.0081.3	12	screw m14 x 40
17	0.900.0081.6	1	plug m 26 p.1.5
18	0.900.0504.8	1	sensor - KIT
19	0.900.0082.2	1	bushing
20	0.900.0081.7	1	pipe fitting
21	0.900.0081.8	1	pipe fitting
22	0.900.0965.2	1	tube
23	0.900.0965.3	1	tube
24	0.900.0107.0	1	pipe fitting
25	0.900.1641.1	1	plug
26	0.900.0541.6	1	washer

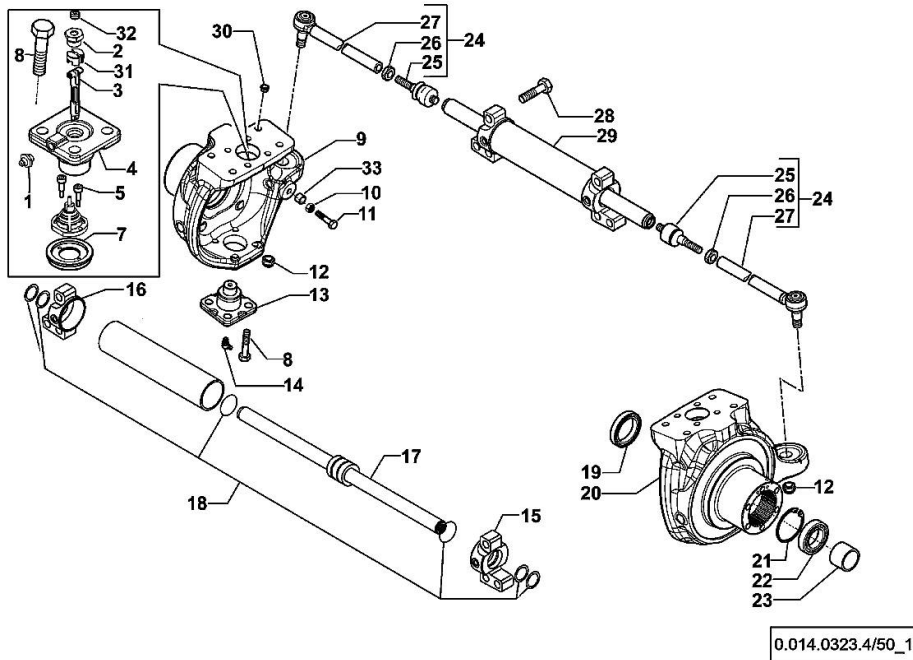


0.014.0323.4/50\_0



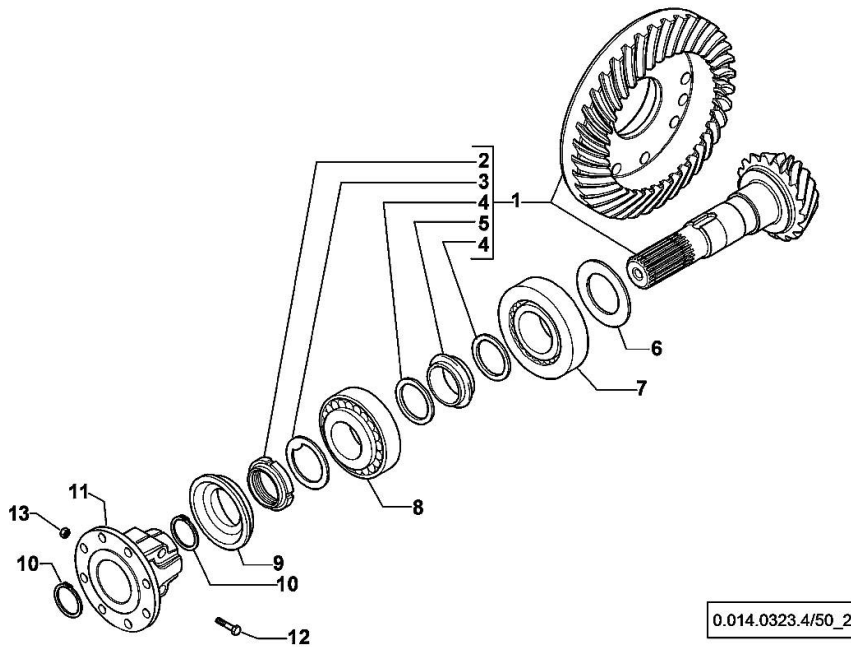
Section: F0 - FRONT AXLE  
**STEERING CYLINDER**

Fig.	P/n	QTY	Name
1	0.900.0542.4	2	grease gun m 6 p.1
2	0.900.0082.4	2	screw m 20 p.1.5
3	0.900.0502.3	1	shaft
4	0.900.0502.5	2	pin
5	0.900.0082.7	2	screw m 4 x 10
7	0.900.0865.2	1	cover
8	0.900.0082.9	16	screw m 14 x 35
9	0.900.0107.9	1	fork sx/lh/li
10	0.900.0083.1	2	nut m 14
11	0.900.0948.6	2	screw m 14
12	0.900.0083.3	2	nut m 20 p.1
13	0.900.0083.4	2	pin
14	0.900.0083.5	2	grease gun m 6 p.1, 45°
15	0.900.0107.1	1	fork dx/rh/re
16	0.900.0107.2	1	fork sx/lh/li
17	0.900.0107.3	1	stem
18	0.900.0107.4	1	gasket set
19	0.900.0083.9	2	oil seal 56x80x13/14,5
20	0.900.0107.5	1	fork dx/rh/re
21	0.900.0084.1	2	circlip
22	0.900.0084.2	2	bearing
23	0.900.0084.3	2	spacer
24	0.900.0107.6	2	rod
25	0.900.0084.5	1	ball joint
26	0.900.0084.6	1	nut m 24x10
27	0.900.0107.7	1	rod
28	0.900.0105.9	6	screw m 20x80
29	0.900.0107.8	1	jack
30	0.900.0085.0	8	plug
31	0.900.0961.2	1	small block
32	0.900.0894.3	2	plug
33	0.900.0948.7	2	bush



**BEVEL WHEEL GEAR**

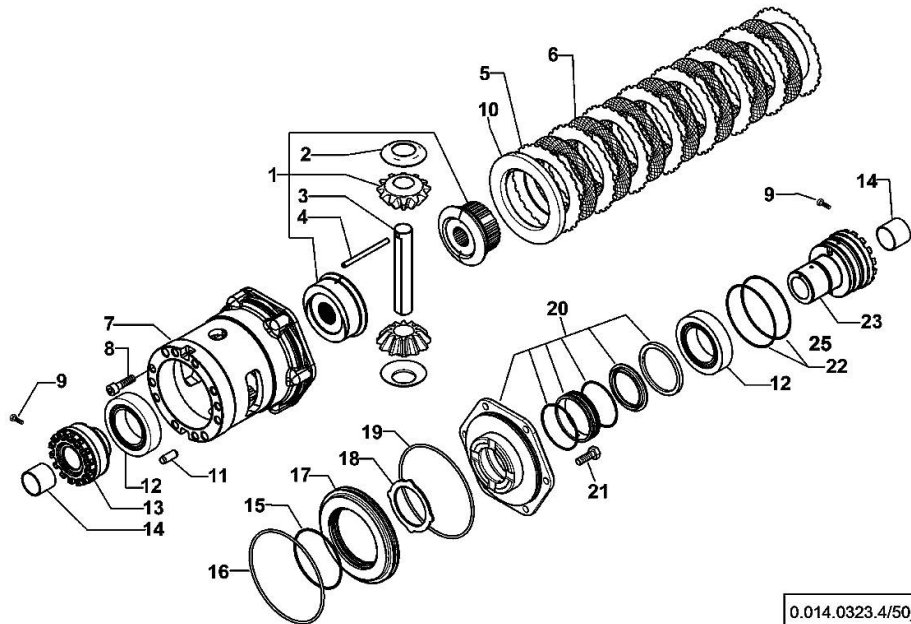
Fig.	P/n	QTY	Name
1	0.900.0108.0	1	bevel drive Z = 14/37
2	0.900.0085.5	1	ring nut m 40 p.1.5
3	0.900.0085.6	1	washer
4	0.900.0085.7	2	washer
5	0.900.0108.1	1	spacer
6	0.900.0108.2		shim 2.50
6	0.900.0108.3		shim 2.60
6	0.900.0108.4		shim 2.70
6	0.900.0108.5		shim 2.80
6	0.900.0108.6		shim 3.00
6	0.900.0108.7		shim 2.90
6	0.900.0108.8		shim 3.10
6	0.900.0108.9		shim 3.20
6	0.900.0109.0		shim 3.30
6	0.900.0109.1		shim 3.40
7	0.900.0109.2	1	bearing
8	0.900.0086.9	1	bearing
9	0.900.0087.0	1	oil seal 35x92/98x13/27
10	0.900.0087.1	2	circlip d = 35
11	0.900.0960.5	1	flange
12	0.900.0960.9	2	screw
13	0.900.0961.0	2	nut



0.014.0323.4/50\_2

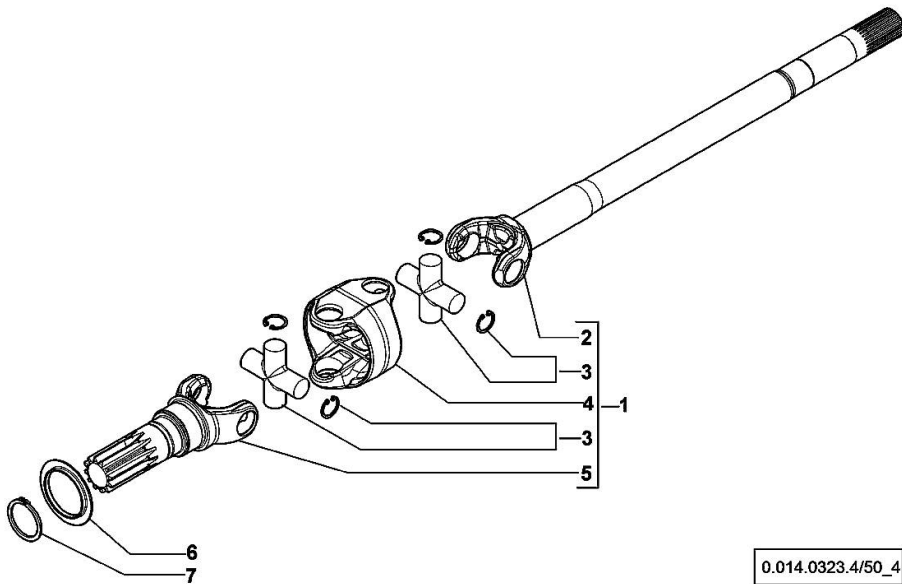
**DIFFERENTIAL**

Fig.	P/n	QTY	Name
1	0.900.0109.4	1	gear
2	0.900.0109.5	2	slewing ring
3	0.900.0109.6	1	pin
4	0.900.0109.7	1	pin Ø 6 x 86
5	0.900.0087.7	8	disc
6	0.900.0087.8	7	disc
7	0.900.0109.8	1	box
8	0.900.0088.0	10	screw m 12 x 35
9	0.900.0088.1	2	screw m 6 x 25
10	0.900.0090.0	1	disc
11	0.900.0088.3	2	pin Ø 12 x 28
12	0.900.0090.1	2	bearing
13	0.900.0109.9	1	ring nut m 94 p.1.5
14	0.900.0088.6	2	bushing
15	0.900.0088.7	1	oil seal
16	0.900.0088.8	1	oil seal
17	0.900.0088.9	1	piston
18	0.900.0089.0	1	disc
19	0.900.0089.1	1	oil seal
20	0.900.0952.0	1	cover - KIT
21	0.900.0089.3	6	screw m 10 x 35
22	0.900.0089.8	2	oil seal
23	0.900.0089.9	1	ring nut m 94 p.1.5



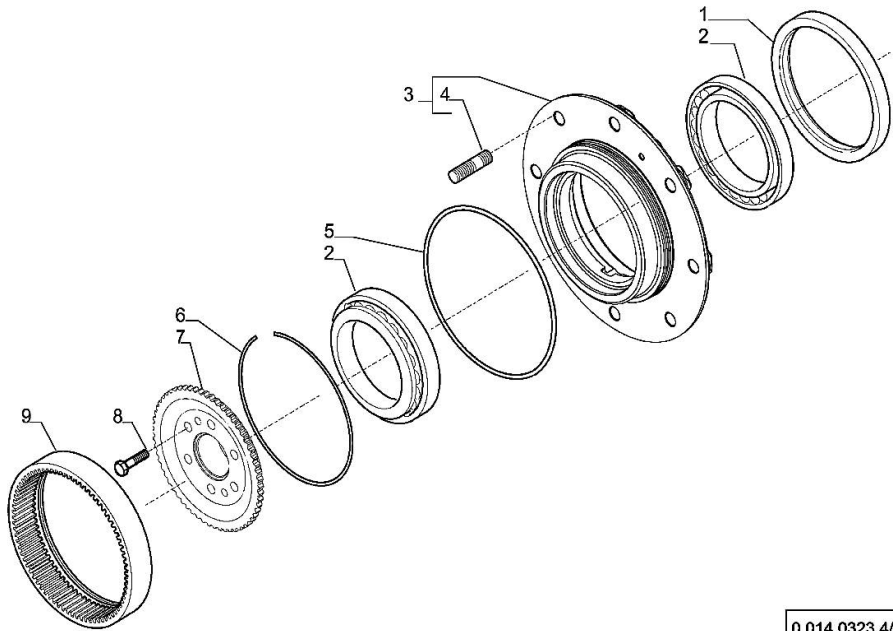
**DOUBLE COUPLING**

Fig.	P/n	QTY	Name
1	0.900.0912.7	1	shaft dx/rh/re
1	0.900.0912.8	1	shaft sx/lh/li
2	0.900.0965.4	1	half-shaft dx/rh/re
2	0.900.0965.5	1	half-shaft sx/lh/li
3	0.900.0572.7	4	universal joint
4	0.900.0110.5	2	box
5	0.900.0110.6	2	gear
6	0.900.0090.9	2	cover
7	0.900.0091.0	2	circlip



**WHEEL HUB**

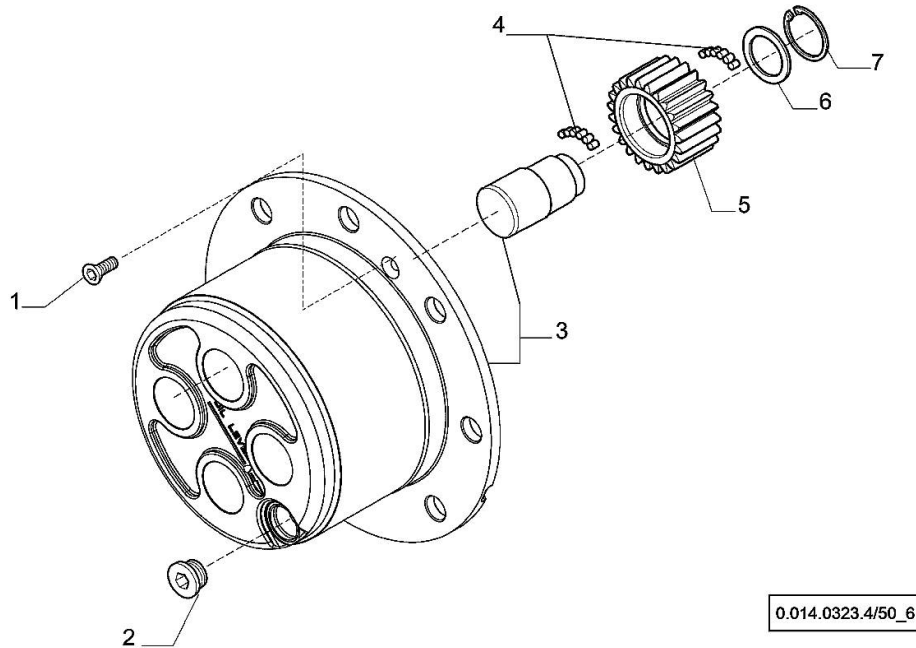
Fig.	P/n	QTY	Name
1	0.900.0091.1	2	oil seal 155x180x14,5
2	0.900.1360.6	4	bearing
3	0.900.0530.9	2	wheel hub
4	0.900.0091.4	8	stud bolt
5	0.900.0091.5	2	oil seal
6	0.900.0091.6	2	circlip
7	0.900.1360.7	2	hub
8	0.900.0091.8	12	screw m 12 x 45
9	0.900.1537.0	2	crown wheel z=60



0.014.0323.4/50\_5

**PLANETARY GEAR**

Fig.	P/n	QTY	Name
1	0.900.0092.0	4	screw m 8 p.1.25 x 20
2	0.900.0092.1	2	plug m 30 p.2
3	0.900.0960.8	2	spider - KIT
4	0.900.0092.3	45	roller
5	0.900.0092.4	8	gear Z = 23
6	0.900.0092.5	8	slewing ring
7	0.900.0092.6	8	circlip



Thank you so much for reading.  
Please click the “Buy Now!”  
button below to download the  
complete manual.



After you pay.

You can download the most  
perfect and complete manual in  
the world immediately.

Our support email:

[ebooklibonline@outlook.com](mailto:ebooklibonline@outlook.com)