

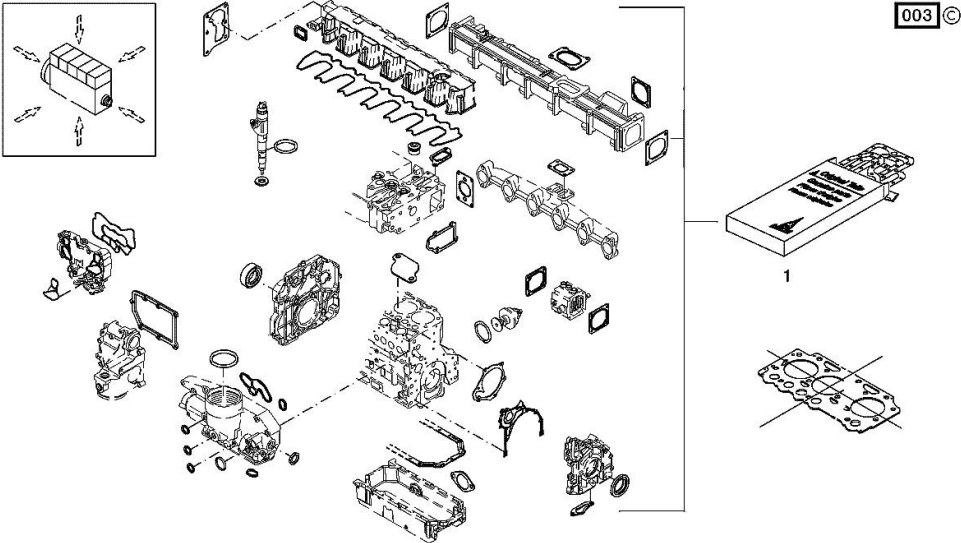
Section: B0 - ENGINE
SERIE GUARNIZIONI

| Fig. | P/n | QTY | Name |
|------|-----|-----|------|
|------|-----|-----|------|

Notes:
[Iron 140 HI-LINE DCR]

Engine serial number:
10599658 10663841 10663846 10663848 10745375 10760723 10768374 10770241 10771079 10777329 10796345
10796347 10796349 10796513

| | | | |
|---|----------|---|--|
| 1 | 02937588 | 1 | gasket set THE KIT DOES NOT CONTAIN ALL THE GASKETS: SEE SM 0199-99-9449 |
|---|----------|---|--|



Section: B0 - ENGINE
BLEEDING TUBE

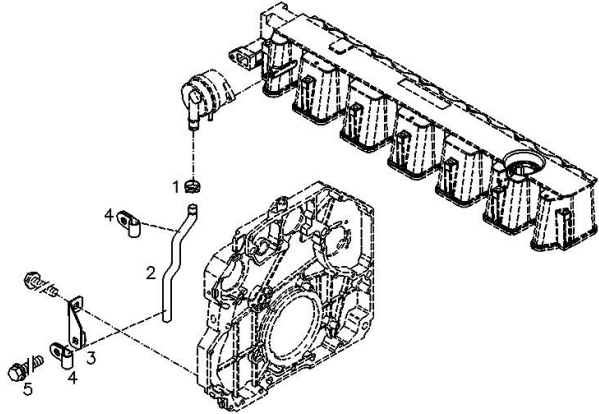
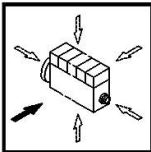
| Fig. | P/n | QTY | Name |
|------|-----|-----|------|
|------|-----|-----|------|

Notes:
[Iron 140 HI-LINE DCR]

Engine serial number:
10599658 10663841 10663846 10663848

| | | | |
|---|----------|---|---|
| 1 | 01178750 | 1 | clamp DIN 3021 -A-29X15 |
| 2 | 04290751 | 1 | tube |
| 3 | 04291288 | 1 | bracket |
| 4 | 01173523 | 2 | fascia DIN 3016 -1-A1-25X20-W1-2 |
| 5 | 01181433 | 2 | screw EN 1662 -F-M8X20-LG2,5-10.9-ZNAL-A |

000 ©



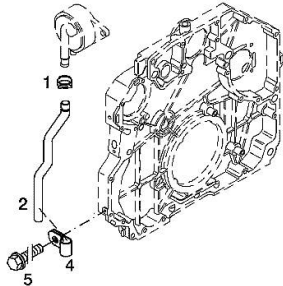
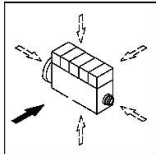
Section: B0 - ENGINE
BLEEDING TUBE

| Fig. | P/n | QTY | Name |
|------|-----|-----|------|
|------|-----|-----|------|

Notes:
[Iron 140 HI-LINE DCR]

Engine serial number:
10745375 10760723 10768374 10770241 10771079 10777329 10796345 10796347 10796349 10796513

| | | | |
|---|----------|---|---|
| 1 | 01178750 | 1 | clamp DIN 3021 -A-29X15 |
| 2 | 04290751 | 1 | tube |
| 4 | 01173523 | 1 | fascia DIN 3016 -1-A1-25X20-W1-2 |
| 5 | 01181433 | 1 | screw EN 1662 -F-M8X20-LG2,5-10.9-ZNAL-A |



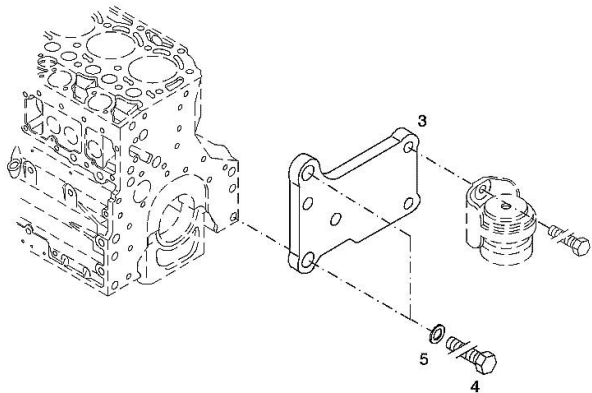
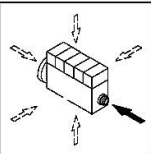
Section: B0 - ENGINE
ACCESSORIES

| Fig. | P/n | QTY | Name |
|------|-----|-----|------|
|------|-----|-----|------|

Notes:
[Iron 140 HI-LINE DCR]

Engine serial number:
10599658 10663841 10663846 10663848 10745375 10760723 10768374 10770241 10771079 10777329 10796345
10796347 10796349 10796513

| | | | |
|---|----------|---|---------------------------------------|
| 3 | 04288659 | 1 | support |
| 4 | 01148261 | 2 | screw ISO 4017 -M16X40-10.9-ZNAL-A |
| 5 | 01181400 | 2 | washer H 2308 -18X25X1,5-A4C |



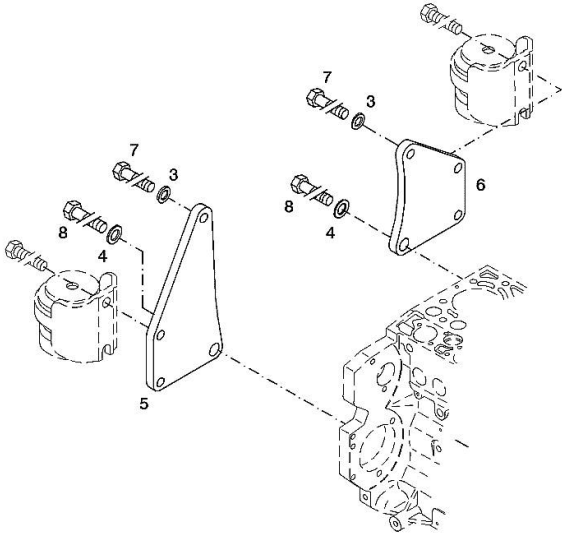
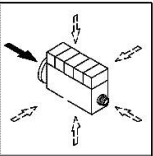
006 ©

Section: B0 - ENGINE
ACCESSORIES

| Fig. | P/n | QTY | Name |
|------|-----|-----|------|
|------|-----|-----|------|

Notes:
[Iron 140 HI-LINE DCR]

Engine serial number:
10599658 10663841 10663846 10663848 10745375 10760723 10768374 10770241 10771079 10777329 10796345
10796347 10796349 10796513



003 ©

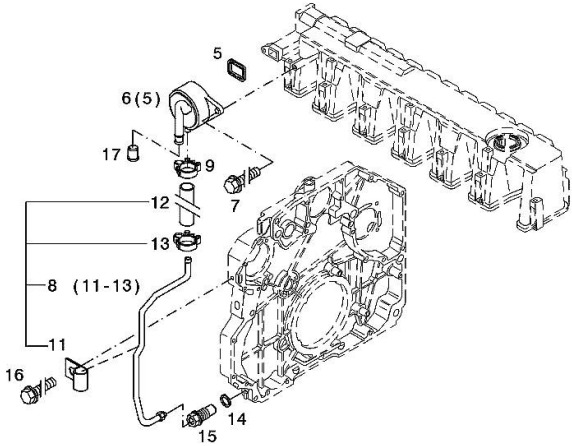
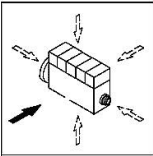
| | | | |
|-----|----------|---|--|
| 3 | 01182016 | 2 | disc H 2308 -13X24X3-ZNAL-A |
| 4 | 01181400 | 2 | washer H 2308 -18X25X1,5-A4C |
| 5 | 04206926 | 1 | plate dx/rh/re |
| 6 | 04206927 | 1 | plate sx/lh/li |
| 7 | 01148137 | 2 | screw - UP TO MONTH OF ASSEMBLY (A) - FROM MONTH OF ASSEMBLY SEE POS. (B) A = 06.2009 B = POS. 950 DIN 931 -M12X75-10.9-ZNAL-A |
| 8 | 01148037 | 2 | screw UP TO MONTH OF ASSEMBLY (A) - FROM MONTH OF ASSEMBLY SEE POS. (B) A = 06.2009 B = POS. 951 ISO 4014 -M16X75-10.9-OELGESCHW |
| 950 | 01149017 | 2 | screw - FROM MONTH OF ASSEMBLY SEE POS. (B) - UP TO MONTH OF ASSEMBLY (A) FROM MONTH OF ASSEMBLY A = 07.2009 B = 7 DIN 34800 -BM12X75-10.9-ZNAL-A |
| 951 | 01180235 | 2 | screw - FROM MONTH OF ASSEMBLY SEE POS. (B) - UP TO MONTH OF ASSEMBLY (A) FROM MONTH OF ASSEMBLY A = 07.2009 B= Pos.8 H 2032 -HBM16X75-10.9-GESCHW |

Section: B0 - ENGINE
CRANKCASE BREATHER

| Fig. | P/n | QTY | Name |
|------|-----|-----|------|
|------|-----|-----|------|

Notes:
[Iron 140 HI-LINE DCR]

Engine serial number:
10599658 10663841 10663846 10663848 10745375 10760723 10768374 10770241 10771079 10777329 10796345
10796347 10796349 10796513



| | | | |
|----|----------|---|--|
| 5 | 04298547 | 1 | rubber plug |
| 6 | 04905110 | 1 | breather WITH POS.... (5) |
| 7 | 01181432 | 2 | screw m8x30 EN 1662 -F-M8X30-10.9-ZNAL-A |
| 8 | 04504876 | 1 | tube WITH POS.... 11-13 |
| 9 | 01182878 | 1 | fascia H 3461 -F-13,0/8 |
| 11 | 02144961 | 1 | fascia |
| 12 | 04288507 | 1 | rubber tube H 3407 -F8X14X57-EAM/ARAMID/EAM |
| 13 | 01182878 | 1 | fascia H 3461 -F-13,0/8 |
| 14 | 01118737 | 1 | oil seal 22 x 27 DIN 7603 -A22X27-CU |
| 15 | 04505853 | 1 | pipe union |
| 16 | 01181442 | 1 | screw m6x12 EN 1662 -F-M6X12-10.9-ZNAL-A |
| 17 | 01161302 | 1 | bottom H 2873 -A25,5X22,8X17-PEWEICH |

Section: B0 - ENGINE
OIL FILLER NECK

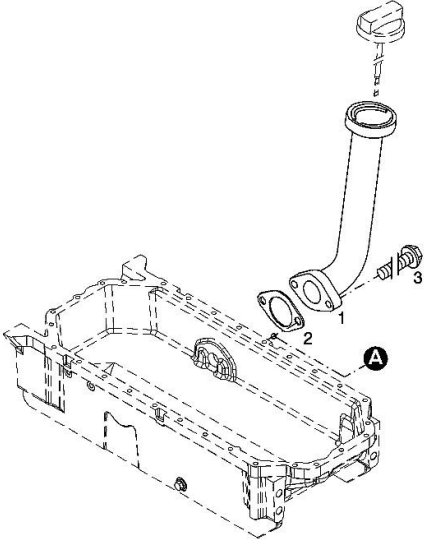
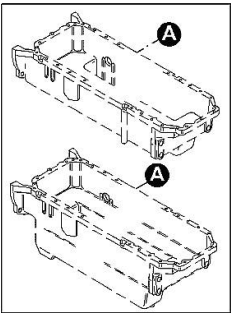
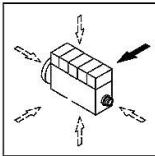
| Fig. | P/n | QTY | Name |
|------|-----|-----|------|
|------|-----|-----|------|

Notes:
[Iron 140 HI-LINE DCR]

Engine serial number:
10599658 10663841 10663846 10663848 10745375 10760723 10768374 10770241 10771079 10777329 10796345
10796347 10796349 10796513

| | | | |
|---|----------|---|--------|
| 1 | 04207099 | 1 | tube |
| 2 | 01178421 | 1 | gasket |
| 3 | 01181433 | 2 | screw |
| | | | 30 Nm |

001 ©



Section: B0 - ENGINE
ACCESSORIES

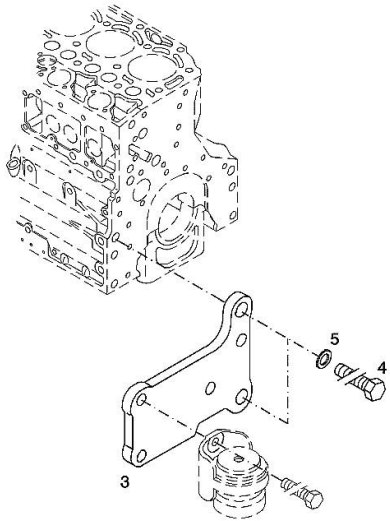
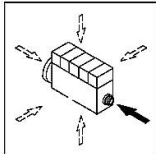
| Fig. | P/n | QTY | Name |
|------|-----|-----|------|
|------|-----|-----|------|

Notes:
[Iron 140 HI-LINE DCR]

Engine serial number:
10599658 10663841 10663846 10663848 10745375 10760723 10768374 10770241 10771079 10777329 10796345
10796347 10796349 10796513

| | | | |
|---|----------|---|---------------------------------------|
| 3 | 04288660 | 1 | support |
| 4 | 01148261 | 2 | screw ISO 4017 -M16X40-10.9-ZNAL-A |
| 5 | 01181400 | 2 | washer H 2308 -18X25X1,5-A4C |

003 ©



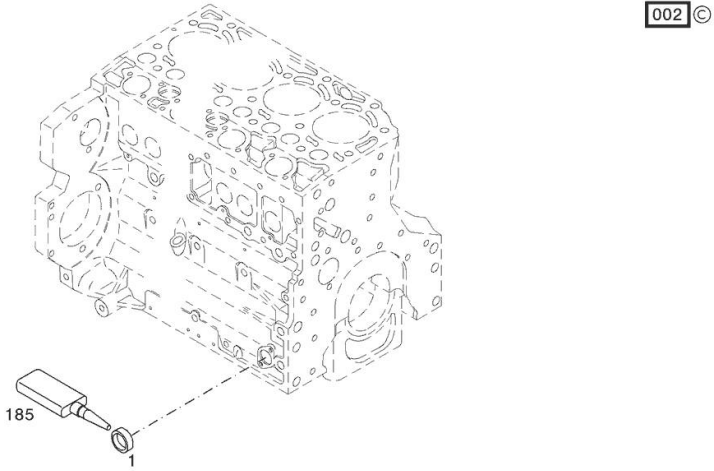
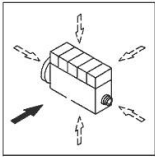
PLUG

| Fig. | P/n | QTY | Name |
|------|-----|-----|------|
|------|-----|-----|------|

Notes:

[Iron 140 HI-LINE DCR]

| | | | |
|-----|----------|---|----------------------------|
| 1 | 01148031 | 1 | plug DIN 443 -A36-ZNPHR |
| 185 | 01319911 | 1 | sealing compound ml. 50 |



PISTON COOL.NOZZLE

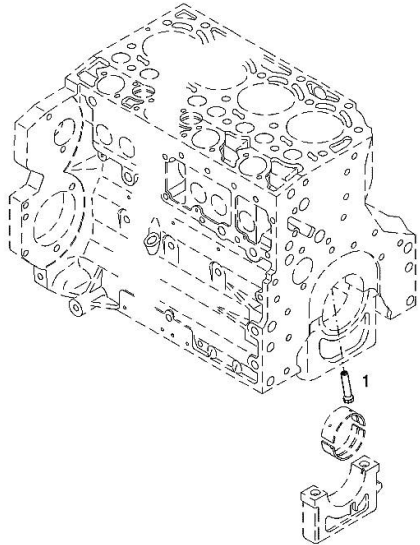
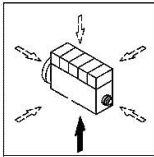
| Fig. | P/n | QTY | Name |
|------|-----|-----|------|
|------|-----|-----|------|

Notes:
[Iron 140 HI-LINE DCR]

Engine serial number:
10599658 10663841 10663846 10663848 10745375 10760723 10768374 10770241 10771079 10777329 10796345
10796347 10796349 10796513

| | | | |
|---|----------|---|----------|
| 1 | 04207521 | 1 | sprayers |
|---|----------|---|----------|

001 ©

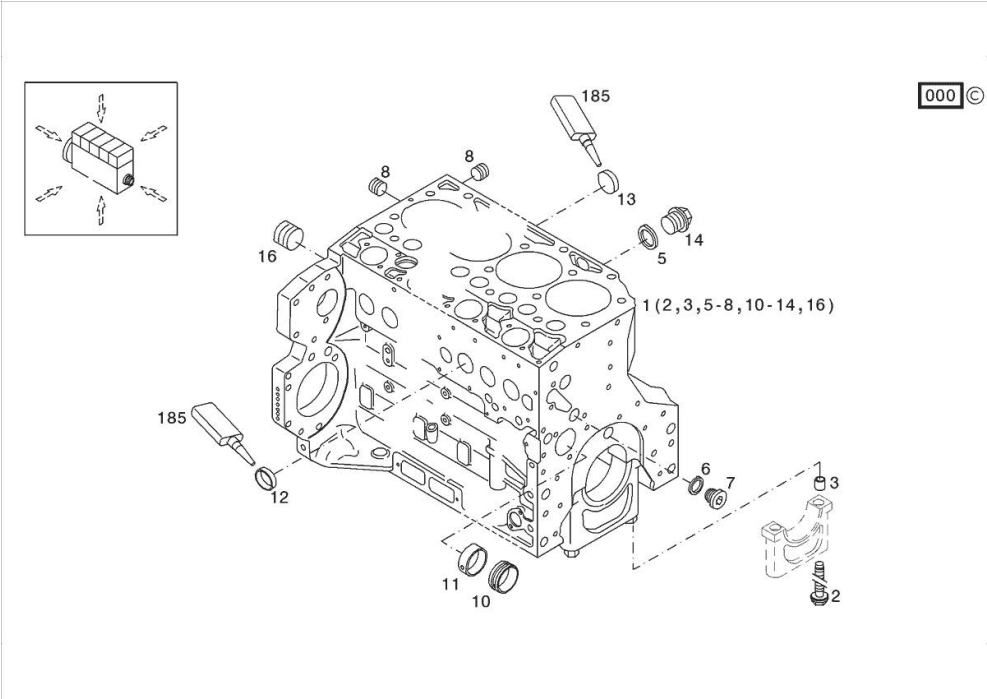


Section: B0 - ENGINE
KURBELGEHAEUSE

| Fig. | P/n | QTY | Name |
|------|-----|-----|------|
|------|-----|-----|------|

Notes:
[Iron 140 HI-LINE DCR]

Engine serial number:
10599658 10663841 10663846 10663848 10745375 10760723 10768374 10770241 10771079 10777329 10796345
10796347 10796349 10796513



| | | | |
|-----|----------|----|--|
| 185 | 01319910 | 1 | guard |
| 1 | 04296586 | 1 | crankcase kpl. MIT POS.... WITH ITEM.... (2,3,5-8,10-14,16) |
| 2 | 04254240 | 14 | screw 50 Nm , 90° , 90° |
| 3 | 04160764 | 14 | bushing |
| 5 | 01118693 | 2 | gasket 14x20 DIN 7603 -A14X20-CU |
| 6 | 01101342 | 1 | oil seal DIN 7603 -D22X27-CU |
| 7 | 04292706 | 1 | plug 80 Nm |
| 8 | 01182031 | 2 | screw 35 Nm H 2812 -906-M14X1,5-ST-A3C-LOCTITE506 |
| 10 | 04251884 | 6 | plug |
| 11 | 04250086 | 1 | ring |
| 12 | 01148032 | 9 | cover DIN 443 -A45-ZNPHR |
| 13 | 01148031 | 6 | plug DIN 443 -A36-ZNPHR |
| 14 | 01100940 | 2 | screw 35 Nm DIN 7604 -AM14X1,5-ST-A4C |
| 16 | 04226536 | 1 | bottom 30 Nm |

FILLER CAP

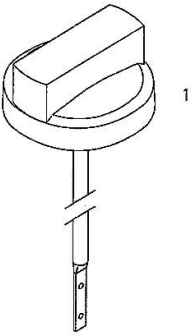
| Fig. | P/n | QTY | Name |
|------|-----|-----|------|
|------|-----|-----|------|

Notes:
[Iron 140 HI-LINE DCR]

Engine serial number:
10599658 10663841 10663846 10663848 10745375 10760723 10768374 10770241 10771079 10777329 10796345
10796347 10796349 10796513

| | | | |
|---|----------|---|--------------------------------------|
| 1 | 01180341 | 1 | plug H 2875 -B2-OL40-166X4X145X15 |
|---|----------|---|--------------------------------------|

000

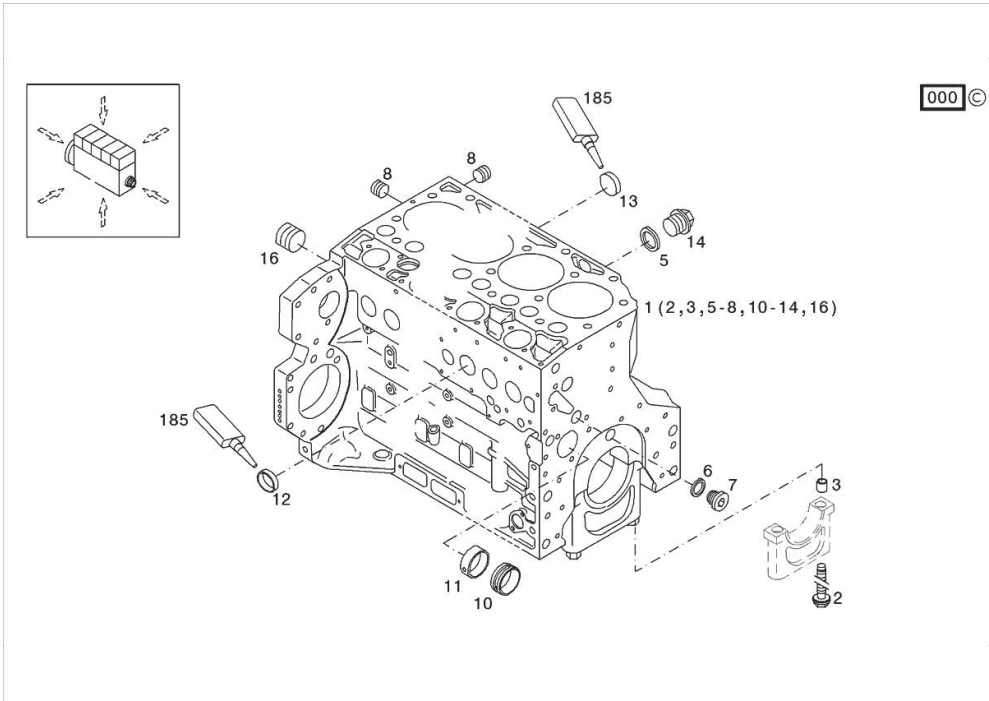


Section: B0 - ENGINE
KURBELGEHAEUSE

| Fig. | P/n | QTY | Name |
|------|-----|-----|------|
|------|-----|-----|------|

Notes:
[Iron 140 HI-LINE DCR]

| | | | |
|-----|----------|----|---|
| 185 | 01319910 | 1 | guard |
| 1 | 04506856 | 1 | crankcase MIT POS.... (2,3,5-8,10-14,16) |
| 2 | 04254240 | 14 | screw 50 Nm , 90° , 90° |
| 3 | 04160764 | 14 | bushing |
| 5 | 01118693 | 2 | gasket 14x20 DIN 7603 -A14X20-CU |
| 6 | 01101342 | 1 | oil seal DIN 7603 -D22X27-CU |
| 7 | 04292706 | 1 | plug 80 Nm |
| 8 | 01182031 | 2 | screw 35 Nm H 2812 -906-M14X1,5-ST-A3C-LOCTITE506 |
| 10 | 04251884 | 6 | plug |
| 11 | 04250086 | 1 | ring |
| 12 | 01148032 | 9 | cover DIN 443 -A45-ZNPHR |
| 13 | 01148031 | 6 | plug DIN 443 -A36-ZNPHR |
| 14 | 01100940 | 2 | screw 35 Nm DIN 7604 -AM14X1,5-ST-A4C |
| 16 | 04226536 | 1 | bottom 30 Nm |

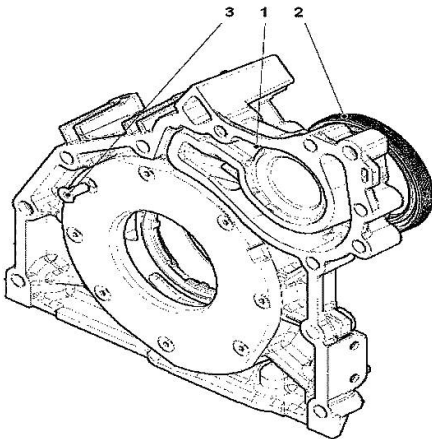


FLANGE

| Fig. | P/n | QTY | Name |
|------|-----|-----|------|
|------|-----|-----|------|

Notes:
 [Iron 140 HI-LINE DCR]

| | | | |
|---|----------|---|--|
| 1 | 04502445 | 1 | oil pump WITH POS.... (2,3) |
| 2 | 04502202 | 1 | special oil seal |
| 3 | 01133718 | 8 | screw 8.5 Nm DIN 7991 -M6X16-8.8-A4C |



000

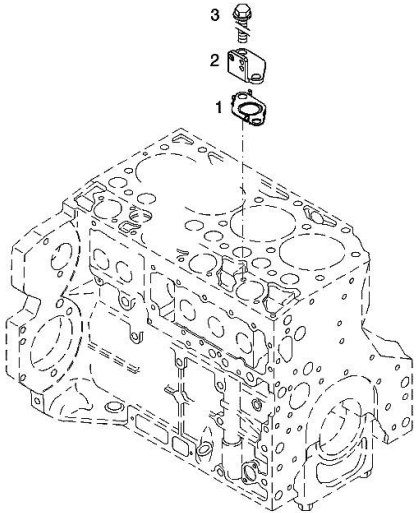
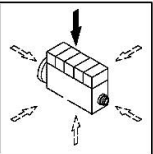
CLOSING COMPONENTS

| Fig. | P/n | QTY | Name |
|------|-----|-----|------|
|------|-----|-----|------|

Notes:
[Iron 140 HI-LINE DCR]

Engine serial number:
10599658 10663841 10663846 10663848 10745375 10760723 10768374 10770241 10771079 10777329 10796345
10796347 10796349 10796513

| | | | |
|---|----------|---|------------------------------------|
| 1 | 04292757 | 1 | gasket |
| 2 | 04292113 | 1 | bracket |
| 3 | 01181436 | 2 | screw |
| | | | EN 1662 -F-M8X16-LG2,5-10.9-ZNAL-A |



000 ©

Thank you so much for reading.
Please click the “Buy Now!”
button below to download the
complete manual.



After you pay.

You can download the most
perfect and complete manual in
the world immediately.

Our support email:

ebooklibonline@outlook.com