

IRON 150 CONTINUO DCR

Section: G0 - BODYWORK - CAB

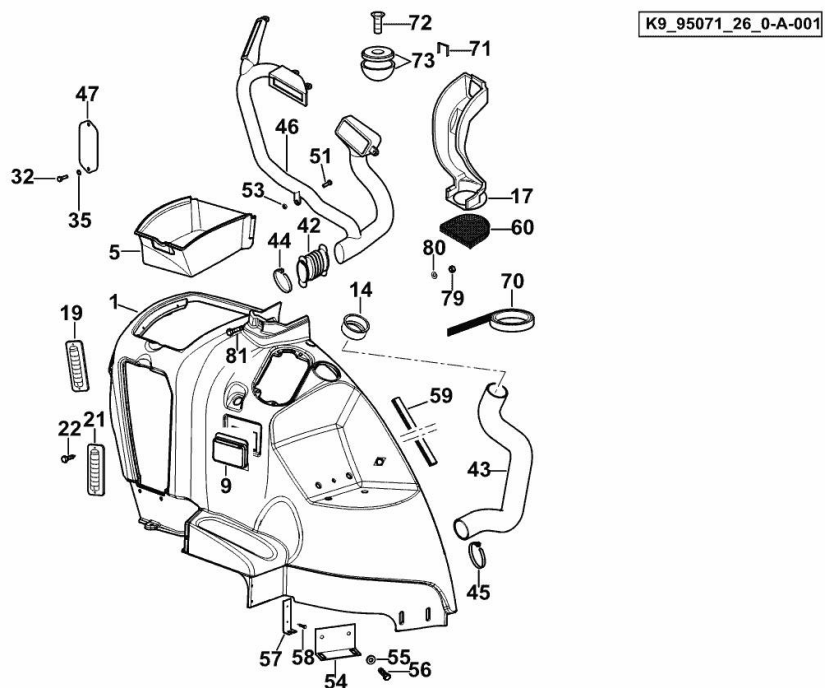
Ref: G0.06.18 (1)

CONTROL CONSOLE SX/LH/LI

| Fig. | P/n | QTY | Name |
|------|-----|-----|------|
|------|-----|-----|------|

Notes:

[IRON 150 CONTINUO DCR] 10022 <-



|    |                 |    |                      |
|----|-----------------|----|----------------------|
| 1  | 0.018.6967.4/10 | 1  | console sx/lh/li     |
| 5  | 04429274/10     | 1  | glove pocket         |
| 9  | 04412336        | 1  | ashtray              |
| 14 | 04431564        | 1  | pipe fitting         |
| 17 | 04451226        | 1  | canal sx/lh/li       |
| 19 | 04411423        | 1  | mixer                |
| 21 | 04429278/10     | 1  | mixer                |
| 22 | 04426906        | 9  | screw 4.2x16         |
| 32 | 2.0350.253.3    | 9  | screw m 3.5 x 9.5 AB |
| 35 | 01119810        | 9  | washer 6.4           |
| 42 | 0.011.5581.0    | 1  | boot                 |
| 43 | 04431843        | 1  | flexible hose        |
| 44 | 2.6852.203.0    | 1  | clamp 292 x 4.8      |
| 45 | 01137413        | 1  | fascia Ø 32/50       |
| 46 | 04429710/10     | 1  | air shaft            |
| 47 | 0.011.3788.0    | 1  | plate                |
| 51 | 2.0114.011.2    | 1  | screw m 6 p,1x30     |
| 53 | 04426353        | 4  | rivet                |
| 54 | 04429870        | 1  | support              |
| 55 | 2.0114.209.2    | 2  | screw m 8 x 25       |
| 56 | 2.1549.599.2    | 2  | washer 9x30x3        |
| 57 | 04429758        | 1  | support              |
| 58 | 01127683        | 2  | screw m 4.2x13       |
| 59 | 04418723        | 1  | profile              |
| 60 | 0.011.5949.0    | 1  | protective mesh      |
| 70 | 01171694        | 2  | clamp 172X4.6        |
| 71 | 04450845        | 20 | brace                |
| 72 | 2.0342.207.6    | 1  | screw m 6 p.1 x 25   |
| 73 | 04419538        | 1  | cap                  |
| 79 | 2.1120.003.2    | 2  | self-locking nut m 6 |
| 80 | 06214189        | 2  | washer 6.4           |
| 81 | 2.0114.211.2    | 1  | screw m 8 x 30       |

IRON 150 CONTINUO DCR

Section: G0 - BODYWORK - CAB

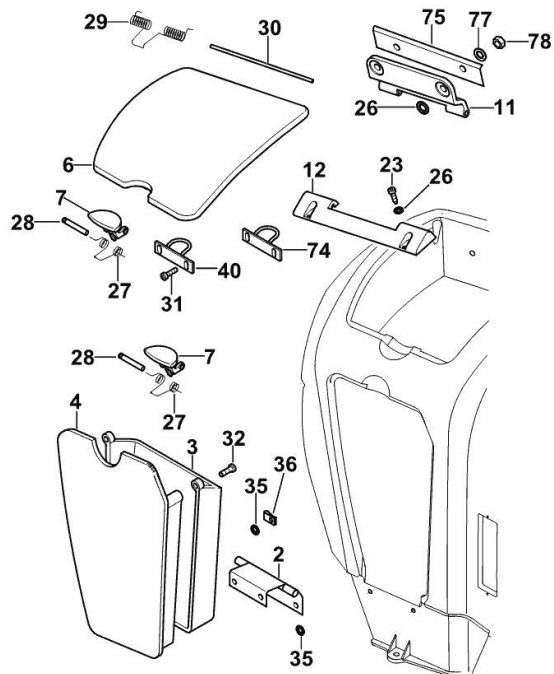
Ref: G0.06.19 (1)

CONTROL CONSOLE SX/LH/LI

| Fig. | P/n | QTY | Name |
|------|-----|-----|------|
|------|-----|-----|------|

Notes:

[IRON 150 CONTINUO DCR] 10022 <-



|    |                 |   |                      |
|----|-----------------|---|----------------------|
| 2  | 0.010.9992.2    | 1 | hinge                |
| 3  | 04429198        | 1 | glove pocket         |
| 4  | 04429199        | 1 | cover                |
| 6  | 04429286        | 1 | cover                |
| 7  | 0.010.9955.0/10 | 2 | handle               |
| 11 | 0.010.9987.0    | 1 | hinge                |
| 12 | 0.010.9988.0/10 | 1 | hinge                |
| 23 | 04419646        | 4 | self tapping screw   |
| 26 | 2.1310.028.2    | 4 | flat washer          |
| 27 | 2.4099.120.3/10 | 2 | spring               |
| 28 | 2.1699.510.2    | 2 | pin                  |
| 29 | 2.4099.135.2    | 1 | spring               |
| 30 | 2.1659.520.3    | 1 | pin                  |
| 31 | 04412976        | 4 | screw 4.8x19         |
| 32 | 2.0350.253.3    | 9 | screw m 3.5 x 9.5 AB |
| 35 | 01119810        | 9 | washer 6.4           |
| 36 | 2.6999.064.6    | 2 | special nut m 6      |
| 40 | 04429682        | 1 | support              |
| 74 | 04429203        | 1 | support              |
| 75 | 04451325        | 1 | support              |
| 77 | 2.1310.002.2    | 2 | flat washer 6.4x12.5 |
| 78 | 2.1120.003.2    | 7 | self-locking nut m 6 |

K9\_95071\_26\_0-B-001

IRON 150 CONTINUO DCR

Section: G0 - BODYWORK - CAB

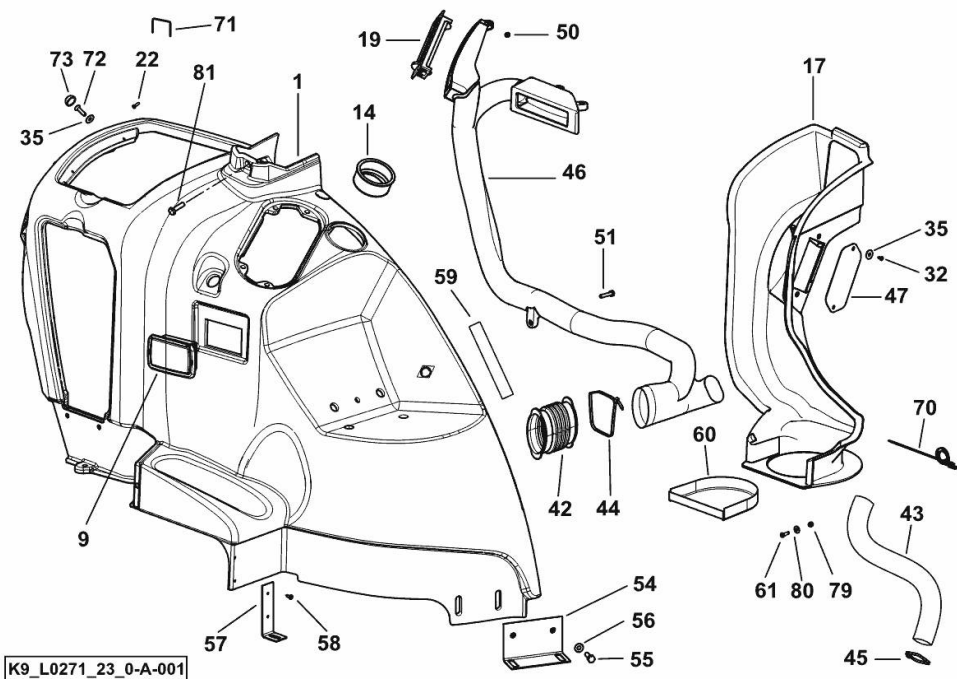
Ref: G0.06.20 (1)

CONTROL CONSOLE - SX/LH/LI

| Fig. | P/n | QTY | Name |
|------|-----|-----|------|
|------|-----|-----|------|

Notes:

[IRON 150 CONTINUO DCR] -> 10023 - 10033 <-



|    |                 |    |                      |
|----|-----------------|----|----------------------|
| 1  | 0.016.7006.2/10 | 1  | console              |
| 9  | 04412336        | 1  | ashtray              |
| 14 | 04431564        | 1  | pipe fitting         |
| 17 | 04451226        | 1  | canal sx/lh/li       |
| 19 | 04411423        | 1  | mixer                |
| 22 | 04426906        | 9  | screw 4.2x16         |
| 32 | 2.0350.253.3    | 9  | screw m 3.5 x 9.5 AB |
| 35 | 01119810        | 9  | washer 6.4           |
| 42 | 0.011.5581.0    | 1  | boot                 |
| 43 | 04431843        | 1  | flexible hose        |
| 44 | 2.6852.203.0    | 1  | clamp 292 x 4.8      |
| 45 | 01137413        | 1  | fascia Ø 32/50       |
| 46 | 04429710/10     | 1  | air shaft            |
| 47 | 0.011.3788.0    | 1  | plate                |
| 50 | 2.1120.003.2    | 3  | self-locking nut m 6 |
| 51 | 2.0114.011.2    | 1  | screw m 6 p,1x30     |
| 54 | 04429870        | 1  | support ( 10028 <- ) |
| 54 | 0.018.8661.3    | 1  | support ( -> 10029 ) |
| 55 | 2.0114.209.2    | 2  | screw m 8 x 25       |
| 56 | 01138374        | 2  | washer 8,4x21x4      |
| 57 | 04429758        | 1  | support              |
| 58 | 01127683        | 2  | screw m 4.2x13       |
| 59 | 04418723        | 1  | profile              |
| 60 | 0.011.5949.0    | 1  | protective mesh      |
| 61 | 2.0114.007.2    | 2  | screw m 6 p.1 x 20   |
| 70 | 01171694        | 2  | clamp 172X4.6        |
| 71 | 04450845        | 20 | brace                |
| 72 | 2.0342.207.6    | 1  | screw m 6 p.1 x 25   |
| 73 | 04419538        | 1  | cap                  |
| 79 | 2.1120.003.2    | 2  | self-locking nut m 6 |
| 80 | 06214189        | 2  | washer 6.4           |
| 81 | 2.0114.211.2    | 1  | screw m 8 x 30       |

IRON 150 CONTINUO DCR

Section: G0 - BODYWORK - CAB

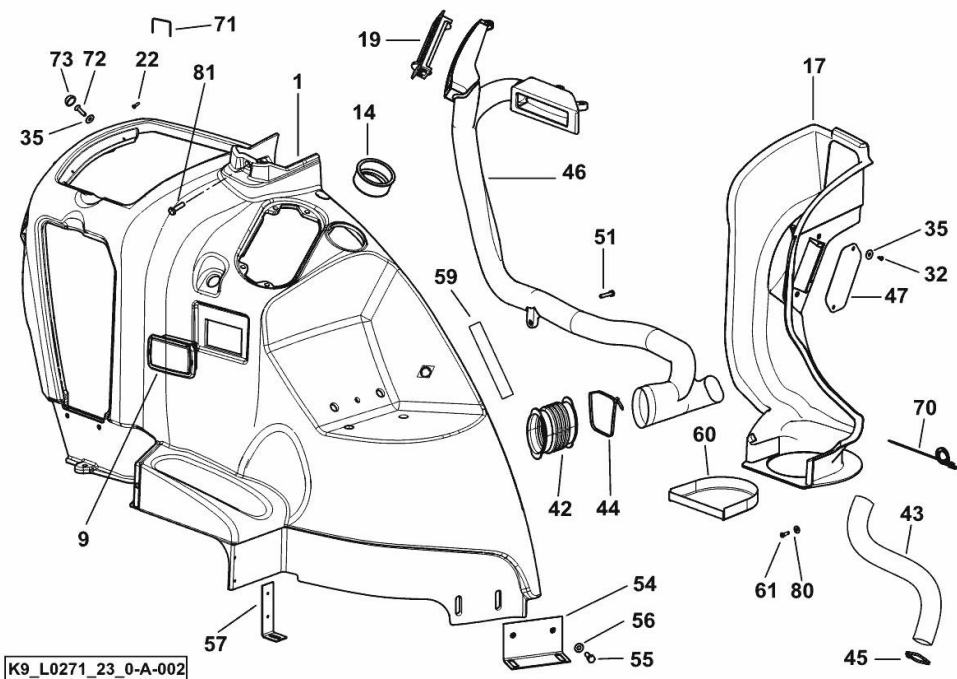
Ref: G0.06.20 (2)

**CONTROL CONSOLE - SX/LH/LI**

| Fig. | P/n | QTY | Name |
|------|-----|-----|------|
|------|-----|-----|------|

**Notes:**

[IRON 150 CONTINUO DCR] -> 10034



|    |                 |    |                      |
|----|-----------------|----|----------------------|
| 1  | 0.018.6967.4/10 | 1  | console sx/lh/li     |
| 9  | 04412336        | 1  | ashtray              |
| 14 | 04431564        | 1  | pipe fitting         |
| 17 | 04451226        | 1  | canal sx/lh/li       |
| 19 | 04411423        | 1  | mixer                |
| 22 | 04426906        | 9  | screw 4.2x16         |
| 32 | 2.0350.253.3    | 9  | screw m 3.5 x 9.5 AB |
| 35 | 01119810        | 9  | washer 6.4           |
| 42 | 0.011.5581.0    | 1  | boot                 |
| 43 | 04431843        | 1  | flexible hose        |
| 44 | 2.6852.203.0    | 1  | clamp 292 x 4.8      |
| 45 | 01137413        | 1  | fascia Ø 32/50       |
| 46 | 04429710/10     | 1  | air shaft            |
| 47 | 0.011.3788.0    | 1  | plate                |
| 51 | 2.0114.011.2    | 1  | screw m 6 p.1x30     |
| 54 | 04429870        | 1  | support              |
| 55 | 2.0114.209.2    | 2  | screw m 8 x 25       |
| 56 | 2.1549.599.2    | 2  | washer 9x30x3        |
| 57 | 04429758        | 1  | support              |
| 59 | 04418723        | 1  | profile              |
| 60 | 0.011.5949.0    | 1  | protective mesh      |
| 61 | 2.0114.007.2    | 2  | screw m 6 p.1 x 20   |
| 70 | 01171694        | 2  | clamp 172X4.6        |
| 71 | 04450845        | 20 | brace                |
| 72 | 2.0342.207.6    | 1  | screw m 6 p.1 x 25   |
| 73 | 04419538        | 1  | cap                  |
| 80 | 06214189        | 2  | washer 6.4           |
| 81 | 2.0114.211.2    | 1  | screw m 8 x 30       |

IRON 150 CONTINUO DCR

Section: G0 - BODYWORK - CAB

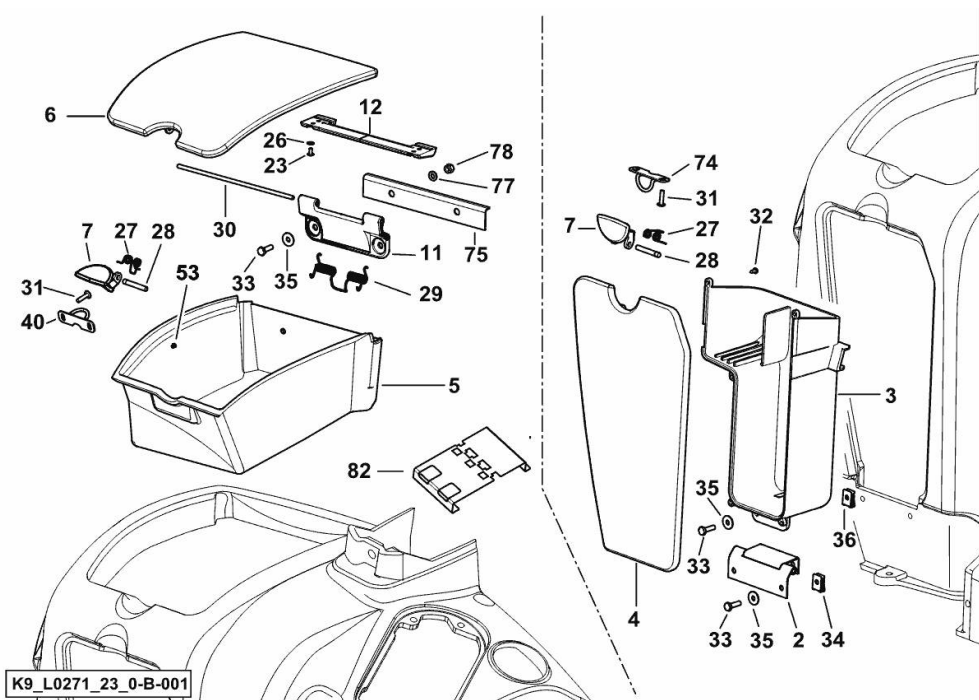
Ref: G0.06.21 (1)

CONTROL CONSOLE - SX/LH/LI

| Fig. | P/n | QTY | Name |
|------|-----|-----|------|
|------|-----|-----|------|

Notes:

[IRON 150 CONTINUO DCR] -> 10023 - 10033 <-



K9\_L0271\_23\_0-B-001

|    |                 |   |                      |
|----|-----------------|---|----------------------|
| 2  | 0.010.9992.2    | 1 | hinge                |
| 3  | 04429198        | 1 | glove pocket         |
| 4  | 04429199        | 1 | cover                |
| 5  | 04429274/10     | 1 | glove pocket         |
| 6  | 04429286        | 1 | cover                |
| 7  | 0.010.9955.0    | 2 | handle               |
| 11 | 0.010.9987.0    | 1 | hinge                |
| 12 | 0.010.9988.0/10 | 1 | hinge                |
| 23 | 04419646        | 4 | self tapping screw   |
| 26 | 2.1310.028.2    | 4 | flat washer          |
| 27 | 2.4099.120.3/10 | 2 | spring               |
| 28 | 2.1699.510.2    | 2 | pin                  |
| 29 | 2.4099.135.2    | 1 | spring               |
| 30 | 2.1659.520.3    | 1 | pin                  |
| 31 | 04412976        | 4 | screw 4.8x19         |
| 32 | 2.0350.253.3    | 9 | screw m 3.5 x 9.5 AB |
| 33 | 2.0114.007.2    | 8 | screw m 6 p.1 x 20   |
| 34 | 04429941        | 4 | special nut          |
| 35 | 01119810        | 9 | washer 6.4           |
| 36 | 2.6999.064.6    | 2 | special nut m 6      |
| 40 | 04429682        | 1 | support              |
| 53 | 04426353        | 4 | rivet                |
| 74 | 04429203        | 1 | support              |
| 75 | 04451325        | 1 | support              |
| 77 | 2.1310.002.2    | 2 | flat washer 6.4x12.5 |
| 78 | 2.1120.003.2    | 2 | self-locking nut m 6 |
| 82 | 0.017.0773.0/10 | 1 | support              |

IRON 150 CONTINUO DCR

Section: G0 - BODYWORK - CAB

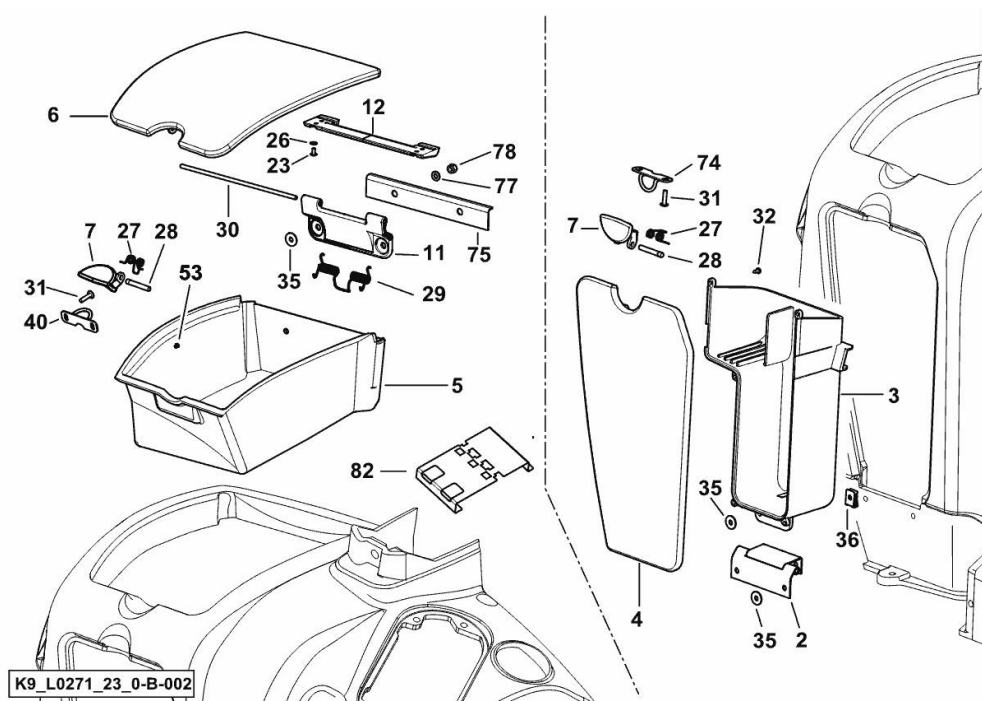
Ref: G0.06.21 (2)

CONTROL CONSOLE - SX/LH/LI

| Fig. | P/n | QTY | Name |
|------|-----|-----|------|
|------|-----|-----|------|

Notes:

[IRON 150 CONTINUO DCR] -> 10034



|    |                 |   |                      |
|----|-----------------|---|----------------------|
| 2  | 0.010.9992.2    | 1 | hinge                |
| 3  | 04429198        | 1 | glove pocket         |
| 4  | 04429199        | 1 | cover                |
| 5  | 04429274/10     | 1 | glove pocket         |
| 6  | 04429286        | 1 | cover                |
| 7  | 0.010.9955.0/10 | 2 | handle               |
| 11 | 0.010.9987.0    | 1 | hinge                |
| 12 | 0.010.9988.0/10 | 1 | hinge                |
| 23 | 04419646        | 4 | self tapping screw   |
| 26 | 2.1310.028.2    | 4 | flat washer          |
| 27 | 2.4099.120.3/10 | 2 | spring               |
| 28 | 2.1699.510.2    | 2 | pin                  |
| 29 | 2.4099.135.2    | 1 | spring               |
| 30 | 2.1659.520.3    | 1 | pin                  |
| 31 | 04412976        | 4 | screw 4.8x19         |
| 32 | 2.0350.253.3    | 9 | screw m 3.5 x 9.5 AB |
| 35 | 01119810        | 9 | washer 6.4           |
| 36 | 2.6999.064.6    | 2 | special nut m 6      |
| 40 | 04429682        | 1 | support              |
| 53 | 04426353        | 4 | rivet                |
| 74 | 04429203        | 1 | support              |
| 75 | 04451325        | 1 | support              |
| 77 | 2.1310.002.2    | 2 | flat washer 6.4x12.5 |
| 78 | 2.1120.003.2    | 7 | self-locking nut m 6 |
| 82 | 0.017.0773.0/10 | 1 | support              |

IRON 150 CONTINUO DCR

Section: G0 - BODYWORK - CAB

Ref: G0.06.22 (1)

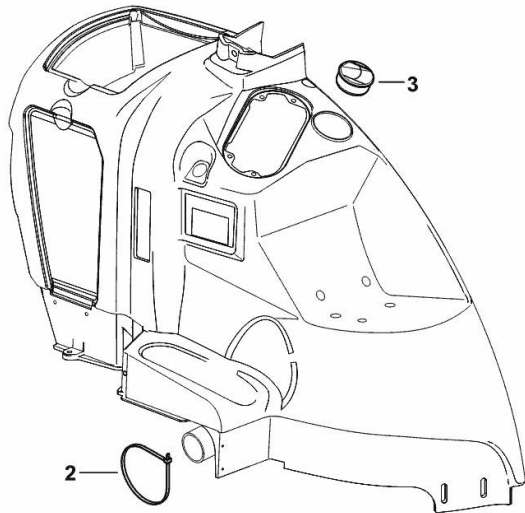
**CONTROL CONSOLE SX/LH/LI**

| Fig. | P/n | QTY | Name |
|------|-----|-----|------|
|------|-----|-----|------|

**Notes:**

[IRON 150 CONTINUO DCR]

|   |              |   |                 |
|---|--------------|---|-----------------|
| 2 | 2.6852.203.0 | 1 | clamp 292 x 4.8 |
| 3 | 04428870     | 2 | mixer           |



K9\_J2971\_43\_0-B-001

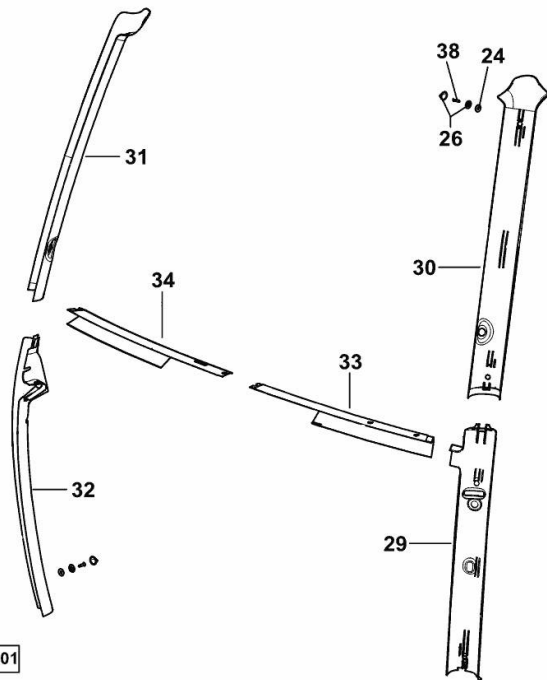
**INTERNAL CAB LININGS**

| Fig. | P/n | QTY | Name |
|------|-----|-----|------|
|------|-----|-----|------|

**Notes:**

[IRON 150 CONTINUO DCR] 10010 <-

|    |              |    |                 |
|----|--------------|----|-----------------|
| 24 | 2.1312.003.2 | 12 | washer 6        |
| 26 | 04419538     | 12 | cap             |
| 29 | 04418683     | 1  | lining sx/lh/li |
| 30 | 0.015.4072.0 | 1  | lining sx/lh/li |
| 31 | 0.015.4076.0 | 1  | lining dx/rh/re |
| 32 | 04418685     | 1  | lining dx/rh/re |
| 33 | 04436094     | 1  | lining sx/lh/li |
| 34 | 04436095     | 1  | lining dx/rh/re |
| 38 | 2.0351.559.3 | 8  | screw m 4.8x32  |



K9\_J6671\_33\_0-B-001



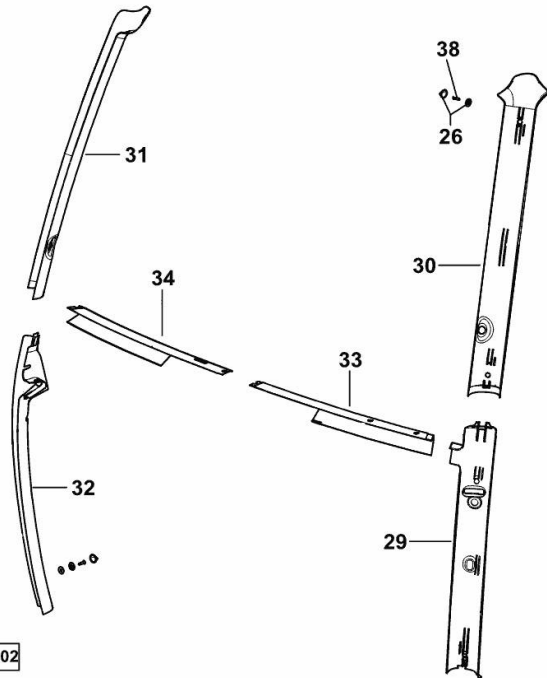
**INTERNAL CAB LININGS**

| Fig. | P/n | QTY | Name |
|------|-----|-----|------|
|------|-----|-----|------|

**Notes:**

[IRON 150 CONTINUO DCR] -> 10011 - 10022 <-

|    |              |    |                 |
|----|--------------|----|-----------------|
| 26 | 04419538     | 12 | cap             |
| 29 | 04418683     | 1  | lining sx/lh/li |
| 30 | 0.015.4072.0 | 1  | lining sx/lh/li |
| 31 | 0.015.4076.0 | 1  | lining dx/rh/re |
| 32 | 04418685     | 1  | lining dx/rh/re |
| 33 | 04436094     | 1  | lining sx/lh/li |
| 34 | 04436095     | 1  | lining dx/rh/re |
| 38 | 2.0351.559.3 | 8  | screw m 4.8x32  |



K9\_J6671\_33\_0-B-002

IRON 150 CONTINUO DCR

Section: G0 - BODYWORK - CAB

Ref: G0.06.24 (1)

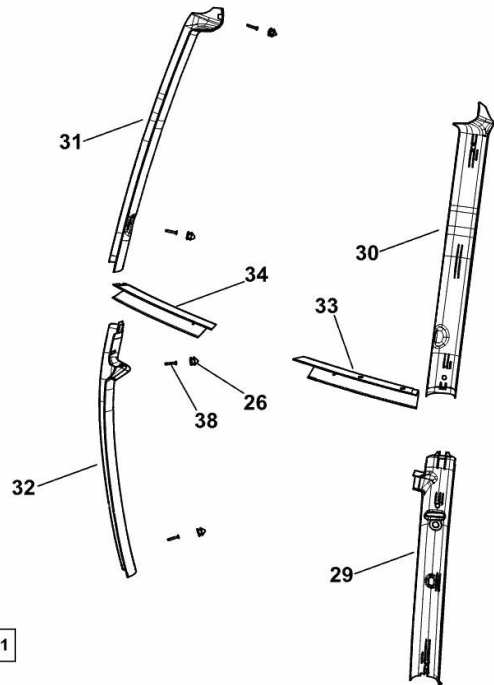
**INTERNAL CAB LININGS SX/LH/LI - DX/RH/RE**

| Fig. | P/n | QTY | Name |
|------|-----|-----|------|
|------|-----|-----|------|

**Notes:**

[IRON 150 CONTINUO DCR] -> 10023 <- FOR TYPES WITH FIXED FRONT WINDSCREEN [IRON 150 CONTINUO DCR] -> 10024 - 10039 <-

|    |                 |   |                |
|----|-----------------|---|----------------|
| 26 | 04419538        | 8 | cap            |
| 29 | 0.016.4293.0    | 1 | cover sx/lh/li |
| 30 | 0.016.4287.0/10 | 1 | cover sx/lh/li |
| 31 | 0.016.4290.0/10 | 1 | cover dx/rh/re |
| 32 | 0.017.0363.0    | 1 | cover dx/rh/re |
| 33 | 0.016.4299.0    | 1 | cover sx/lh/li |
| 34 | 0.016.4298.0    | 1 | cover dx/rh/re |
| 38 | 2.0351.559.3    | 8 | screw m 4.8x32 |



K9\_R5171\_20\_0-A-001

IRON 150 CONTINUO DCR

Section: G0 - BODYWORK - CAB

Ref: G0.06.24 (2)

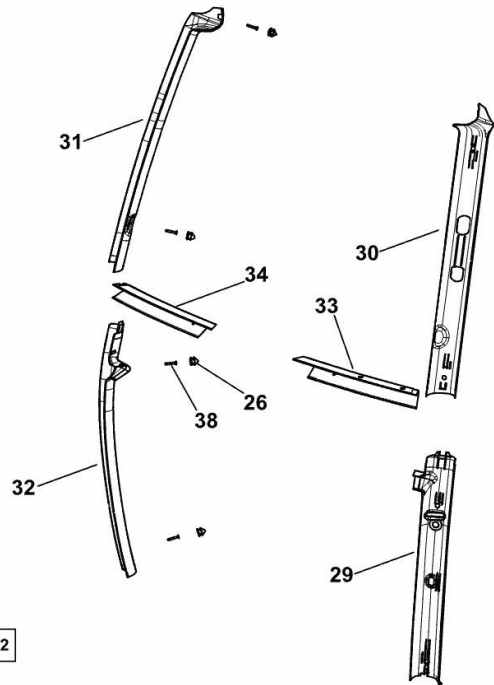
**INTERNAL CAB LININGS SX/LH/LI - DX/RH/RE**

| Fig. | P/n | QTY | Name |
|------|-----|-----|------|
|------|-----|-----|------|

**Notes:**

FOR TYPES WITH FIXED FRONT WINDSCREEN [IRON 150 CONTINUO DCR]

|    |                 |   |                |
|----|-----------------|---|----------------|
| 26 | 04419538        | 8 | cap            |
| 29 | 0.016.4293.0    | 1 | cover sx/lh/li |
| 30 | 0.016.4287.0/20 | 1 | cover sx/lh/li |
| 31 | 0.016.4290.0/10 | 1 | cover dx/rh/re |
| 32 | 0.017.0363.0    | 1 | cover dx/rh/re |
| 33 | 0.016.4299.0    | 1 | cover sx/lh/li |
| 34 | 0.016.4298.0    | 1 | cover dx/rh/re |
| 38 | 2.0351.559.3    | 8 | screw m 4.8x32 |



K9\_R5171\_20\_0-A-002

IRON 150 CONTINUO DCR

Section: G0 - BODYWORK - CAB

Ref: G0.06.25 (1)

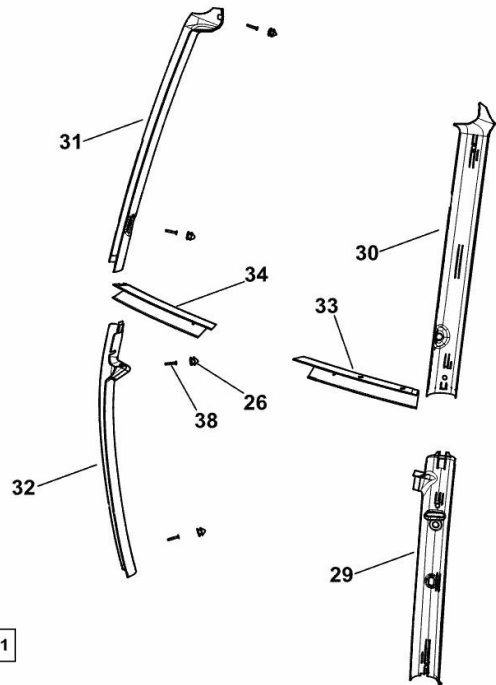
**INTERNAL CAB LININGS SX/LH/LI - DX/RH/RE**

| Fig. | P/n | QTY | Name |
|------|-----|-----|------|
|------|-----|-----|------|

**Notes:**

FOR TYPES W/ OPENABLE FRONT WINDSCREEN [IRON 150 CONTINUO DCR] -> 10030 - 10037 <-

|    |              |   |                |
|----|--------------|---|----------------|
| 26 | 04419538     | 8 | cap            |
| 29 | 0.016.4293.0 | 1 | cover sx/lh/li |
| 30 | 0.017.9970.0 | 1 | cover sx/lh/li |
| 31 | 0.017.9971.0 | 1 | cover dx/rh/re |
| 32 | 0.017.0363.0 | 1 | cover dx/rh/re |
| 33 | 0.016.4299.0 | 1 | cover sx/lh/li |
| 34 | 0.016.4298.0 | 1 | cover dx/rh/re |
| 38 | 2.0351.559.3 | 8 | screw m 4.8x32 |



K9\_R5071\_20\_0-A-001

IRON 150 CONTINUO DCR

Section: G0 - BODYWORK - CAB

Ref: G0.06.25 (2)

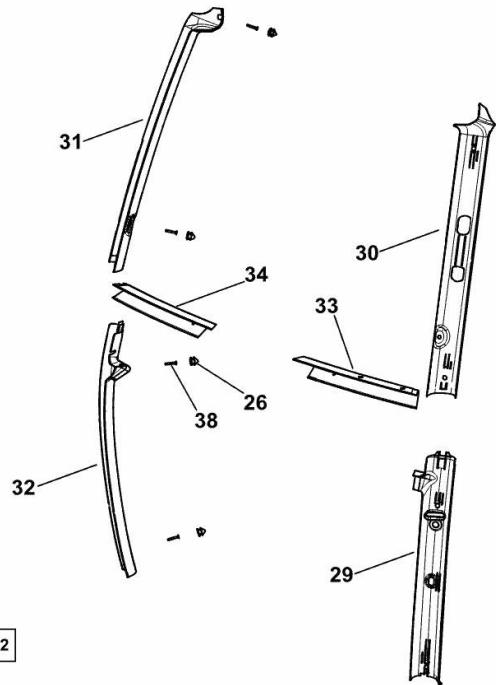
**INTERNAL CAB LININGS SX/LH/LI - DX/RH/RE**

| Fig. | P/n | QTY | Name |
|------|-----|-----|------|
|------|-----|-----|------|

**Notes:**

FOR TYPES W/ OPENABLE FRONT WINDSCREEN [IRON 150 CONTINUO DCR]

|    |                 |   |                |
|----|-----------------|---|----------------|
| 26 | 04419538        | 8 | cap            |
| 29 | 0.016.4293.0    | 1 | cover sx/lh/li |
| 30 | 0.017.9970.0/10 | 1 | cover sx/lh/li |
| 31 | 0.017.9971.0    | 1 | cover dx/rh/re |
| 32 | 0.017.0363.0    | 1 | cover dx/rh/re |
| 33 | 0.016.4299.0    | 1 | cover sx/lh/li |
| 34 | 0.016.4298.0    | 1 | cover dx/rh/re |
| 38 | 2.0351.559.3    | 8 | screw m 4.8x32 |



K9\_R5071\_20\_0-A-002

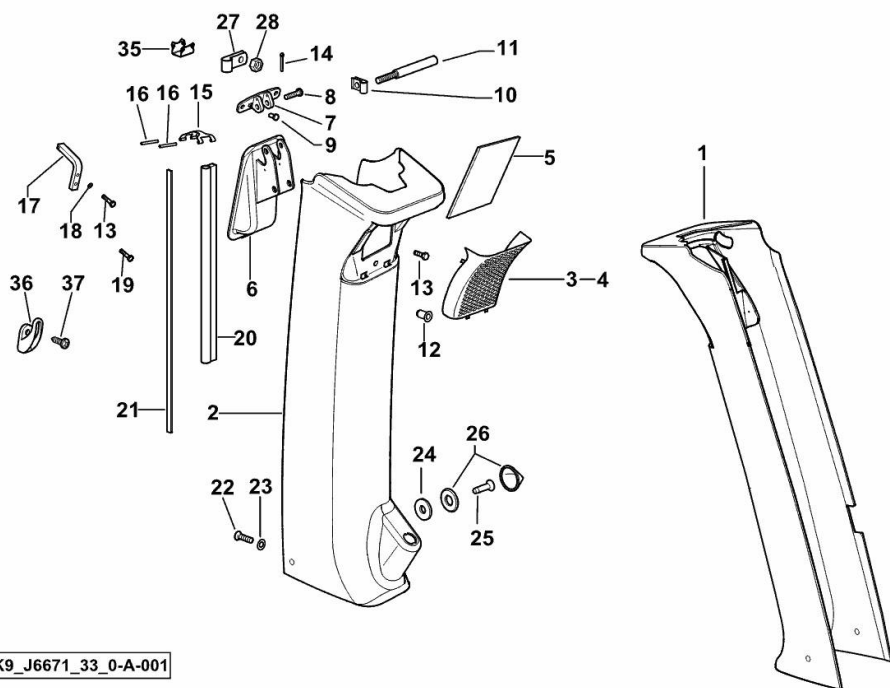
**INTERNAL CAB LININGS**

| Fig. | P/n | QTY | Name |
|------|-----|-----|------|
|------|-----|-----|------|

**Notes:**

[IRON 150 CONTINUO DCR] 10016 <-

|    |                 |    |                       |
|----|-----------------|----|-----------------------|
| 1  | 0.010.9924.0/20 | 1  | lining sx/lh/li       |
| 2  | 0.010.9925.0/20 | 1  | lining dx/rh/re       |
| 3  | 04429279        | 1  | grille sx/lh/li       |
| 4  | 04429280        | 1  | grille dx/rh/re       |
| 5  | 0.011.3775.0    | 2  | filter                |
| 6  | 0.010.9688.0/10 | 2  | switch                |
| 7  | 0.010.9689.0/10 | 2  | support               |
| 8  | 2.1671.111.2    | 2  | pin 6x38              |
| 9  | 2.1856.307.0    | 4  | rivet 4.8x12          |
| 10 | 2.1680.004.2    | 2  | clip Ø 8              |
| 11 | 2.1699.523.2    | 2  | pin                   |
| 12 | 2.1142.010.2    | 2  | insert m 6            |
| 13 | 2.0112.005.2    | 4  | screw m 6 p.1 x 16    |
| 14 | 2.1690.106.2    | 2  | split pin 1.6x16      |
| 15 | 0.011.7132.0    | 2  | spring                |
| 16 | 2.1631.317.2    | 4  | pin Ø 4x40            |
| 17 | 0.011.7034.0/10 | 2  | bracket               |
| 18 | 2.1310.002.2    | 2  | flat washer 6.4x12.5  |
| 19 | 2.0112.005.2    | 2  | screw m 6 p.1 x 16    |
| 20 | 0.011.4085.0/20 | 2  | gasket mm 390         |
| 21 | 0.011.0057.0/10 | 2  | gasket                |
| 22 | 2.0350.405.3    | 2  | screw m 4.2 x 16      |
| 23 | 2.1310.001.2    | 2  | flat washer 5.3 x 10  |
| 24 | 2.1312.003.2    | 12 | washer 6              |
| 25 | 2.0351.556.3    | 4  | screw 4.8x19          |
| 26 | 04419538        | 12 | cap                   |
| 27 | 2.6859.065.2    | 1  | clamp Ø 18            |
| 28 | 2.1121.105.2    | 1  | nut m 8 x 1           |
| 35 | 04418149/10     | 2  | clip                  |
| 36 | 0.007.6732.0    | 1  | coat hanger           |
| 37 | 2.0350.255.3    | 2  | screw m 3.5 x 16 -AB- |



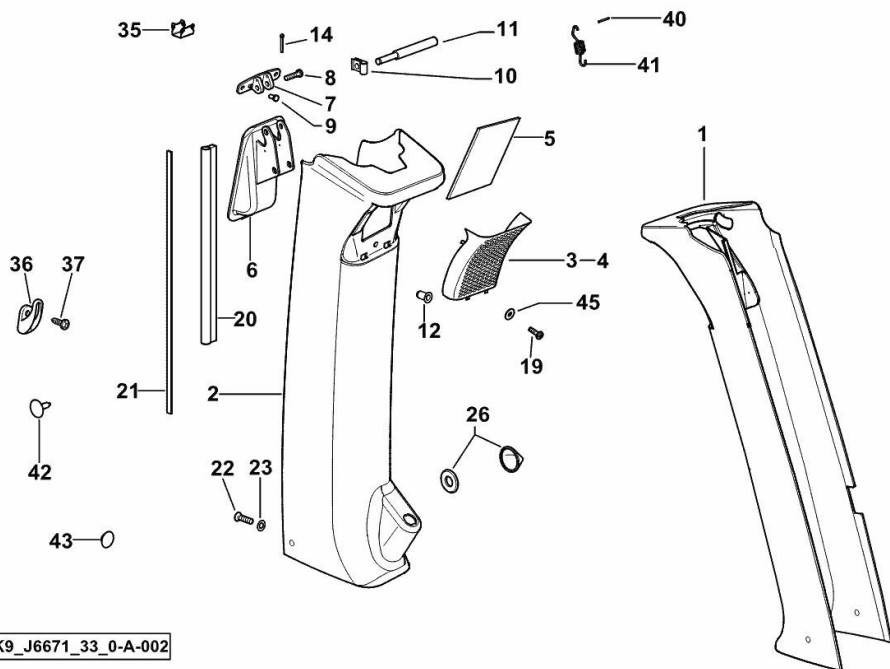
**INTERNAL CAB LININGS**

| Fig. | P/n | QTY | Name |
|------|-----|-----|------|
|------|-----|-----|------|

**Notes:**

[IRON 150 CONTINUO DCR] -> 10017 - 10022 <-

|    |                 |    |                      |
|----|-----------------|----|----------------------|
| 1  | 0.010.9924.0/40 | 1  | lining sx/lh/li      |
| 2  | 0.010.9925.0/40 | 1  | lining dx/rh/re      |
| 3  | 04429279        | 1  | grille sx/lh/li      |
| 4  | 04429280        | 1  | grille dx/rh/re      |
| 5  | 0.011.3775.0    | 2  | filter               |
| 6  | 0.010.9688.0/10 | 2  | switch               |
| 7  | 0.010.9689.0/10 | 2  | support              |
| 8  | 2.1671.111.2    | 2  | pin 6x38             |
| 9  | 2.1856.307.0    | 4  | rivet 4.8x12         |
| 10 | 2.1680.004.2    | 2  | clip Ø 8             |
| 11 | 2.1699.523.2    | 2  | pin                  |
| 12 | 2.1142.010.2    | 2  | insert m 6           |
| 14 | 2.1690.106.2    | 2  | split pin 1.6x16     |
| 19 | 2.0330.407.2    | 2  | screw m 6 p.1 x 20   |
| 20 | 0.011.4085.0/20 | 2  | gasket mm 390        |
| 21 | 0.011.0057.0/10 | 2  | gasket               |
| 22 | 2.0350.405.3    | 2  | screw m 4.2 x 16     |
| 23 | 2.1310.001.2    | 2  | flat washer 5.3 x 10 |
| 26 | 04419538        | 12 | cap                  |
| 35 | 04418149/10     | 2  | clip                 |
| 36 | 0.007.6732.0    | 1  | coat hanger          |
| 37 | 2.0350.253.3    | 2  | screw m 3.5 x 9.5 AB |
| 40 | 2.1630.111.0    | 2  | roll pin 2.5x24      |
| 41 | 2.4049.216.2/10 | 2  | spring               |
| 42 | 01175900        | 4  | plug                 |
| 43 | 04425759        | 2  | cap                  |
| 45 | 2.1312.003.2    | 2  | washer 6             |



Thank you so much for reading.  
Please click the “Buy Now!”  
button below to download the  
complete manual.



After you pay.

You can download the most  
perfect and complete manual in  
the world immediately.

Our support email:

[ebooklibonline@outlook.com](mailto:ebooklibonline@outlook.com)