

PLUG

Fig.	P/n	QTY	Name
------	-----	-----	------

Notes:

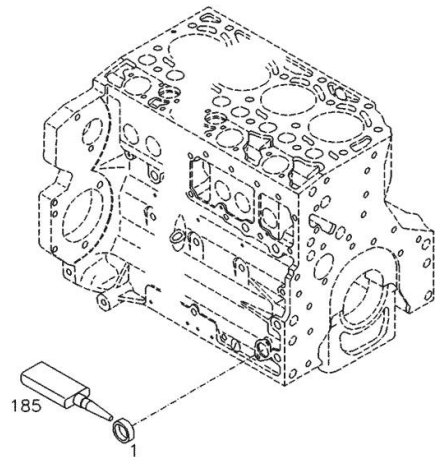
[IRON 150.7 CONTINUO]

Engine serial number:

815803 815804 815805 815806 815807 815808 815809 815810 815811 815812 824235 824236 829765 829766 829767
 829768 829769 829770 829771 829772 829773 829774 835432 835433 835434 835435 835436 835437 835438 840722
 840723 840724 840725 840726 845053 845054 845055 845056 845057 845058 845059 845060 845061 845062 845063
 845064 845065 845066 845067 845068 845069 851221 851222 851223 851224 851225 851226 851227 851228 851229
 851230 851231 851232 851233 864827 864828 864829 864830 864831 868913 868914 876046 876047 876048 876049
 876050 876051 883422 890176 890177 890178 890179 890180 938111 943659 943660 952026 952027 952028 952029
 952030 958705 958706 958707 958708 970289 970290 970291 970292 970293 970908 970909 970910 970911 970912
 1028829 1028830 1028831 1028832 1028833 1028834 1033167

001

1	01179634	1	plug H 2860 -A36-ST-FE/ZNPHR
185	01016127	1	sealing compound ml. 50 H 0699 -DEUTZDW72-50ML



Section: ENGINE
FASTENINGS

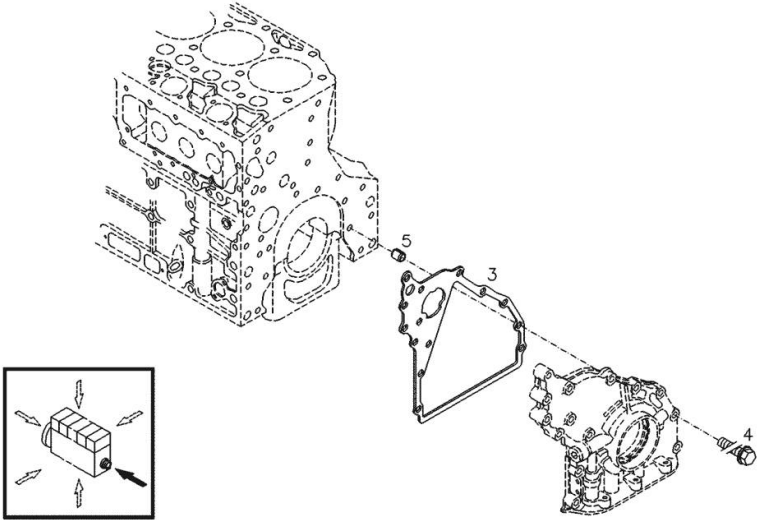
Fig.	P/n	QTY	Name
------	-----	-----	------

Notes:
[IRON 150.7 CONTINUO]

Engine serial number:
815803 815804 815805 815806 815807 815808 815809 815810 815811 815812 824235 824236 829765 829766 829767
829768 829769 829770 829771 829772 829773 829774 835432 835433 835434 835435 835436 835437 835438 840722
840723 840724 840725 840726 845053 845054 845055 845056 845057 845058 845059 845060 845061 845062 845063
845064 845065 845066 845067 845068 845069 851221 851222 851223 851224 851225 851226 851227 851228 851229
851230 851231 851232 851233 864827 864828 864829 864830 864831 868913 868914 876046 876047 876048 876049
876050 876051 883422 890176 890177 890178 890179 890180 938111 943659 943660 952026 952027 952028 952029
952030 958705 958706 958707 958708 970289 970290 970291 970292 970293 970908 970909 970910 970911 970912
1028829 1028830 1028831 1028832 1028833 1028834 1033167

001

3	04204450	1	gasket
4	01143362	14	screw EN 1662 -F-M8X35-10.9-A4C
5	01181406	1	bushing H 2341 -B11X8-FE/ZN12C*



0507 0381

Section: ENGINE

OIL PRESSUR.SWITCH

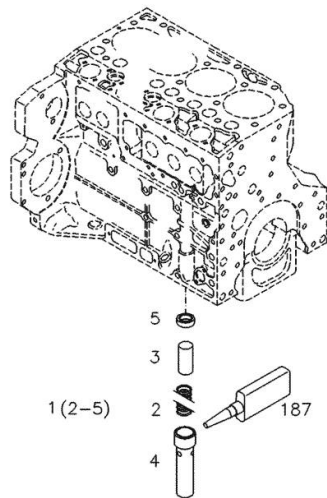
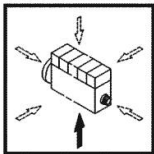
Fig.	P/n	QTY	Name
------	-----	-----	------

Notes:

[IRON 150.7 CONTINUO]

Engine serial number:

815803 815804 815805 815806 815807 815808 815809 815810 815811 815812 824235 824236 829765 829766 829767
 829768 829769 829770 829771 829772 829773 829774 835432 835433 835434 835435 835436 835437 835438 840722
 840723 840724 840725 840726 845053 845054 845055 845056 845057 845058 845059 845060 845061 845062 845063
 845064 845065 845066 845067 845068 845069 851221 851222 851223 851224 851225 851226 851227 851228 851229
 851230 851231 851232 851233 864827 864828 864829 864830 864831 868913 868914 876046 876047 876048 876049
 876050 876051 883422 890176 890177 890178 890179 890180 938111 943659 943660 952026 952027 952028 952029
 952030 958705 958706 958707 958708 970289 970290 970291 970292 970293 970908 970909 970910 970911 970912
 1028829 1028830 1028831 1028832 1028833 1028834 1033167



002 ©

1	04207119	1	valve WITH ITEM (2-5)
2	04200782	1	spring
3	04207120	1	piston
4	04207121	1	spacer
5	04201794	1	ring
187	01016123	1	small plate H 0699 -DEUTZDW71-50ML

FILLER CAP

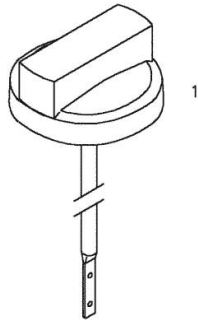
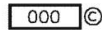
Fig.	P/n	QTY	Name
------	-----	-----	------

Notes:

[IRON 150.7 CONTINUO]

Engine serial number:

815803 815804 815805 815806 815807 815808 815809 815810 815811 815812 824235 824236 829765 829766 829767
 829768 829769 829770 829771 829772 829773 829774 835432 835433 835434 835435 835436 835437 835438 840722
 840723 840724 840725 840726 845053 845054 845055 845056 845057 845058 845059 845060 845061 845062 845063
 845064 845065 845066 845067 845068 845069 851221 851222 851223 851224 851225 851226 851227 851228 851229
 851230 851231 851232 851233 864827 864828 864829 864830 864831 868913 868914 876046 876047 876048 876049
 876050 876051 883422 890176 890177 890178 890179 890180 938111 943659 943660 952026 952027 952028 952029
 952030 958705 958706 958707 958708 970289 970290 970291 970292 970293 970908 970909 970910 970911 970912
 1028829 1028830 1028831 1028832 1028833 1028834 1033167



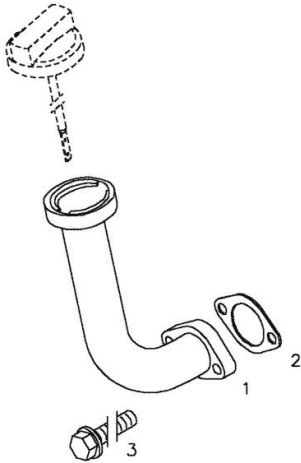
1	01180286	1	plug H 2875 -B2-OL40-166X4-130X12
---	----------	---	--------------------------------------

Section: ENGINE
OIL FILLER NECK

Fig.	P/n	QTY	Name
------	-----	-----	------

Notes:
[IRON 150.7 CONTINUO]

Engine serial number:
815803 815804 815805 815806 815807 815808 815809 815810 815811 815812 824235 824236 829765 829766 829767
829768 829769 829770 829771 829772 829773 829774 835432 835433 835434 835435 835436 835437 835438 840722
840723 840724 840725 840726 845053 845054 845055 845056 845057 845058 845059 845060 845061 845062 845063
845064 845065 845066 845067 845068 845069 851221 851222 851223 851224 851225 851226 851227 851228 851229
851230 851231 851232 851233 864827 864828 864829 864830 864831 868913 868914 876046 876047 876048 876049
876050 876051 883422 890176 890177 890178 890179 890180 938111 943659 943660 952026 952027 952028 952029
952030 958705 958706 958707 958708 970289 970290 970291 970292 970293 970908 970909 970910 970911 970912
1028829 1028830 1028831 1028832 1028833 1028834 1033167



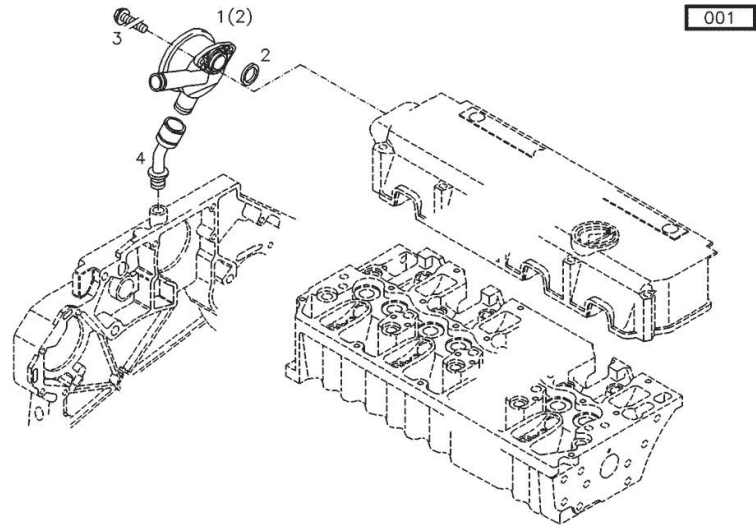
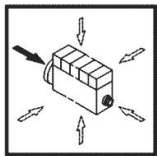
1	04207099	1	tube
2	01178421	1	gasket DIN 71511 -35X58X1,5-DEUTZFW31
3	01181433	2	screw EN 1662 -F-M8X20-LG2,5-10.9-ZNAL-A

Section: ENGINE
CRANKCASE BREATHER

Fig.	P/n	QTY	Name
------	-----	-----	------

Notes:
 [IRON 150.7 CONTINUO]

Engine serial number:
 815803 815804 815805 815806 815807 815808 815809 815810 815811 815812 824235 824236 829765 829766 829767
 829768 829769 829770 829771 829772 829773 829774 835432 835433 835434 835435 835436 835437 835438 840722
 840723 840724 840725 840726 845053 845054 845055 845056 845057 845058 845059 845060 845061 845062 845063
 845064 845065 845066 845067 845068 845069 851221 851222 851223 851224 851225 851226 851227 851228 851229
 851230 851231 851232 851233 864827 864828 864829 864830 864831 868913 868914 876046 876047 876048 876049
 876050 876051 883422 890176 890177 890178 890179 890180 938111 943659 943660 952026 952027 952028 952029
 952030 958705 958706 958707 958708 970289 970290 970291 970292 970293 970908 970909 970910 970911 970912
 1028829 1028830 1028831 1028832 1028833 1028834 1033167



1	04207651	1	valve WITH ITEM (2)
2	04207649	1	ring
3	01180218	2	screw EN 1662 -F-M6X20-10.9-GESCHW
4	04207290	1	piping

Section: ENGINE

BLEEDING TUBE

Fig.	P/n	QTY	Name
------	-----	-----	------

Notes:

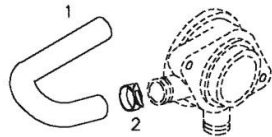
[IRON 150.7 CONTINUO]

Engine serial number:

815803 815804 815805 815806 815807 815808 815809 815810 815811 815812 824235 824236 829765 829766 829767
 829768 829769 829770 829771 829772 829773 829774 835432 835433 835434 835435 835436 835437 835438 840722
 840723 840724 840725 840726 845053 845054 845055 845056 845057 845058 845059 845060 845061 845062 845063
 845064 845065 845066 845067 845068 845069 851221 851222 851223 851224 851225 851226 851227 851228 851229
 851230 851231 851232 851233 864827 864828 864829 864830 864831 868913 868914 876046 876047 876048 876049
 876050 876051 883422 890176 890177 890178 890179 890180

001 ©

1	04198572	1	tube
2	01178750	3	clamp DIN 3021 -A-29X15



PISTON COOL.NOZZLE

Fig.	P/n	QTY	Name
------	-----	-----	------

Notes:

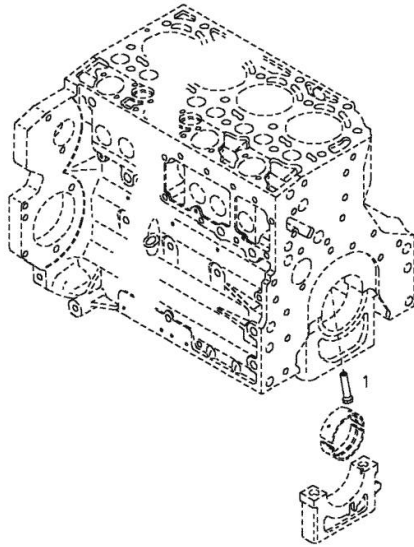
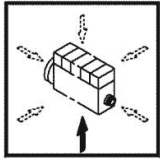
[IRON 150.7 CONTINUO]

Engine serial number:

815803 815804 815805 815806 815807 815808 815809 815810 815811 815812 824235 824236 829765 829766 829767
 829768 829769 829770 829771 829772 829773 829774 835432 835433 835434 835435 835436 835437 835438 840722
 840723 840724 840725 840726 845053 845054 845055 845056 845057 845058 845059 845060 845061 845062 845063
 845064 845065 845066 845067 845068 845069 851221 851222 851223 851224 851225 851226 851227 851228 851229
 851230 851231 851232 851233 864827 864828 864829 864830 864831 868913 868914 876046 876047 876048 876049
 876050 876051 883422 890176 890177 890178 890179 890180

001 ©

1	04207521	1	sprayers
---	----------	---	----------



Section: ENGINE

FRONT COVER

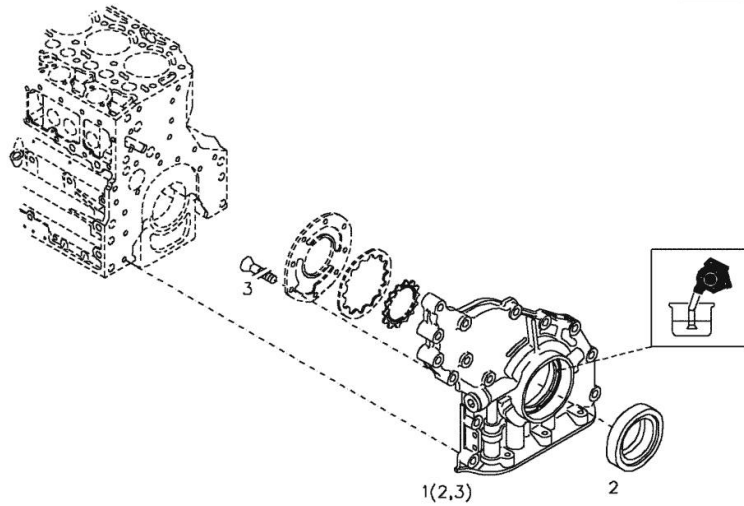
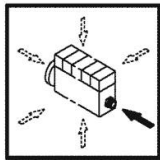
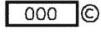
Fig.	P/n	QTY	Name
------	-----	-----	------

Notes:

[IRON 150.7 CONTINUO]

Engine serial number:

815803 815804 815805 815806 815807 815808 815809 815810 815811 815812 824235 824236 829765 829766 829767
 829768 829769 829770 829771 829772 829773 829774 835432 835433 835434 835435 835436 835437 835438 840722
 840723 840724 840725 840726 845053 845054 845055 845056 845057 845058 845059 845060 845061 845062 845063
 845064 845065 845066 845067 845068 845069 851221 851222 851223 851224 851225 851226 851227 851228 851229
 851230 851231 851232 851233 864827 864828 864829 864830 864831 868913 868914 876046 876047 876048 876049
 876050 876051 883422 890176 890177 890178 890179 890180 938111 943659 943660 952026 952027 952028 952029
 952030 958705 958706 958707 958708 970289 970290 970291 970292 970293 970908 970909 970910 970911 970912
 1028829 1028830 1028831 1028832 1028833 1028834 1033167



1	04259226	1	cover WITH ITEM (2,3)
2	04253373	1	oil seal
3	01133718	8	screw DIN 7991 -M6X16-8.8-A4C

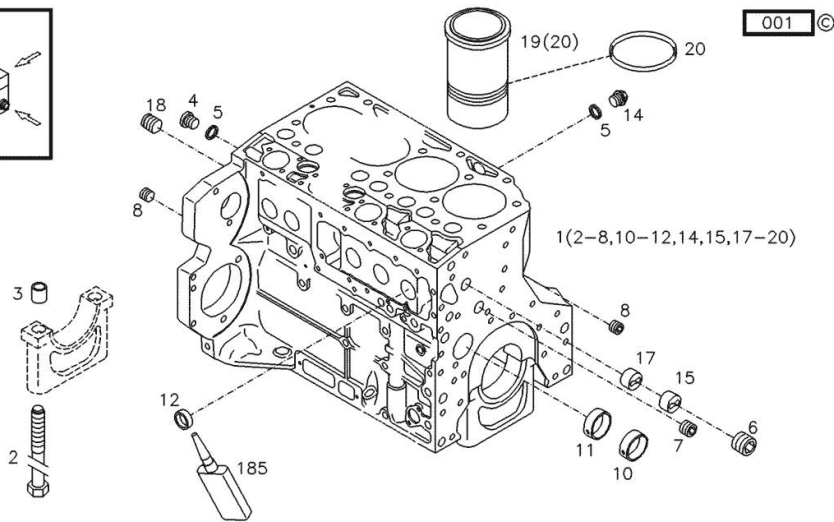
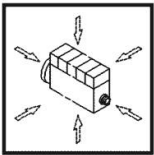
Section: ENGINE
CRANKCASE

Fig.	P/n	QTY	Name
------	-----	-----	------

Notes:
 [IRON 150.7 CONTINUO]

Engine serial number:
 815803 815804 815805 815806 815807 815808 815809 815810 815811 815812 824235 824236

1	04282826	1	crankcase WITH ITEM (2-8,10-12,14,15,17-20)
2	04251254	14	screw
3	04200078	14	bushing
4	01110423	2	screw DIN 908 -M14X1,5-ST-ZNPHRF
5	01118693	4	gasket 14x20 DIN 7603 -A14X20-CU
6	01180890	1	screw H 2812 -906-M30X1,5-ST-A4C-PRE80
7	01180906	1	screw H 2812 -906-M22X1,5-ST-A4C-PRE80
8	01180891	2	screw H 2812 -906-M14X1,5-ST-A4C-PRE80
10	04200021	6	bushing
11	04200022	1	bushing
12	01179635	10	plug H 2860 -A45-ST-FE/ZNPHR
14	01100940	2	screw DIN 7604 -AM14X1,5-ST-A4C
15	04202518	1	sleeve
17	04202517	1	sleeve
18	01182030	1	screw H 2812 -2838-M22X1,5-ST-LOCTITE5061*
19	04253772	6	engine cylinder WITH ITEM (20)
20	01181178	2	special oil seal H 2927 -112X3,0-FPM-2-70
185	01016127	1	sealing compound ml. 50 H 0699 -DEUTZDW72-50ML



0507 8102

Thank you so much for reading.
Please click the “Buy Now!”
button below to download the
complete manual.



After you pay.

You can download the most
perfect and complete manual in
the world immediately.

Our support email:

ebooklibonline@outlook.com