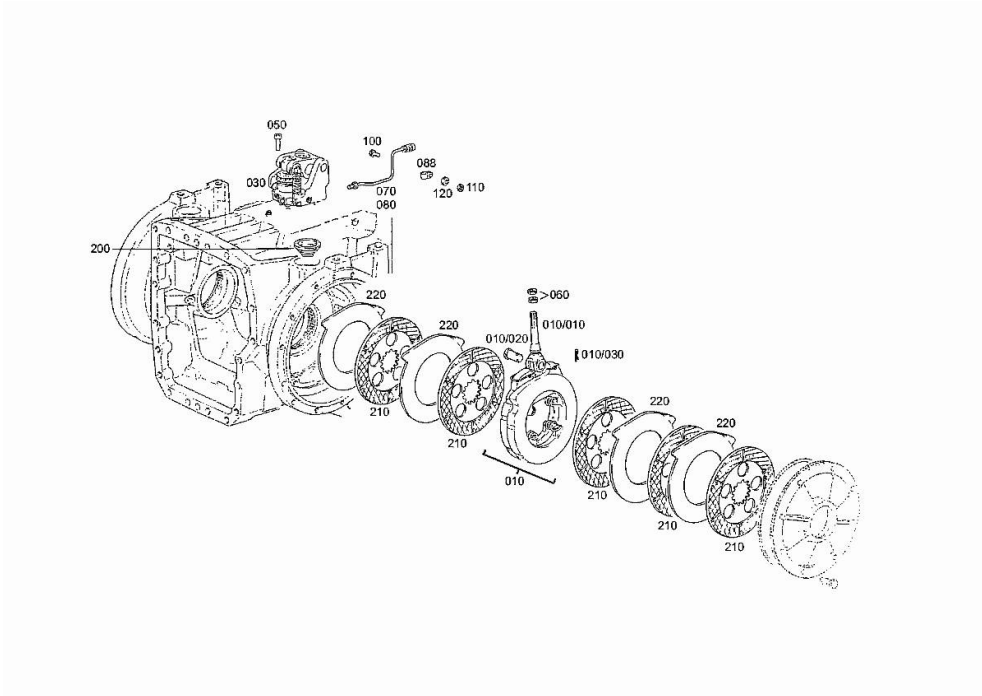


SERVICE BRAKES 2093 009 105

Fig.	P/n	QTY	Name
10	0.900.0800.4	2	transmission brake
10.10	0.900.0801.0	2	rod
			(...) <-
10.10	04428551	2	rod
			-> (...)
10.20	04435740	1	pin
10.30	0.900.0801.1	2	split pin
			(...) <-
10.30	04435741	2	split pin
			-> (...)
30	0.900.0800.5	2	operation
50	0.900.0469.7	6	screw m 10 x 40
60	04434557	4	nut m 14 p.1.5
70	04428545	1	tube sx/lh/li
80	04428546	1	pipng dx/rh/re
88	0.900.0468.2	2	clamp 6x12
100	0.900.0280.1	2	screw m 5 x 25
110	0.900.0470.2	2	nut m 5
120	0.900.0281.6	2	nut
200	0.900.0800.9	2	rubber bushing
210	0.900.0801.2	10	disc
220	0.900.0801.3	8	disc



BRAKE CONTROLS 2093 009 105

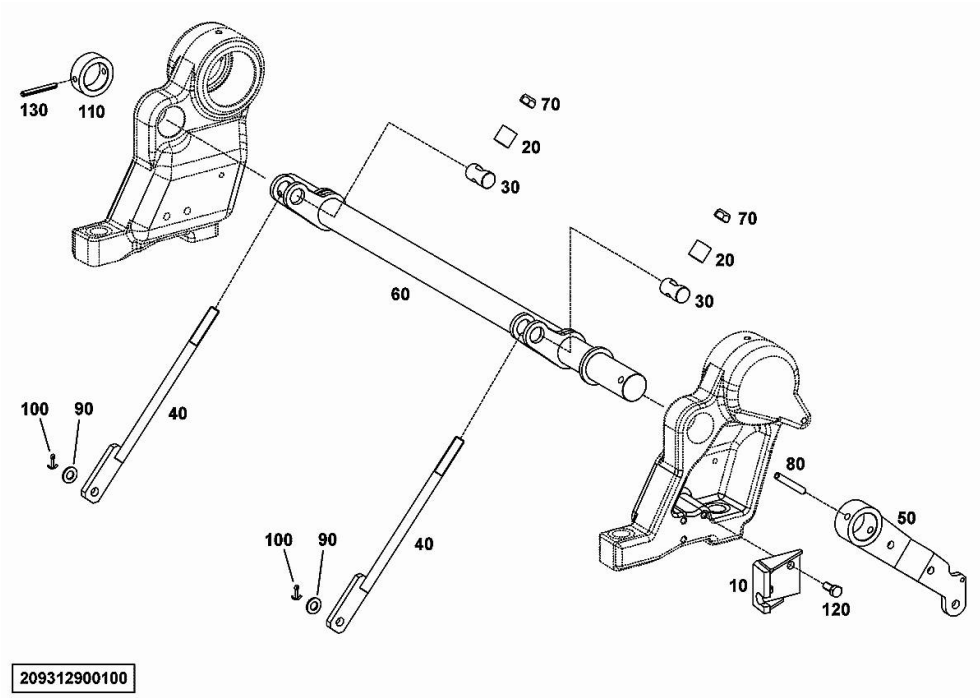
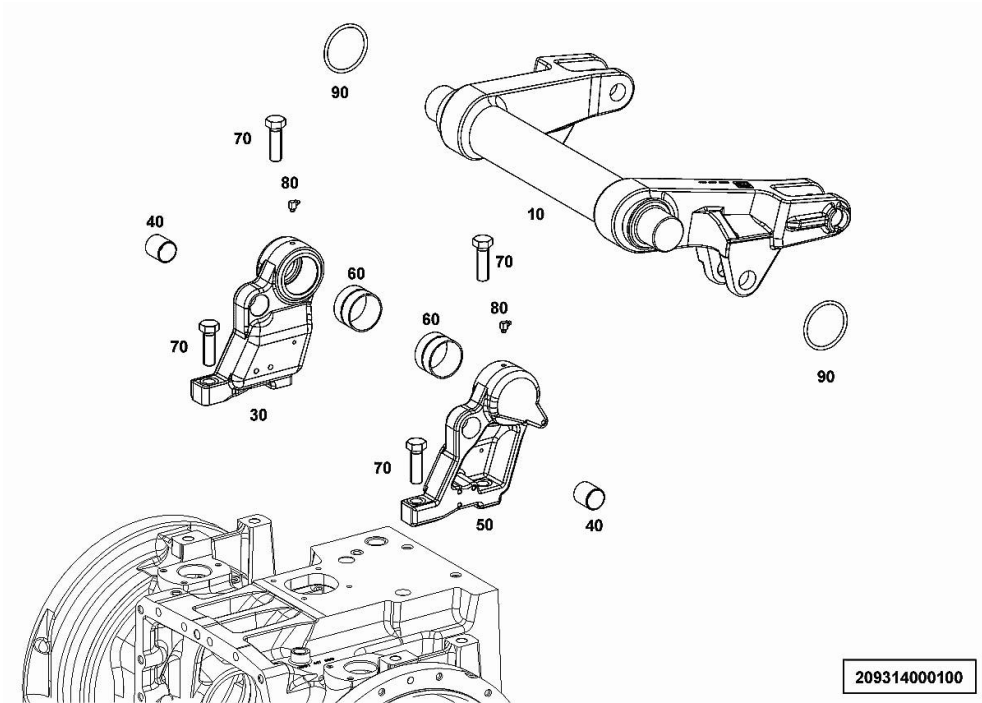


Fig.	P/n	QTY	Name
10	0.010.2901.2	1	support (...)<-
10	0.900.1239.7	1	bracket ->(...)
20	0.010.2902.0	2	bushing (...)<-
20	0.900.1239.8	2	tube ->(...)
30	0.010.2902.1	2	pin (...)<-
30	0.900.1239.9	2	pin ->(...)
40	0.010.2902.2	2	connecting rod (...)<-
40	0.900.1240.0	2	rod ->(...)
50	0.900.0466.8	1	brake lever (...)<-
50	0.900.1240.1	1	lever ->(...)
60	0.010.2903.1	1	shaft (...)<-
60	0.900.1240.2	1	shaft ->(...)
70	0.900.0281.9	2	nut m 12
80	0.010.3459.1	1	roll pin
90	0.900.0466.9	2	washer
100	0.900.0468.1	2	split pin 3.2x18
110	0.010.2904.2	1	ring (...)<-
110	0.900.1240.3	1	spacer ->(...)
120	0.900.0469.4	3	screw m 8 p.1.25 x 20
130	0.010.2901.1	1	pin 6x50

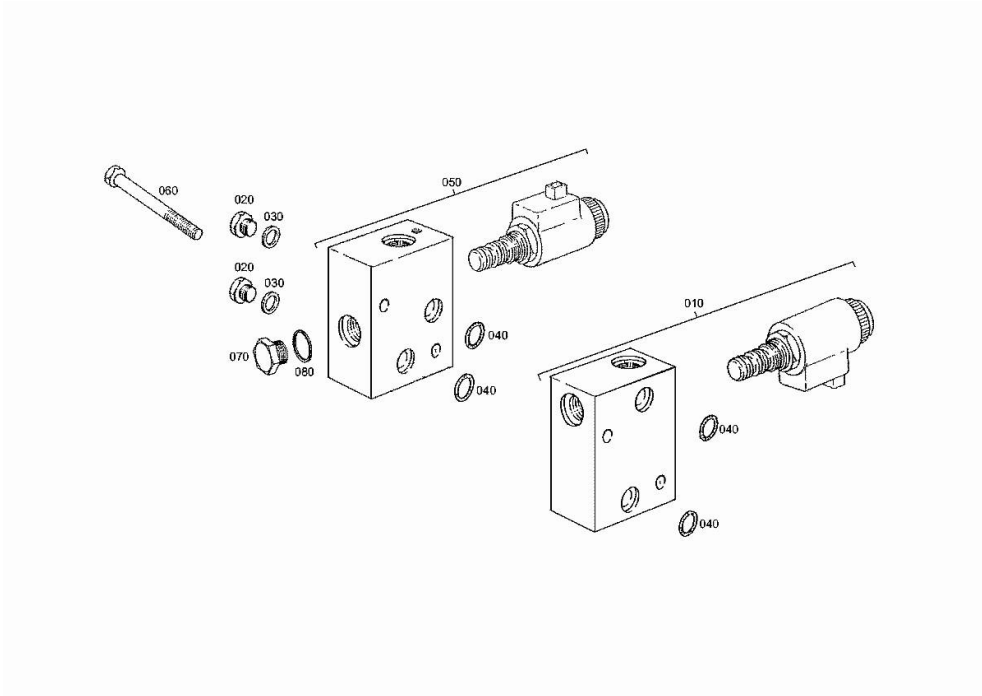
LIFTING 2093 009 105

Fig.	P/n	QTY	Name
10	0.900.0883.4	1	shaft
30	0.900.0802.9	1	bearing block dx/rh/re
40	0.010.3844.1	2	bearing
50	0.900.0803.0	1	bearing block sx/lh/li
60	04417549	2	special bushing
70	0.900.0469.1	4	screw m 20x65
80	04427636	2	grease gun m 8 p.1 x 8
90	04417552	2	ring 78.5x6



GEAR SHIFTING 2093 009 105

Fig.	P/n	QTY	Name
10	0.900.0952.1	1	control
10.10	0.900.0952.8	1	solenoid valve DV
20	04434512	2	plug m 10 p.1 FINO A MATRICOLA CAMBIO ZF 01853553
30	0.900.0290.7	2	circlip FINO A MATRICOLA CAMBIO ZF 01853553
40	0.900.0801.4	4	ring 11,3 x 2,4 NBR-70-10
50	0.010.2628.2	1	control FINO A MATRICOLA CAMBIO ZF 01853553
50	0.900.1363.3	1	small block DA MATRICOLA CAMBIO ZF 1853554
50.10	0.900.1384.6	1	solenoid valve DA MATRICOLA CAMBIO ZF 1853554
60	0.900.0279.5	2	screw FINO A MATRICOLA CAMBIO ZF 01853553
60	0.900.1363.4	2	screw DA MATRICOLA CAMBIO ZF 1853554
70	0.900.0281.0	1	plug m 14 p.1.5 FINO A MATRICOLA CAMBIO ZF 01853553
80	04423731	1	oil seal 14 x 18 FINO A MATRICOLA CAMBIO ZF 01853553



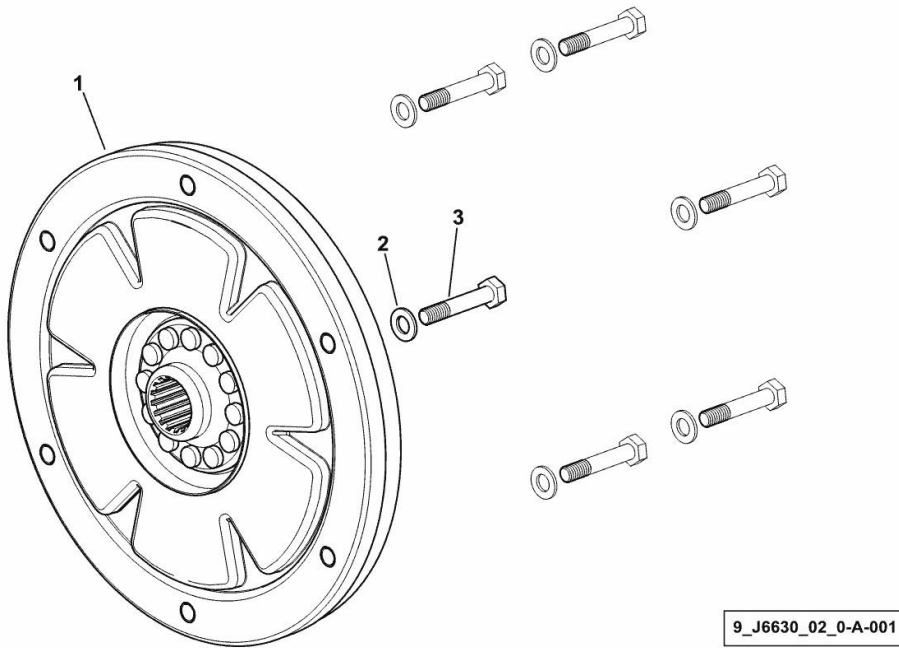
FLEXIBLE COUPLINGS

Fig.	P/n	QTY	Name
------	-----	-----	------

Notes:

[IRON 160 DCR -> 20001]

1	04438731.4	1	vibration damper
2	2.1475.003.2	6	washer 10
3	2.0113.320.7	6	screw m 10 p.1.5 x 55



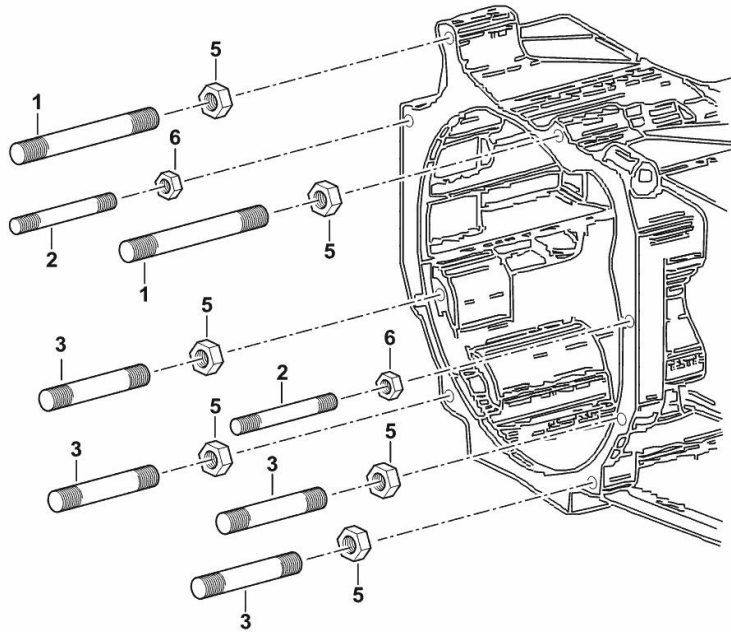
GEARBOX FASTENERS

Fig.	P/n	QTY	Name
------	-----	-----	------

Notes:

[IRON 160 DCR -> 20001]

1	2.0439.288.6	2	stud bolt m 16 p.2x140
2	2.0439.289.6	2	stud bolt m 12 p.1.75x100
3	2.0439.290.6	4	stud bolt m 16 p.2x120
5	2.1012.109.7	6	nut m 16
6	2.1012.107.7	2	nut m 12



9_95331_01_0-A-001

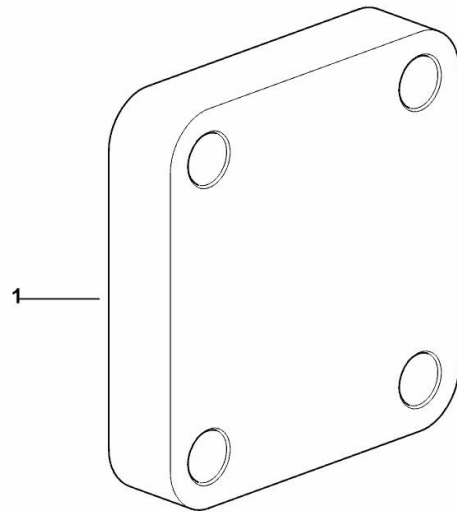
SEPARATOR mm 35

Fig.	P/n	QTY	Name
------	-----	-----	------

Notes:

- FOR MODELS WITHOUT FRONT LIFT [IRON 160 DCR -> 20001]

1	0.015.7283.0	1	spacer mm 35
---	--------------	---	--------------



9_J6356_01_0-A-001

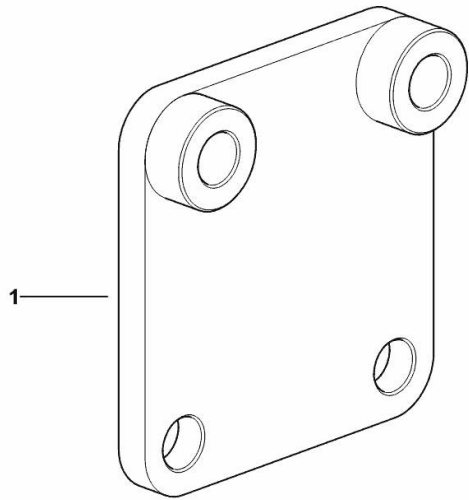
SEPARATOR 15 mm

Fig.	P/n	QTY	Name
------	-----	-----	------

Notes:

- FOR MODELS WITH FRONT LIFT [IRON 160 DCR -> 20001]

1	0.015.7285.2	1	spacer mm 15
---	--------------	---	--------------



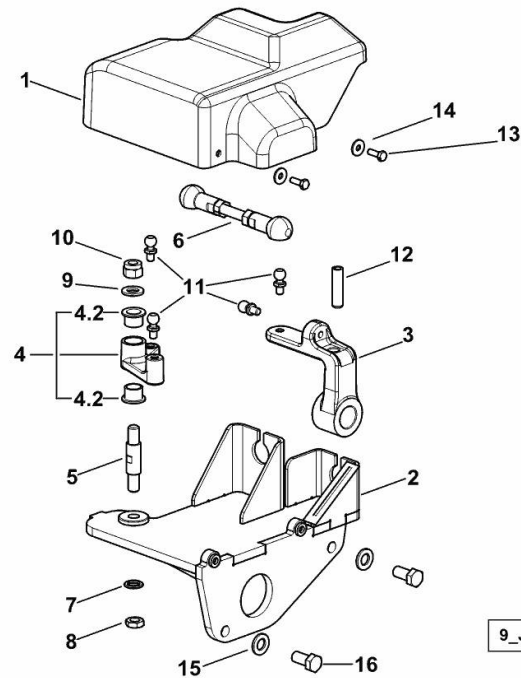
9_J6356_02_0-A-001

GEAR SHIFTING

Fig.	P/n	QTY	Name
------	-----	-----	------

Notes:

[IRON 160 DCR -> 20001] 20142 <-



1	0.016.3928.0/10	1	cover
2	0.016.5459.2/20	1	support
3	0.016.3972.0/20	1	lever
4	0.016.3962.4	1	lever
4.2	2.1559.276.0/10	2	special bushing 16x20x15
5	0.016.2711.0/10	1	pin
6	0.016.3969.4/10	1	rod
7	2.1474.011.2	1	spring washer 12
8	2.1011.107.2	1	nut m 12 p.1.75
9	2.1310.007.2	1	flat washer 13 x 24
10	2.1120.007.2	1	self-locking nut m 12 p.1.75
11	0.014.1947.0	4	small pin
12	2.1630.916.2	1	pin 12x45
13	2.0112.006.2	2	screw m 6 p.1 x 18
14	2.1312.003.2	2	washer 6
15	2.1475.104.6	2	screw 13 x 24
16	2.0114.409.2	2	screw m 12 x 25

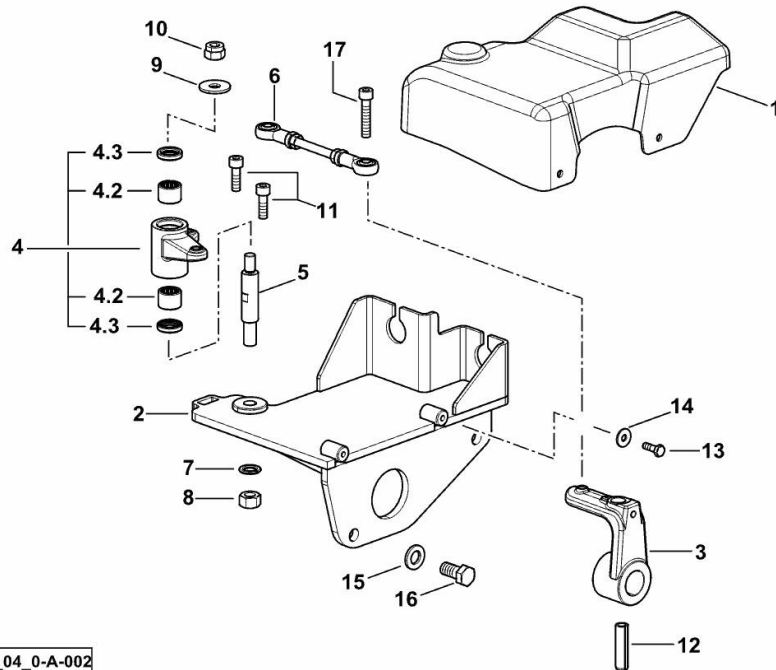
GEAR SHIFTING

Fig.	P/n	QTY	Name
------	-----	-----	------

Notes:

[IRON 160 DCR -> 20001] -> 20137

1	0.019.4943.0	1	cover
2	0.016.5459.2/20	1	support
3	0.019.5033.0	1	lever
4	0.019.5053.4	1	lever
4.2	2.2725.020.0	2	roller cage 16x22x16
4.3	2.1519.078.0	2	special oil seal 16 x 24 x 6
5	0.016.2711.0/20	1	pin
6	0.019.4543.4	1	stay
7	2.1474.011.2	1	spring washer 12
8	2.1011.107.2	1	nut m 12 p.1.75
9	2.1312.005.2	1	washer 10.2
10	2.1120.006.2	1	nut m 10 p.1.5
11	2.0312.208.2	2	screw m 8 p.1.25 x 25
12	2.1630.916.2	1	pin 12x45
13	2.0112.006.2	2	screw m 6 p.1 x 18
14	2.1312.003.2	2	washer 6
15	2.1475.104.6	2	screw 13 x 24
16	2.0114.409.2	2	screw m 12 x 25
17	2.0312.214.2	1	screw m 8 p.1.25 x 40



9_J3164_04_0-A-002

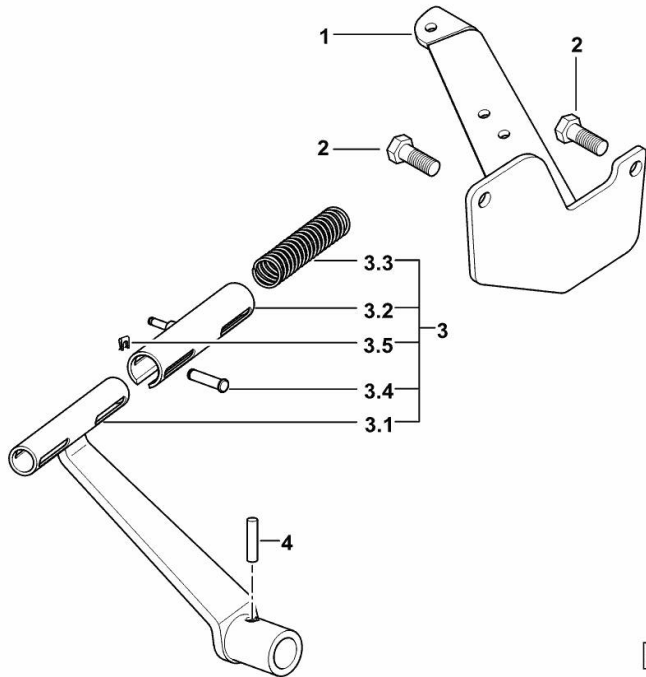
SUPER-REDUCTION CONTROL

Fig.	P/n	QTY	Name
------	-----	-----	------

Notes:

[IRON 160 DCR -> 20001] 20034 <-

1	04454549.3/20	1	support
2	2.0114.411.2	2	screw m 12 p.1.75 x 30
3	04415458.4	1	lever
3.1	04414553.4	1	lever
3.2	04414554.4	1	tube
3.3	04414549	1	spring
3.4	04414557	2	pin
3.5	01175655	2	stop
4	2.1630.916.2	1	pin 12x45



9_D4064_03_0-A-001

Thank you so much for reading.
Please click the “Buy Now!”
button below to download the
complete manual.



After you pay.

You can download the most
perfect and complete manual in
the world immediately.

Our support email:

ebooklibonline@outlook.com