

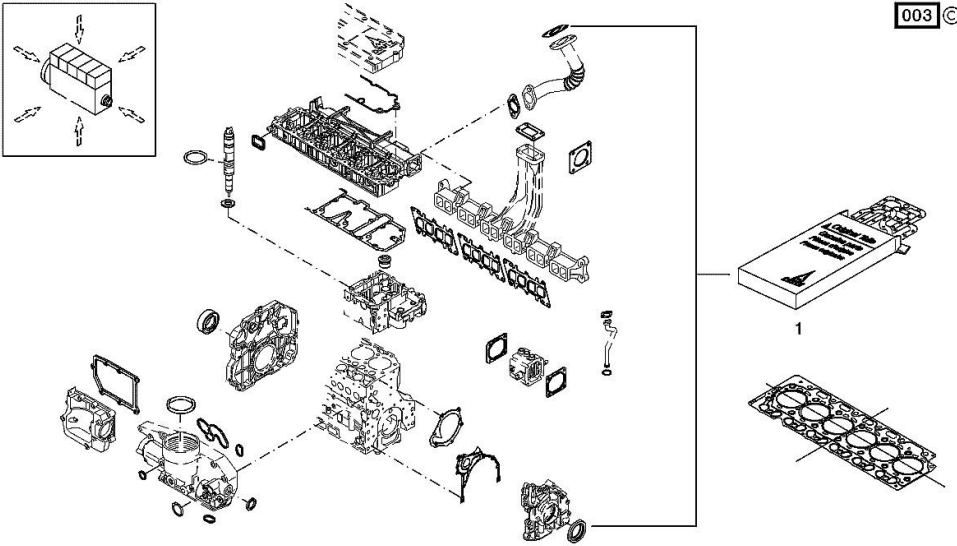
SERIE GUARNIZIONI

Fig.	P/n	QTY	Name
------	-----	-----	------

Notes:
 [IRON 175 DCR -> 10010 -> 30000]

Engine serial number:
 10600216 10615296 10615298 10620331 10620332 10645407 10660916 10717908 10717912 10731977 10738599
 10763809 10763818 10804559 10807961 10816626 10844250

1	02937590	1	gasket set THE KIT DOES NOT CONTAIN ALL THE GASKETS: SEE SM 0199-99-9449
---	----------	---	--



CRANKCASE BREATHER

Fig.	P/n	QTY	Name
------	-----	-----	------

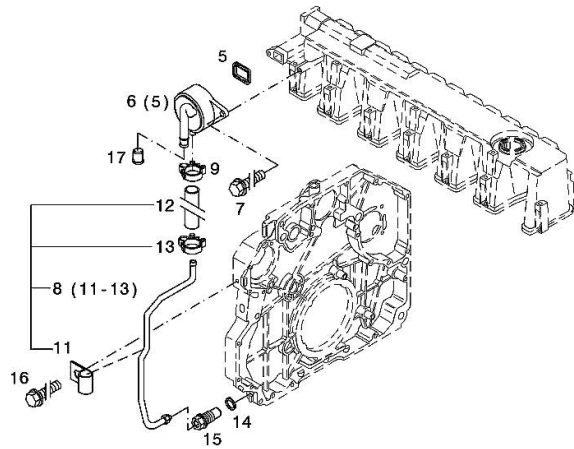
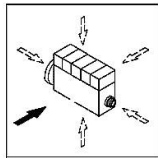
Notes:

[IRON 175 DCR -> 10010 -> 30000]

Engine serial number:

10600216 10615296 10615298 10620331 10620332 10645407 10660916 10717908 10717912 10731977 10738599
10763809 10763818 10804559 10807961 10816626 10844250

002 ©



5	04298547	1	rubber plug
6	04905110	1	breather WITH POS.... (5)
7	01181432	2	screw m8x30 EN 1662 -F-M8X30-10.9-ZNAL-A
8	04504875	1	tube WITH POS.... 11-13
9	01182878	1	fascia H 3461 -F-13,0/8
11	02144961	1	fascia
12	04288505	1	rubber tube H 3407 -F8X14X97-EAM/ARAMID/EAM
13	01182878	1	fascia H 3461 -F-13,0/8
14	01118737	1	oil seal 22 x 27 DIN 7603 -A22X27-CU
15	04505853	1	pipe union
16	01181442	1	screw m6x12 EN 1662 -F-M6X12-10.9-ZNAL-A
17	01161302	1	bottom H 2873 -A25,5X22,8X17-PEWEICH

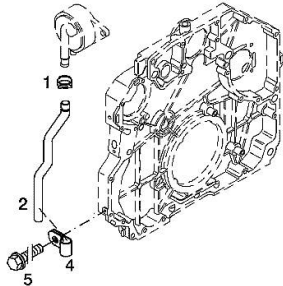
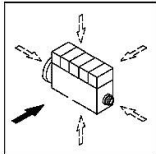
BLEEDING TUBE

Fig.	P/n	QTY	Name
------	-----	-----	------

Notes:
 [IRON 175 DCR -> 10010 -> 30000]

Engine serial number:
 10717908 10717912 10731977 10738599 10763809 10763818 10804559 10807961 10816626 10844250

1	01178750	1	clamp DIN 3021 -A-29X15
2	04290751	1	tube
4	01173523	1	fascia DIN 3016 -1-A1-25X20-W1-2
5	01181433	1	screw EN 1662 -F-M8X20-LG2,5-10.9-ZNAL-A



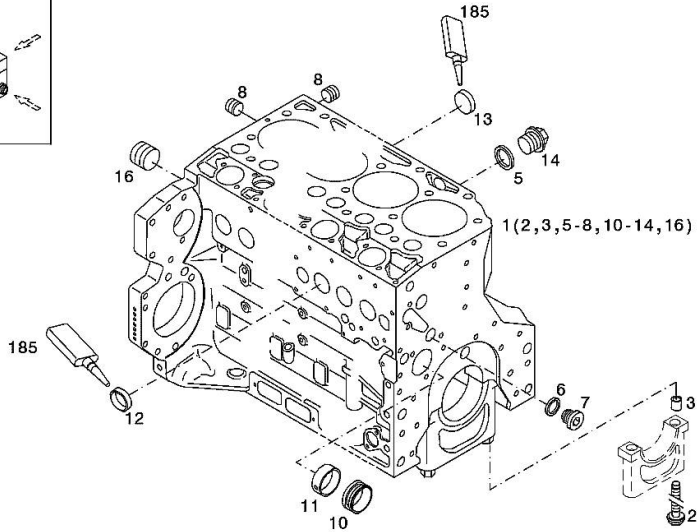
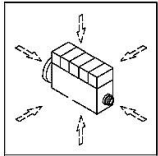
Section: B0 - ENGINE
CRANKCASE

Fig.	P/n	QTY	Name
------	-----	-----	------

Notes:
[IRON 175 DCR -> 10010 -> 30000]

Engine serial number:
10600216 10615296 10615298 10620331 10620332 10645407 10660916 10717908 10717912 10731977 10738599
10763809 10763818 10804559 10807961 10816626 10844250

1	04296592	1	crankcase WITH POS.... (2,3,5-8,10-14,16)
2	04254240	14	screw
3	04160764	14	bushing
5	01118693	2	gasket 14x20 DIN 7603 -A14X20-CU
6	01101342	1	oil seal DIN 7603 -D22X27-CU
7	04292706	1	plug
8	01182031	2	screw H 2812 -906-M14X1,5-ST-A3C-LOCTITE506
10	04251884	6	plug
11	04250086	1	ring
12	01148032	9	cover DIN 443 -A45-ZNPHR
13	01148031	5	plug DIN 443 -A36-ZNPHR
14	01100940	2	screw DIN 7604 -AM14X1,5-ST-A4C
16	04226536	1	bottom
185	01016125	1	guard H 0699 -DEUTZDW72-250ML



ACCESSORIES

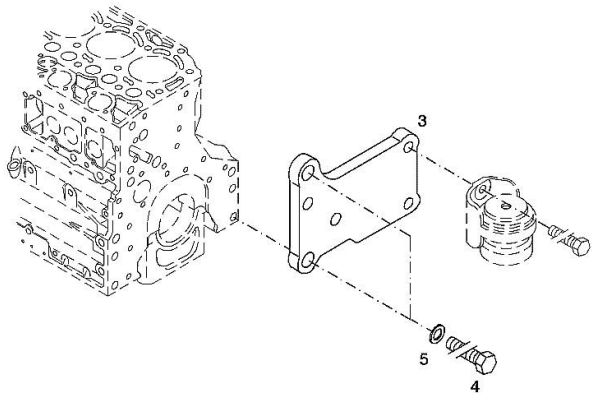
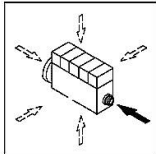
Fig.	P/n	QTY	Name
------	-----	-----	------

Notes:
 [IRON 175 DCR -> 10010 -> 30000]

Engine serial number:
 10600216 10615296 10615298 10620331 10620332 10645407 10660916 10717908 10717912 10731977 10738599
 10763809 10763818 10804559 10807961 10816626 10844250

3	04288659	1	support
4	01148261	2	screw ISO 4017 -M16X40-10.9-ZNAL-A
5	01181400	2	washer H 2308 -18X25X1,5-A4C

006 ©



ACCESSORIES

Fig.	P/n	QTY	Name
------	-----	-----	------

Notes:

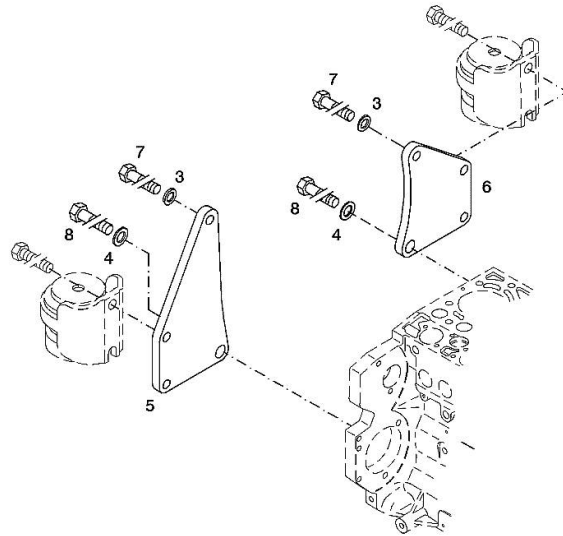
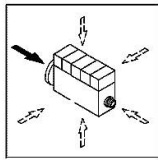
[IRON 175 DCR -> 10010 -> 30000]

Engine serial number:

10600216 10615296 10615298 10620331 10620332 10645407 10660916 10717908 10717912 10731977 10738599
 10763809 10763818 10804559 10807961 10816626 10844250

003 ©

3	01182016	2	disc H 2308 -13X24X3-ZNAL-A
4	01181400	2	washer H 2308 -18X25X1,5-A4C
5	04206926	1	plate dx/rh/re
6	04206927	1	plate sx/lh/li
7	01148137	2	screw - UP TO MONTH OF ASSEMBLY (A) - FROM MONTH OF ASSEMBLY SEE POS. (B) A = 06.2009 B = POS. 950 DIN 931 -M12X75-10.9-ZNAL-A
8	01148037	2	screw UP TO MONTH OF ASSEMBLY (A) - FROM MONTH OF ASSEMBLY SEE POS. (B) A = 06.2009 B = POS. 951 ISO 4014 -M16X75-10.9-OELGESCHW
950	01149017	2	screw - FROM MONTH OF ASSEMBLY SEE POS. (B) - UP TO MONTH OF ASSEMBLY (A) FROM MONTH OF ASSEMBLY A = 07.2009 B = 7 DIN 34800 -BM12X75-10.9-ZNAL-A
951	01180235	2	screw - FROM MONTH OF ASSEMBLY SEE POS. (B) - UP TO MONTH OF ASSEMBLY (A) FROM MONTH OF ASSEMBLY A = 07.2009 B= Pos.8 H 2032 -HBM16X75-10.9-GESCHW



OIL FILLER NECK

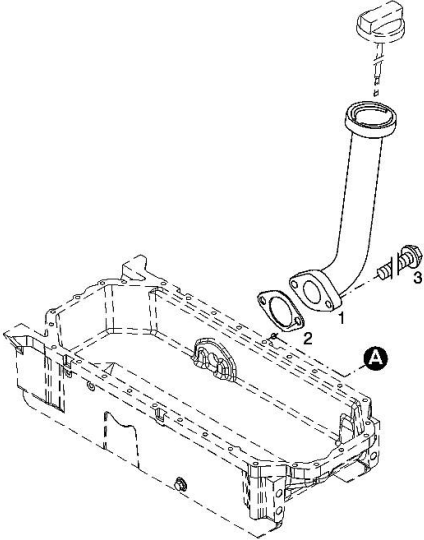
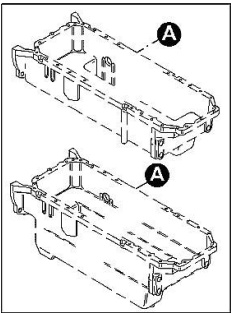
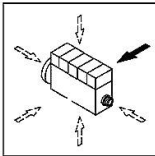
Fig.	P/n	QTY	Name
------	-----	-----	------

Notes:
 [IRON 175 DCR -> 10010 -> 30000]

Engine serial number:
 10600216 10615296 10615298 10620331 10620332 10645407 10660916 10717908 10717912 10731977 10738599
 10763809 10763818 10804559 10807961 10816626 10844250

1	04207099	1	tube
2	01178421	1	gasket
3	01181433	2	screw
			30 Nm

001 ©



ACCESSORIES

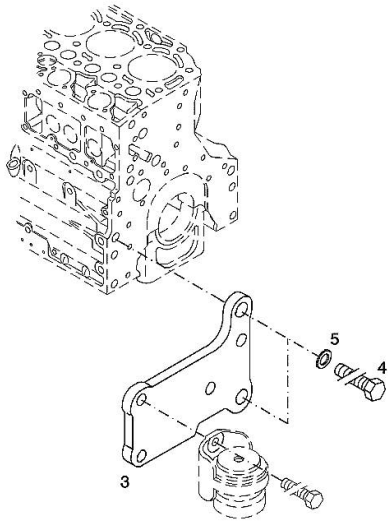
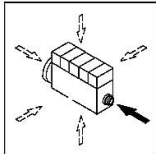
Fig.	P/n	QTY	Name
------	-----	-----	------

Notes:
 [IRON 175 DCR -> 10010 -> 30000]

Engine serial number:
 10600216 10615296 10615298 10620331 10620332 10645407 10660916 10717908 10717912 10731977 10738599
 10763809 10763818 10804559 10807961 10816626 10844250

3	04288660	1	support
4	01148261	2	screw ISO 4017 -M16X40-10.9-ZNAL-A
5	01181400	2	washer H 2308 -18X25X1,5-A4C

003 ©

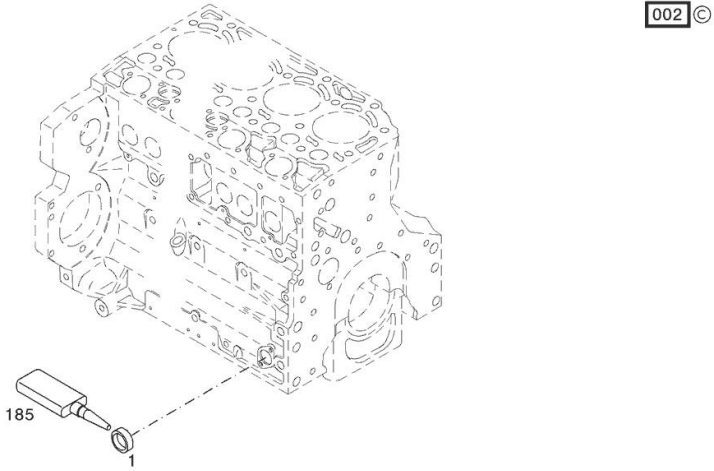
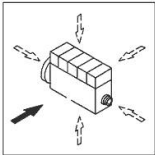


PLUG

Fig.	P/n	QTY	Name
------	-----	-----	------

Notes:
 [IRON 175 DCR -> 10010 -> 30000]

1	01148031	1	plug DIN 443 -A36-ZNPHR
185	01319911	1	sealing compound ml. 50



PISTON COOL.NOZZLE

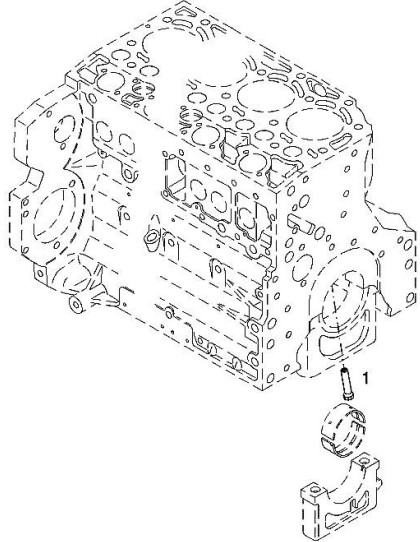
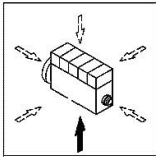
Fig.	P/n	QTY	Name
------	-----	-----	------

Notes:
 [IRON 175 DCR -> 10010 -> 30000]

Engine serial number:
 10600216 10615296 10615298 10620331 10620332 10645407 10660916 10717908 10717912 10731977 10738599
 10763809 10763818 10804559 10807961 10816626 10844250

1	04207521	1	sprayers
---	----------	---	----------

001 ©



FILLER CAP

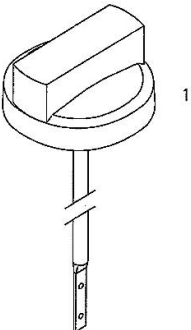
Fig.	P/n	QTY	Name
------	-----	-----	------

Notes:
 [IRON 175 DCR -> 10010 -> 30000]

Engine serial number:
 10600216 10615296 10615298 10620331 10620332 10645407 10660916 10717908 10717912 10731977 10738599
 10763809 10763818 10804559 10807961 10816626 10844250

1	01180341	1	plug H 2875 -B2-OL40-166X4X145X15
---	----------	---	--------------------------------------

000

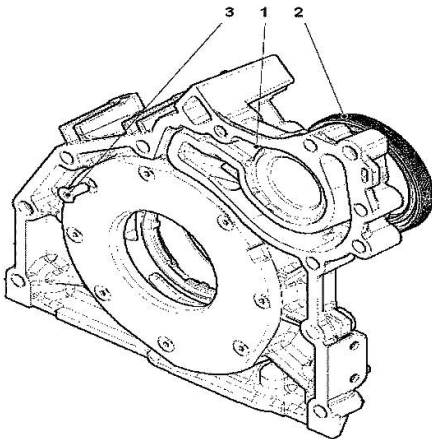


FLANGE

Fig.	P/n	QTY	Name
------	-----	-----	------

Notes:
 [IRON 175 DCR -> 10010 -> 30000]

1	04502445	1	oil pump WITH POS.... (2,3)
2	04502202	1	special oil seal
3	01133718	8	screw 8.5 Nm DIN 7991 -M6X16-8.8-A4C



000

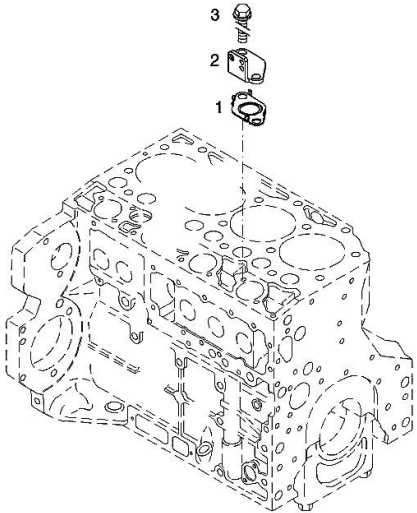
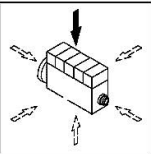
CLOSING COMPONENTS

Fig.	P/n	QTY	Name
------	-----	-----	------

Notes:
 [IRON 175 DCR -> 10010 -> 30000]

Engine serial number:
 10600216 10615296 10615298 10620331 10620332 10645407 10660916 10717908 10717912 10731977 10738599
 10763809 10763818 10804559 10807961 10816626 10844250

1	04292757	1	gasket
2	04292113	1	bracket
3	01181436	2	screw
EN 1662 -F-M8X16-LG2,5-10.9-ZNAL-A			



000 ©

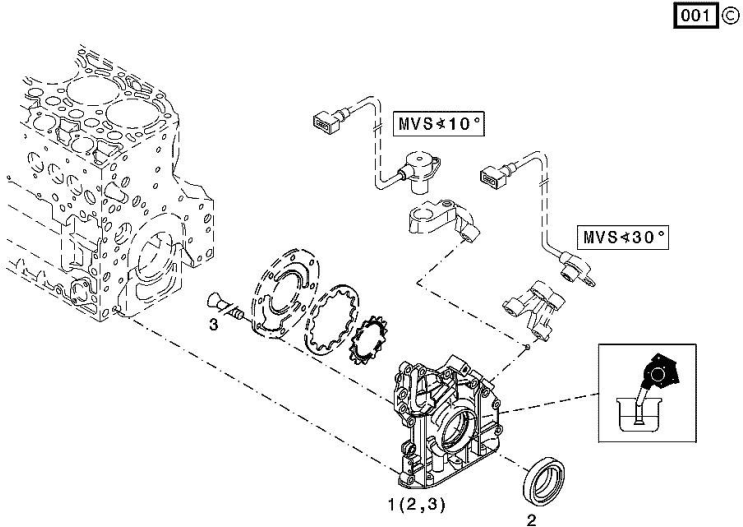
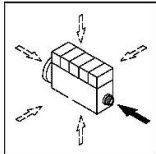
FLANGE

Fig.	P/n	QTY	Name
------	-----	-----	------

Notes:
 [IRON 175 DCR -> 10010 -> 30000]

Engine serial number:
 10600216 10615296 10615298 10620331 10620332 10645407 10660916 10717908 10717912 10731977 10738599
 10763809 10763818 10804559 10807961 10816626 10844250

1	04258382	1	oil pump kpl. WITH POS.... (2,3)
2	04253372	1	oil seal
3	01133718	1	screw DIN 7991 -M6X16-8.8-A4C

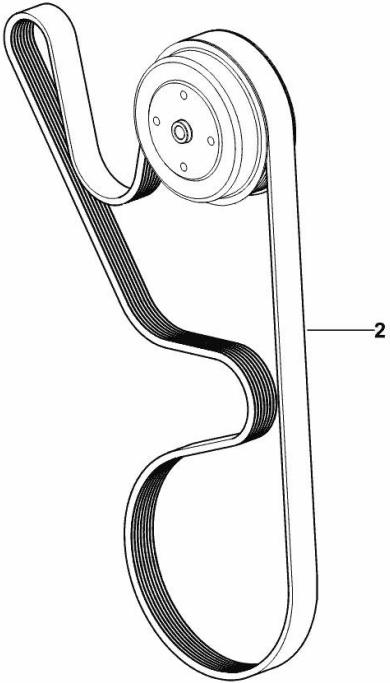


COOLANT PUMP DRIVEBELT

Fig.	P/n	QTY	Name
------	-----	-----	------

Notes:
[IRON 175 DCR -> 10010 -> 30000] 10025 <-

2	2.4119.196.0	1	belt PV-K8 x 1892
---	--------------	---	-------------------



K9_O5719_05_0-A-001

Thank you so much for reading.
Please click the “Buy Now!”
button below to download the
complete manual.



After you pay.

You can download the most
perfect and complete manual in
the world immediately.

Our support email:

ebooklibonline@outlook.com