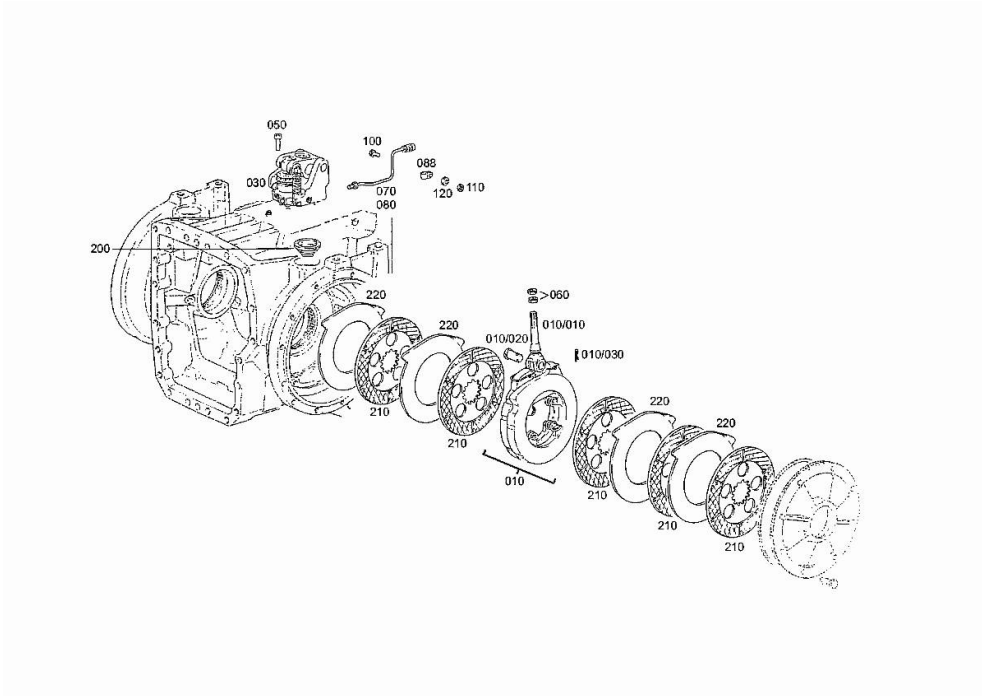


SERVICE BRAKES 2093 009 101

Fig.	P/n	QTY	Name
10	0.900.0800.4	2	transmission brake
10.10	0.900.0801.0	2	rod (...) <-
10.10	04428551	1	rod -> (...)
10.20	04435740	1	pin
10.30	0.900.0801.1	2	split pin (...) <-
10.30	04435741	1	split pin -> (...)
30	0.900.0800.5	2	operation
50	0.900.0469.7	6	screw m 10 x 40
60	04434557	4	nut m 14 p.1.5
70	04428545	1	tube sx/lh/li
80	04428546	1	pipng dx/rh/re
88	0.900.0468.2	2	clamp 6x12
100	0.900.0280.1	2	screw m 5 x 25
110	0.900.0470.2	2	nut m 5
120	0.900.0281.6	2	nut
200	0.900.0800.9	2	rubber bushing
210	0.900.0801.2	10	disc
220	0.900.0801.3	8	disc



BRAKE CONTROLS 2093 009 101

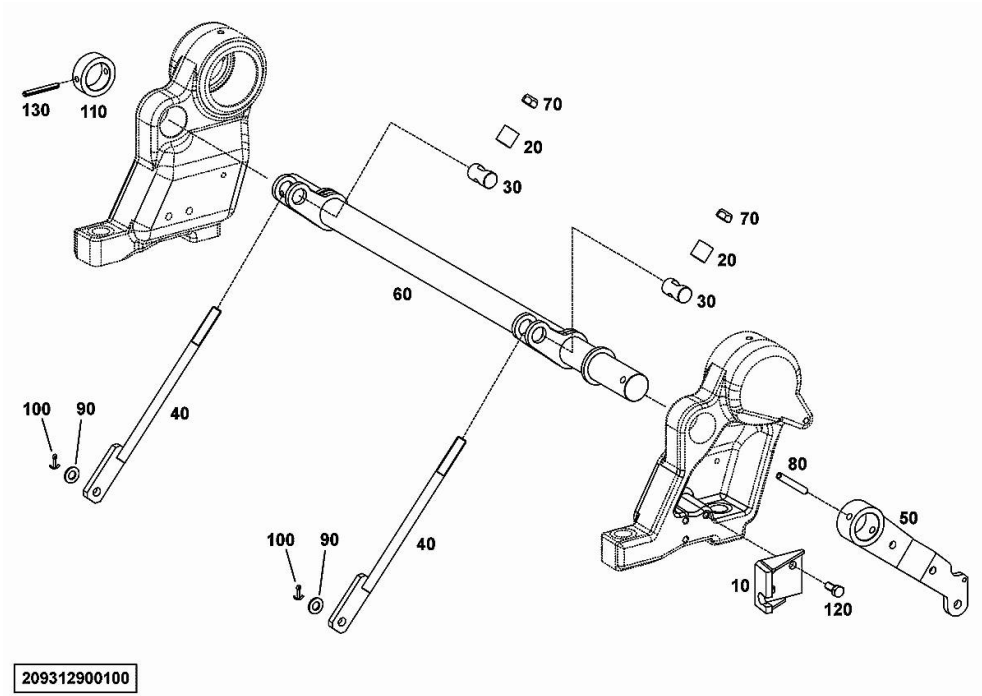
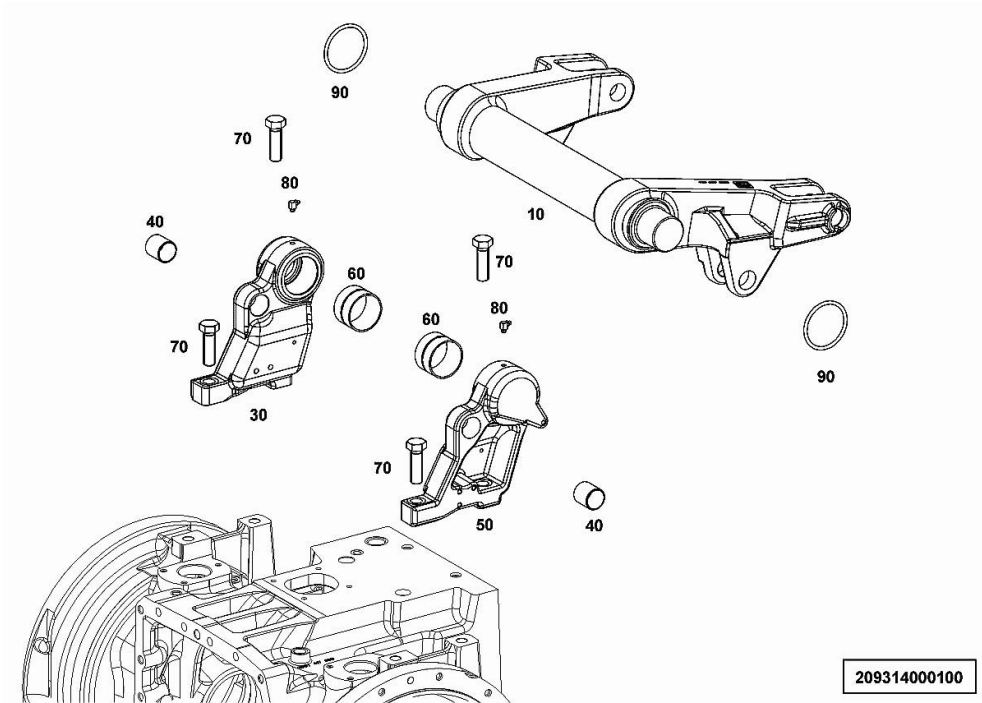


Fig.	P/n	QTY	Name
10	0.010.2901.2	1	support (...) <-
10	0.900.1239.7	1	bracket > (...)
20	0.010.2902.0	2	bushing (...) <-
20	0.900.1239.8	2	tube > (...)
30	0.010.2902.1	2	pin > (...)
30	0.900.1239.9	2	pin (...) <-
40	0.010.2902.2	2	connecting rod > (...)
40	0.900.1240.0	2	rod (...) <-
50	0.900.0466.8	1	brake lever (...) <-
50	0.900.1240.1	1	lever > (...)
60	0.010.2903.1	1	shaft (...) <-
60	0.900.1240.2	1	shaft > (...)
70	0.900.0281.9	2	nut m 12
80	0.010.3459.1	1	roll pin
90	0.900.0466.9	2	washer
100	0.900.0468.1	2	split pin 3.2x18
110	0.010.2904.2	1	ring (...) <-
110	0.900.1240.3	1	spacer > (...)
120	0.900.0469.4	3	screw m 8 p.1.25 x 20
130	0.010.2901.1	1	pin 6x50

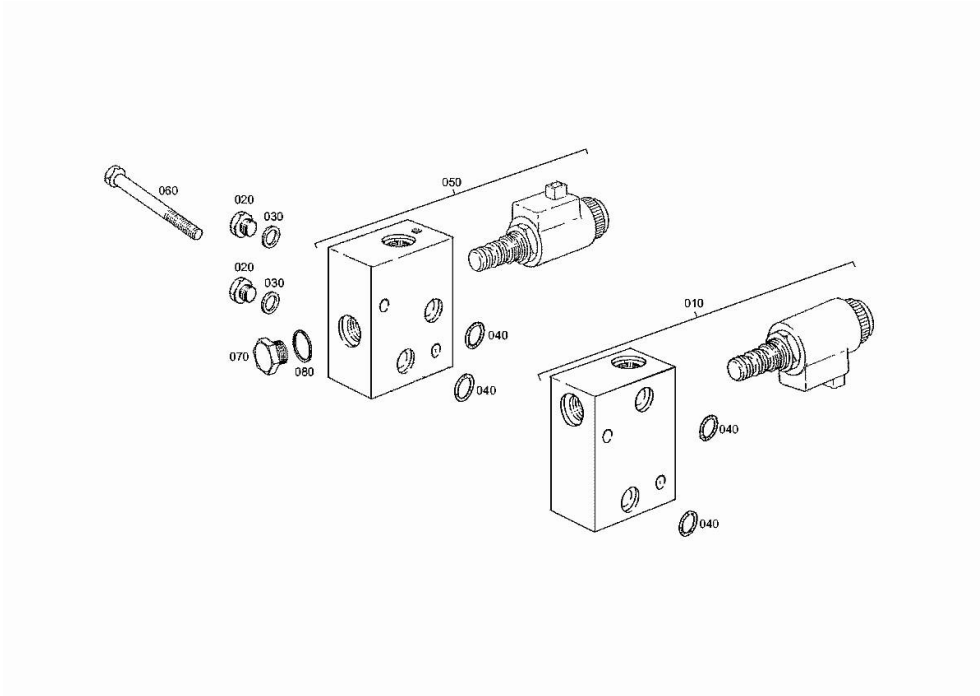
LIFTING 2093 009 101

Fig.	P/n	QTY	Name
10	0.900.0883.4	1	shaft
30	0.900.0802.9	1	bearing block dx/rh/re
40	0.010.3844.1	2	bearing
50	0.900.0803.0	1	bearing block sx/lh/li
60	04417549	2	special bushing
70	0.900.0469.1	4	screw m 20x65
80	04427636	2	grease gun m 8 p.1 x 8
90	04417552	2	ring 78.5x6



GEAR SHIFTING 2093 009 101

Fig.	P/n	QTY	Name
10	0.900.0952.1	1	control
10.10	0.900.0952.8	1	solenoid valve DV
20	04434512	2	plug m 10 p.1 FINO A MATRICOLA CAMBIO ZF 01853553
30	0.900.0290.7	2	circlip FINO A MATRICOLA CAMBIO ZF 01853553
40	0.900.0801.4	4	ring 11,3 x 2,4 NBR-70-10
50	0.010.2628.2	1	control FINO A MATRICOLA CAMBIO ZF 01853553
50	0.900.1363.3	1	small block DA MATRICOLA CAMBIO ZF 1853554
50.10	0.900.1384.6	1	solenoid valve DA MATRICOLA CAMBIO ZF 1853554
60	0.900.0279.5	2	screw FINO A MATRICOLA CAMBIO ZF 01853553
60	0.900.1363.4	2	screw DA MATRICOLA CAMBIO ZF 1853554
70	0.900.0281.0	1	plug m 14 p.1.5 FINO A MATRICOLA CAMBIO ZF 01853553
80	04423731	1	oil seal 14 x 18 FINO A MATRICOLA CAMBIO ZF 01853553



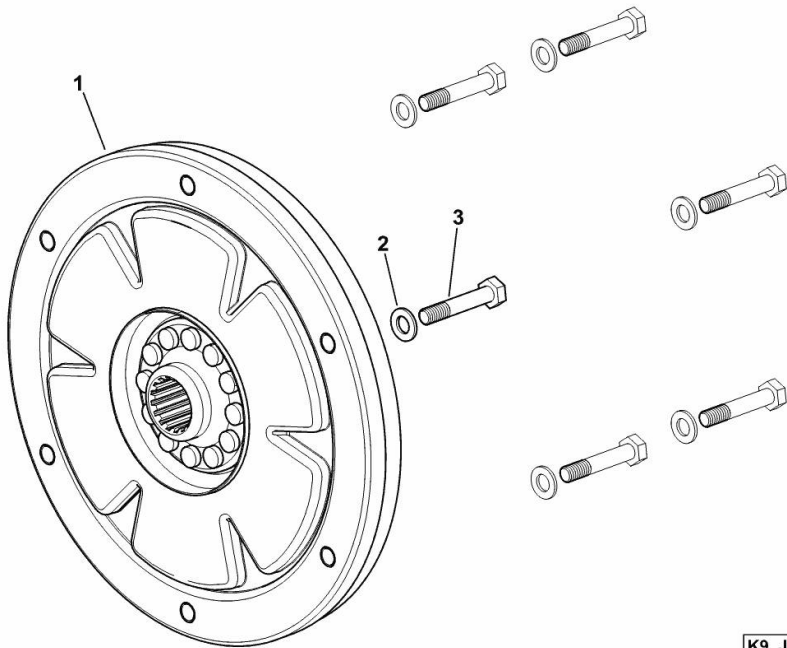
FLEXIBLE COUPLINGS

Fig.	P/n	QTY	Name
------	-----	-----	------

Notes:

[IRON 175 DCR HI-LINE -> 20001]

1	04438731.4	1	vibration damper
2	2.1475.003.2	6	washer 10
3	2.0113.320.7	6	screw m 10 p.1.5 x 55



K9_J6630_02_0-A-001

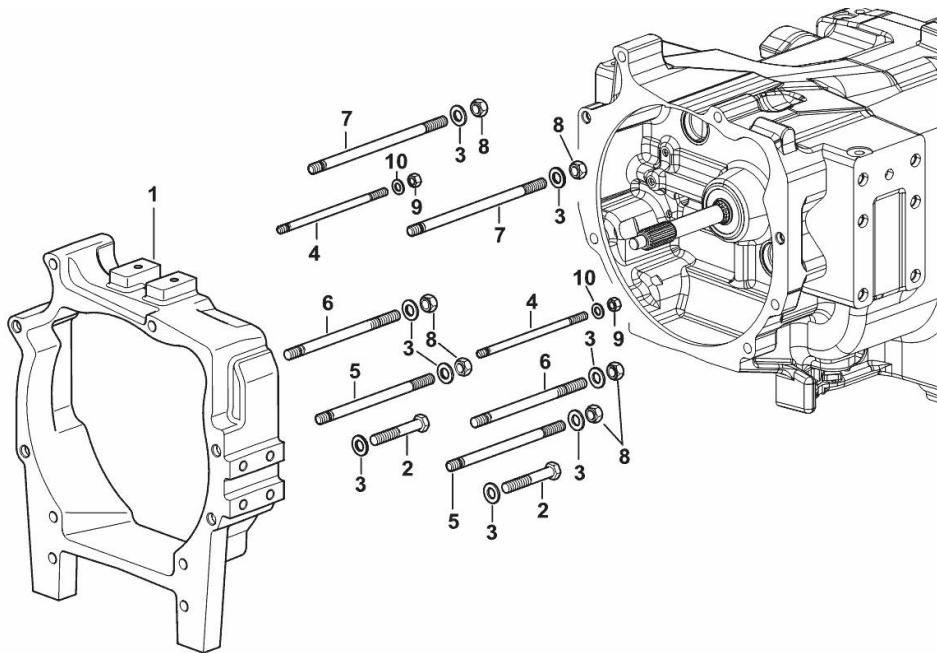
FIXING PARTS - MOTOR - GEARS

Fig.	P/n	QTY	Name
------	-----	-----	------

Notes:

[IRON 175 DCR HI-LINE -> 20001]

1	04455205/10	1	flange
2	2.0113.629.2	2	screw m 16 p.2x100
3	2.1475.106.7	8	washer 17x32
4	2.0439.281.7/10	2	stud bolt m 12 p.1.75-1.25x238
5	2.0439.282.7/10	2	stud bolt m 16 p.2-1.5x252
6	2.0439.296.7/10	2	stud bolt m 16 p.2-1.5x242
7	2.0439.283.7/10	2	stud bolt m 16 p.2-1.5x297
8	2.1012.409.7	6	nut m 16
9	2.1011.422.2	2	nut m 12 p.1.25
10	2.1475.104.7	2	washer 13 x 24



K9_J6631_03_0-A-001

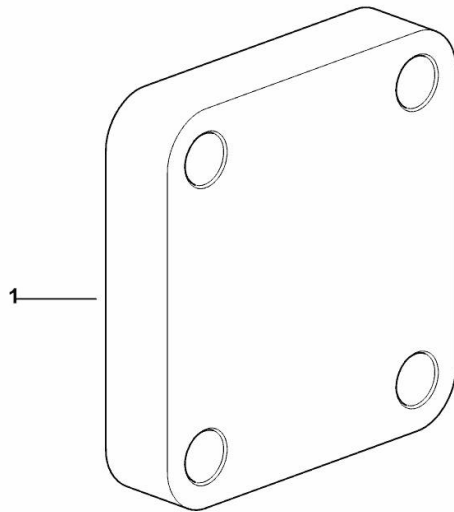
SEPARATOR mm 35

Fig.	P/n	QTY	Name
------	-----	-----	------

Notes:

- FOR MODELS WITHOUT FRONT LIFT [IRON 175 DCR HI-LINE -> 20001]

1	0.015.7283.0	1	spacer mm 35
---	--------------	---	--------------



K9_J6356_01_0-A-001

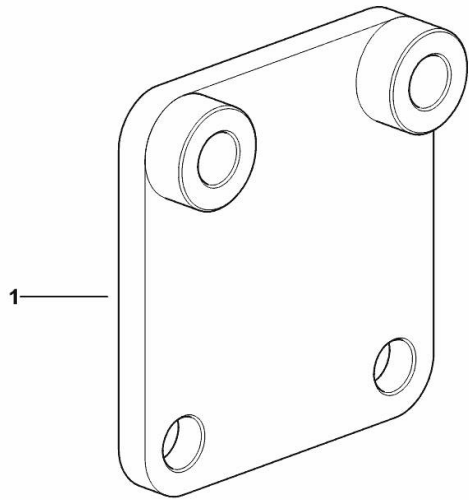
SEPARATOR mm 15

Fig.	P/n	QTY	Name
------	-----	-----	------

Notes:

- FOR MODELS WITH FRONT LIFT [IRON 175 DCR HI-LINE -> 20001]

1	0.015.7285.2	1	spacer mm 15
---	--------------	---	--------------



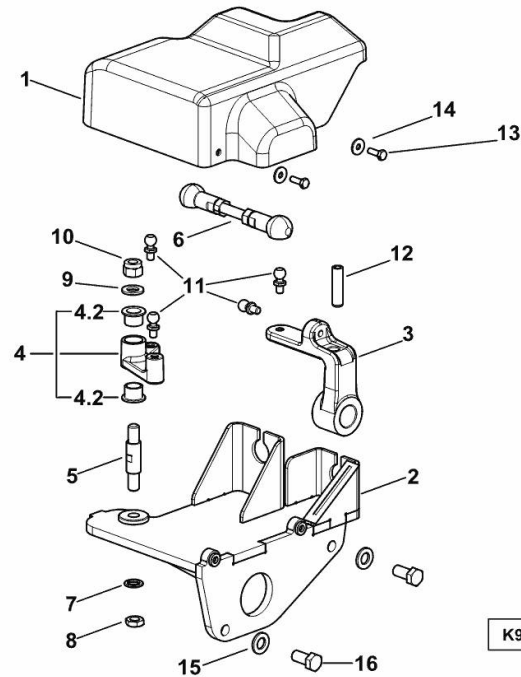
K9_J6356_02_0-A-001

GEAR SHIFTING

Fig.	P/n	QTY	Name
------	-----	-----	------

Notes:

[IRON 175 DCR HI-LINE -> 20001] 20002 <-



1	0.016.3928.0/10	1	cover
2	0.016.5459.2/20	1	support
3	0.016.3972.0/20	1	lever
4	0.016.3962.4	1	lever
4.2	2.1559.276.0/10	2	special bushing 16x20x15
5	0.016.2711.0/10	1	pin
6	0.016.3969.4/10	1	rod
7	2.1474.011.2	1	spring washer 12
8	2.1011.107.2	1	nut m 12 p.1.75
9	2.1310.007.2	1	flat washer 13 x 24
10	2.1120.007.2	1	self-locking nut m 12 p.1.75
11	0.014.1947.0	4	small pin
12	2.1630.916.2	1	pin 12x45
13	2.0112.006.2	2	screw m 6 p.1 x 18
14	2.1312.003.2	2	washer 6
15	2.1475.104.6	2	screw 13 x 24
16	2.0114.409.2	2	screw m 12 x 25

K9_J3164_04_0-A-001

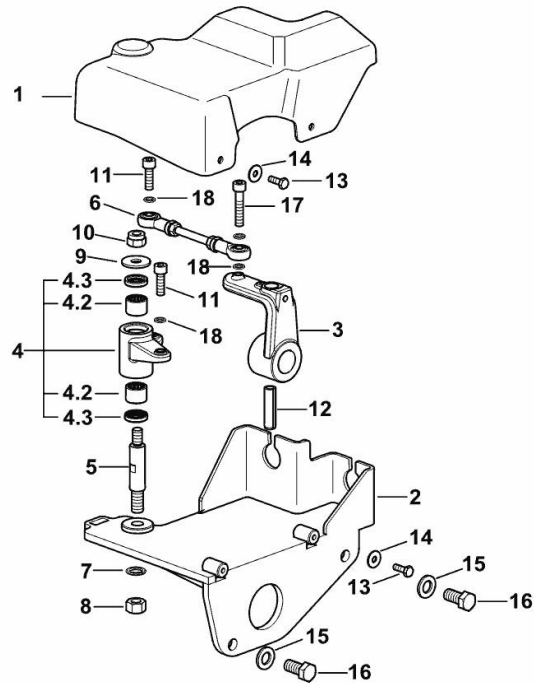
GEAR SHIFTING

Fig.	P/n	QTY	Name
------	-----	-----	------

Notes:

[IRON 175 DCR HI-LINE -> 20001]

1	0.019.4943.0	1	cover
2	0.016.5459.2/20	1	support
3	0.019.5033.0	1	lever
4	0.019.5053.4	1	lever
4.2	2.2725.020.0	2	roller cage 16x22x16
4.3	2.1519.078.0	2	special oil seal 16 x 24 x 6
5	0.016.2711.0/20	1	pin
6	0.019.4543.4	1	stay
7	2.1474.011.2	1	spring washer 12
8	2.1011.107.2	1	nut m 12 p.1.75
9	2.1312.005.2	1	washer 10.2
10	2.1120.006.2	1	nut m 10 p.1.5
11	2.0312.208.2	2	screw m 8 p.1.25 x 25
12	2.1630.916.2	1	pin 12x45
13	2.0112.006.2	2	screw m 6 p.1 x 18
14	2.1312.003.2	2	washer 6
15	2.1475.104.6	2	screw 13 x 24
16	2.0114.409.2	2	screw m 12 x 25
17	2.0312.214.2	1	screw m 8 p.1.25 x 40
18	2.1549.780.2	4	washer



K9_J3164_04_0-A-002

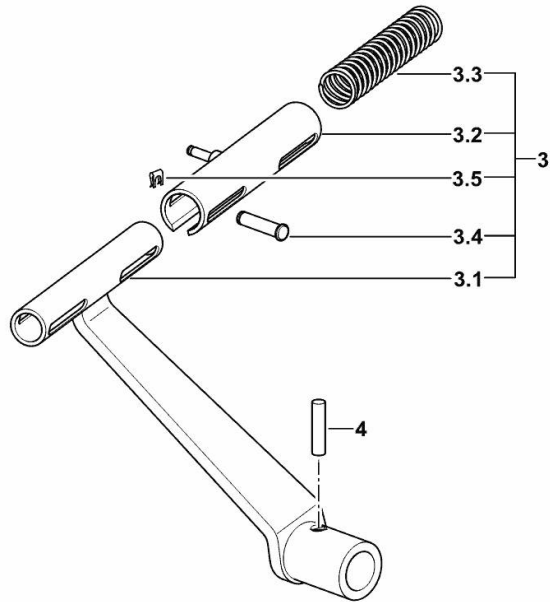
SUPER-REDUCTION CONTROL

Fig.	P/n	QTY	Name
------	-----	-----	------

Notes:

[IRON 175 DCR HI-LINE -> 20001]

3	04415458.4	1	lever
3.1	04414553.4	1	lever
3.2	04414554.4	1	tube
3.3	04414549	1	spring
3.4	04414557	2	pin
3.5	01175655	2	stop
4	2.1630.916.2	1	pin 12x45



K9_D4064_03_0-A-003

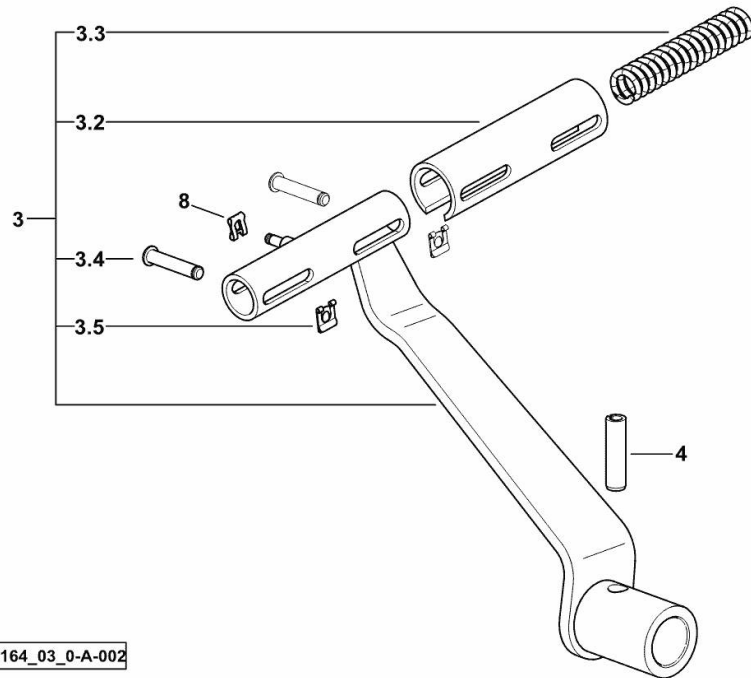
SUPER-REDUCTION CONTROL

Fig.	P/n	QTY	Name
------	-----	-----	------

Notes:

[IRON 175 DCR HI-LINE -> 20001]

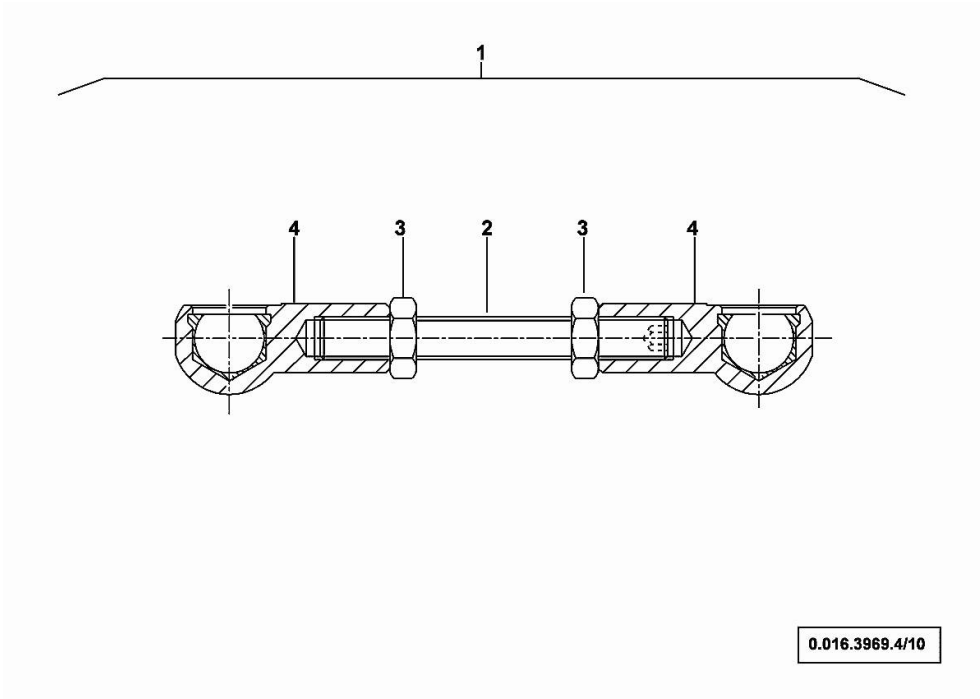
3	0.017.9592.4/10	1	lever
3.2	04414554.4	1	tube
3.3	04414549	1	spring
3.4	04414557	2	pin
3.5	01175655	2	stop
4	2.1630.916.2	1	pin 12x45
8	01175725	1	clip 6, d128



K9_R5164_03_0-A-002

LINKAGE

Fig.	P/n	QTY	Name
1	0.016.3969.4/10	1	rod
2	0.900.1389.8	1	rod
3	0.900.1389.9	2	nut
4	0.900.1390.0	2	tip



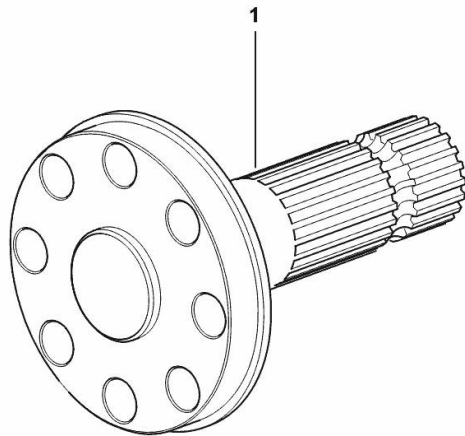
PTO OUTPUT SHAFT Z = 21

Fig.	P/n	QTY	Name
------	-----	-----	------

Notes:

[IRON 175 DCR HI-LINE -> 20001]

1	04413621	1	shaft Z = 21
---	----------	---	--------------



K9_B1636_11_0-A-001

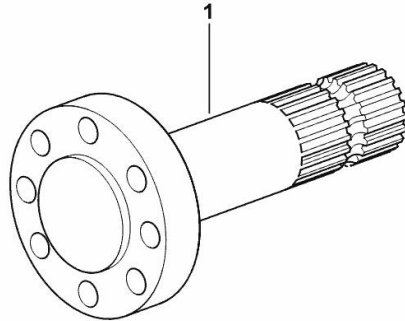
PTO OUTPUT SHAFT 1"3/4, Z = 20

Fig.	P/n	QTY	Name
------	-----	-----	------

Notes:

[IRON 175 DCR HI-LINE -> 20001]

1	04413632	1	shaft 1"3/4, Z = 20
---	----------	---	---------------------



K9_F5336_11_0-A-001

Thank you so much for reading.
Please click the “Buy Now!”
button below to download the
complete manual.



After you pay.

You can download the most
perfect and complete manual in
the world immediately.

Our support email:

ebooklibonline@outlook.com