

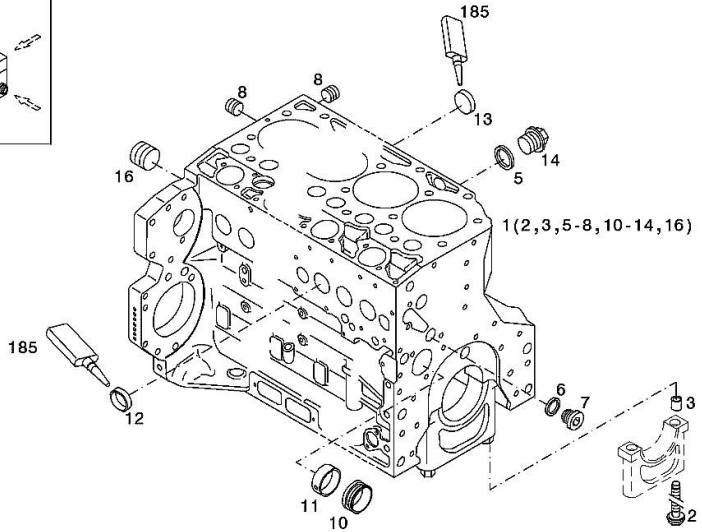
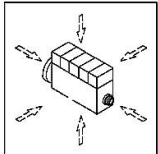
Section: B0 - ENGINE
CRANKCASE

Fig.	P/n	QTY	Name
------	-----	-----	------

Notes:
[Iron 175 HI-LINE DCR]

Engine serial number:
10590509 10709943 10731965 10745051 10763819 10794316 10810824 10812392

1	04296592	1	crankcase WITH POS.... (2,3,5-8,10-14,16)
2	04254240	14	screw
3	04160764	14	bushing
5	01118693	2	gasket 14x20 DIN 7603 -A14X20-CU
6	01101342	1	oil seal DIN 7603 -D22X27-CU
7	04292706	1	plug
8	01182031	2	screw H 2812 -906-M14X1,5-ST-A3C-LOCTITE506
10	04251884	6	plug
11	04250086	1	ring
12	01148032	9	cover DIN 443 -A45-ZNPHR
13	01148031	5	plug DIN 443 -A36-ZNPHR
14	01100940	2	screw DIN 7604 -AM14X1,5-ST-A4C
16	04226536	1	bottom
185	01016125	1	guard H 0699 -DEUTZDW72-250ML



000 ©

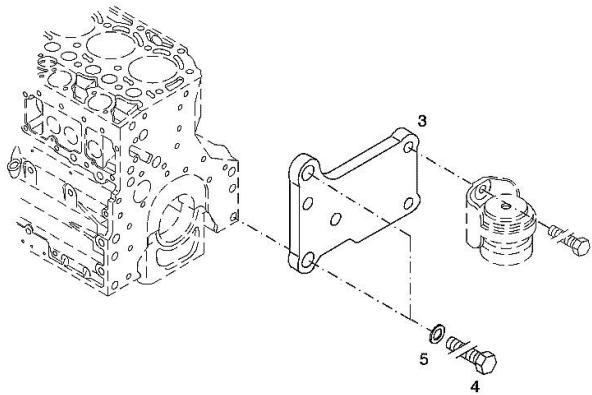
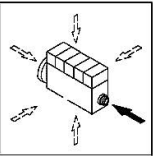
Section: B0 - ENGINE
ACCESSORIES

Fig.	P/n	QTY	Name
------	-----	-----	------

Notes:
[Iron 175 HI-LINE DCR]

Engine serial number:
10590509 10709943 10731965 10745051 10763819 10794316 10810824 10812392

3	04288659	1	support
4	01148261	2	screw ISO 4017 -M16X40-10.9-ZNAL-A
5	01181400	2	washer H 2308 -18X25X1,5-A4C



006 ©

Section: B0 - ENGINE
ACCESSORIES

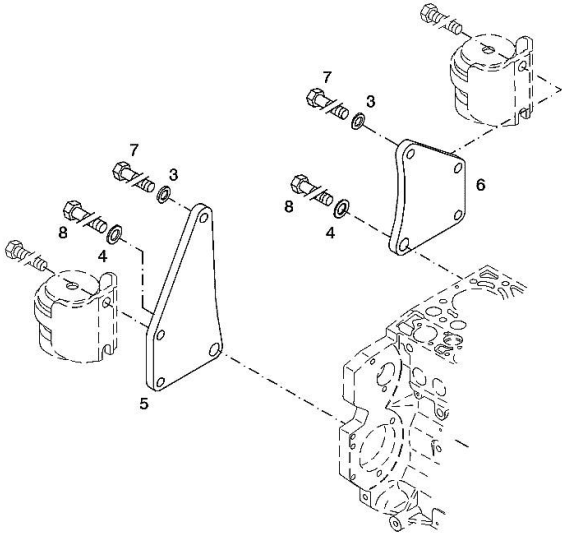
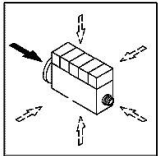
Fig.	P/n	QTY	Name
------	-----	-----	------

Notes:
[Iron 175 HI-LINE DCR]

Engine serial number:
10590509 10709943 10731965 10745051 10763819 10794316 10810824 10812392

3	01182016	2	disc H 2308 -13X24X3-ZNAL-A
4	01181400	2	washer H 2308 -18X25X1,5-A4C
5	04206926	1	plate dx/rh/re
6	04206927	1	plate sx/lh/li
7	01148137	2	screw - UP TO MONTH OF ASSEMBLY (A) - FROM MONTH OF ASSEMBLY SEE POS. (B) A = 06.2009 B = POS. 950 DIN 931 -M12X75-10.9-ZNAL-A
8	01148037	2	screw UP TO MONTH OF ASSEMBLY (A) - FROM MONTH OF ASSEMBLY SEE POS. (B) A = 06.2009 B = POS. 951 ISO 4014 -M16X75-10.9-OELGESCHW
950	01149017	2	screw - FROM MONTH OF ASSEMBLY SEE POS. (B) - UP TO MONTH OF ASSEMBLY (A) FROM MONTH OF ASSEMBLY A = 07.2009 B = 7
951	01180235	2	screw - FROM MONTH OF ASSEMBLY SEE POS. (B) - UP TO MONTH OF ASSEMBLY (A) FROM MONTH OF ASSEMBLY A = 07.2009 B= Pos.8 DIN 34800 -BM12X75-10.9-ZNAL-A H 2032 -HBM16X75-10.9-GESCHW

003 ©



Section: B0 - ENGINE
OIL FILLER NECK

Fig.	P/n	QTY	Name
------	-----	-----	------

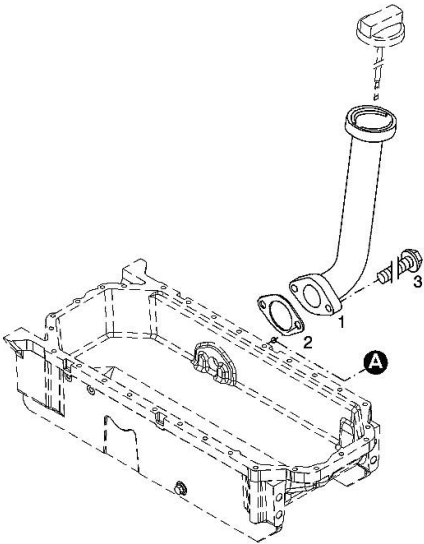
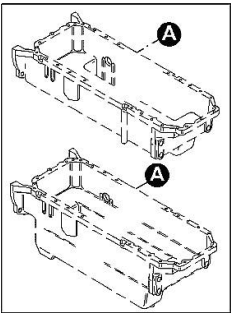
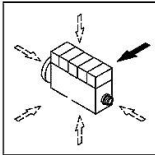
Notes:
[Iron 175 HI-LINE DCR]

Engine serial number:
10590509 10709943 10731965 10745051 10763819 10794316 10810824 10812392

1	04207099	1	tube
2	01178421	1	gasket
3	01181433	2	screw

30 Nm

001 ©



ACCESSORIES

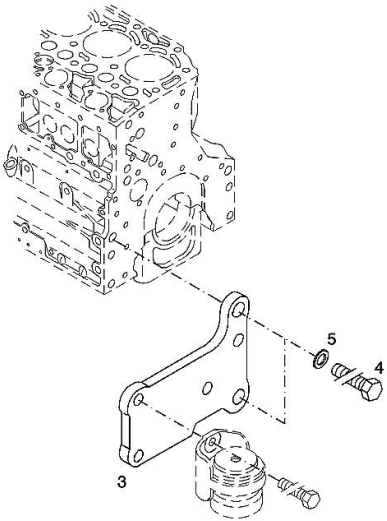
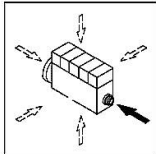
Fig.	P/n	QTY	Name
------	-----	-----	------

Notes:
 [Iron 175 HI-LINE DCR]

Engine serial number:
 10590509 10709943 10731965 10745051 10763819 10794316 10810824 10812392

3	04288660	1	support
4	01148261	2	screw ISO 4017 -M16X40-10.9-ZNAL-A
5	01181400	2	washer H 2308 -18X25X1,5-A4C

003 ©



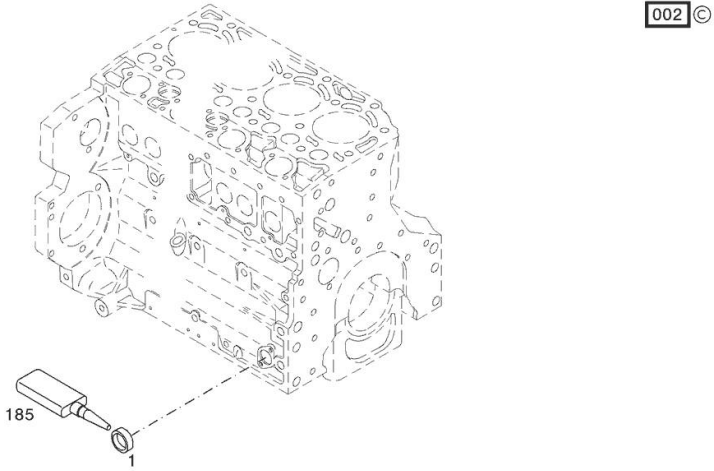
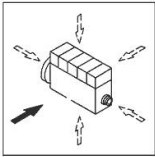
PLUG

Fig.	P/n	QTY	Name
------	-----	-----	------

Notes:

[Iron 175 HI-LINE DCR]

1	01148031	1	plug DIN 443 -A36-ZNPHR
185	01319911	1	sealing compound ml. 50



PISTON COOL.NOZZLE

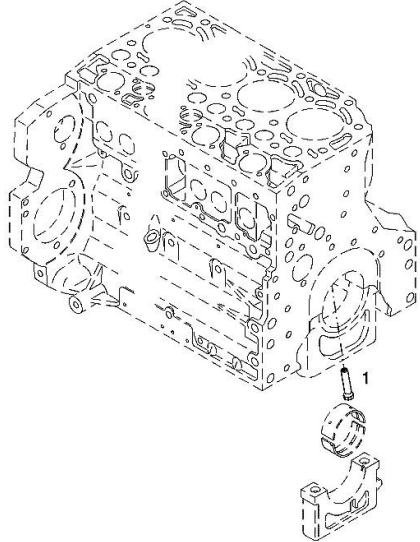
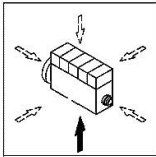
Fig.	P/n	QTY	Name
------	-----	-----	------

Notes:
[Iron 175 HI-LINE DCR]

Engine serial number:
10590509 10709943 10731965 10745051 10763819 10794316 10810824 10812392

1	04207521	1	sprayers
---	----------	---	----------

001 ©



FILLER CAP

Fig.	P/n	QTY	Name
------	-----	-----	------

Notes:

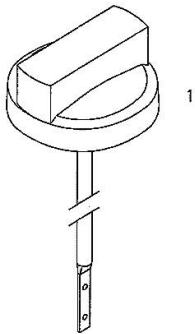
[Iron 175 HI-LINE DCR]

Engine serial number:

10590509 10709943 10731965 10745051 10763819 10794316 10810824 10812392

1	01180341	1	plug H 2875 -B2-OL40-166X4X145X15
---	----------	---	--------------------------------------

000



0507 1179

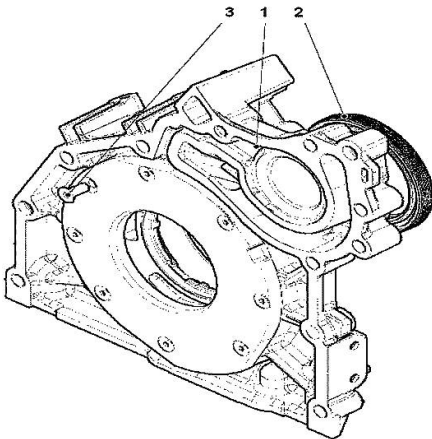
FLANGE

Fig.	P/n	QTY	Name
------	-----	-----	------

Notes:

[Iron 175 HI-LINE DCR]

1	04502445	1	oil pump WITH POS.... (2,3)
2	04502202	1	special oil seal
3	01133718	8	screw 8.5 Nm DIN 7991 -M6X16-8.8-A4C



000

CLOSING COMPONENTS

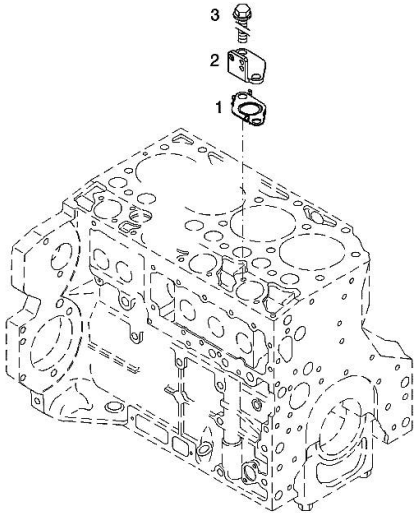
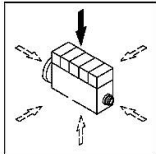
Fig.	P/n	QTY	Name
------	-----	-----	------

Notes:
[Iron 175 HI-LINE DCR]

Engine serial number:
10590509 10709943 10731965 10745051 10763819 10794316 10810824 10812392

1	04292757	1	gasket
2	04292113	1	bracket
3	01181436	2	screw
			EN 1662 -F-M8X16-LG2,5-10.9-ZNAL-A

000 ©



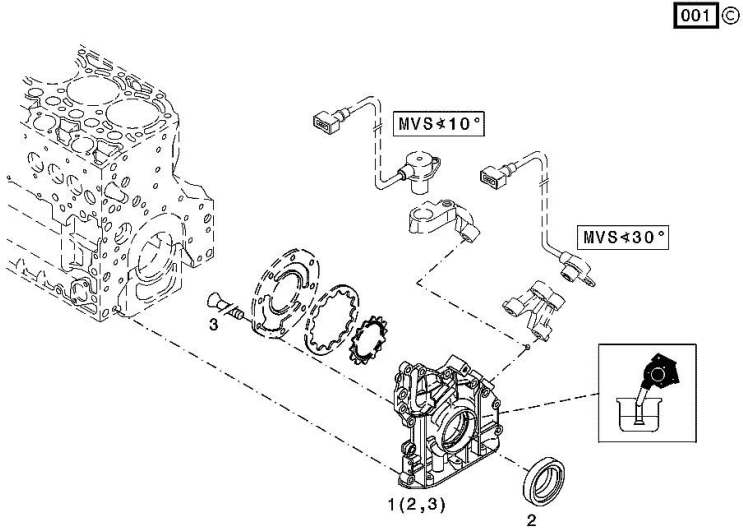
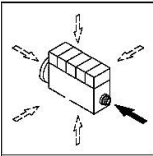
FLANGE

Fig.	P/n	QTY	Name
------	-----	-----	------

Notes:
 [Iron 175 HI-LINE DCR]

Engine serial number:
 10590509 10709943 10731965 10745051 10763819 10794316 10810824 10812392

1	04258382	1	oil pump kpl. WITH POS.... (2,3)
2	04253372	1	oil seal
3	01133718	1	screw DIN 7991 -M6X16-8.8-A4C



Thank you so much for reading.
Please click the “Buy Now!”
button below to download the
complete manual.



After you pay.

You can download the most
perfect and complete manual in
the world immediately.

Our support email:

ebooklibonline@outlook.com