

PLUG

Fig.	P/n	QTY	Name
------	-----	-----	------

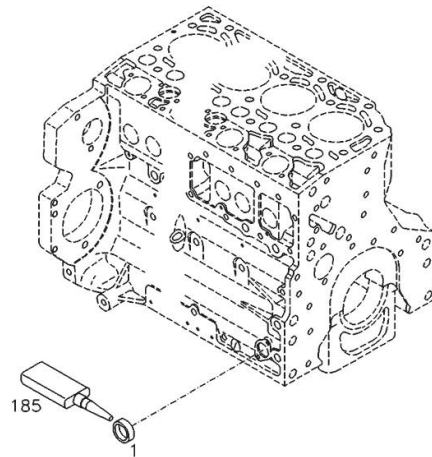
Notes:
[IRON 175 S]

Engine serial number:

790541 790542 790543 830576 830577 830578 830579 830580 830581 835599 835600 835601 837277 837278 860713
860714 860715 860716 860717 860718 863512 863513 863514 863515 863516 877699 898257 898258 946360 946361
946362 946363 946364 946365 946366 946367 946368 946369

1	01179634	1	plug H 2860 -A36-ST-FE/ZNPHR
185	01016127	1	sealing compound ml. 50 H 0699 -DEUTZDW72-50ML

001



Section: ENGINE
FASTENINGS

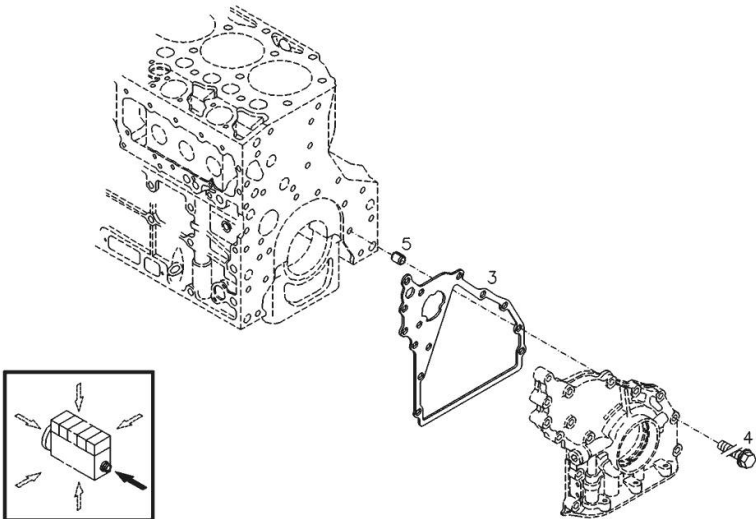
Fig.	P/n	QTY	Name
------	-----	-----	------

Notes:
 [IRON 175 S]

Engine serial number:
 790541 790542 790543 830576 830577 830578 830579 830580 830581 835599 835600 835601 837277 837278 860713
 860714 860715 860716 860717 860718 863512 863513 863514 863515 863516 877699 898257 898258 946360 946361
 946362 946363 946364 946365 946366 946367 946368 946369

3	04204450	1	gasket
4	01143362	14	screw EN 1662 -F-M8X35-10.9-A4C
5	01181406	1	bushing H 2341 -B11X8-FE/ZN12C*

001



0507 0361

Section: ENGINE

OIL PRESSUR.SWITCH

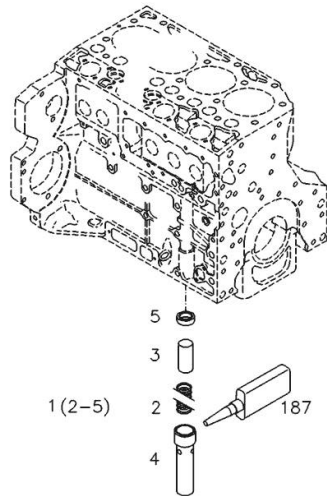
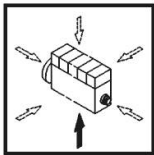
Fig.	P/n	QTY	Name
------	-----	-----	------

Notes:
[IRON 175 S]

Engine serial number:

790541 790542 790543 830576 830577 830578 830579 830580 830581 835599 835600 835601 837277 837278 860713
860714 860715 860716 860717 860718 863512 863513 863514 863515 863516 877699 898257 898258 946360 946361
946362 946363 946364 946365 946366 946367 946368 946369

1	04207119	1	valve WITH ITEM (2-5)
2	04200782	1	spring
3	04207120	1	piston
4	04207121	1	spacer
5	04201794	1	ring
187	01016123	1	small plate H 0699 -DEUTZDW71-50ML



002 ©

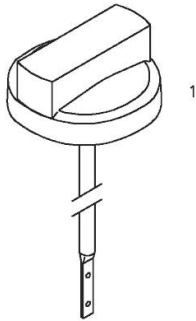
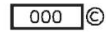
FILLER CAP

Fig.	P/n	QTY	Name
------	-----	-----	------

Notes:
[IRON 175 S]

Engine serial number:
790541 790542 790543 830576 830577 830578 830579 830580 830581 835599 835600 835601 837277 837278 860713
860714 860715 860716 860717 860718 863512 863513 863514 863515 863516 877699 898257 898258

1	01180286	1	plug H 2875 -B2-OL40-166X4-130X12
---	----------	---	--------------------------------------



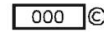
Section: ENGINE

OIL FILLER NECK

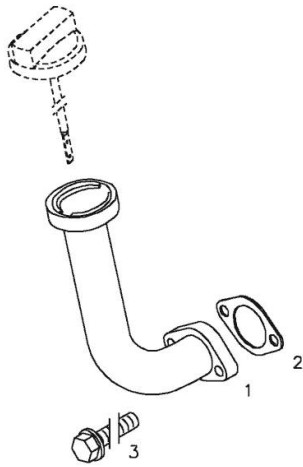
Fig.	P/n	QTY	Name
------	-----	-----	------

Notes:
[IRON 175 S]

Engine serial number:
790541 790542 790543 830576 830577 830578 830579 830580 830581 835599 835600 835601 837277 837278 860713
860714 860715 860716 860717 860718 863512 863513 863514 863515 863516 877699 898257 898258 946360 946361
946362 946363 946364 946365 946366 946367 946368 946369



1	04207099	1	tube
2	01178421	1	gasket
3	01181433	2	screw



Section: ENGINE

CRANKCASE BREATHER

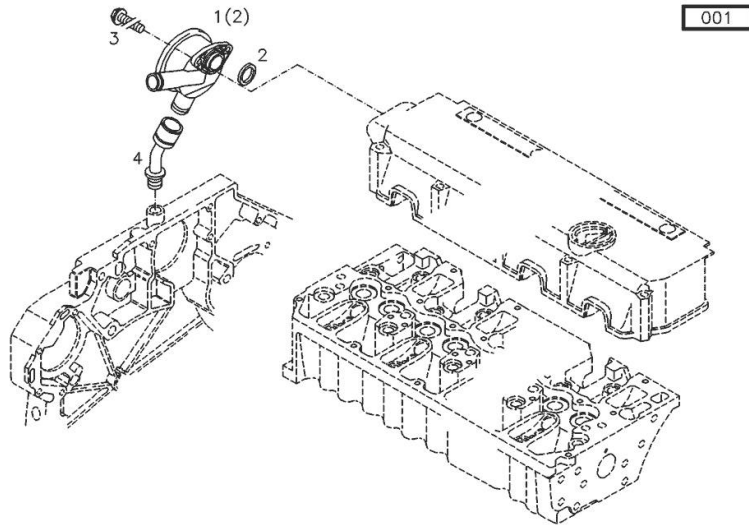
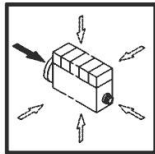
Fig.	P/n	QTY	Name
------	-----	-----	------

Notes:
[IRON 175 S]

Engine serial number:

790541 790542 790543 830576 830577 830578 830579 830580 830581 835599 835600 835601 837277 837278 860713
860714 860715 860716 860717 860718 863512 863513 863514 863515 863516 877699 898257 898258 946360 946361
946362 946363 946364 946365 946366 946367 946368 946369

1	04207651	1	valve WITH ITEM (2)
2	04207649	1	ring
3	01180218	2	screw EN 1662 -F-M6X20-10.9-GESCHW
4	04207290	1	pipng



Section: ENGINE

BLEEDING TUBE

Fig.	P/n	QTY	Name
------	-----	-----	------

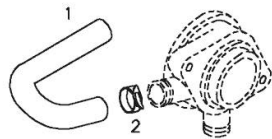
Notes:
[IRON 175 S]

Engine serial number:

790541 790542 790543 830576 830577 830578 830579 830580 830581 835599 835600 835601 837277 837278 860713
860714 860715 860716 860717 860718 863512 863513 863514 863515 863516 877699 898257 898258

1	04198572	1	tube
2	01178750	3	clamp
			DIN 003021-A- 29X15

001 ©



Section: ENGINE

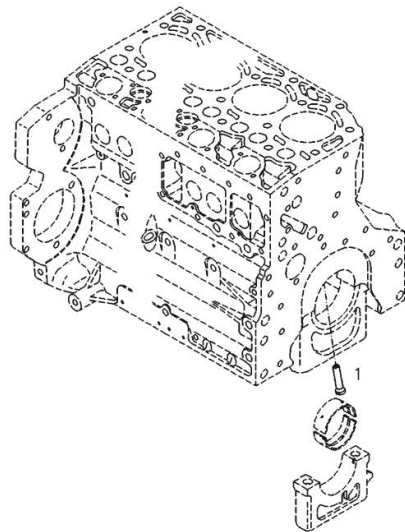
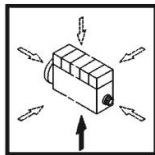
PISTON COOL.NOZZLE

Fig.	P/n	QTY	Name
------	-----	-----	------

Notes:
[IRON 175 S]

Engine serial number:
790541 790542 790543 830576 830577 830578 830579 830580 830581 835599 835600 835601 837277 837278 860713
860714 860715 860716 860717 860718 863512 863513 863514 863515 863516 877699 898257 898258

1	04207521	1	sprayers
---	----------	---	----------



001 ©

0507 2355

Section: ENGINE

FRONT COVER

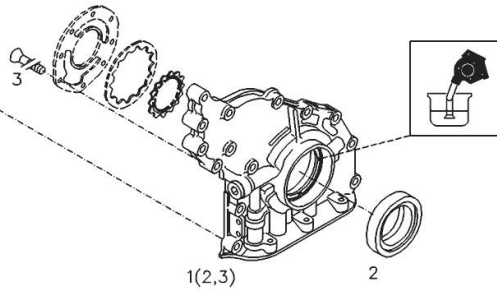
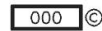
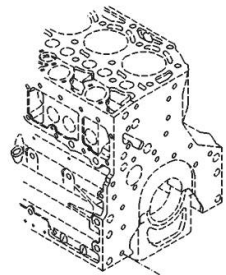
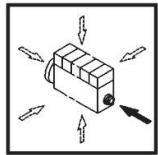
Fig.	P/n	QTY	Name
------	-----	-----	------

Notes:
[IRON 175 S]

Engine serial number:

790541 790542 790543 830576 830577 830578 830579 830580 830581 835599 835600 835601 837277 837278 860713
860714 860715 860716 860717 860718 863512 863513 863514 863515 863516 877699 898257 898258 946360 946361
946362 946363 946364 946365 946366 946367 946368 946369

1	04259226	1	cover WITH ITEM (2,3)
2	04253373	1	oil seal
3	01133718	8	screw DIN 7991 -M6X16-8.8-A4C



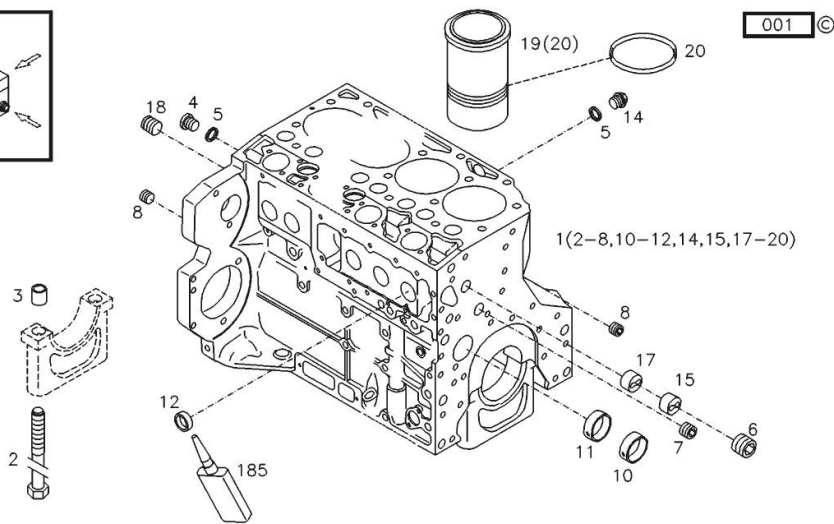
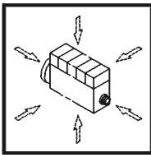
Section: ENGINE
CRANKCASE

Fig.	P/n	QTY	Name
------	-----	-----	------

Notes:
 [IRON 175 S]

Engine serial number:
 790541 790542 790543

1	04282826	1	crankcase WITH ITEM (2-8,10-12,14,15,17-20)
2	04251254	14	screw
3	04200078	14	bushing
4	01110423	2	screw DIN 908 -M14X1,5-ST-ZNPHRF
5	01118693	4	gasket 14x20 DIN 7603 -A14X20-CU
6	01180890	1	screw H 2812 -906-M30X1,5-ST-A4C-PRE80
7	01180906	1	screw H 2812 -906-M22X1,5-ST-A4C-PRE80
8	01180891	2	screw H 2812 -906-M14X1,5-ST-A4C-PRE80
10	04200021	6	bushing
11	04200022	1	bushing
12	01179635	10	plug H 2860 -A45-ST-FE/ZNPHR
14	01100940	2	screw DIN 7604 -AM14X1,5-ST-A4C
15	04202518	1	sleeve
17	04202517	1	sleeve
18	01182030	1	screw H 2812 -2838-M22X1,5-ST-LOCTITE5061*
19	04253772	6	engine cylinder WITH ITEM (20)
20	01181178	2	special oil seal H 2927 -112X3,0-FPM-2-70
185	01016127	1	sealing compound ml. 50 H 0699 -DEUTZDW72-50ML



0507 8102

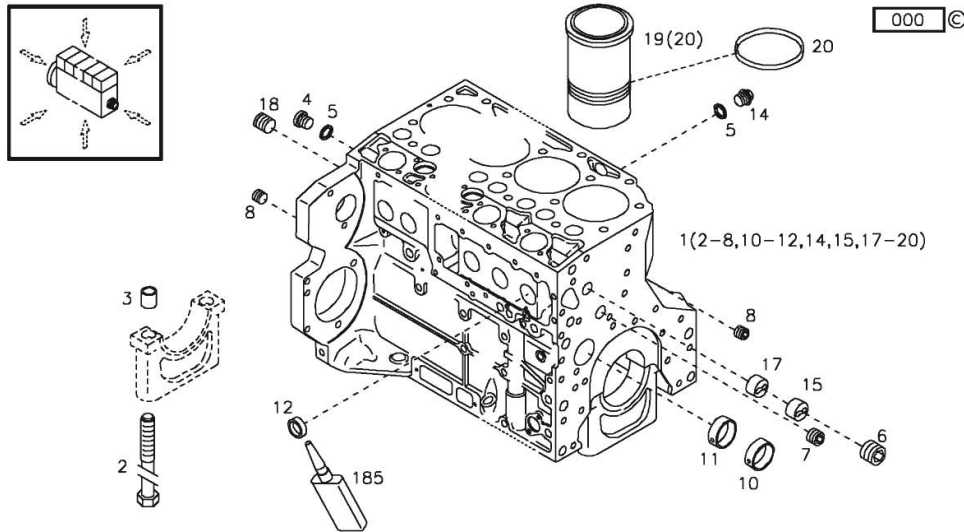
Section: ENGINE
CRANKCASE

Fig.	P/n	QTY	Name
------	-----	-----	------

Notes:
 [IRON 175 S]

Engine serial number:

830576 830577 830578 830579 830580 830581 835599 835600 835601 837277 837278 860713 860714 860715 860716
 860717 860718 863512 863513 863514 863515 863516 877699 898257 898258 946360 946361 946362 946363 946364
 946365 946366 946367 946368 946369



1	04282827	1	crankcase WITH ITEM (2-8,10-12,14,15,17-20)
2	04251254	14	screw
3	04200078	14	bushing
4	01110423	2	screw
5	01118693	4	gasket 14x20
6	01182033	1	screw
7	01182032	1	screw
8	01182031	2	screw
10	04200021	6	bushing
11	04200022	1	bushing
12	01179635	10	plug
14	01100940	2	screw
15	04202518	1	sleeve
17	04202517	1	sleeve
18	01181155	1	plug
19	04282014	6	cylinder liner WITH ITEM (20) 032 (021-025,031,141)
20	01181178	12	special oil seal
185	01016127	1	sealing compound ml. 50

Thank you so much for reading.
Please click the “Buy Now!”
button below to download the
complete manual.



After you pay.

You can download the most
perfect and complete manual in
the world immediately.

Our support email:

ebooklibonline@outlook.com